

BLANCO AVONA

Item No. BM3115CH



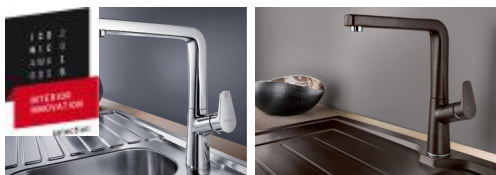
metallic surface
High Pressure

Pros



Fusion of forms

- Exciting interplay between round and rectangular shapes
- Tapering body, gentle incline in spout



Colours



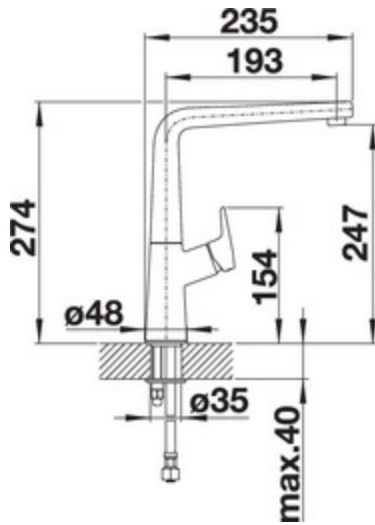
Available colours



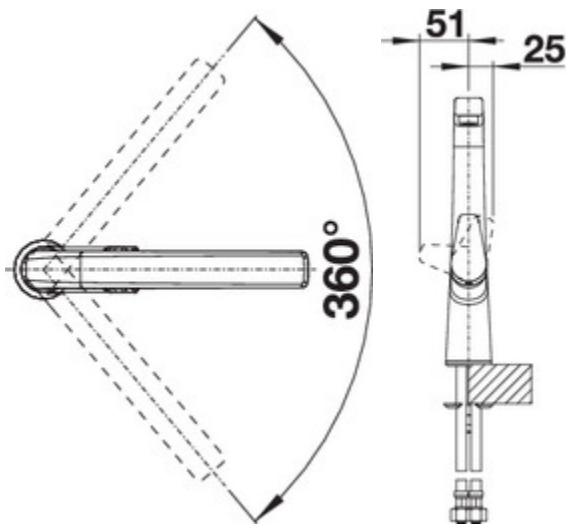
chrome

metallic surface
Item No. BM3115CH
High Pressure

Details



Side View



Swivelling

Scope of supply

- Spout can be swivelled by 360°
- High drill hole of 35 mm diameter required
- with ceramic disk cartridge
- Flexible connector pipes, 450 mm long and 3/8" nut for particularly easy installation
- Patented jet regulator for markedly reduced scaling
- Stabilisation plate to increase the stability of the tap when fitted in stainless steel sinks
- Applied for LGA certificate
- Applied for DVGW certificate

Please note:

Requires a balanced high pressure supply only, min 2.0 bar,
preferred 2.0 - 2.5 bar

3/8 BSP connectors required (not supplied)

Height: 274

Reach: 193

Base: 48

Tap hole: ø35

German warehouse stock.

Allow 10 working days."

BLANCO UK Limited

Tel: 01923 635200

Fax: 0800 0911608

› www.blanco.co.uk