

# 10' Teak Market Umbrella

(Assembly & Operational Instructions)

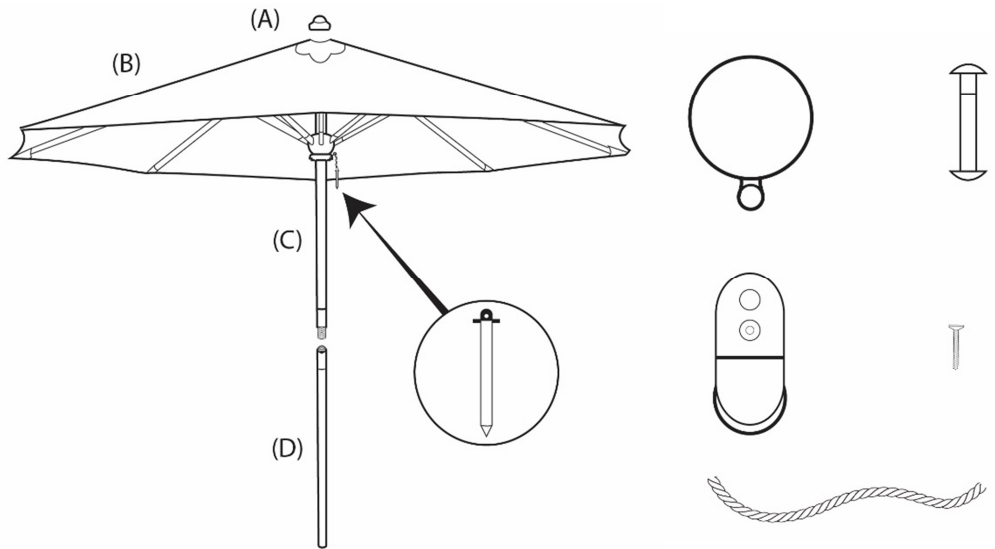
## Tools Required:

- You will need a Flat Head and a #1 Robertson Screwdriver (optional: hammer)

NOTE: 2 people are required for assembly and installation

## Package Contents:

- (A) Cap ... 1
- (B) Canopy ...1
- (C) Umbrella Cage & Upper Pole...1
- (D) Lower Pole ...1
- Brass Pin ... 1

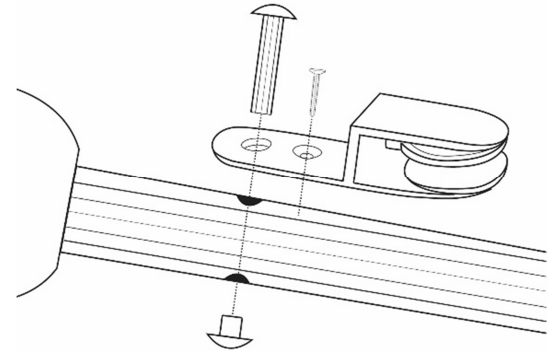


## Hardware Pack:

- Brass Ring ...1
- Pulley Fitting ...1
- Fitting Bolt ...1
- Small Screw ... 1
- Rope ... 1

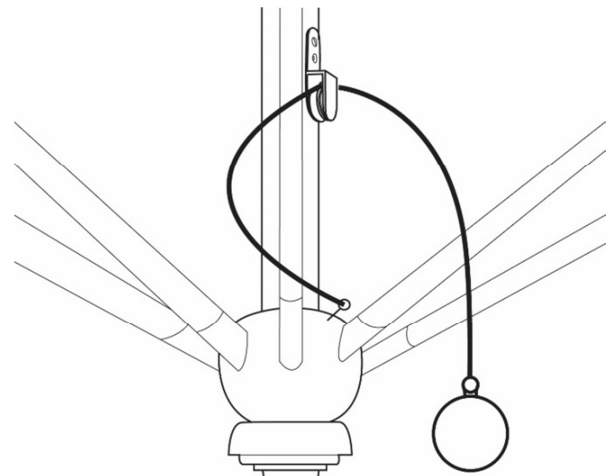
## STEP 1. Connect Pulley Fitting

- Locate the upper most hole on the upper pole and attach pulley fitting with fitting bolt
- Attach pulley fitting with small screw through smaller hole on pulley fitting



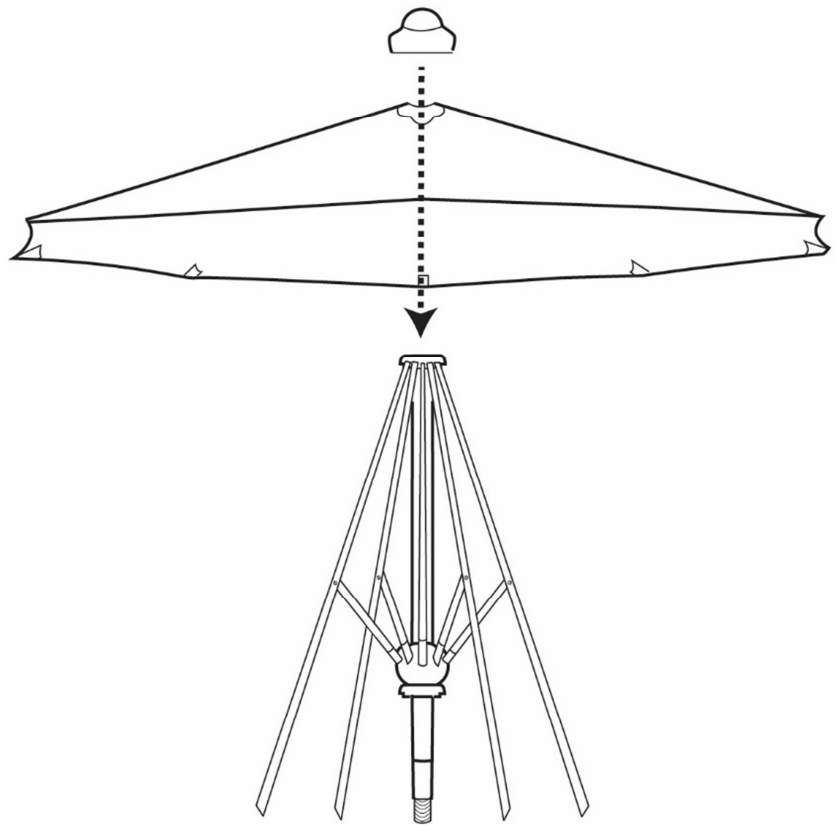
## STEP 2. Attach Pulley Rope

- Tie one end of Rope to brass eyelet on the umbrella hub
- Feed free end of the rope through Pulley Fitting, then tie to the small hole on the Brass Ring



## STEP 3. Install Canvas

- Unscrew cap from top of umbrella cage
- Unfold umbrella cage so it stands on its own
- Put canopy over umbrella cage and re-attach cap
- Fit spokes into canopy pockets
- Screw upper and lower poles together



## Operational Instructions

- Stand umbrella upright
- Have 2<sup>nd</sup> person pull downward on the brass ring to raise the sliding hub extending umbrella cage spokes
- Have 1<sup>st</sup> person assist by pushing the sliding hub upward

*Note: After the umbrella is used numerous times the fabric will stretch and become easier to raise*

- Locate the two pin holes on the upper pole: once the bottom of the sliding hub passes either hole use brass pin to lock into place (tap pin into place with hammer if required)
- Secure umbrella to ground anchor or table, and enjoy!

