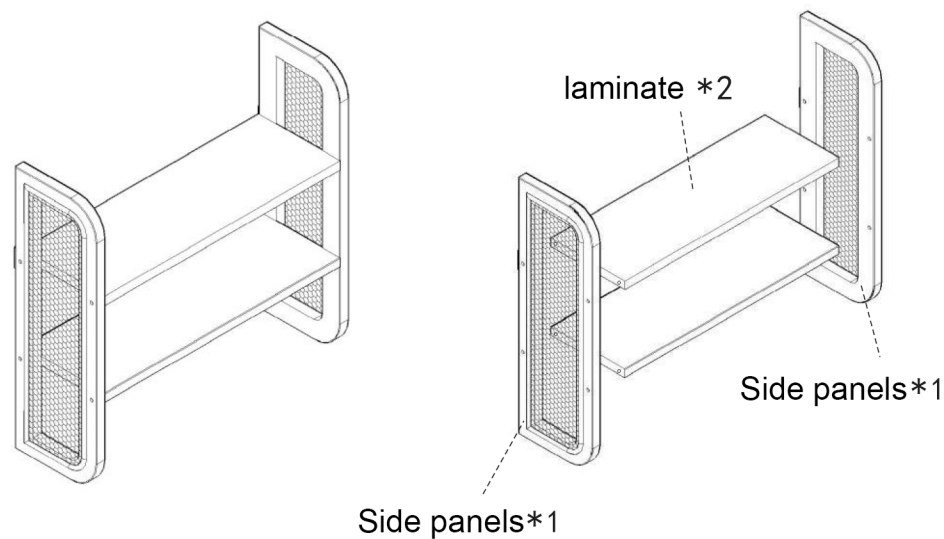


Instruction Manual

This picture is for reference only, the actual product shall prevail.
Please read this instruction manual carefully before assembly and operation.
Please install and use it correctly according to the instruction manual.



Product specifications: 17.12*5.51*16.54inches

Hard ware					Your own:
	A	B	C	D	

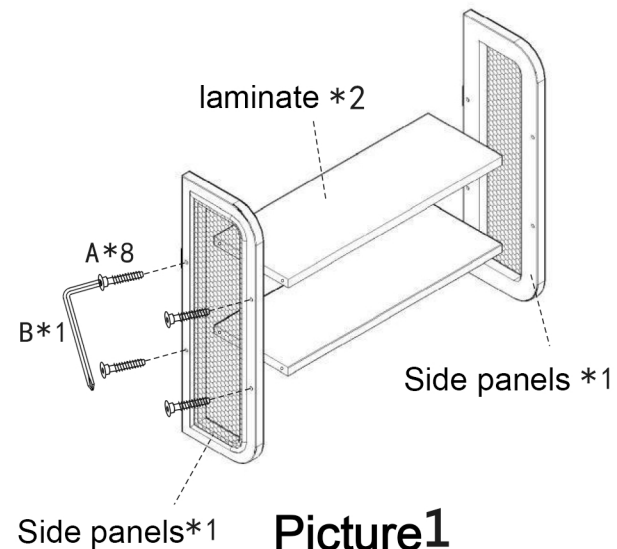
Attention!

Only adults are allowed to install, keep away from children!

CAUTIONS:

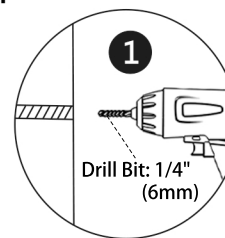
1. This product contains sharp parts. Please do not let children touch it.
2. If there are any missing parts, please contact us in time.

Installation

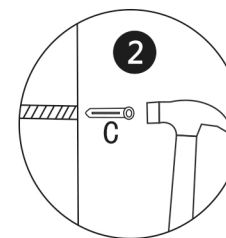


Picture 1

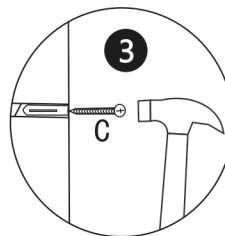
As shown in Figure 1: Use accessories to connect the panels to the laminates.



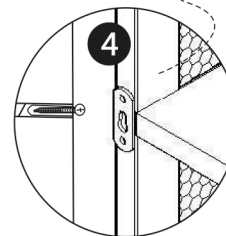
① Drill 6 mm holes



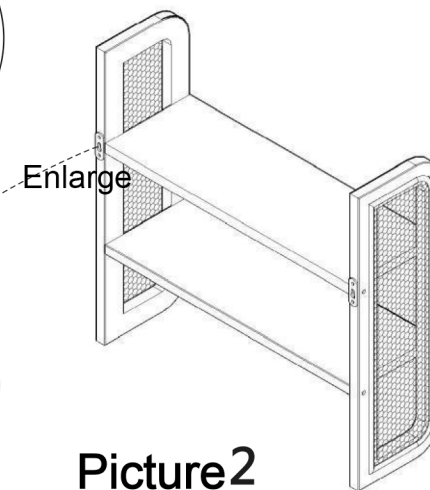
② Knock on the wall plug



③ Tighten the screws



④ Hang the wall rack and fasten it



Picture 2