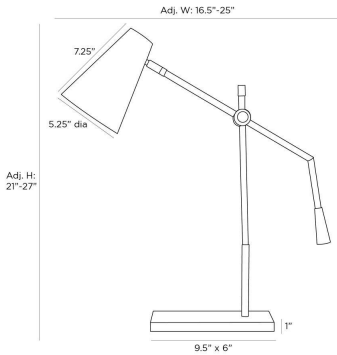


ARTERIOS

WAYNE LAMP



PDC02
D: 6 IN,
Antique Brass, Steel

Our Wayne suspension task lamp is designed with a conical shade in matte cream enamel and an articulating brass steel arm. The mod illuminator is accented with matching cream enamel, which caps the end of the arm and encircles the lamp's tubular frame at the top and at the base. The shade pivots, casting directional light where you need it.

APPEARANCE

| | |
|------------------|-----------------------------|
| Material | Steel |
| Finish | Antique Brass, Cream, White |
| Top Coat/Sealant | Yes |

DIMENSIONS

| | |
|--------------------|-----------------------------|
| Base | H: 1 IN, W: 9.5 IN, D: 6 IN |
| Foot Print | W: 9.5 IN, D: 6 IN |
| Overall Adjustable | H: 21-27 IN, W: 16.5-25 IN |
| Shade | H: 7.25 IN, Dia: 5.25 IN |

WIRING

| | |
|--------------|--------------------------------------|
| Rating | Indoor Only |
| Tilt Test | 10 Degrees - AU |
| Cord | 8 FT, Exits Arm, Taupe Fabric, SPT-2 |
| Socket | 1, Type A - E26 |
| Switch | On Line, Full Range Dimmer |
| Maximum Watt | 40 |
| Voltage | 110-120 V |

CERTIFICATIONS

| | |
|----------------|-------------------------------|
| Certifications | Mexico, United States, Canada |
|----------------|-------------------------------|

COMPLIANCY

| | |
|--------|-----|
| UL/ETL | Yes |
| RoHS | Yes |

SHIPPING

| | |
|----------------|-------------------------------------|
| Product Weight | 10 lbs |
| Gross Weight 1 | 13 lbs |
| Gross Weight 2 | 0 lbs |
| Shipping Box 1 | H: 12.4 IN, L: 8.46 IN, W: 32.08 IN |

ADDITIONAL INFO

| | |
|-------------|-------|
| Shade Shape | Round |
| Shade Type | Other |

CONTRACT

| | |
|-------------------|-----|
| Contract Suitable | Yes |
|-------------------|-----|