

Ultima Selectronic® Exposed Urinal Flush Valve Piston-Type

Battery-Powered, 1-1/4" Top Spud, 1.0 gpf / 3.8 Lpf



GENERAL DESCRIPTION:

Exposed, Battery Powered, Sensor Operated Selectronic® Urinal Flush Valve for 1-1/4" top spud urinals.

PRODUCT FEATURES:

- **Automatic Touchless Operation** limits the spread of germs
- **Factory-Installed CR-P2 Lithium Battery**
- **Patent-pending DynaClean®** wiper spring technology significantly reduces maintenance and downtime.
- **Self-cleaning** wiper spring cleans the refill orifice with every flush; prevents valve run-on from clogging
- **State-of-the-Art Electronics** prevent ghost flushing
- **Proprietary dezincification-resistant brass alloy**
- **Fully Mechanical Manual Override Button** can flush the valve without power
- **Fail-Safe:** Valve automatically closes upon loss of power or water pressure and does not need to be reset
- **Adjustable Sanitary Flush** cleans the fixture & maintains the trap seal.
- **Stadium Feature:** Valve automatically switches to water savings mode during periods of heavy usage
- **Chemical Resistant EPDM Seals** for extended life
- **High Back Pressure Vacuum Breaker**
- **Adjustable Tailpiece**
- **Range can be adjusted manually or with optional remote control**
- **No external volume adjustment.**
- **Can be installed left or right handed**

MODEL NUMBER:

- ☐ **6062601.002** Flush Valve for 1-1/4" top spud urinals, 1.0 gpf / 3.8 Lpf.

Inlet includes 1" I.P.S. angle stop with back-flow protection, vandal-resistant cap, sweat solder kit, cover tube and wall flange.

Outlet includes 1-1/4" vacuum breaker with adjustable tailpiece, spud coupling and flange.

OPERATING PRESSURE:

25 psi (flowing)-80 psi (static)

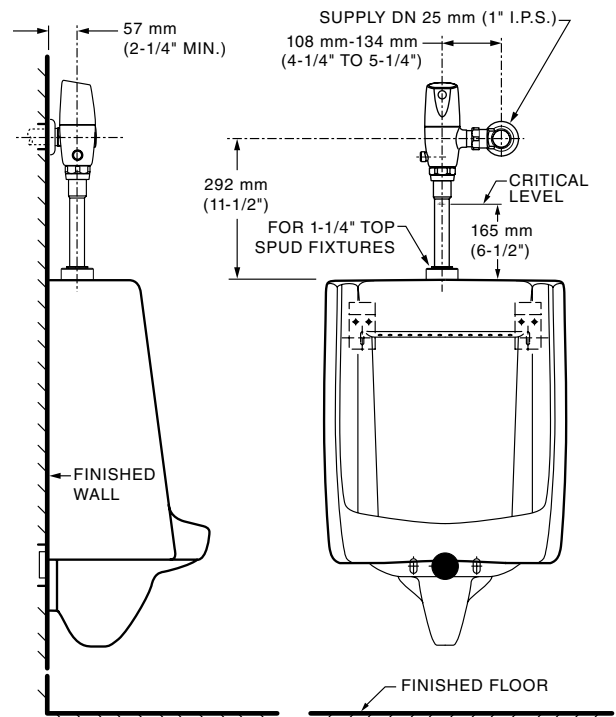
FLOW REQUIREMENT:

10gpm (37.9 L/min.)

BATTERY LIFE:

384,000 cycles (8 years at 4,000 flushes per month)

TYPICAL URINAL INSTALLATION: LYNBROOK URINAL SHOWN



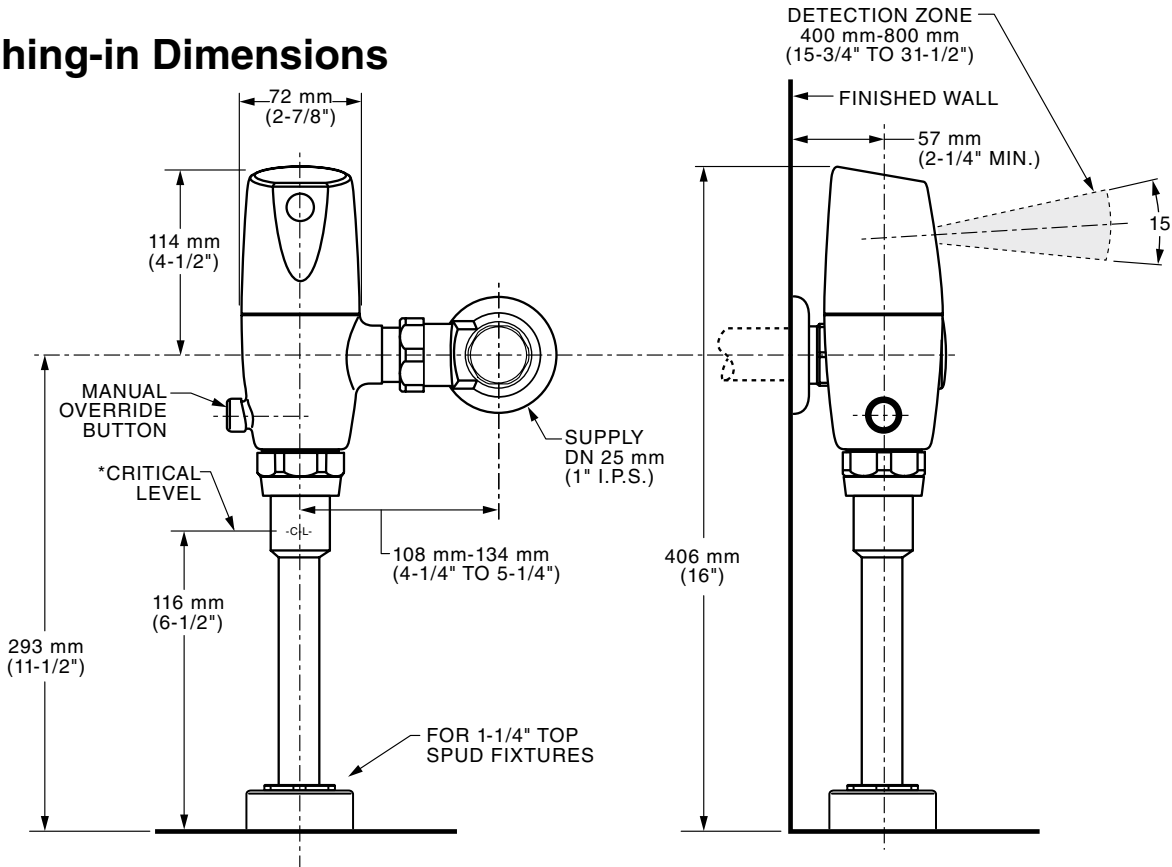
RECOMMENDED SPECIFICATION:

Electronic proximity infrared sensor activated urinal flush valve shall feature DynaClean® self-cleaning piston valve with integral wiper spring in refill orifice to prevent clogging.. Includes a fully mechanical manual over-ride that can provide a complete flush without battery power. Includes cast brass valve body and metal cover with chrome finish, vandal resistant stop cap and lithium battery. 1" Angle stop with back-flow protection and 1-1/4" vacuum breaker included. 1.0 gpf / 3.8 Lpf Flush valve shall be American Standard Model # 6062601.002.

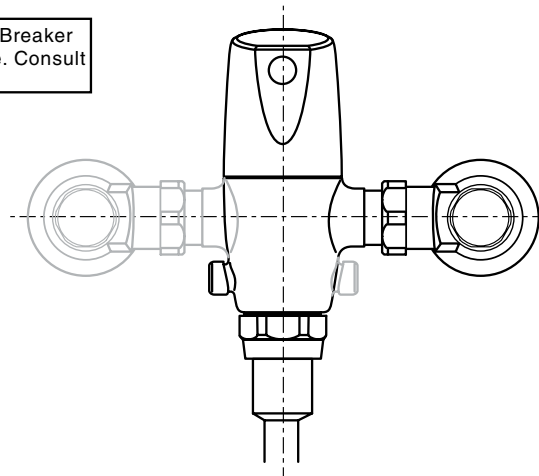
LISTINGS:

- ASSE 1037
- ANSI/ASME A112.19.2
- ADA Compliant

Roughing-in Dimensions



*Note: The Critical Line (-C-L-) on Vacuum Breaker must typically be 6" (152 mm) above fixture. Consult Codes for details.



Right or Left Hand Installation