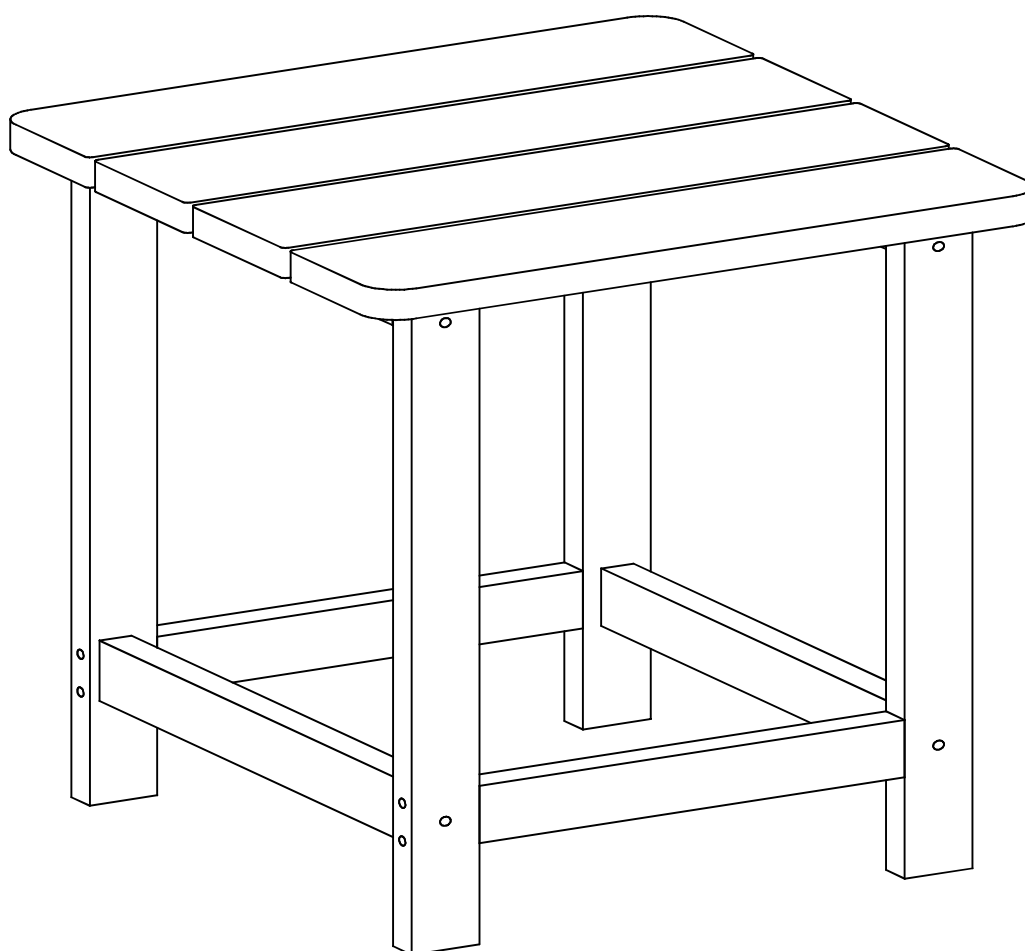


Accent table

Installation Guide



WARNINGS

THIS ITEM IS INTENDED FOR OUTDOOR DOMESTIC USE ONLY, NOT FOR COMMERCIAL USE.

Do not discard any of the packaging until you have checked that you have all the parts and pack of fittings.

Keep children away during assembly. This item contains small parts which can be swallowed by children.

Children should always be under direct adult supervision while using the product.

Retain the assembly instructions for future reference.


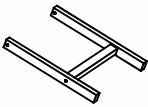
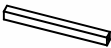
- Please do not exceed the weight limitations of this item.
- Do not stand on or use any part of this item as a step ladder
- Firmly secure all bolts, screws, and nuts before use.
- Reconfirm that all bolts, screws and nuts are secure every 90days.
- Do not use or store this item in the proximity of open flame or flammable/combustible chemicals.
- Be care that some parts are heavy and have sharp edges


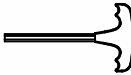
CARE AND MAINTENANCE

Wipe with damp cloth and mild soap,Collapse and store away when not in use.

Do not use abrasive materials, cleansers or bleach products

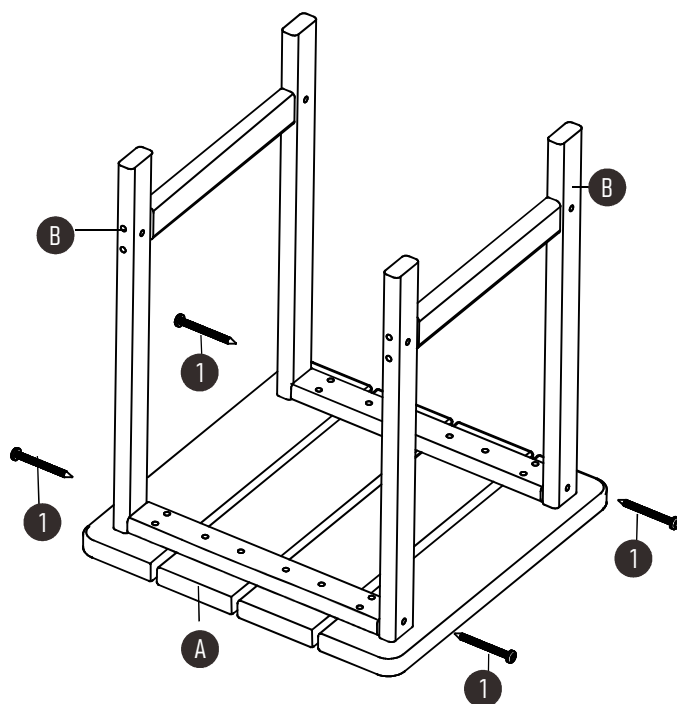
PARTS LIST

Parts	Desc	Qty
A		1
B		2
C		2

Parts	Desc	Qty
1	 M6*40mm	8
2		1

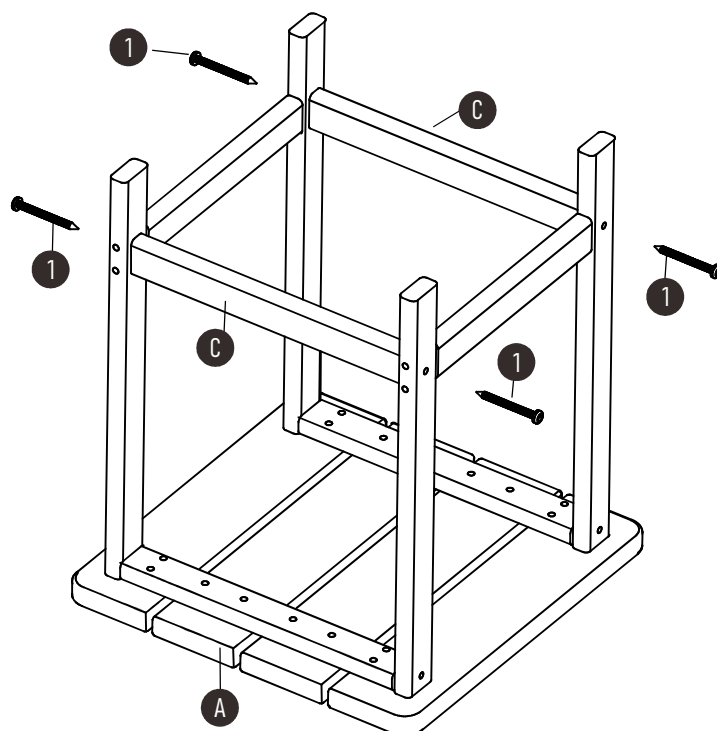
Assembly

1



Attach the both side of the table leg(B) to the table top(A) with bolt(1).

2



Attach the both side of the table support (C) to the table leg(B) with bolt(1).