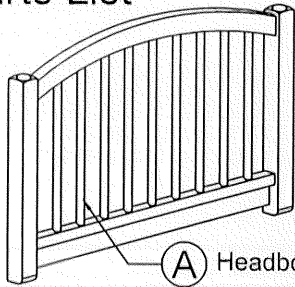


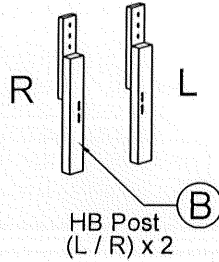
Single Bed Headboard Only

Assembly Instruction

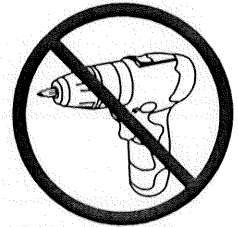
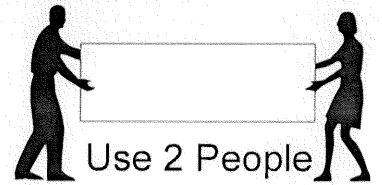
1 Parts List



(A) Headboard Panel x 1



HB Post (L / R) x 2



2 Hardware List



(1) M6 x 50mm JCBC X 6



(2) M6 x 20mm JCBC X 4



(3) Spring Washer X 10



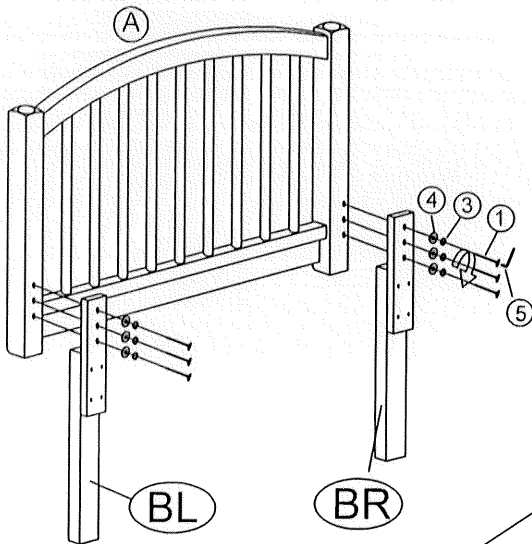
(4) Flat Washer X 10

Note: Do not assemble using power tools. This can cause the bolts to be overtightened

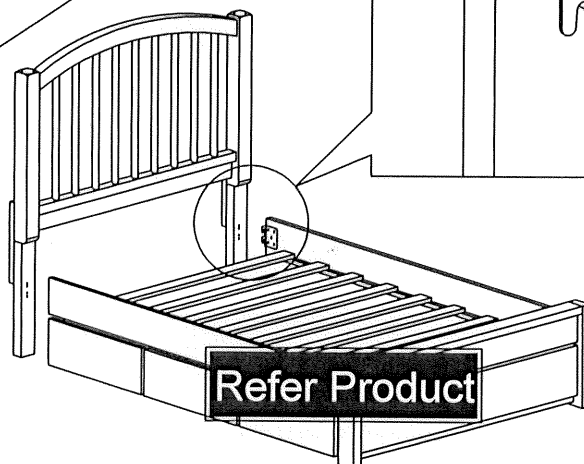


(5) M4 Allen Key X 1

3



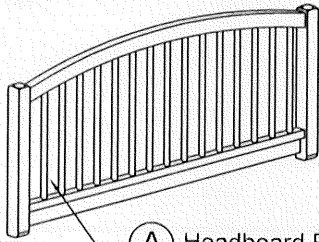
4



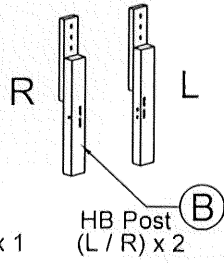
Full / Queen Headboard Only

Assembly Instruction

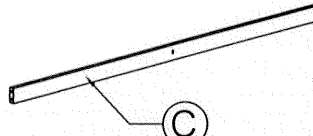
1 Parts List



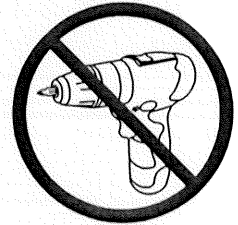
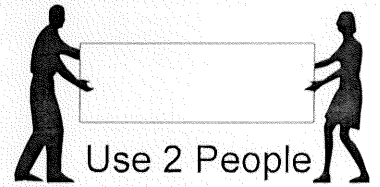
(A) Headboard Panel x 1



HB Post (L / R) x 2



(C) Headboard Support x 1



2 Hardware List



(1) M6 x 90mm JCBC X2



(2) M6 x 50mm JCBC X6



(3) M6 x 20mm JCBC X4



(4) Wood Dowel (M10X40mm) X 2



(5) Spring Washer X 10

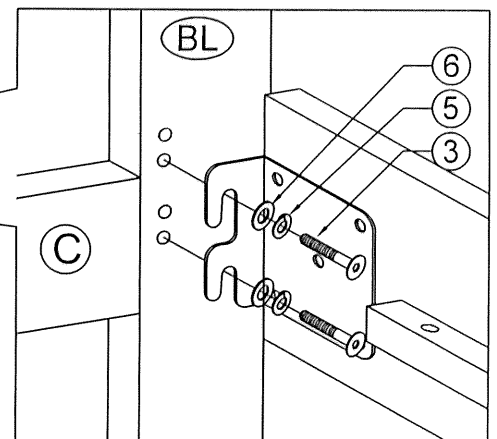
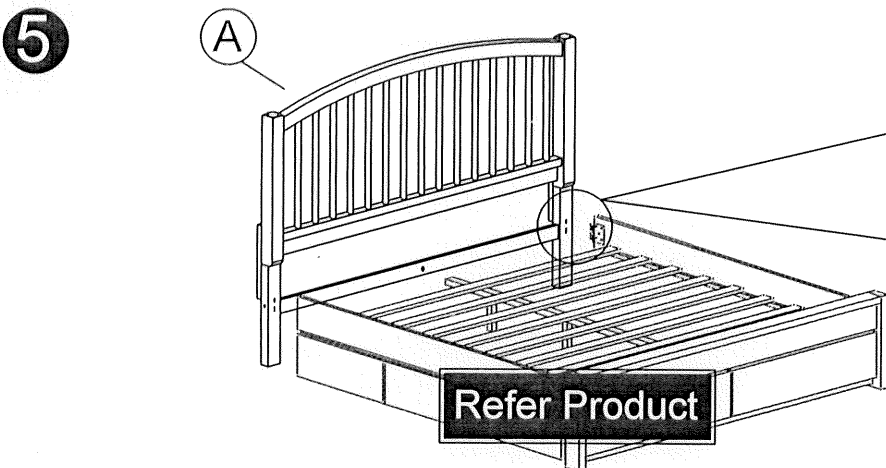
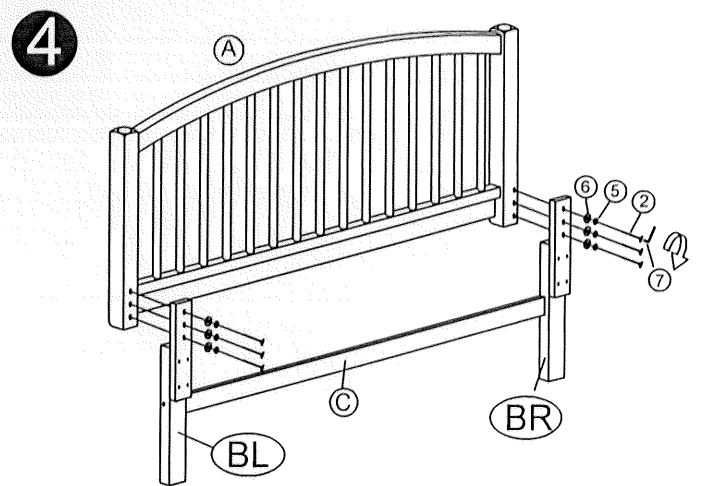
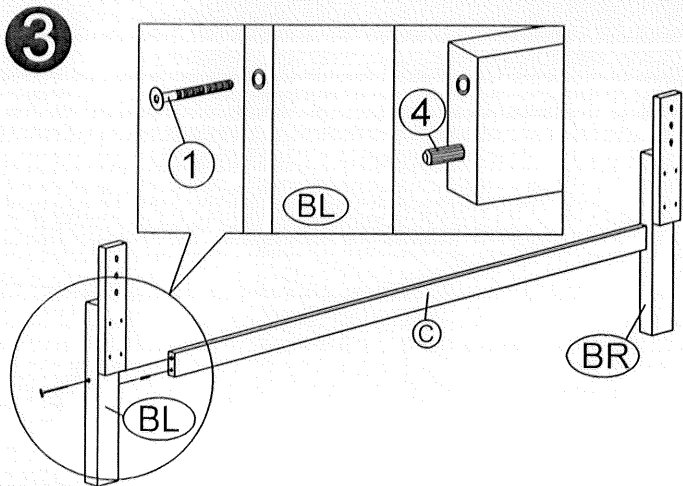


(6) Flat Washer X 10



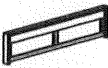

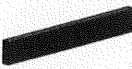


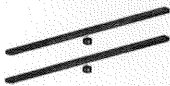

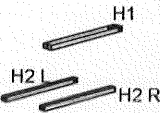
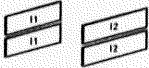
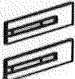
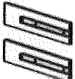
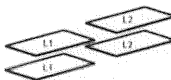
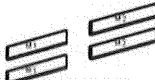












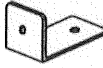

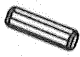


(7) M4 Allen Key X 1

Note: Do not assemble using power tools. This can cause the bolts to be overtightened

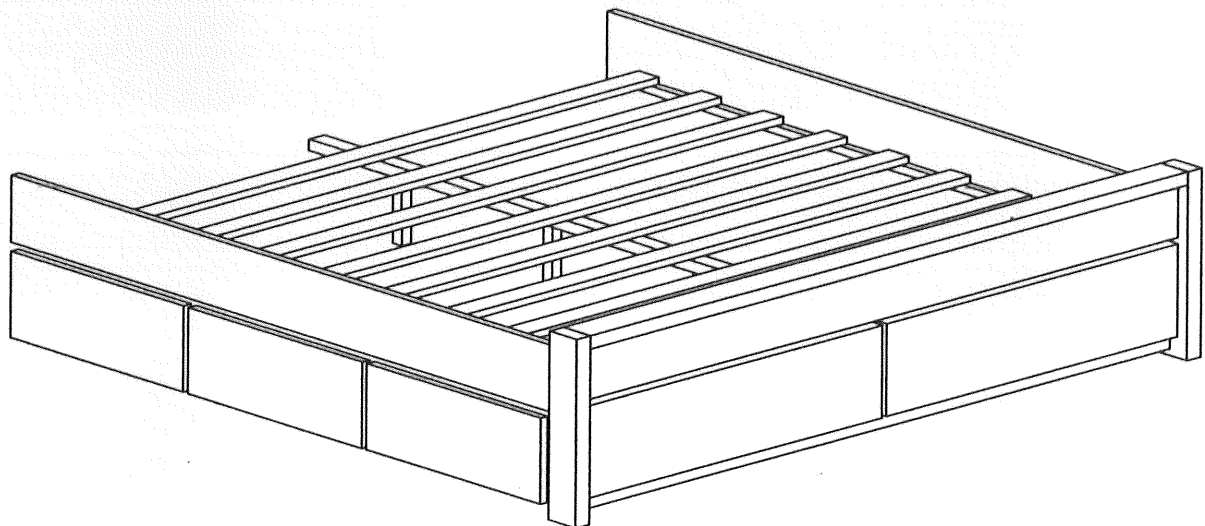


ASSEMBLY INSTRUCTION

4D - FULL BED

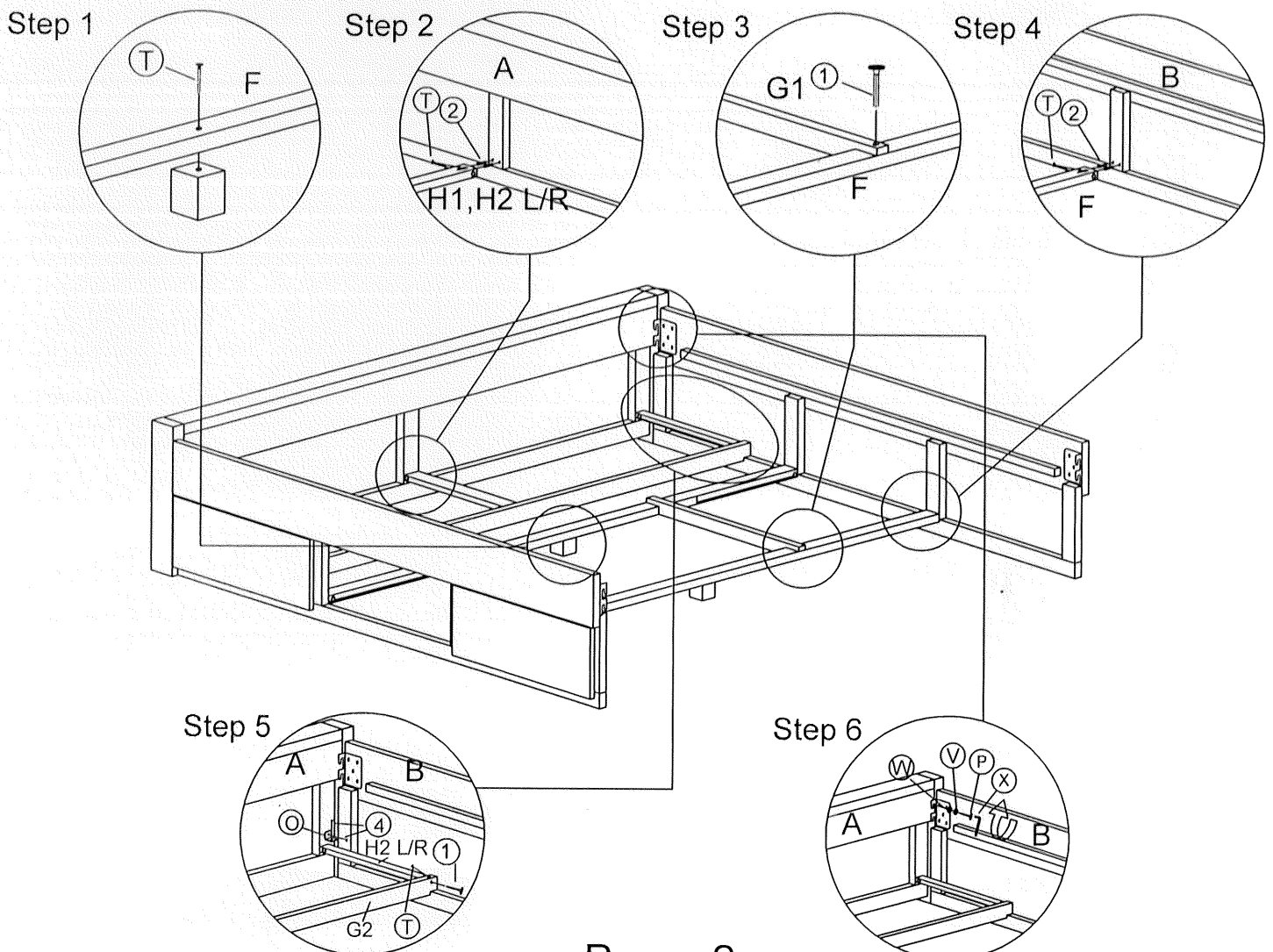
A FOOT BOARD PANEL  1 PCS	B SIDE RAIL L/R  2PCS	C BED SLAT  1SET	D CENTRE SUPPORT  1PC	E SUPPORT POST  3PCS	F SUPPORT RAIL  2 SET	G CENTER DRAWER SUPPORT  3PCS
H DRAWER SUPPORT RAIL  3 PCS	I DRAWER FRONT PANEL  4PCS	J DRAWER SIDE PANEL L  4PCS	K DRAWER SIDE PANEL R  4PCS	L DRAWER LOWER PANEL  4PCS	M DRAWER REAR PANEL  4PCS	N DRAWER LOWER SUPPORT  4PCS
O L/BRACKET  2PCS	P JCBC M6 x 20mm  4PCS	Q JCBC M6 x 15mm  4PCS	R JCBC M6 x 100mm  3PCS	S CSK M4X25  40PCS	T CSK M4X32  21PCS	U M6X13 B/NUT  3PCS
V Spring washer m6  4PCS	W Flat washer m6  4PCS	X M4 Allen Key  1PCS	Y ADJUSTER M6  3PCS	Z L/BRACKET  2PCS	1 JCBC M6 x 40mm  25PCS	2 W/DOWEL 6X30  12PCS
3 W/DOWEL 6X25  16PCS	4 CSK M4X16  4PCS					

This page lists all the contents included in the box. Please take the time to identify the hardware as well as the individual components to this product. As you unpack and prepare for assembly, place the contents on the carpeted or padded area to protect them from damage.



ASSEMBLY INSTRUCTION

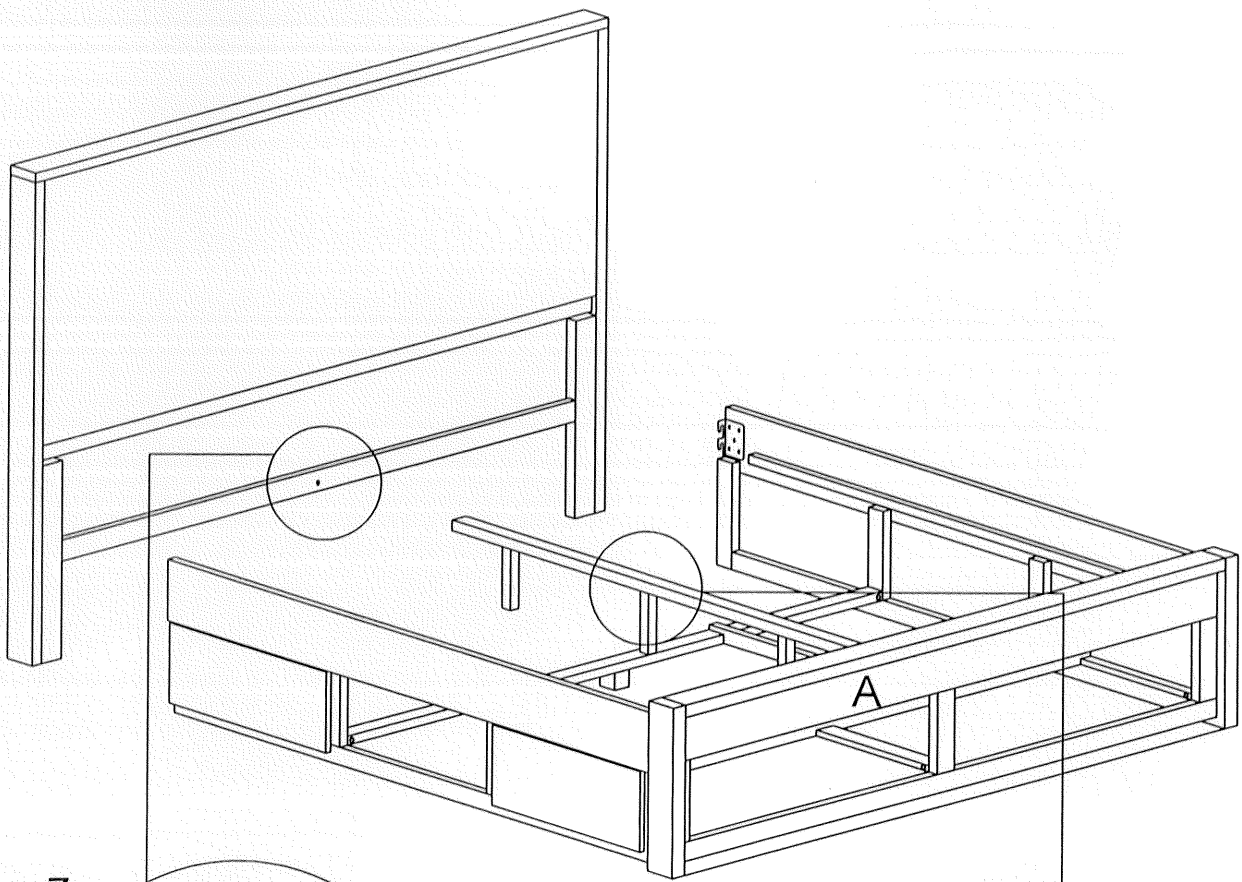
1. Insert CskM4x32 (T) to Support rail (F) .
2. Insert W/d 8x30 (2) Csk M4X32 (T) to Drawer Support Rail (H1,H2 L/R) Connection Fb panel (A).
3. Insert Jcbc m6x40 (1) to Center Drawer Support (G1) connection SupportRail (F) .
4. Insert W/d 8x30 (2) Csk M4X32 (T) to Support Rail (F) connection Side Rail (B).
5. Insert jcbc m6x40 (1) Csk m4x32 (T) to Drawer support rail (G2) L/bracket (O) Csk m4x16 (4) to Drawer support rail (H2 L/R).
6. Insert Jcbc m6x20 (P) Spring washer (V) Flat washer (W) to Side Rail (B) Connection Fb panel (A).



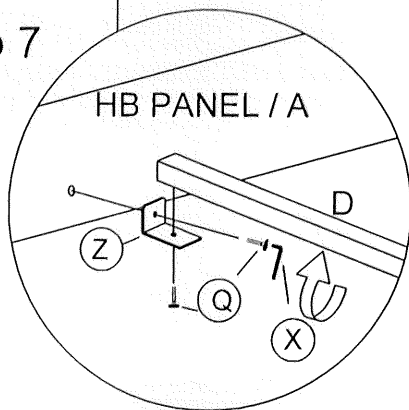
ASSEMBLY INSTRUCTION

7. Insert Jcbc m6X15 (Q) to L/Bracket (Z) To Connection Centre Support (D) and Fb panel (A) and Hb panel.

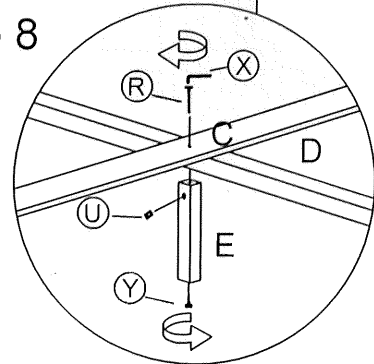
8. Insert Jcbc m6x100 (R) B/nut (U) Adjuster (Y) to Connection Centre Support (D) and Support Post (E) and Bed Slat (C).



Step 7

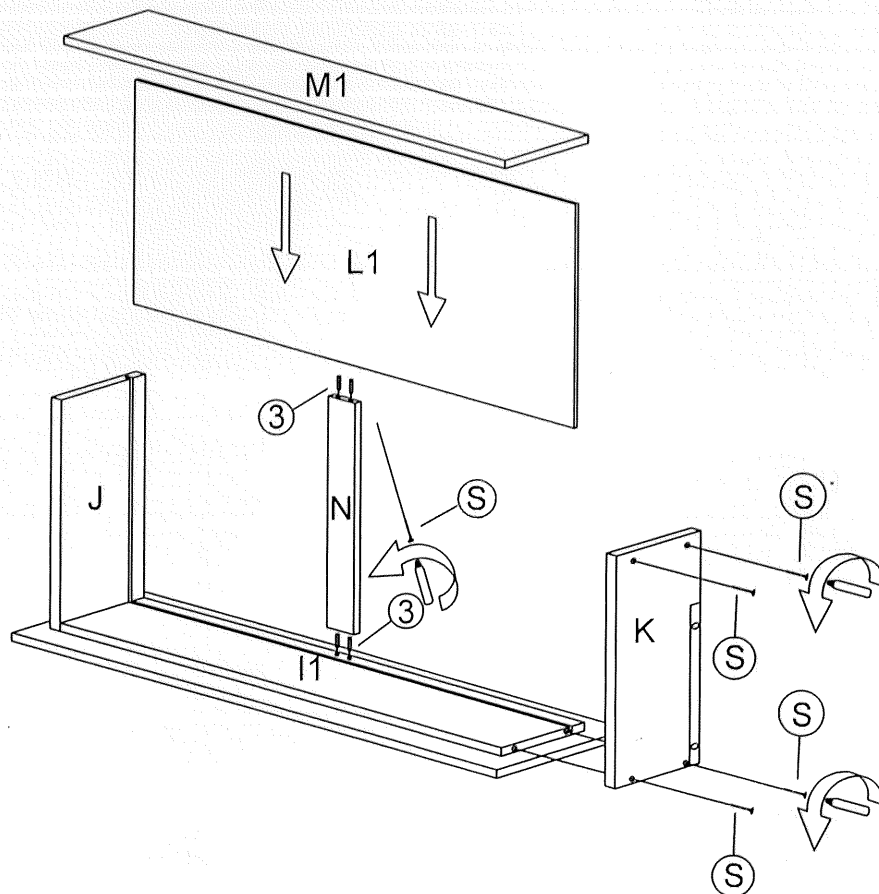


Step 8



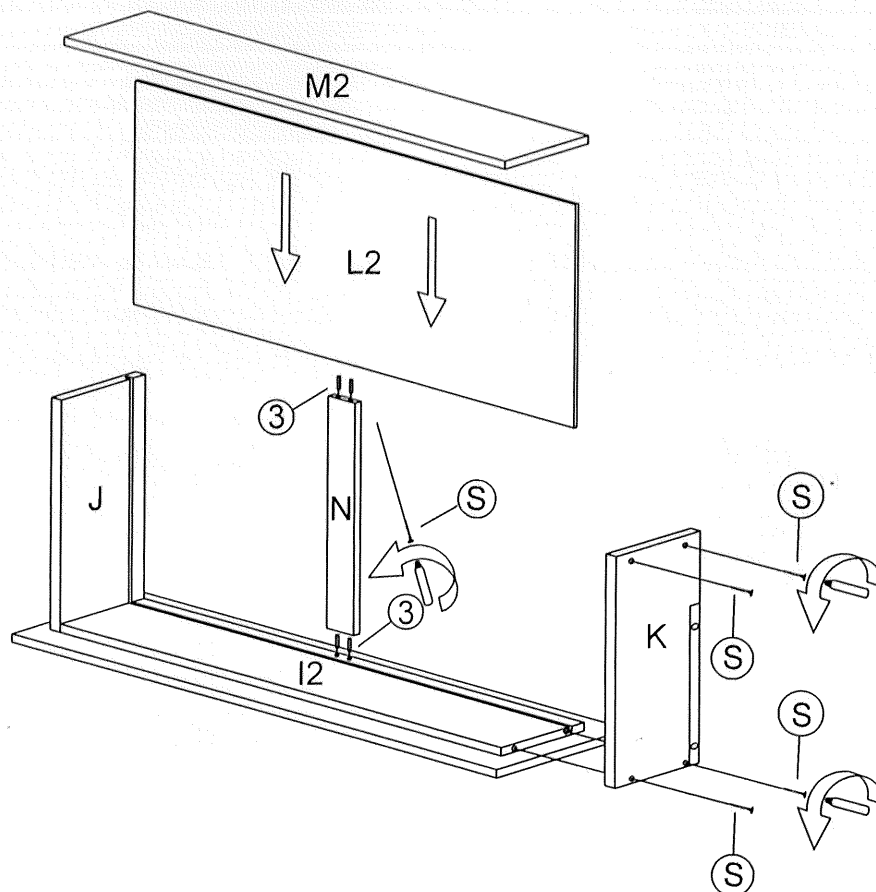
ASSEMBLY INSTRUCTION

1. Insert Csk m4x25 (S) to Side panel (J) To Connection Drawer front Panel (I1) .
2. Insert Csk m4x25 (S) to Side panel (K) To Connection Drawer front Panel (I1) .
3. Insert W/Dowel m6x25 (3) to Drawer Lower Panel Support (N) Connection Drawer front Panel (I1) .
4. Fit on Drawer Lower Panel (L1) to between Side Panel (J)(K).
5. Insert Csk m4x25 (S) to Side panel (J)(K) Drawer Rear panel (M1) To Connection Drawer front Panel (I1)
6. Insert Csk m4x25 (S) to Drawer Lower Panel Support (N) To Connection Drawer Rear panel (M1) And Drawer front Panel (I1)



ASSEMBLY INSTRUCTION

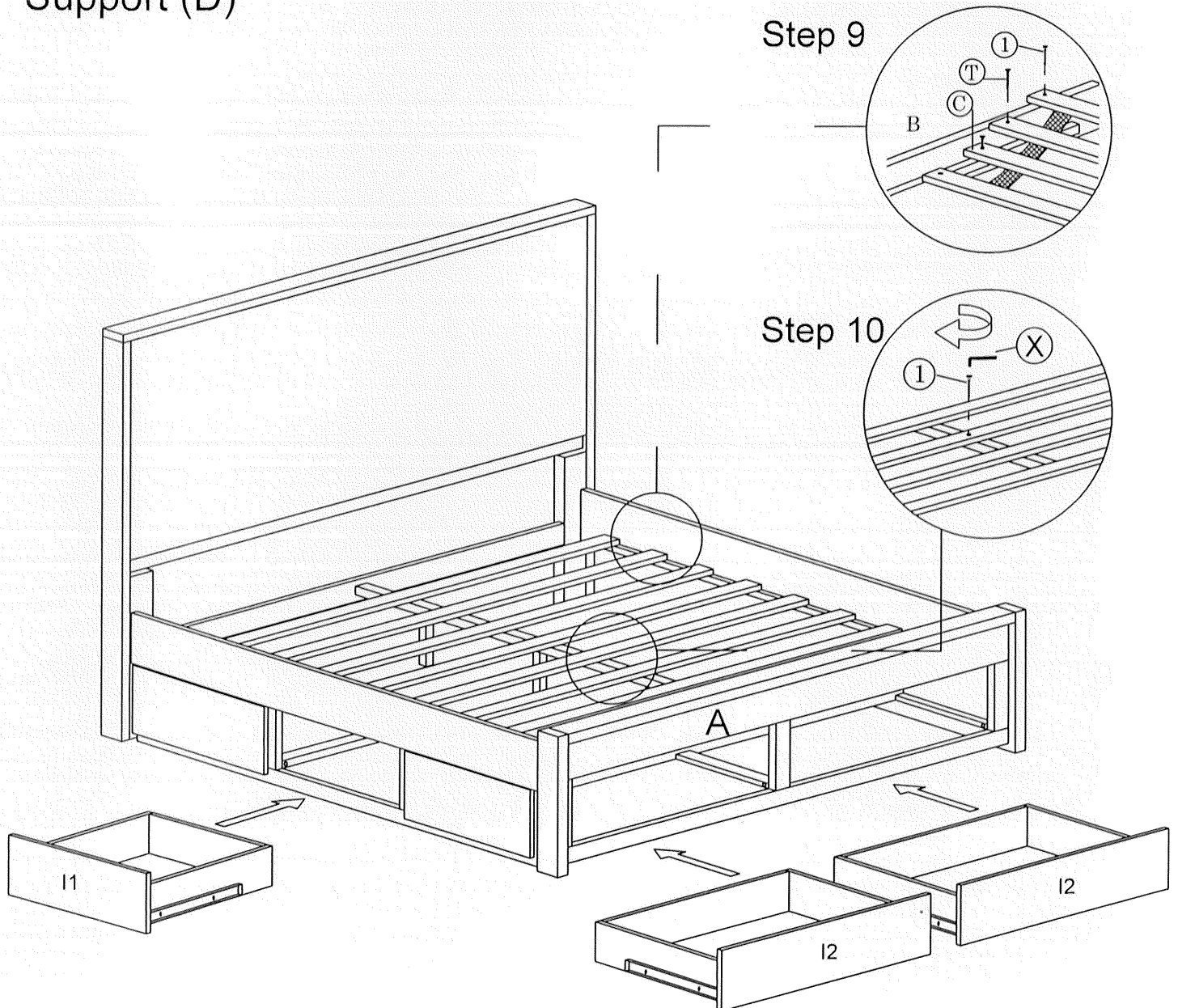
1. Insert Csk m4x25 (S) to Side panel (J) To Connection Drawer front Panel (I2) .
2. Insert Csk m4x25 (S) to Side panel (K) To Connection Drawer front Panel (I2) .
3. Insert W/Dowel m6x25 (3) to Drawer Lower Panel Support (N) Connection Drawer front Panel (I2) .
4. Fit on Drawer Lower Panel (L2) to between Side Panel (J)(K).
5. Insert Csk m4x25 (S) to Side panel (J)(K) Drawer Rear panel (M2) To Connection Drawer front Panel (I2)
6. Insert Csk m4x25 (S) to Drawer Lower Panel Support (N) To Connection Drawer Rear panel (M2) And Drawer front Panel (I2)



ASSEMBLY INSTRUCTION

9. Insert CSK M4x32 (T) Jcbc m6x40 (1) to Bed slat (C)
Connection Side rail cleat (B)

10. Insert Jcbc M6X40 (1) to Bed slat (C) Connection Centre Support (D)

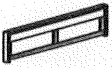



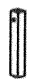
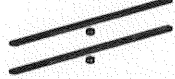
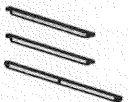
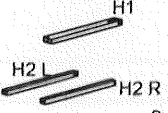

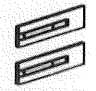
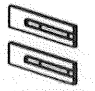
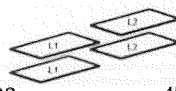
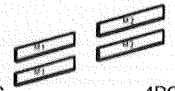












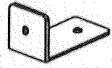






Cleaning & Care

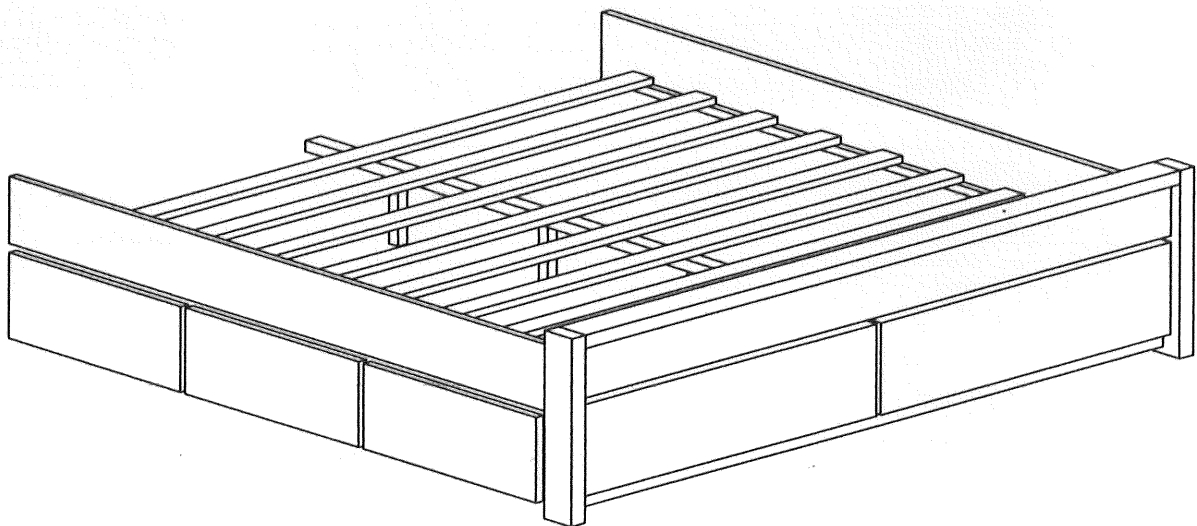
Treat surface with care. Surface is resistant to scratches but is not scratch resistant. Clean surfaces with a dry or damp soft cloth. Do not use abrasive cleaners. Hardware may loosen over time. Periodically check that all connections are tight.

ASSEMBLY INSTRUCTION

4D - QUEEN BED

A FOOT BOARD PANEL  1 PC	B SIDE RAIL L/R  2PCS	C BED SLAT  1SET	D CENTRE SUPPORT  1PC	E SUPPORT POST  3PCS	F SUPPORT RAIL  2 SET	G CENTER DRAWER SUPPORT  3PCS G1 G1 G2
H DRAWER SUPPORT RAIL  3 PCS H1 H2 L H2 R	I DRAWER FRONT PANEL  4PCS I1 I2	J DRAWER SIDE PANEL L  4PCS	K DRAWER SIDE PANEL R  4PCS	L DRAWER LOWER PANEL  4PCS L1 L2	M DRAWER REAR PANEL  4PCS M1 M2	N DRAWER LOWER SUPPORT  4PCS
O L/BRACKET  2PCS	P JCBC M6 x 20mm  4PCS	Q JCBC M6 x 15mm  4PCS	R JCBC M6 x 90mm  3PCS	S CSK M4X25  40PCS	T CSK M4X32  27PCS	U M6X13 IV NUT  3PCS
V Spring washer m6  4PCS	W Flat washer m6  4PCS	X M4 Allen Key  1PCS	Y ADJUSTER M6  3PCS	Z L/BRACKET  2PCS	1 JCBC M6 x 40mm  19PCS	2 W/DOWEL 8X30  12PCS
3 W/DOWEL 6X25  16PCS	4 CSK M4X16  4PCS					

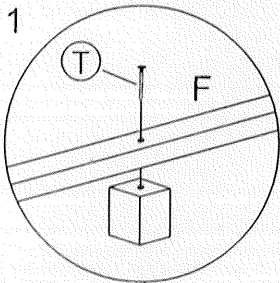
This page lists all the contents included in the box. Please take the time to identify the hardware as well as the individual components to this product. As you unpack and prepare for assembly, place the contents on the carpeted or padded area to protect them from damage.



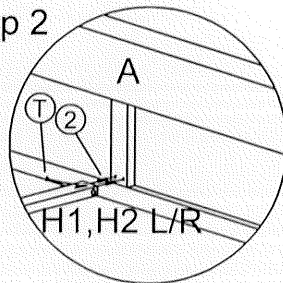
ASSEMBLY INSTRUCTION

1. Insert CskM4x32 (T) to Support rail (F) .
2. Insert W/d 8x30 (2) Csk M4X32 (T) to Drawer Support Rail (H1,H2 L/R) Connection Fb panel (A).
3. Insert Jcbc m6x40 (1) to Center Drawer Support (G1) connection SupportRail (F) .
4. Insert W/d 8x30 (2) Csk M4X32 (T) to Support Rail (F) connection Side Rail (B).
5. Insert jcbc m6x40 (1) Csk m4x32 (T) to Drawer support rail (G2) L/bracket (O) Csk m4x16 (4) to Drawer support rail (H2 L/R).
6. Insert Jcbc m6x20 (P) Spring washer (V) Flat washer (W) to Side Rail (B) Connection Fb panel (A).

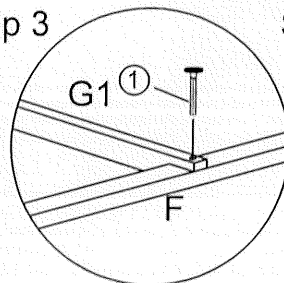
Step 1



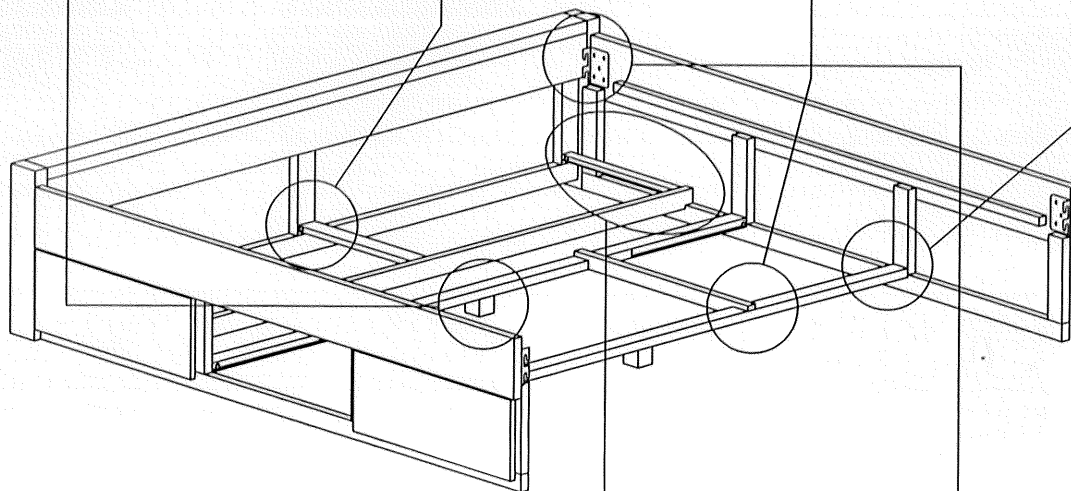
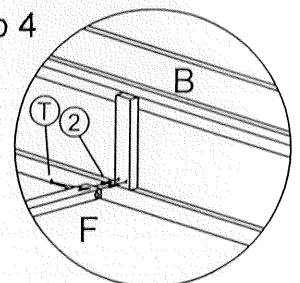
Step 2



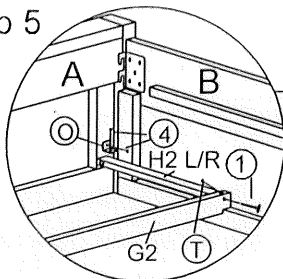
Step 3



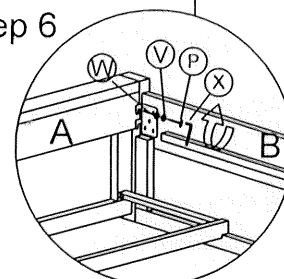
Step 4



Step 5



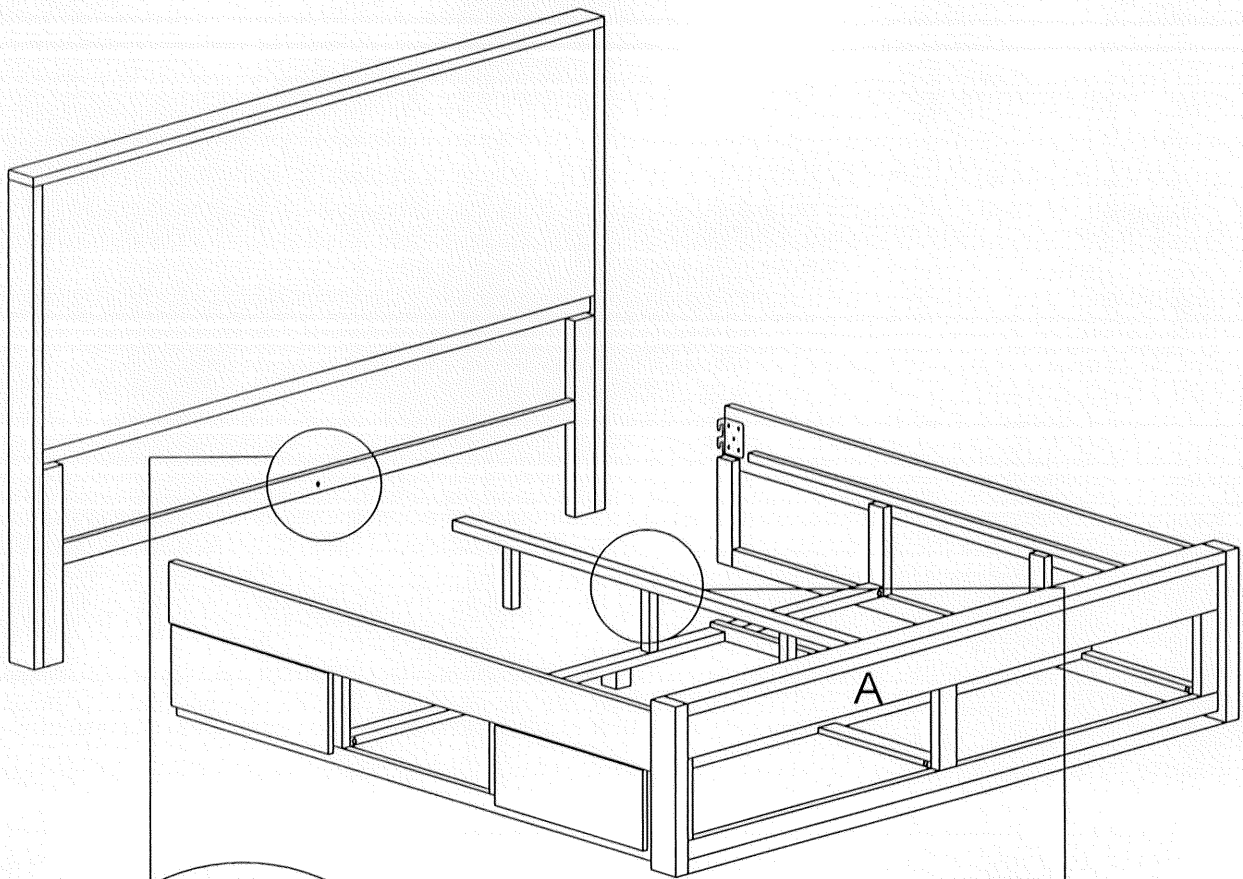
Step 6



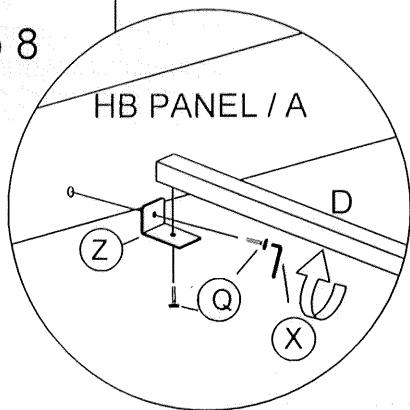
ASSEMBLY INSTRUCTION

7. Insert Jcbc m6x90 (R) B/nut (U) Adjuster (Y) to Connection Centre Support (D) and Support Post (E).

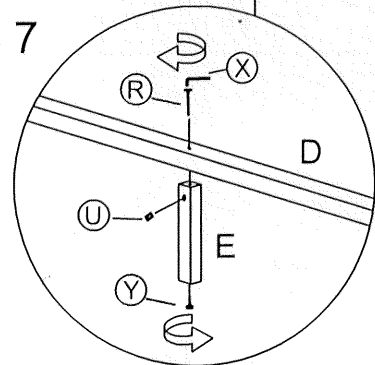
8. Insert Jcbc m6X15 (Q) to L/Bracket (Z) To Connection Centre Support (D) and Fb panel (A) and Hb panel.



Step 8

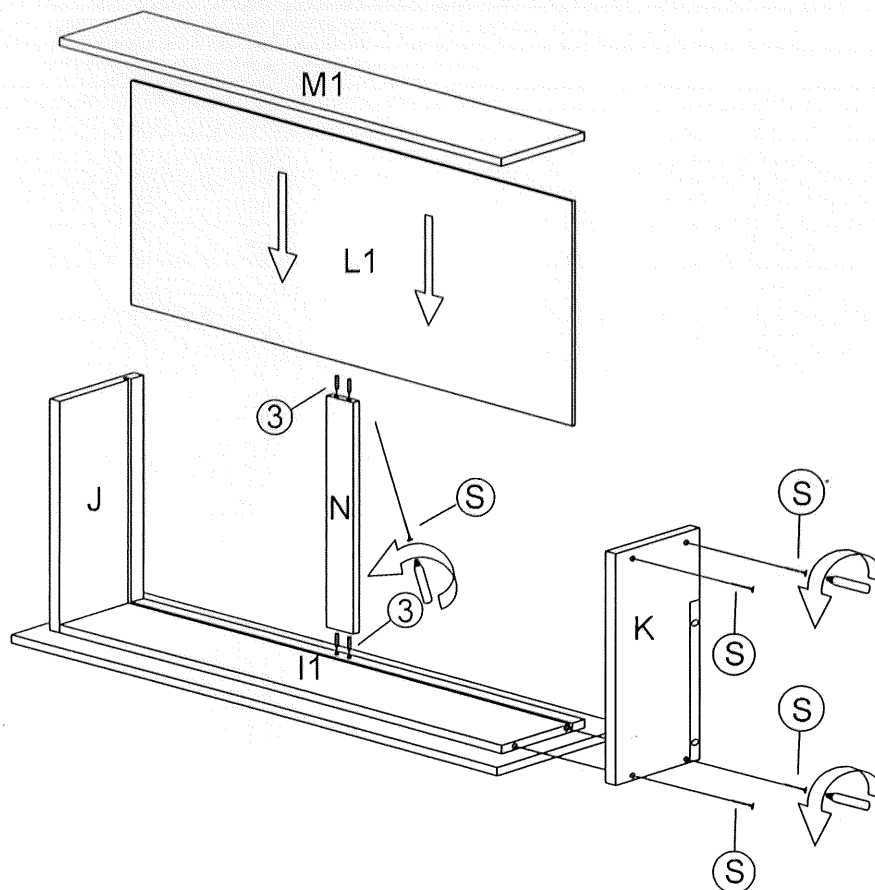


Step 7



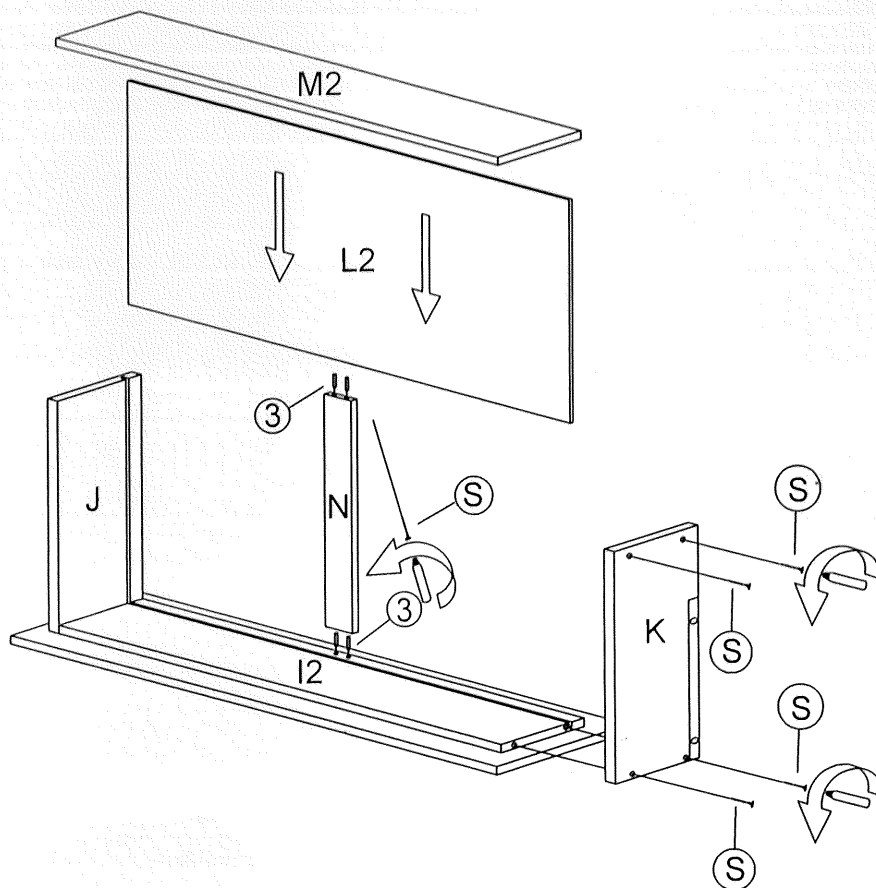
ASSEMBLY INSTRUCTION

1. Insert Csk m4x25 (S) to Side panel (J) To Connection Drawer front Panel (I1) .
2. Insert Csk m4x25 (S) to Side panel (K) To Connection Drawer front Panel (I1) .
3. Insert W/Dowel m6x25 (3) to Drawer Lower Panel Support (N) Connection Drawer front Panel (I1) .
4. Fit on Drawer Lower Panel (L1) to between Side Panel (J)(K).
5. Insert Csk m4x25 (S) to Side panel (J)(K) Drawer Rear panel (M1) To Connection Drawer front Panel (I1)
6. Insert Csk m4x25 (S) to Drawer Lower Panel Support (N) To Connection Drawer Rear panel (M1) And Drawer front Panel (I1)



ASSEMBLY INSTRUCTION

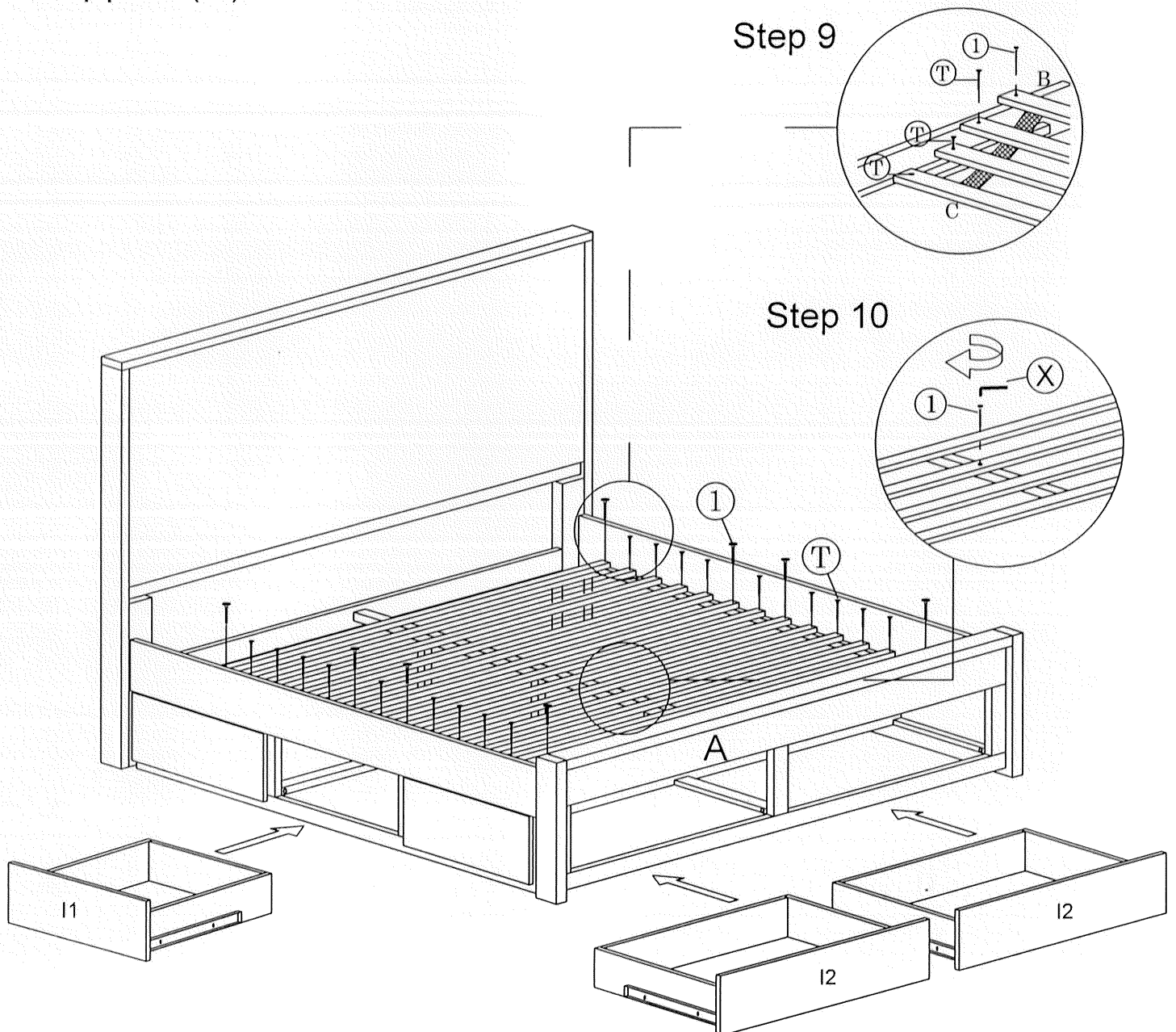
1. Insert Csk m4x25 (S) to Side panel (J) To Connection Drawer front Panel (I2) .
2. Insert Csk m4x25 (S) to Side panel (K) To Connection Drawer front Panel (I2) .
3. Insert W/Dowel m6x25 (3) to Drawer Lower Panel Support (N) Connection Drawer front Panel (I2) .
4. Fit on Drawer Lower Panel (L2) to between Side Panel (J)(K).
5. Insert Csk m4x25 (S) to Side panel (J)(K) Drawer Rear panel (M2) To Connection Drawer front Panel (I2)
6. Insert Csk m4x25 (S) to Drawer Lower Panel Support (N) To Connection Drawer Rear panel (M2) And Drawer front Panel (I2)



ASSEMBLY INSTRUCTION

9. Insert CSK M4x32 (T) Jcbc m6x40 (1) to Bed slat (C)
Connection Side rail cleat (B)

10. Insert Jcbc M6X40 (1) to Bed slat (C) Connection Centre Support (D)



Cleaning & Care

Treat surface with care. Surface is resistant to scratches but is not scratch resistant. Clean surfaces with a dry or damp soft cloth. Do not use abrasive cleaners. Hardware may loosen over time. Periodically check that all connections are tight.