

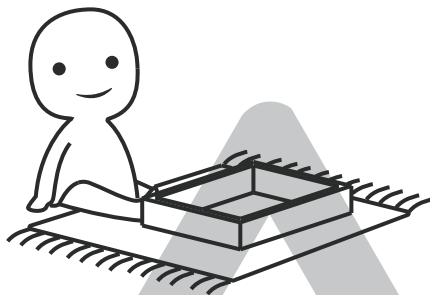
INSTALLATION

Product Manual



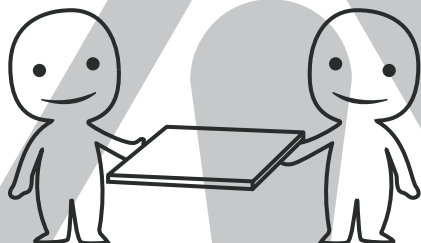
IMPORTANT INFORMATION!

please read the entire manual before starting to assemble and/or using this product. follow the manual thoroughly and keep it for further reference.



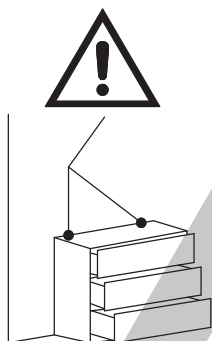
AVOID SCRATCHES!

In order to avoid scratching this furniture should be assembled on a soft layer- could be a rug.



IMPROVE EFFICIENCY !

Try to find a partner to install with you, which can speed up the installation efficiency and shorten the time.



ANTI-TOPPLE WARNING !

Overturnd furniture can cause serious or fatal crush injuries. To prevent tipping over, be sure to use the wall attachment, if not included with this product. Please purchase the wall attachment that fit your wall. If unsure, seek professional advice. Please read and follow each step of the instructions carefully.

IMPORTANT !

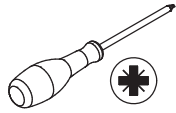
It is important that any product which is assembled using any kind of screw is re-tightened 2 weeks after assembly, and once every 3 months - in order to assure stability through-out the lifespan of the product.

For regular maintenance and cleaning of the product, for the frame, please use a rag dipped in neutral detergent to fully wipe it, and then dry it with a clean rag. For glass materials, wipe with a rag dampened with water glass cleaner, and then dry with a dry rag.

Do not use an electric screwdriver, and do not use too much force when installing, because the board is easy to break.

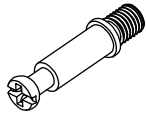


Please prepare the following tools



When installing, please carefully confirm whether each screw corresponds to the manual, accessories with similar shapes can be distinguished by size

A x 39



CRA0635A

B x 39



CRB1295A

C x 5



D x 47



CRC0540A

E x 60



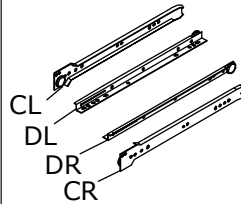
CRD0312A

F x 5



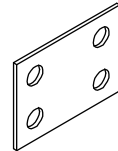
CRE0416A

H x 5

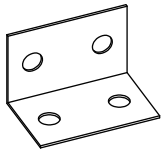


WX0812A

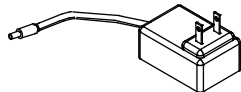
K x 1

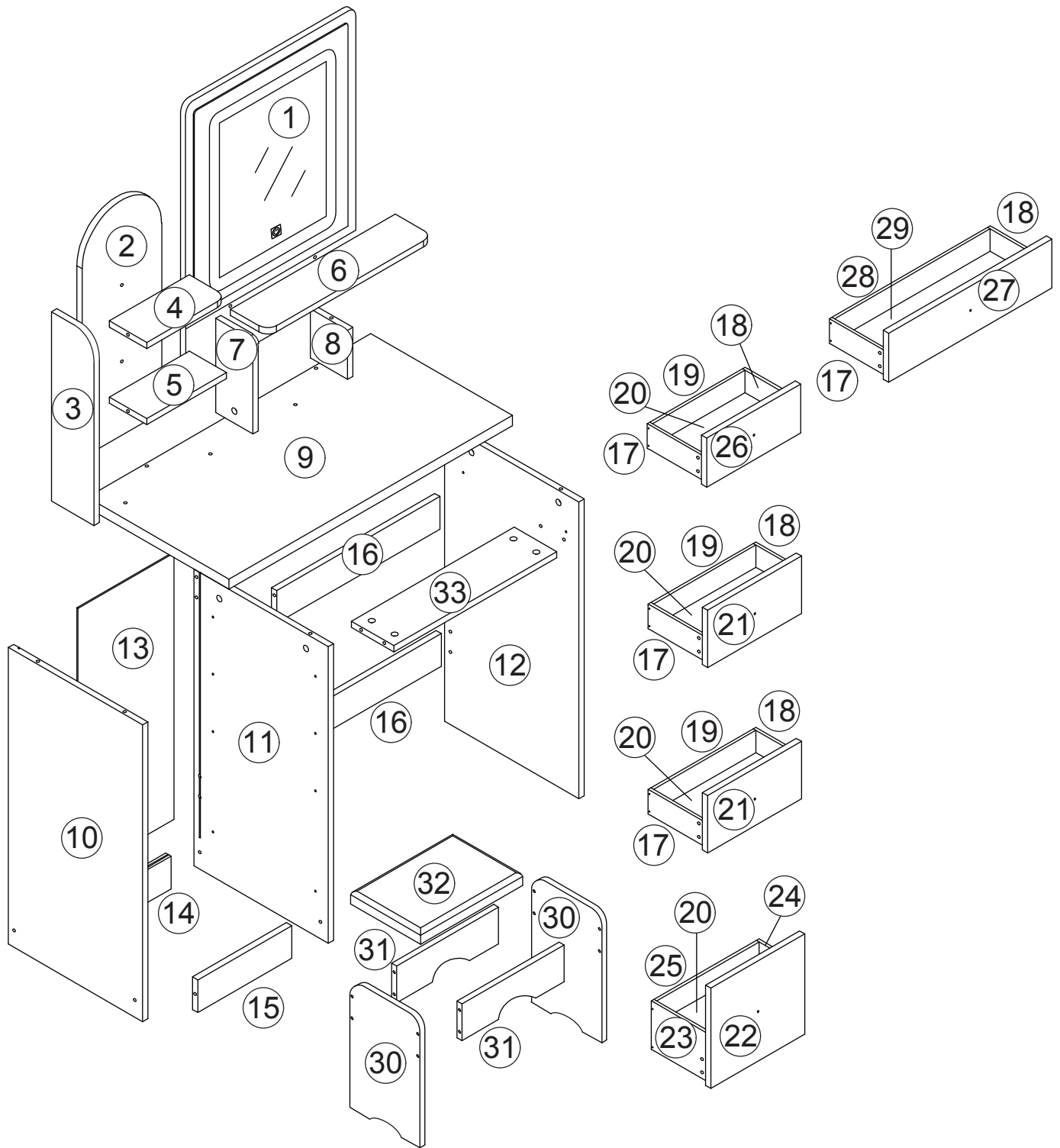


L x 4



Power plug x 1





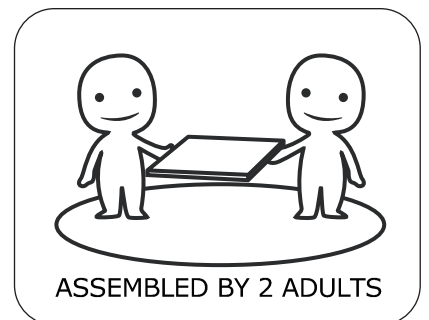
⚠ WARNING



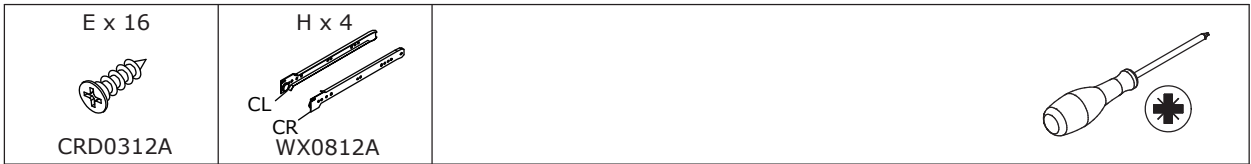
Children have died from furniture tipover. To reduce the risk of furniture tipover:

- ALWAYS install tipover restraint provided.
- NEVER put a TV on this product.
- NEVER allow children to stand, climb or hang on drawers, doors, or shelves.
- NEVER open more than one drawer at a time.
- Place heaviest items in the lowest drawers.

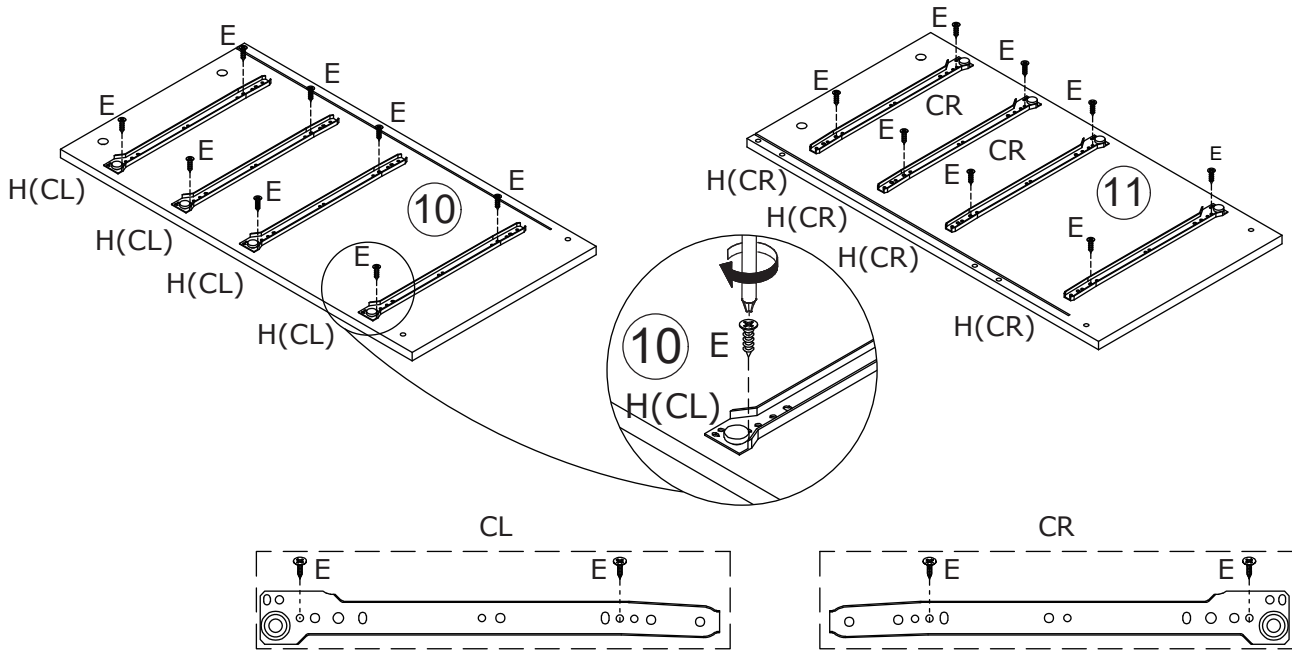
*This is a permanent label.
Do not remove!*



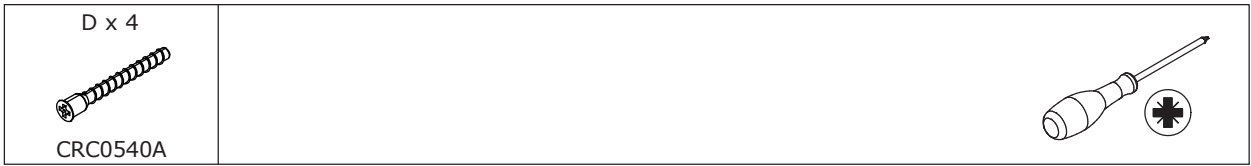
1



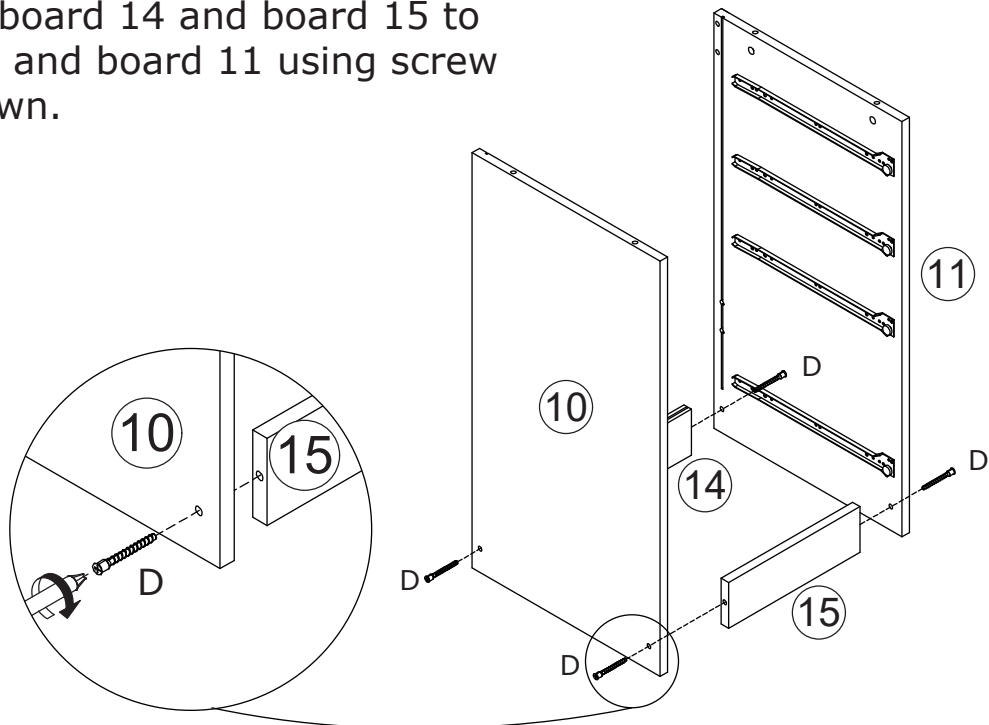
Fix slide rail H to board 10 and board 11 using screw E as shown.



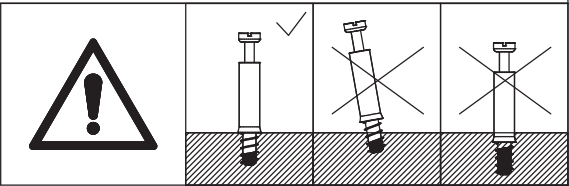
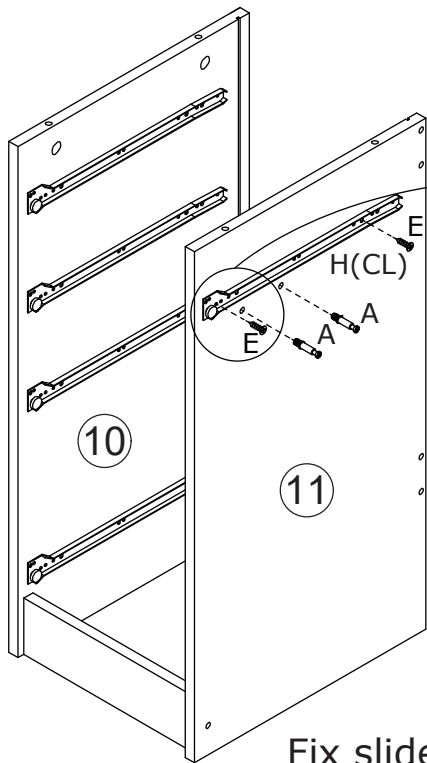
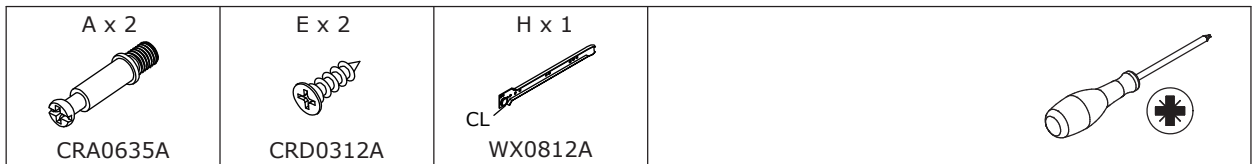
2



Connect board 14 and board 15 to board 10 and board 11 using screw D as shown.

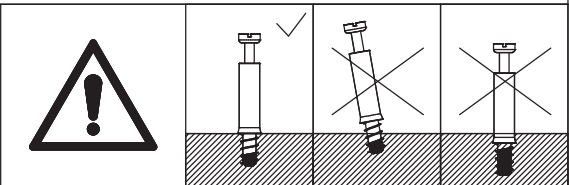
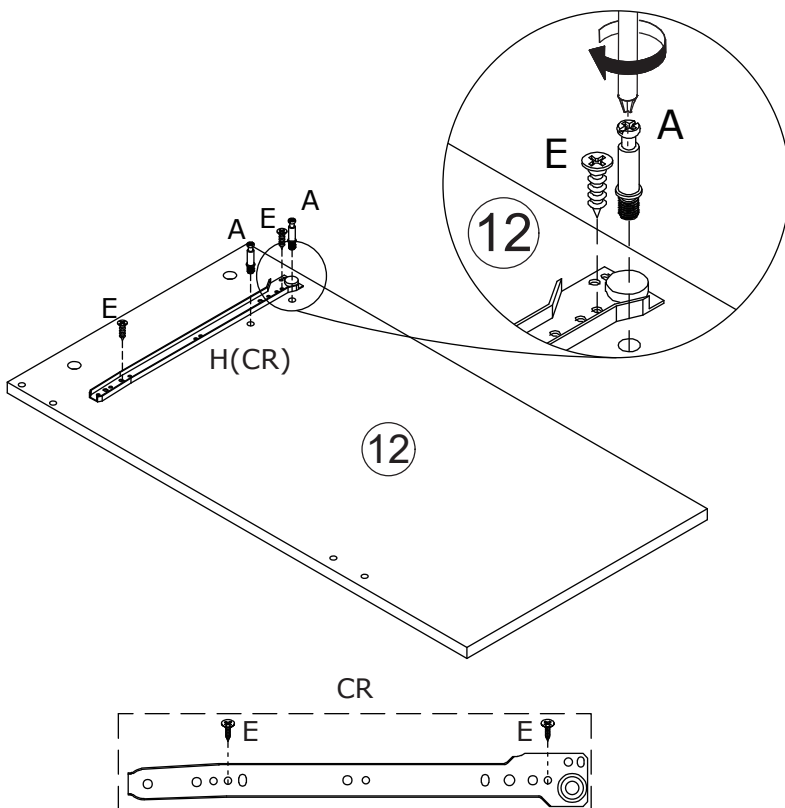
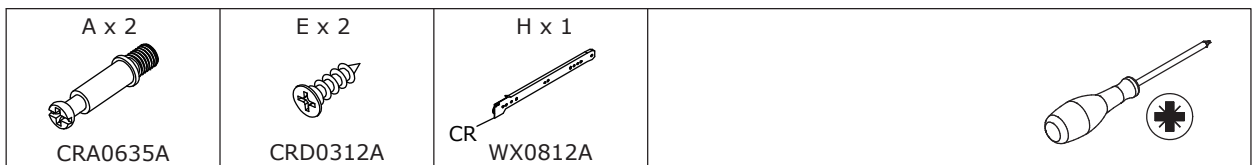


3



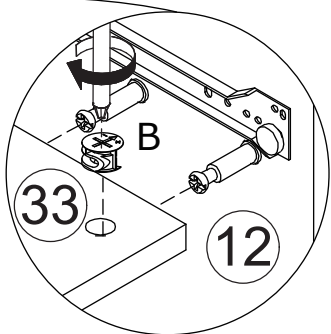
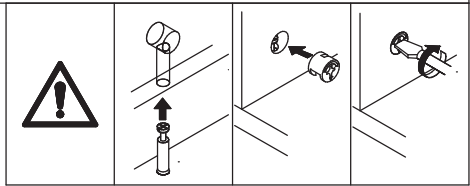
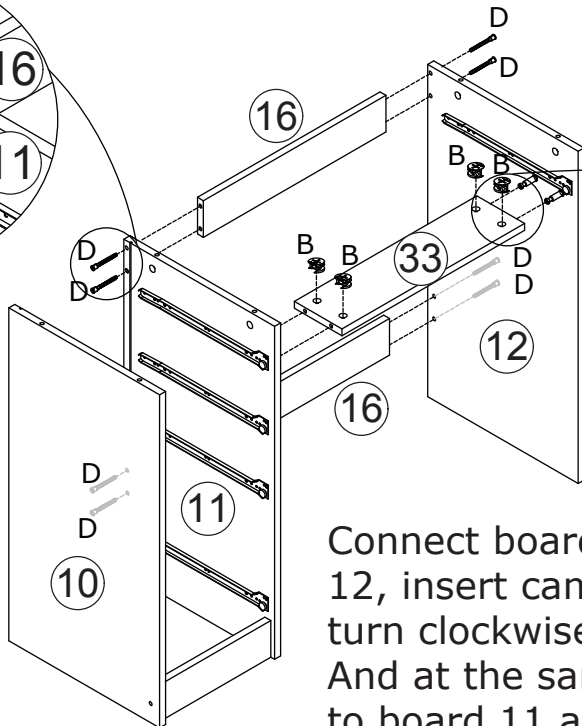
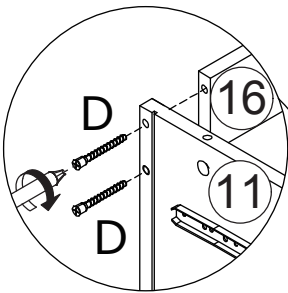
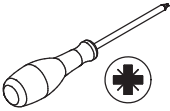
Fix slide rail H to the other side of board 11 using screw E and fix screw A into board 11 as shown.

4



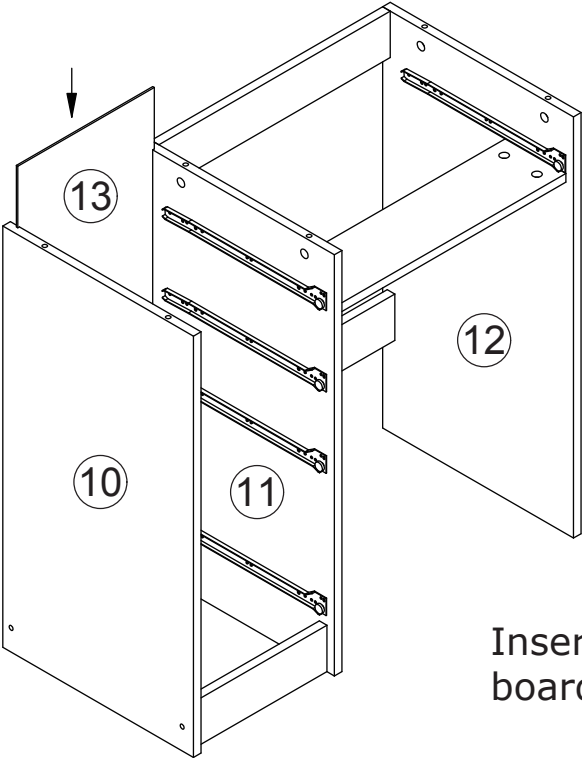
Fix rail H to board 12 using screw E and fix screw A into board 12 as shown.

5



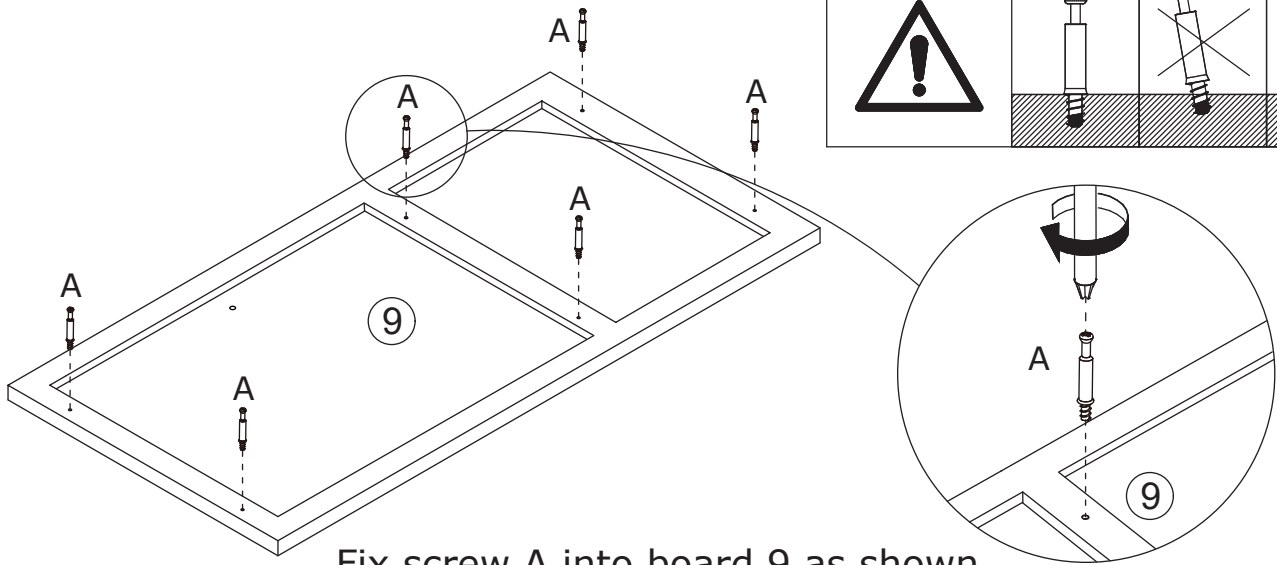
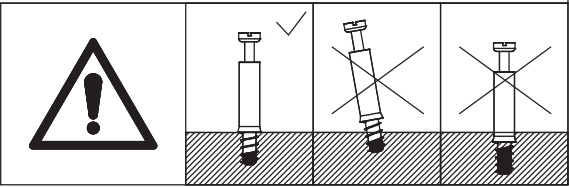
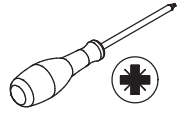
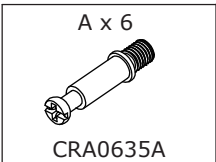
Connect board 33 to board 11 and board 12, insert cam lock B into board 33 and turn clockwise to tighten as shown. And at the same time, connect board 16 to board 11 and board 12 using screw D as shown.

6



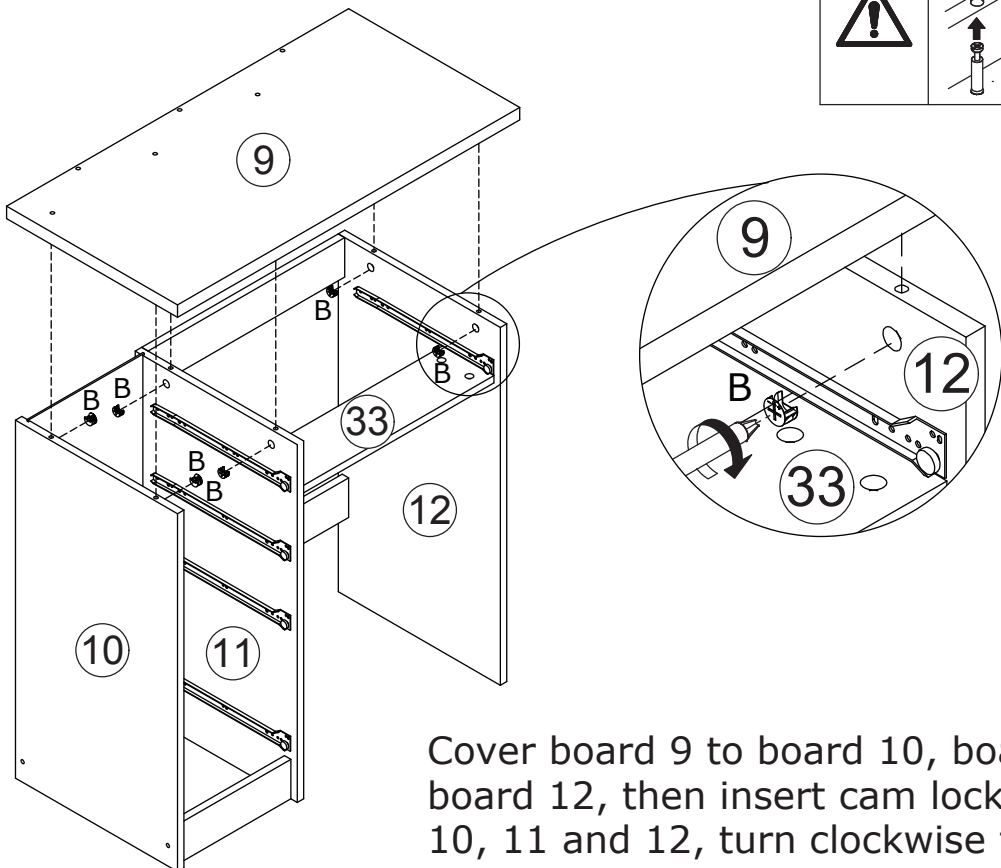
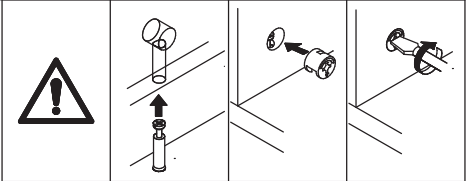
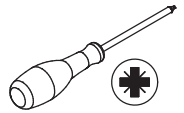
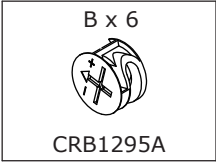
Insert board 13 into the slots of board 10 and board 11.

7



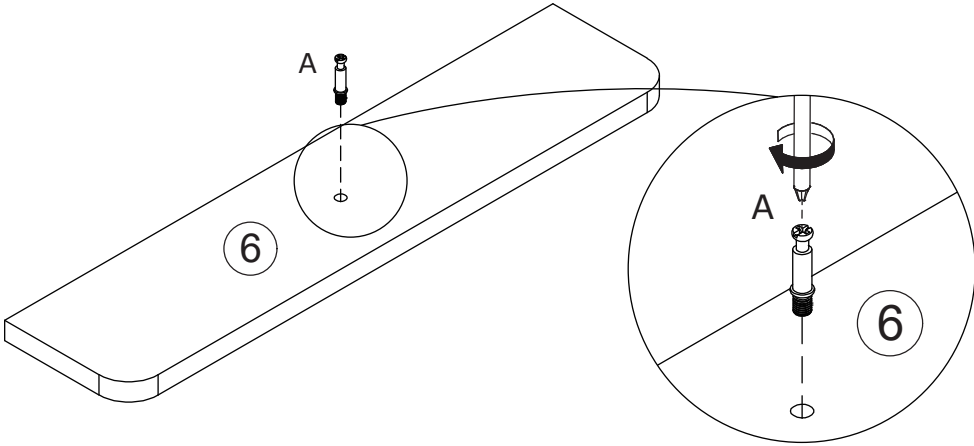
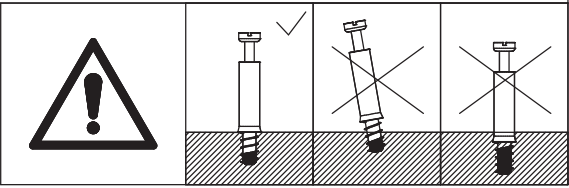
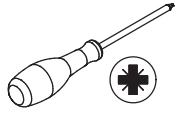
Fix screw A into board 9 as shown.

8



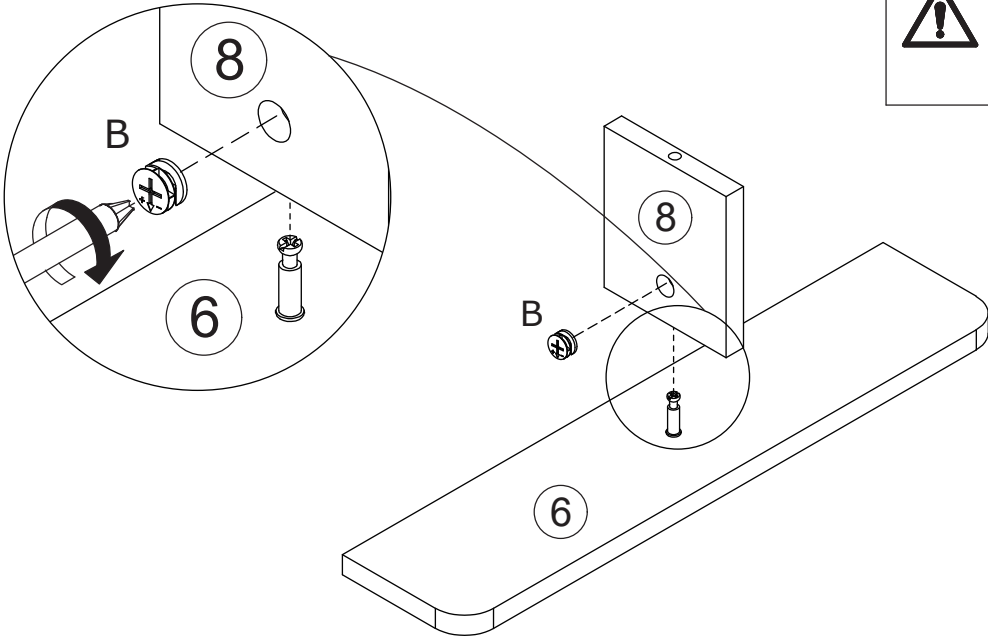
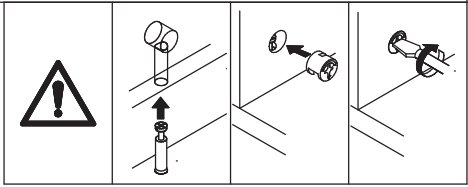
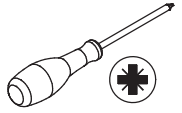
Cover board 9 to board 10, board 11, and board 12, then insert cam lock into board 10, 11 and 12, turn clockwise to tighten as shown.

9



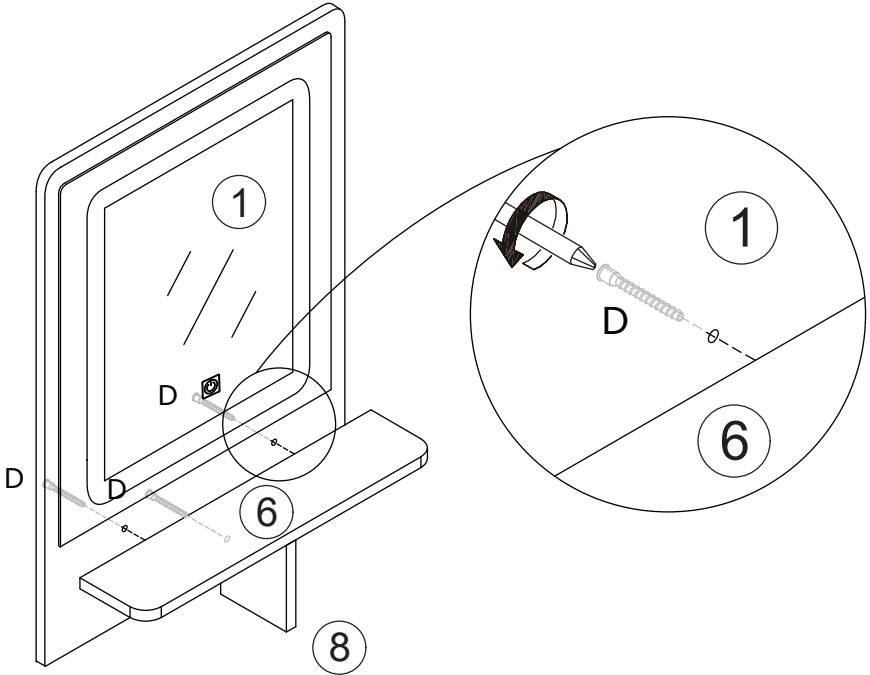
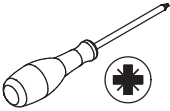
Fix screw A into board 6.

10



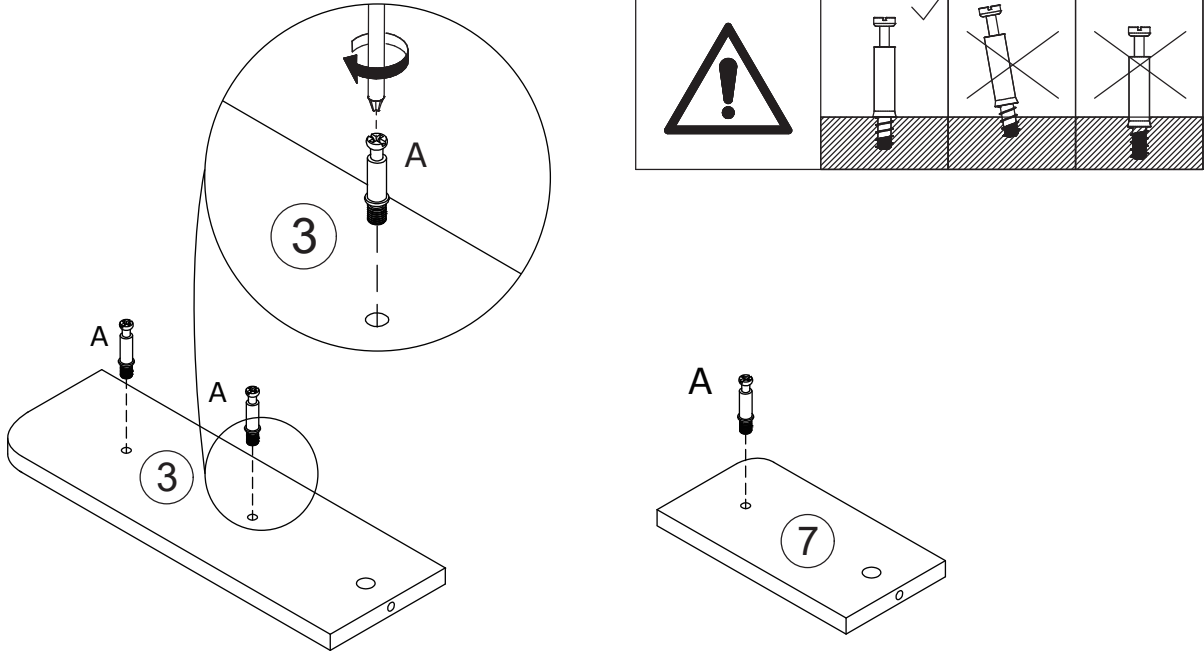
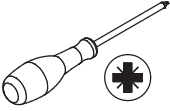
Connect board 6 to board 8, and then insert cam lock into board 8 and tighten as shown.

11



Connect board 6 and 8 to board mirror 1 using screw D as shown.

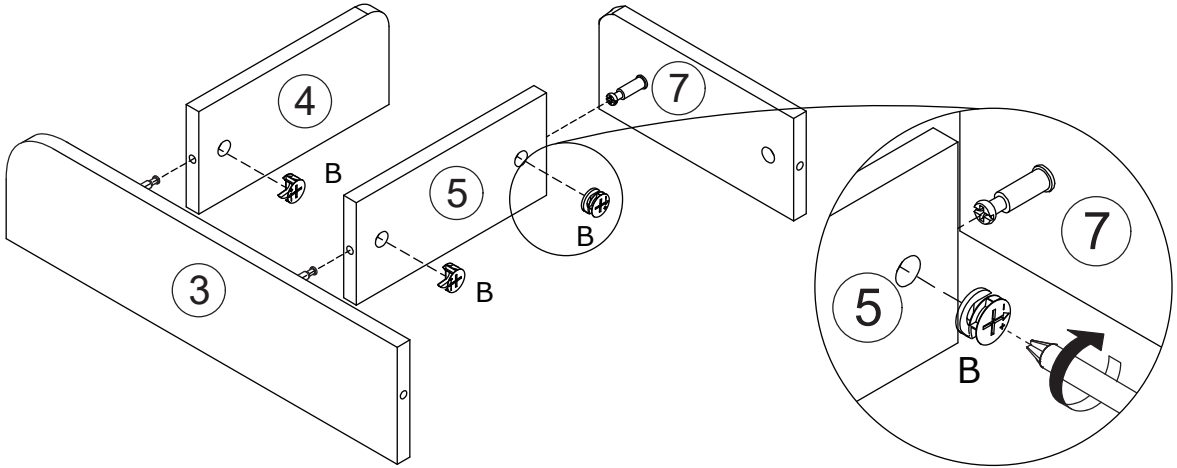
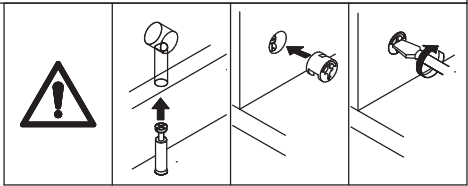
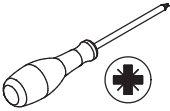
12



Fix screw A to board 3 and board 7 as shown.

13

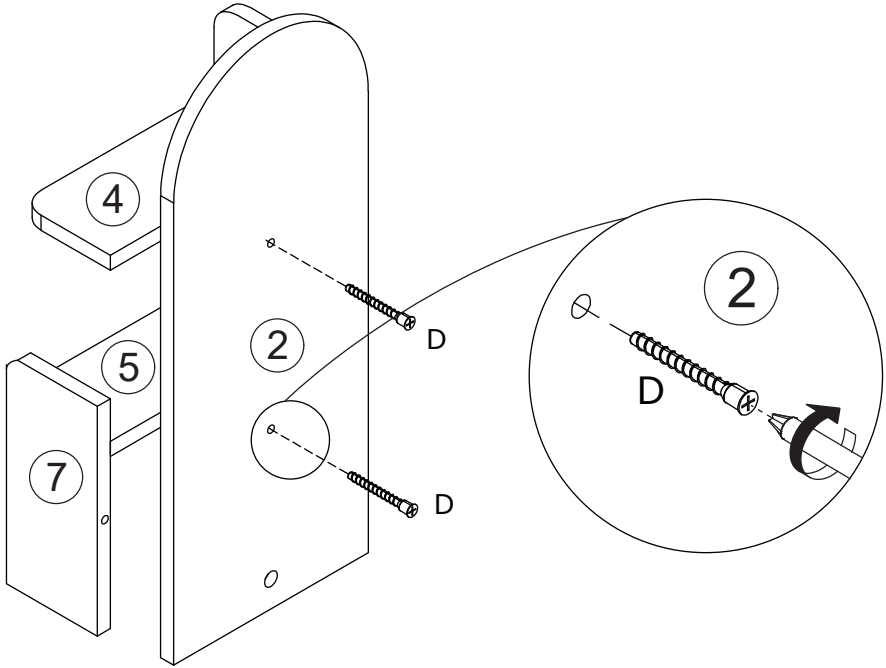
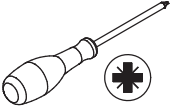
B x 3
CRB1295A



Connect board 3 and board 7 to board 4 and board 5, then insert cam lock into board 4 and board 5 and tighten as shown.

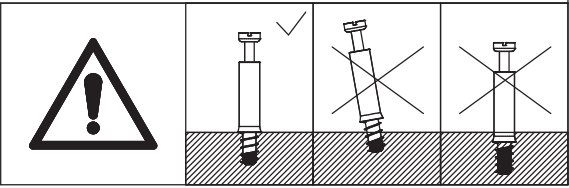
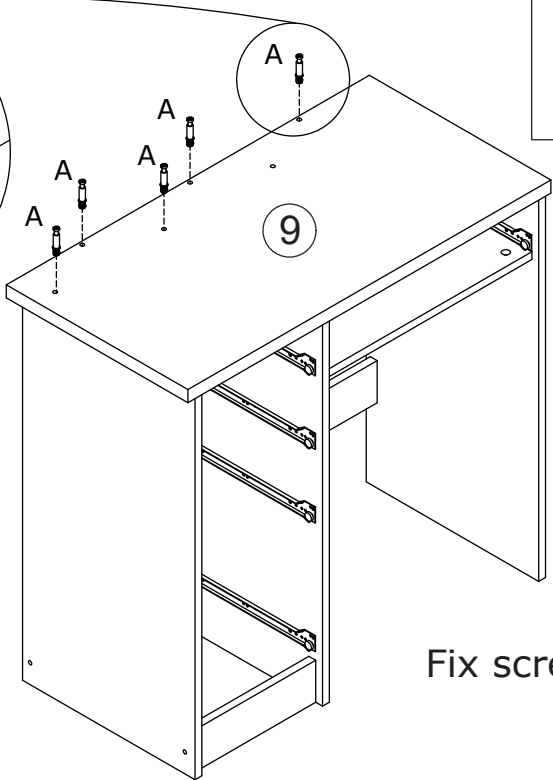
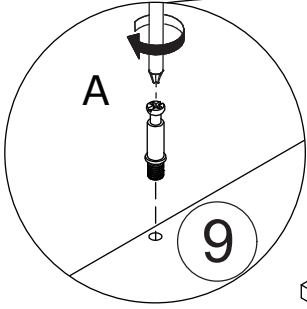
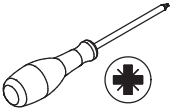
14

D x 2
CRC0540A



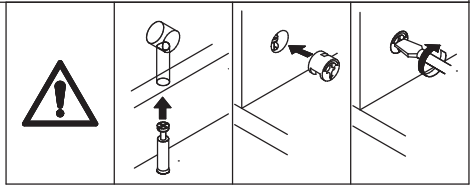
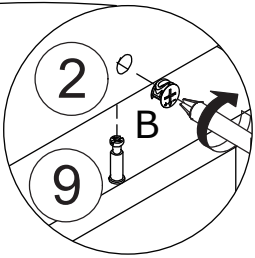
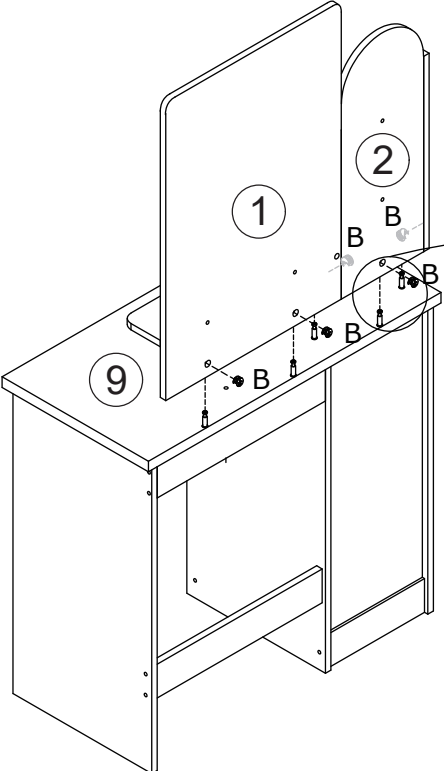
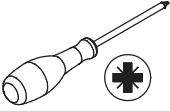
Connect board 2 to storage component using screw D as shown.

15



Fix screw A to board 9 (desktop).

16



Fix the mirror component and storage component to the desktop, and then insert cam lock into mirror 1 and board 2,3,7 and tighten as shown.

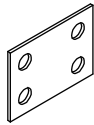
17

E x 4



CRD0312A

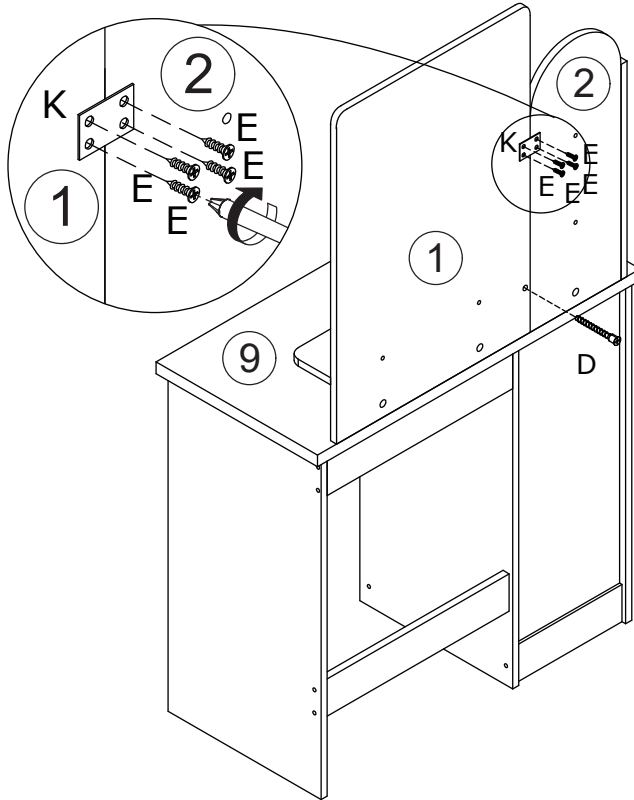
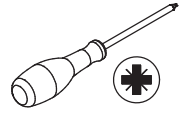
K x 1



D x 1



CRC0540A



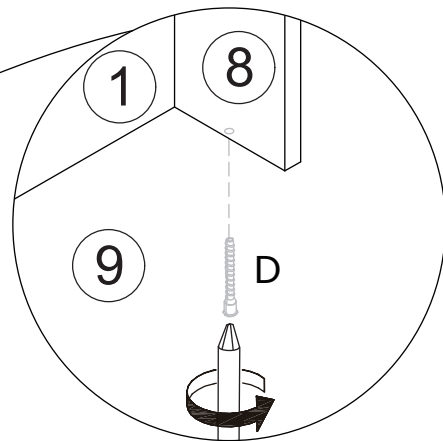
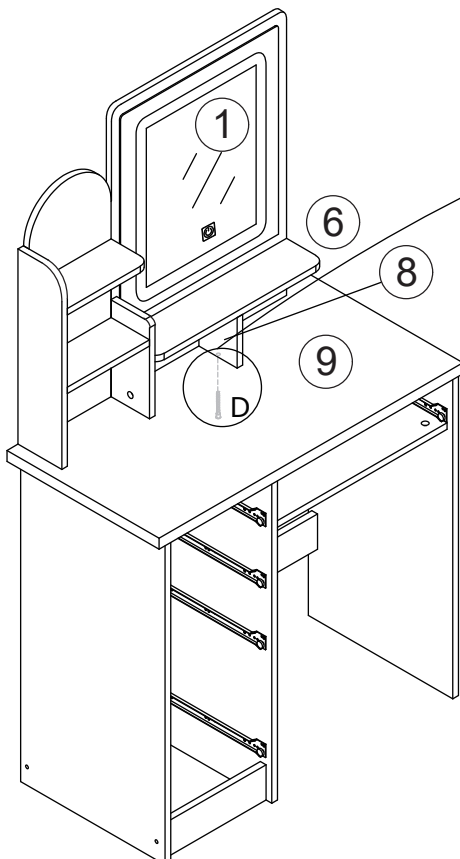
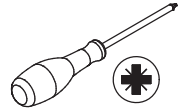
Use component K to fix the mirror component and storage component using screw E as shown. Connect mirror board 1 to board 7 using screw D as shown.

18

D x 1

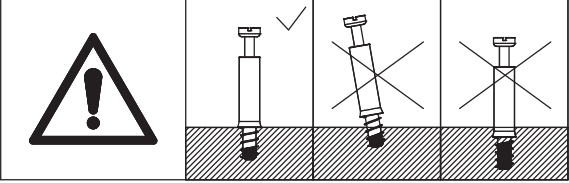
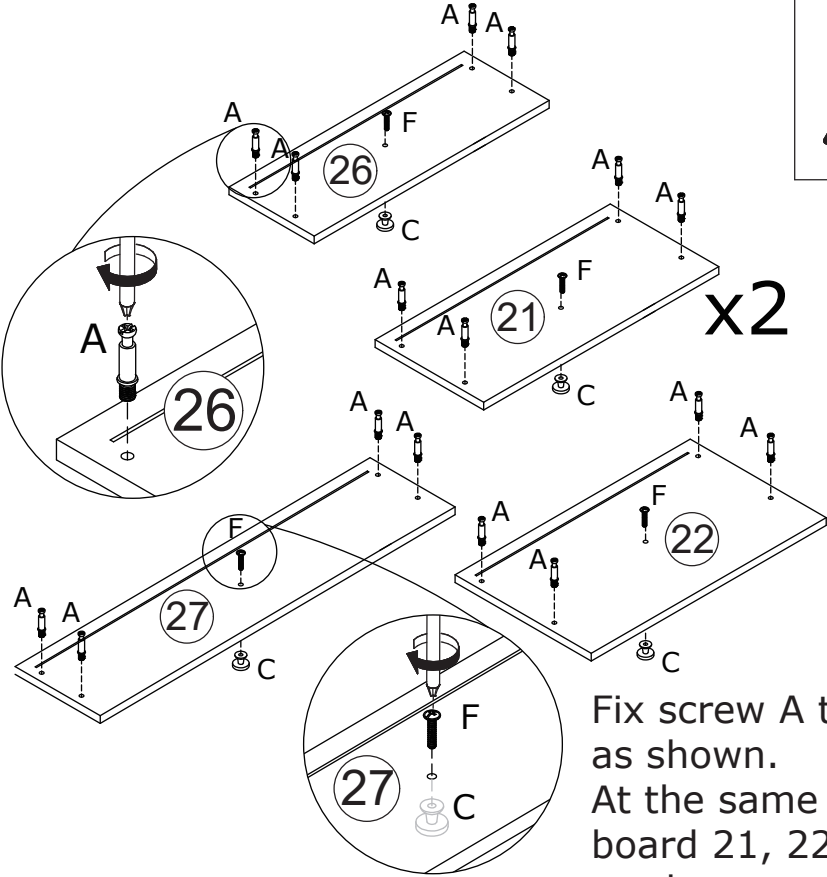
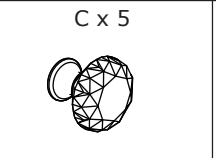


CRC0540A



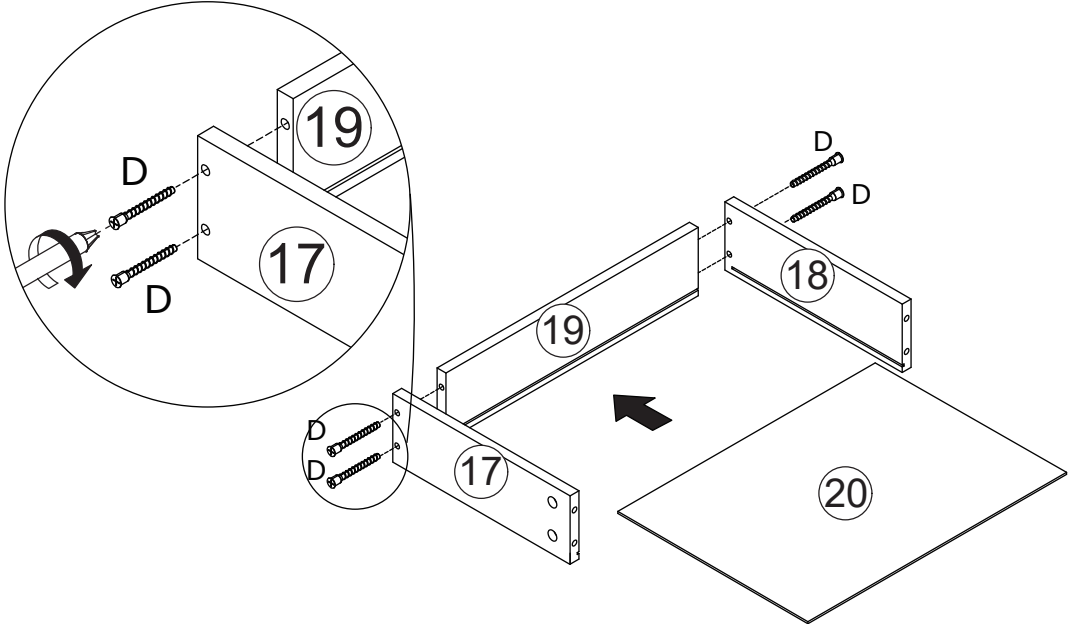
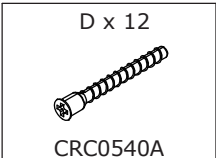
Fix board 8 to board 9 using screw D as shown.

19



Fix screw A to board 21, 22, 26 and 27 as shown.
At the same time, fix component C to board 21, 22, 26 and 27 using screw F as shown.

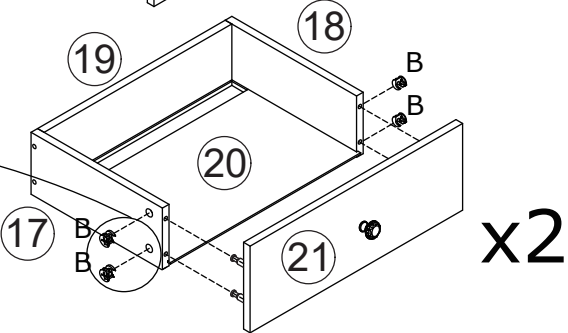
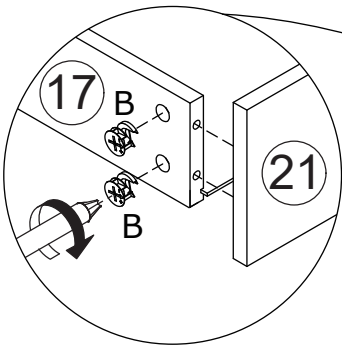
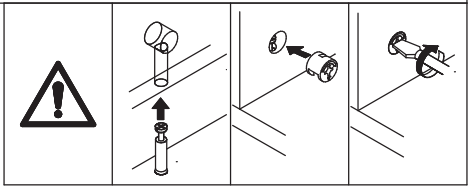
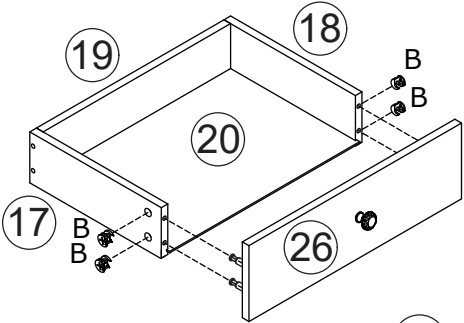
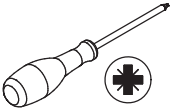
20



Connect board 17 and board 18 to board 19 using screw D, and then insert board 20 into the slots of board 17 and board 18 as shown.

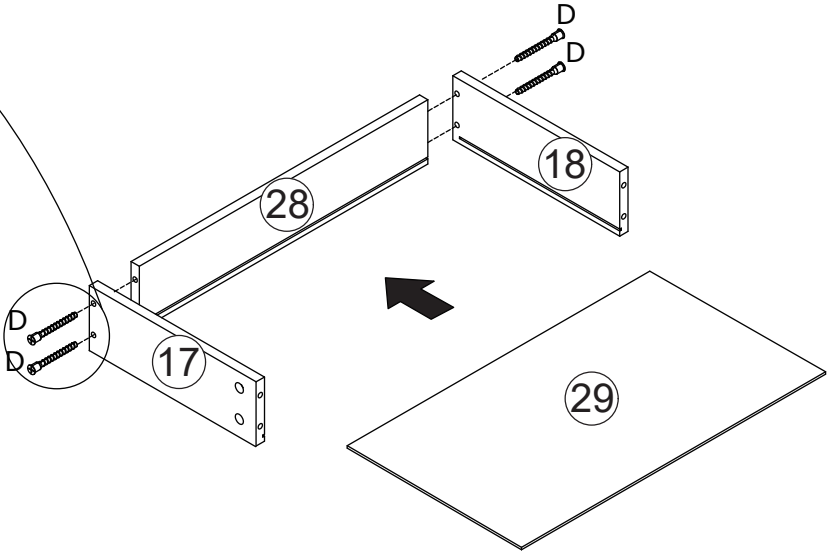
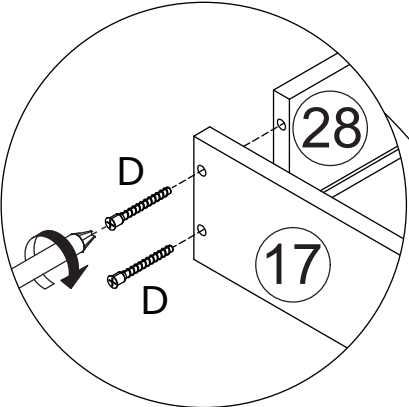
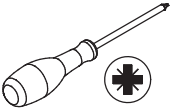
x3

21



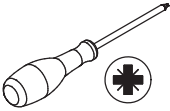
Connect board 26 and board 21 to board 17 and board 18 respectively, and then insert cam lock into board 17 and board 18 and tighten as shown.

22

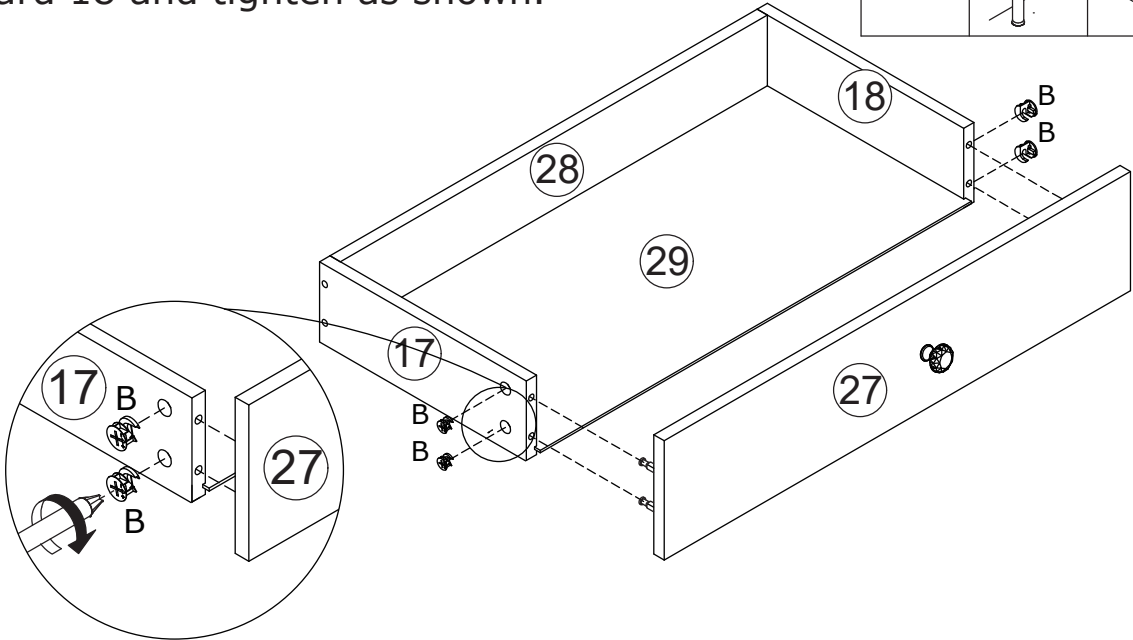
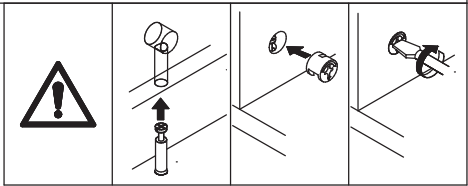


Connect board 17 and board 18 to board 28 using screw D, and then insert board 29 into the slots of board 17 and board 18 as shown.

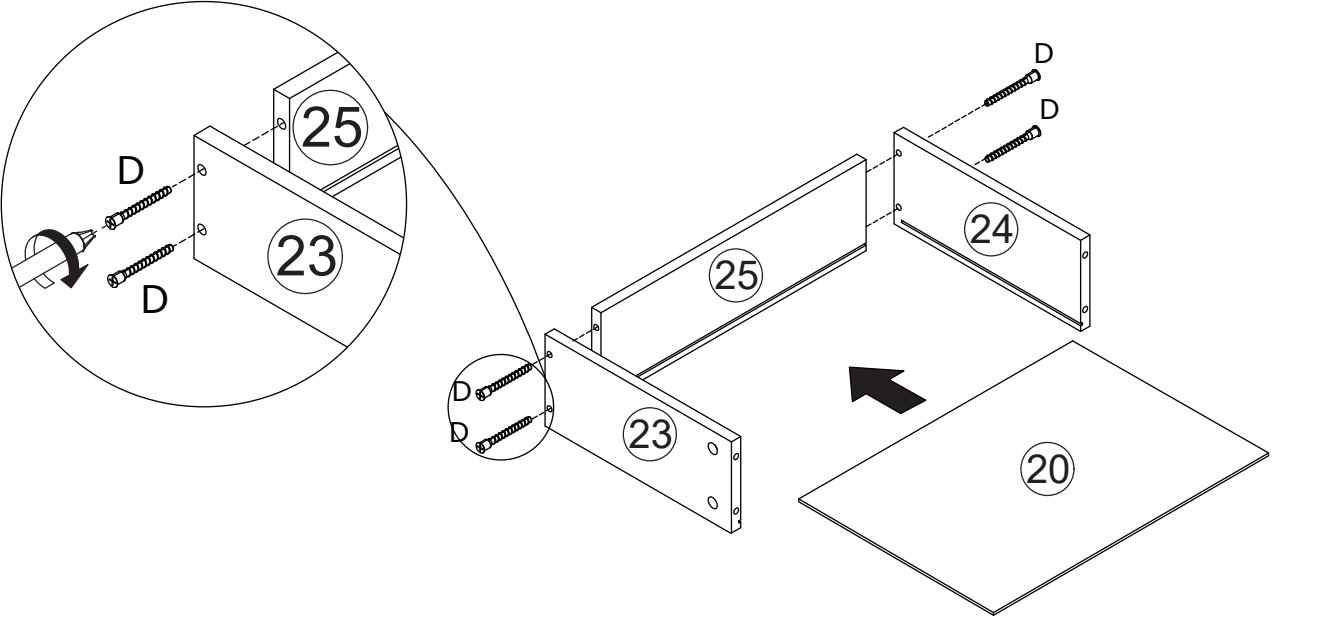
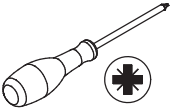
23



Connect board 27 to board 17 and board 18, and then insert cam lock into board 17 and board 18 and tighten as shown.

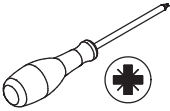


24

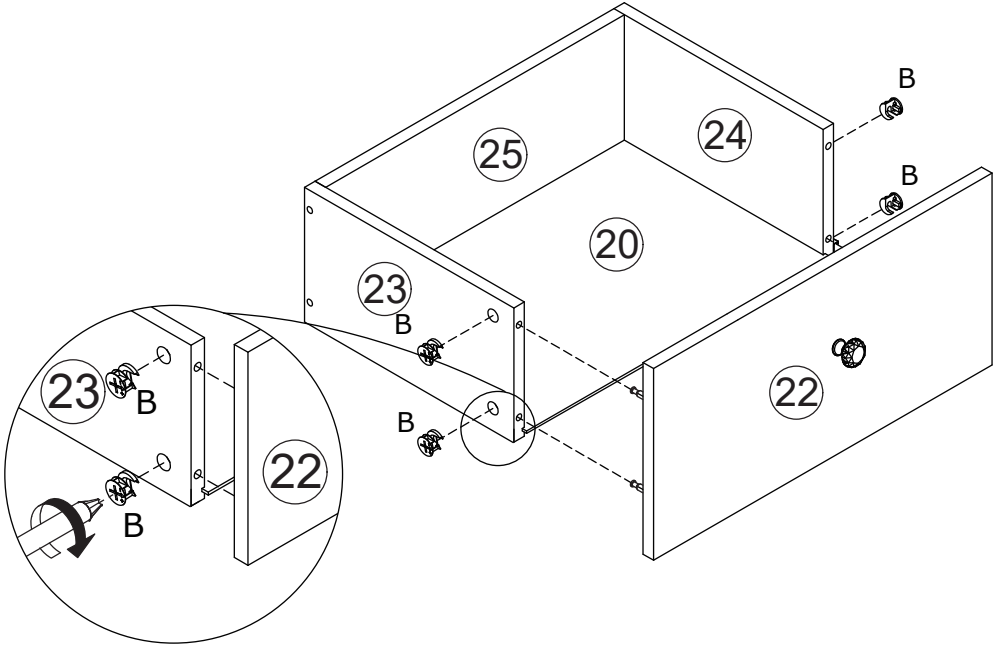
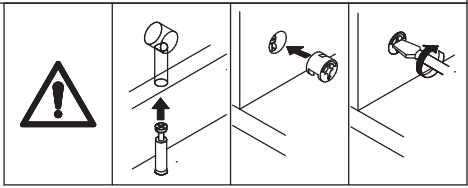


Connect board 23 and board 24 to board 25 using screw D, and then insert board 20 into the slots of board 23 and board 24 as shown.

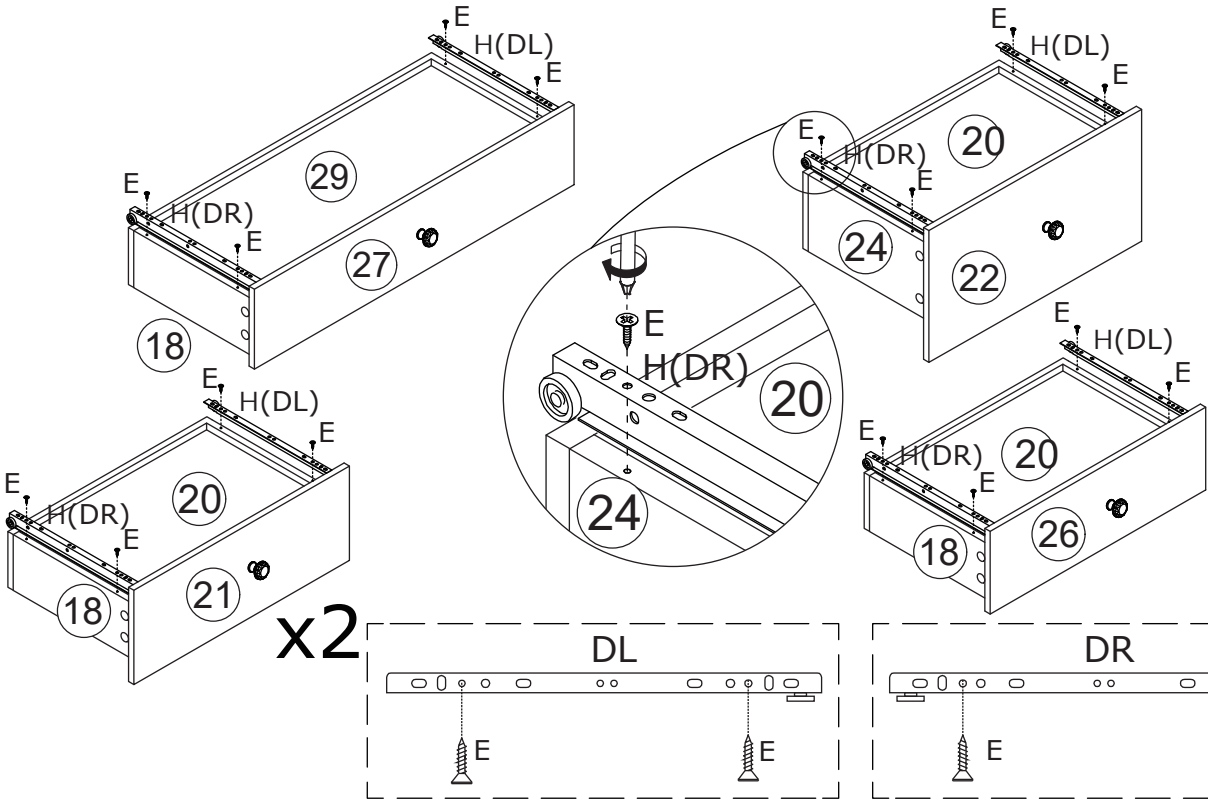
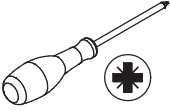
25



Connect board 23 and board 24 to board 22, and then insert cam lock into board 23 and board 24 and tighten as shown.

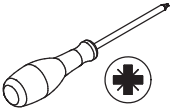


26

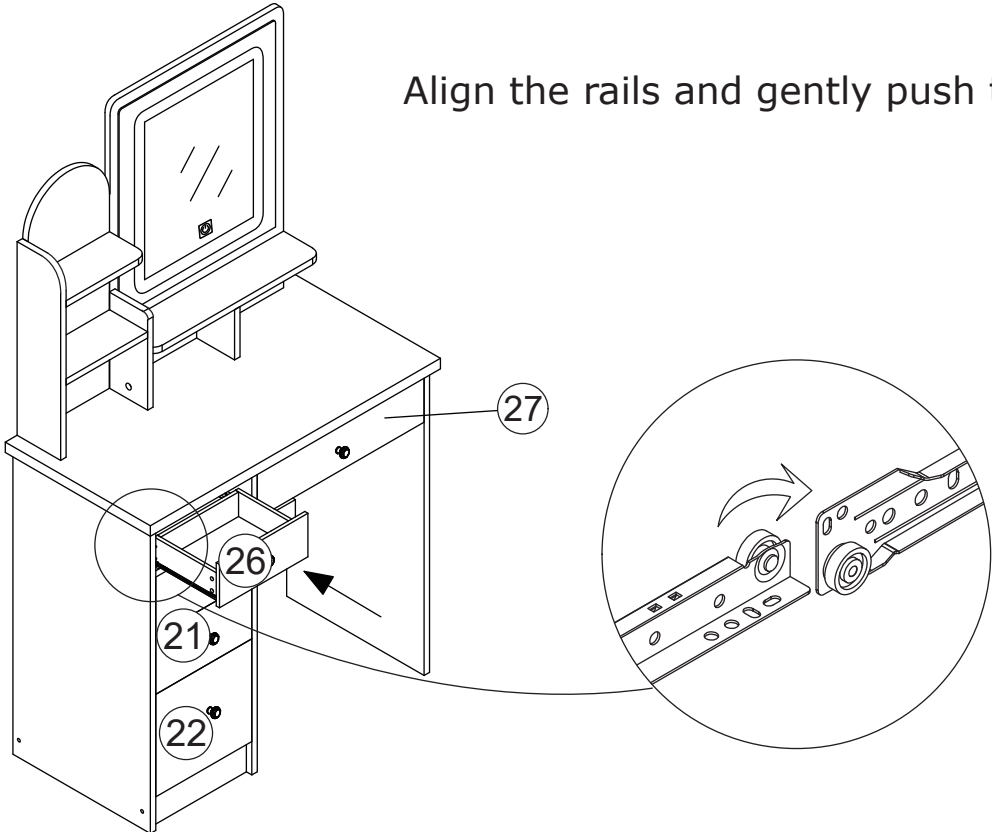


Fix rail H to drawer sides using screw E as shown.

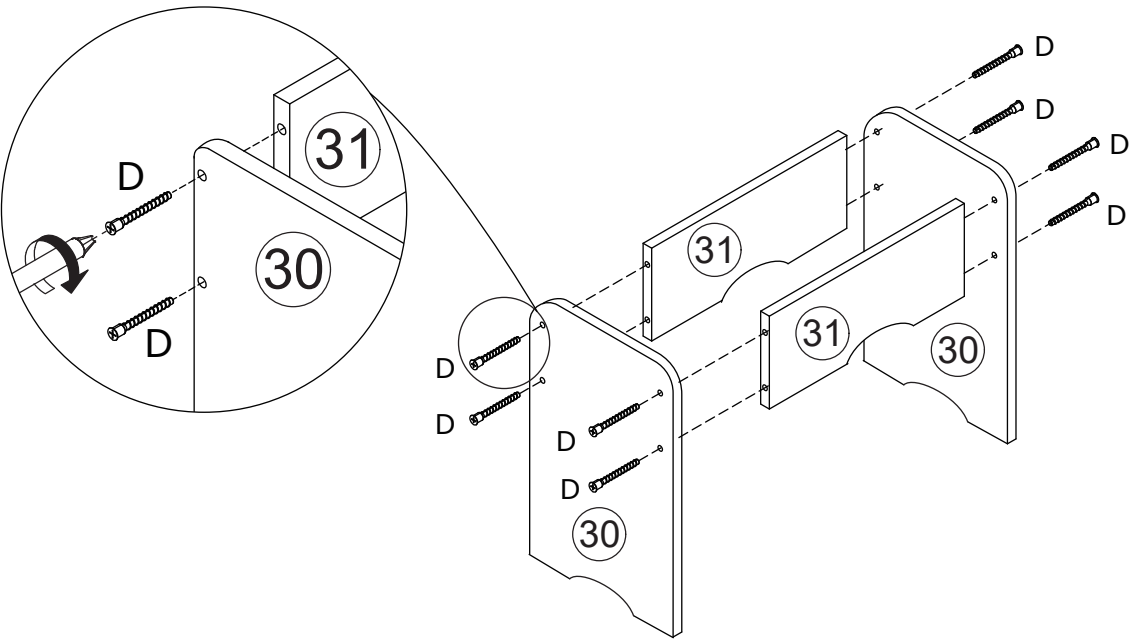
27



Align the rails and gently push them in.

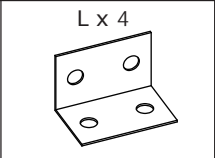
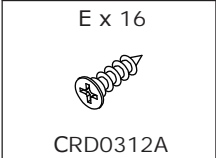


28

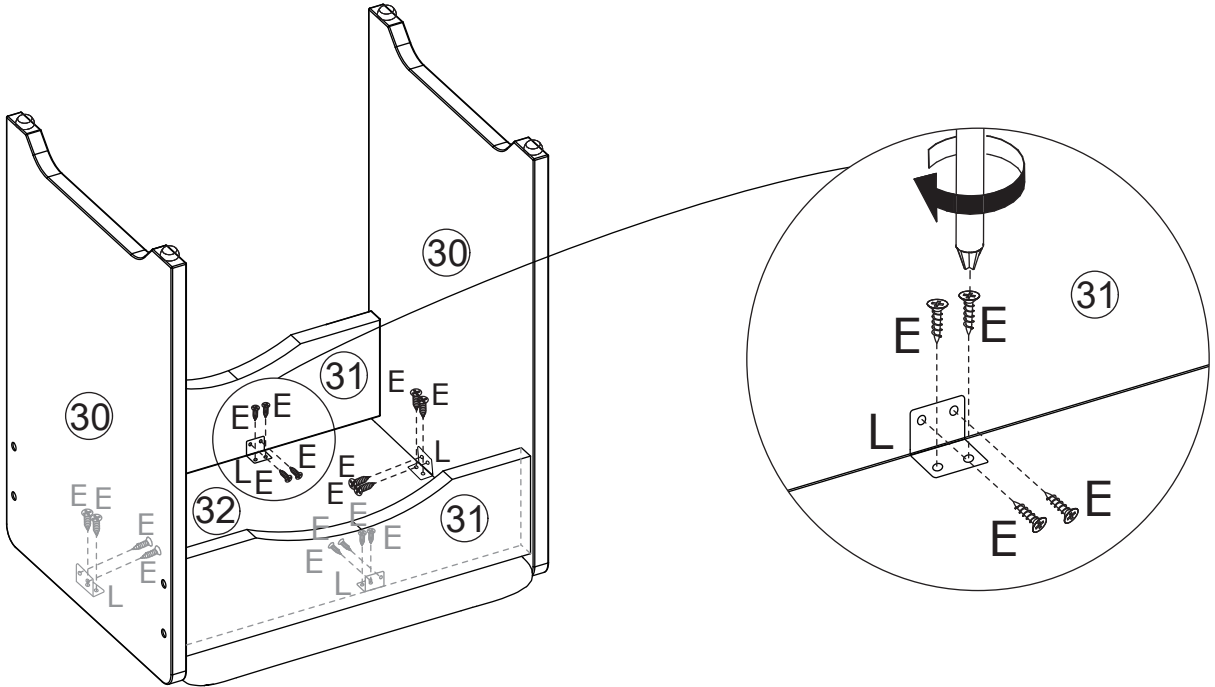


Connect board 30 to board 31 using screw D as shown.

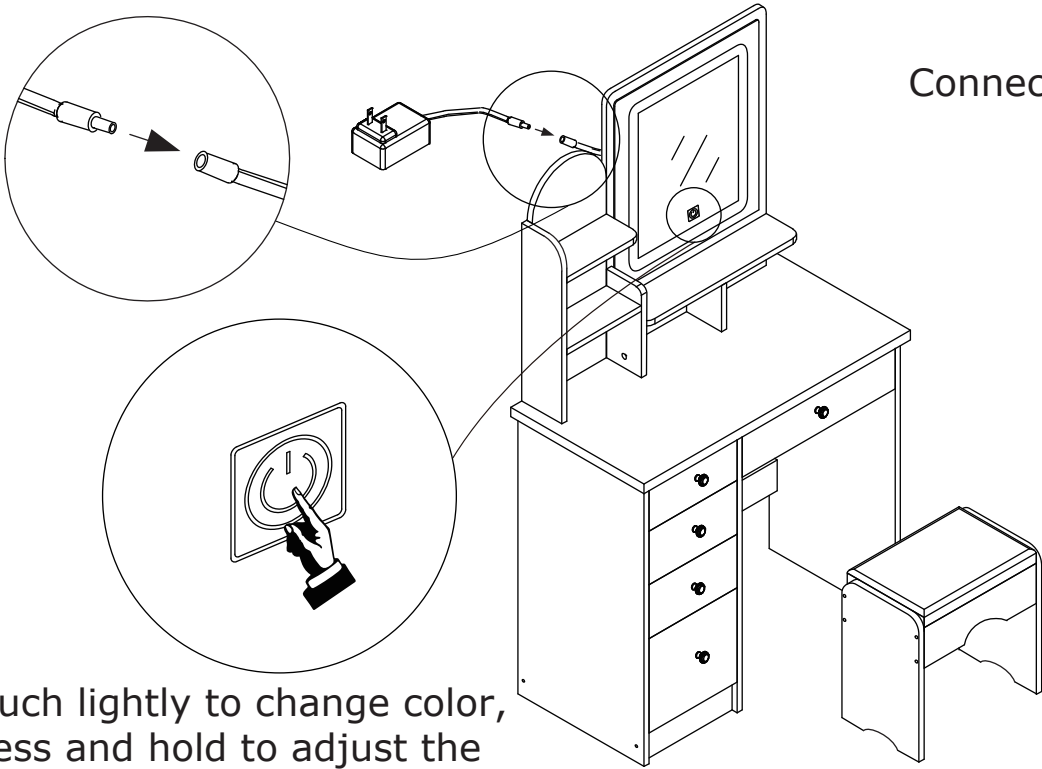
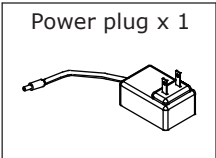
29



Attach board 32 to stool top and fix corner code L to it with screw E as shown.



30



Connect power.

Touch lightly to change color, press and hold to adjust the brightness.

WARRANTY

WARRANTY CLAIMS

- There is a 30-day warranty for broken furniture or any other problems that do not work properly. The warranty will start from the date of purchase which must be verified by proof of purchase.
- Before making a claim, we may be able to answer your query, simply call us. Please leave your purchase order number, along with some details of the problem, if you want a replacement part. We will arrange within 48 hours. If there is out of stock, we will reply with a shipping date.
- The product must be used in accordance with the instructions provided. For health reasons.
- For other reasons, if the furniture needs to be returned, it must be cleaned and dried and operated within 30 days of receipt.

Type of Warranty Claim

- Failure to follow the furniture instructions will invalidate the warranty. Attention please.
- Does not include damage during installation, but includes damage during transportation.

Scope of responsibility

- Shall not bear any responsibility for misuse or user damage and / or loss of parts during the installation of furniture.
- After using, the damage and scratches of the furniture are not covered by the warranty.

The Warranty Relates to All Bought in The Us and Covers The Following Areas

- Sheet parts: 1 month from the date of purchase.
- Electrical parts: 1 month from the date of purchase.