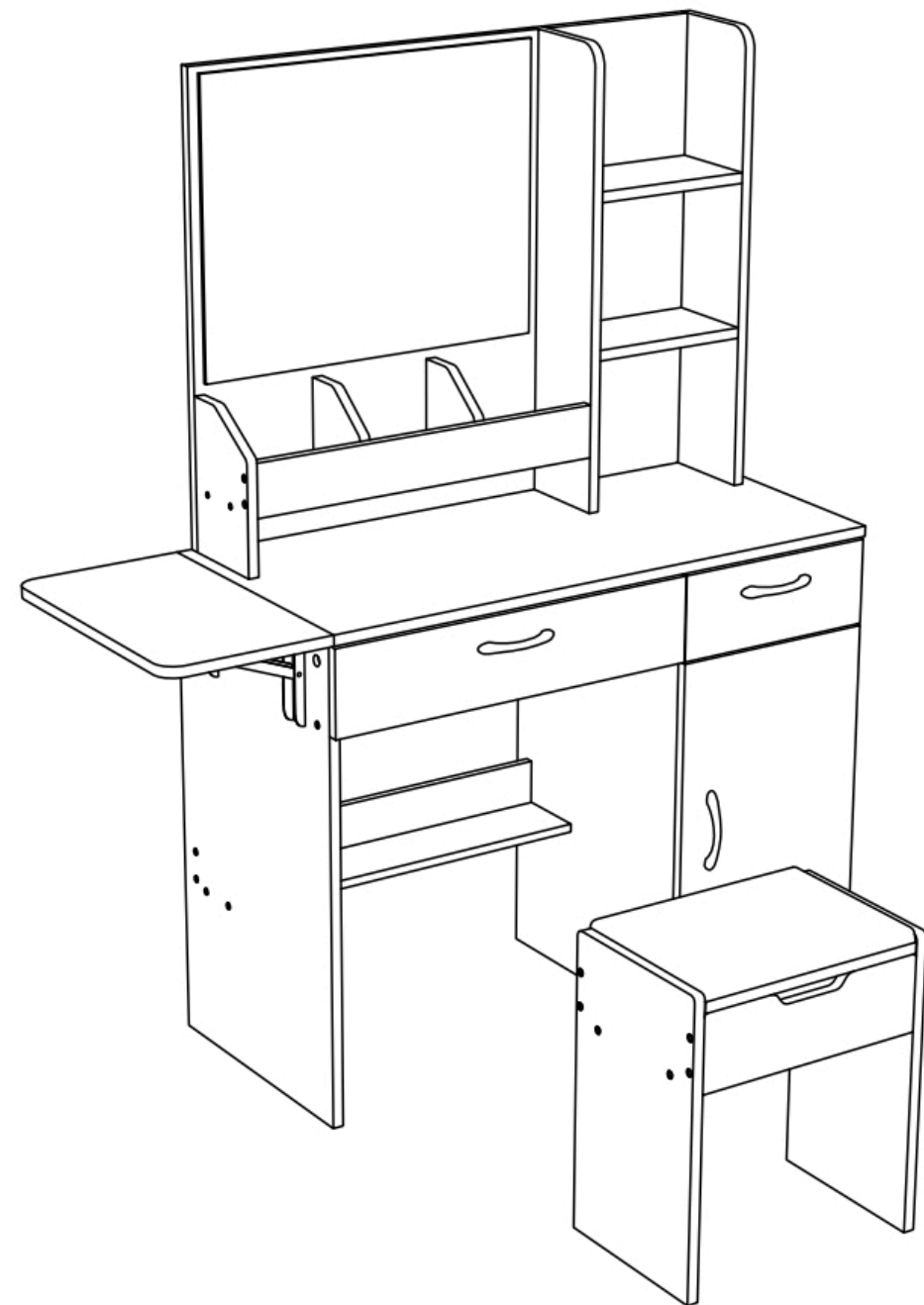
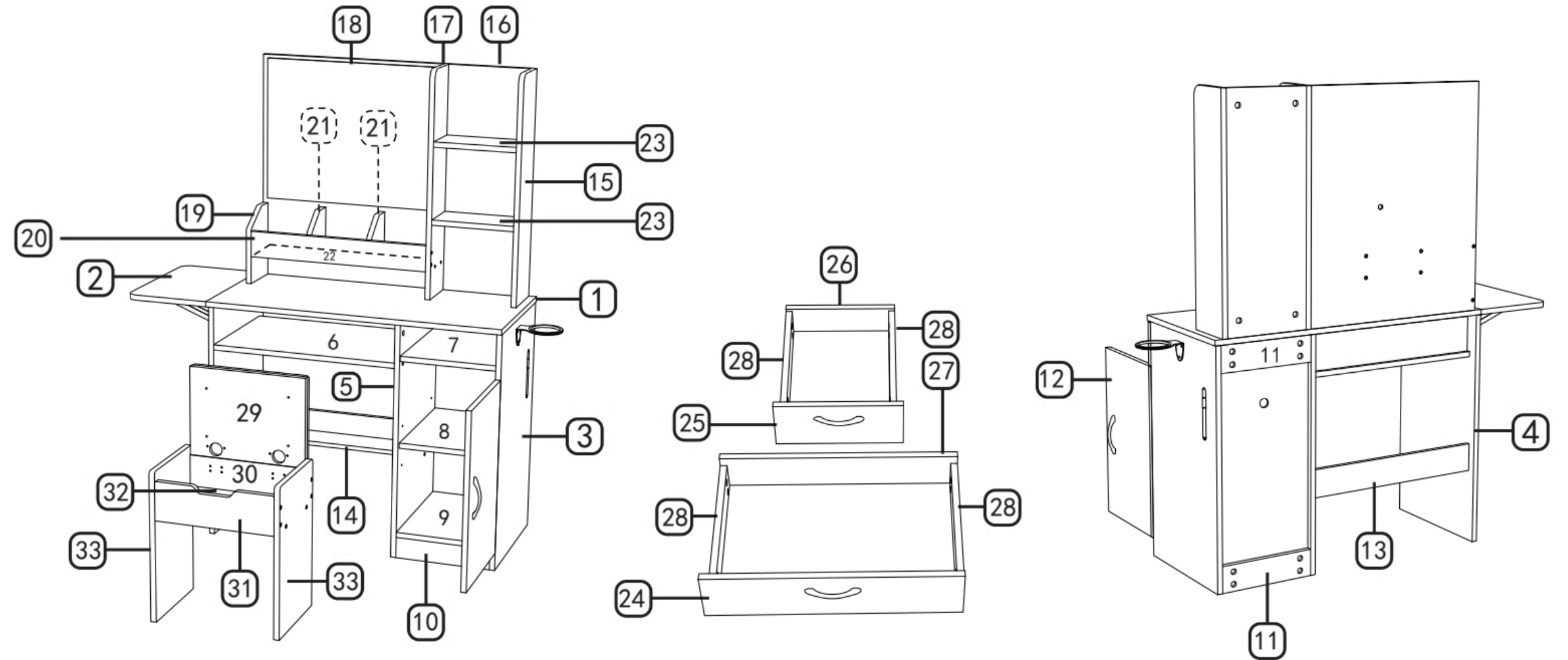









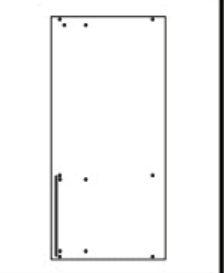

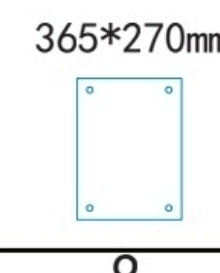
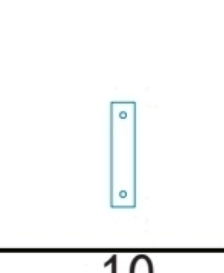
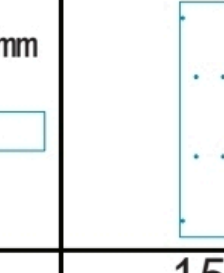
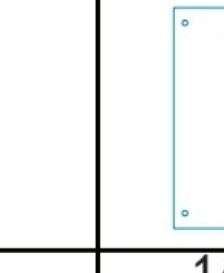
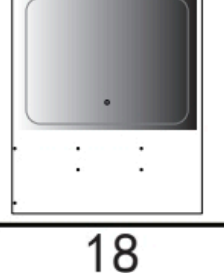
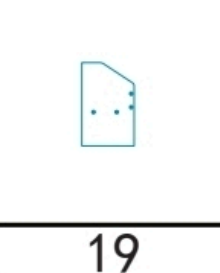
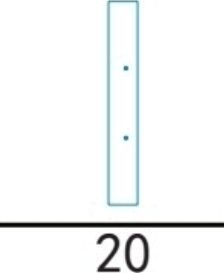
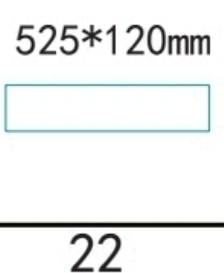
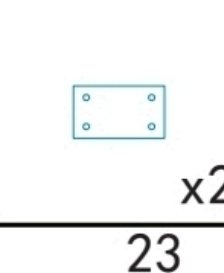
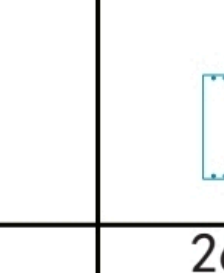
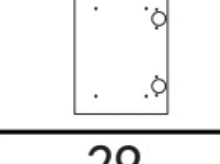
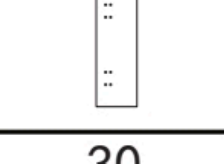

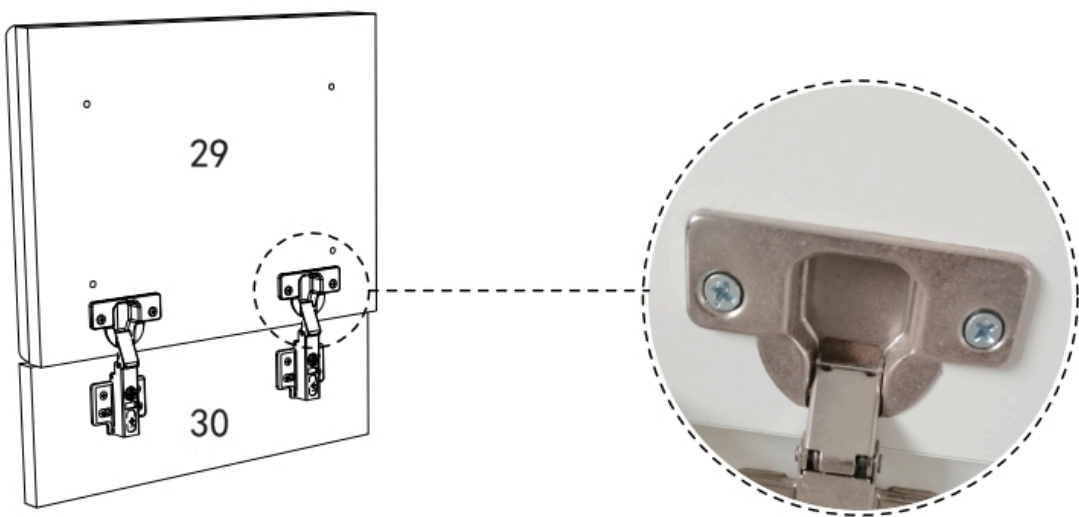


Dressing table ST15

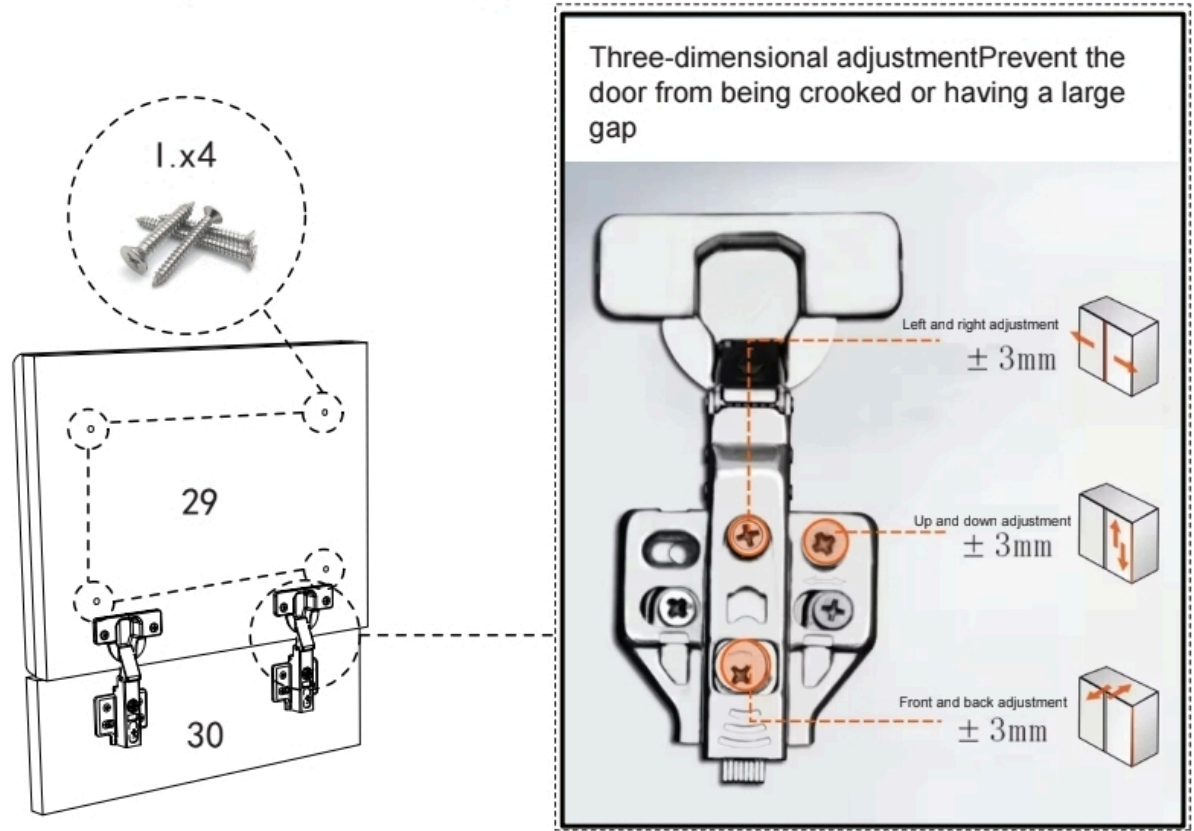


 x6	 x46	 5*40mm x50	 3.5*14mm x38	 x3	 x6	 x4	 x1	 3.5*25mm x4	 x1
 x10	 x2	 x4		 1	 2	 3	 4	 5	 531*355mm 6
 7	 8	 9	 10	 11 x2	 12	 531*80mm 13	 531*100mm 14	 15	 16
 17	 18	 19	 20	 21 x2	 525*120mm 22	 x2 23	 24	 25	 26
 27	 28 x4	 29	 30	 31	 320*208mm 32	 x2 33	 Soft packaging 34	 35	 36

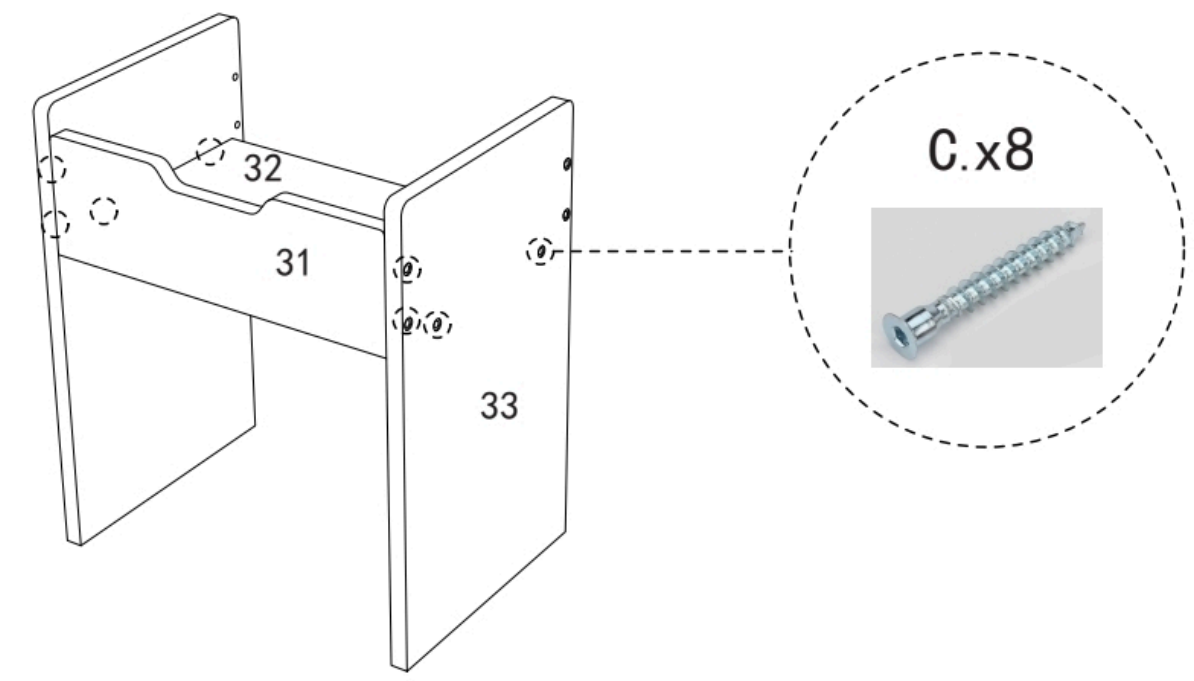
1 Install the hydraulic hinge as shown in the figure. First, install the No. 29 cover plate.



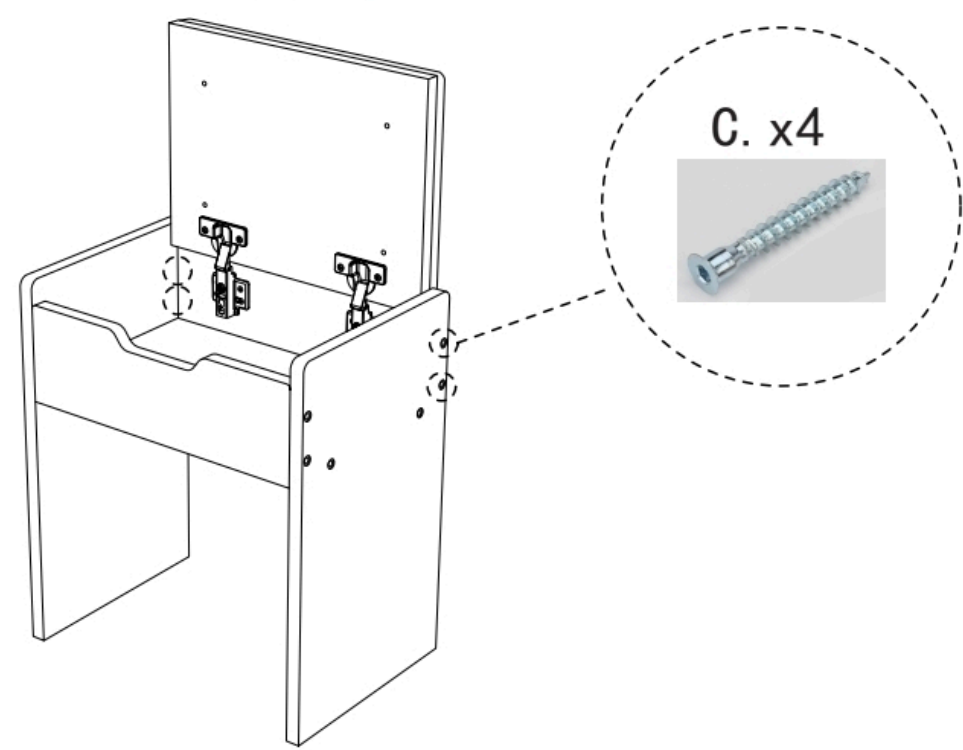
2 Install the hydraulic hinge. As shown in the figure, the hinge can be adjusted at plate No. 30.



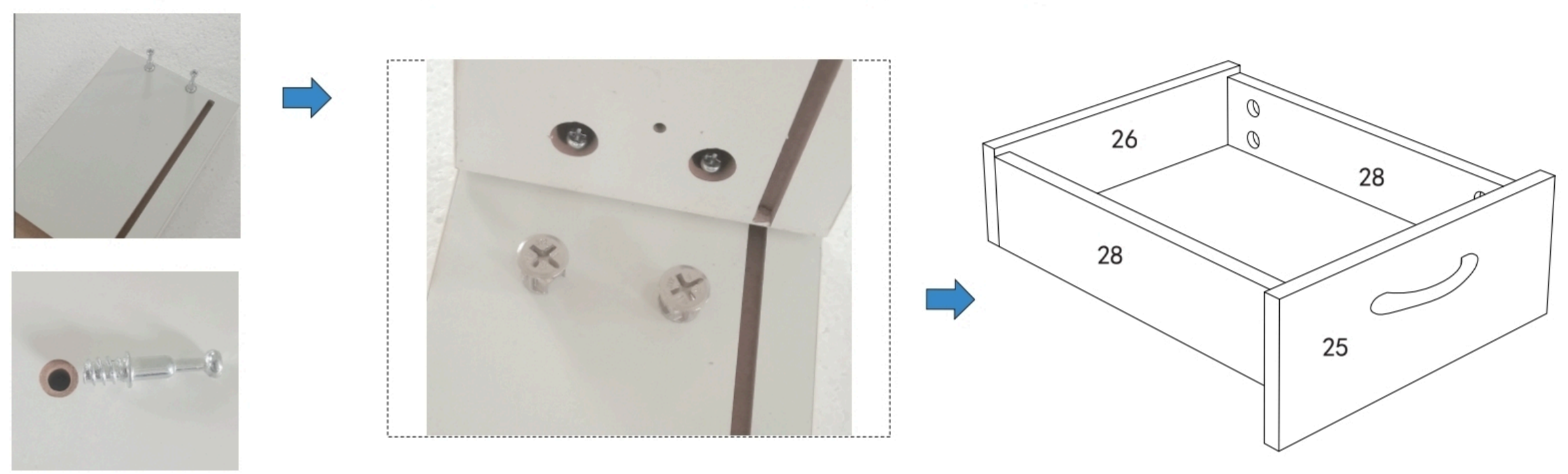
3 A hexagonal wrench tool is needed. At the beginning, each self-tapping thread does not need to be tightened too much.



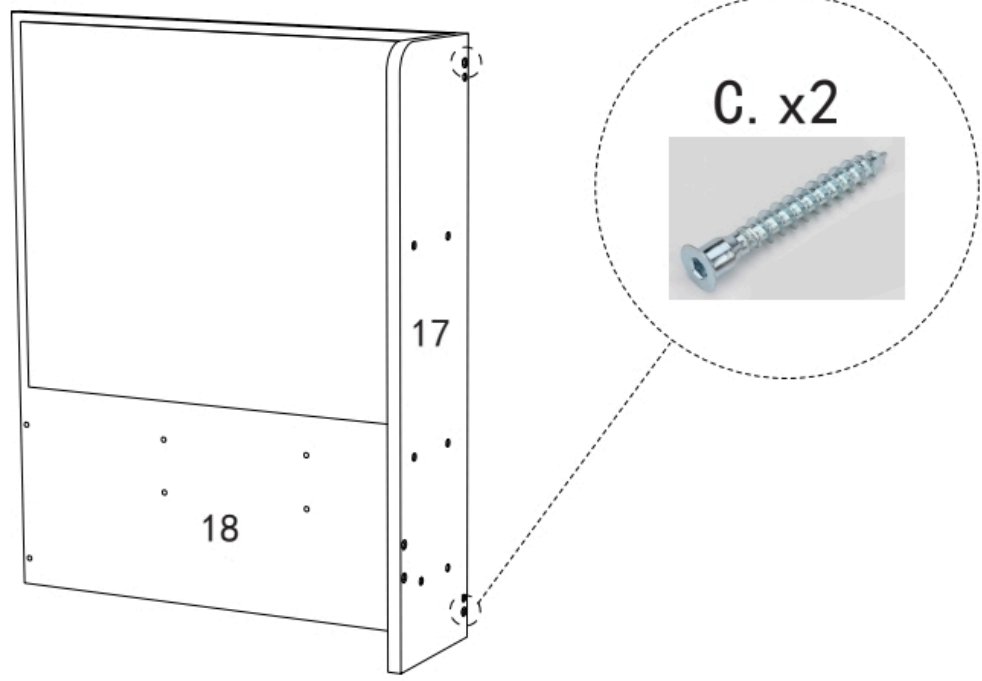
4 Lock all self-tapping threads



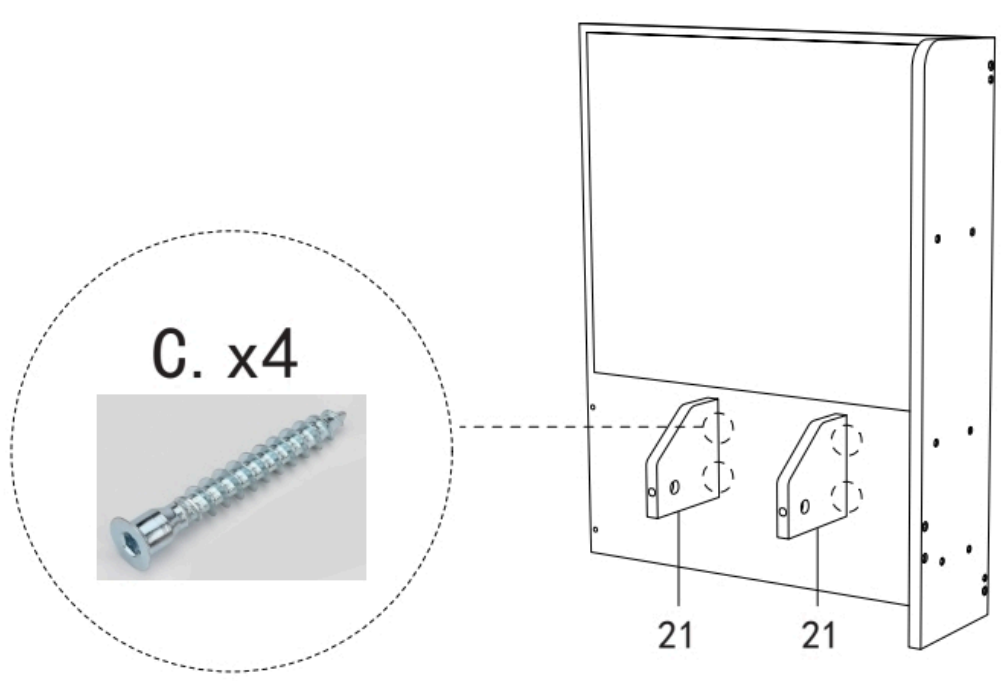
5 When installing the eccentric wheel, point the arrow towards the opening, and then Tighten it clockwise.



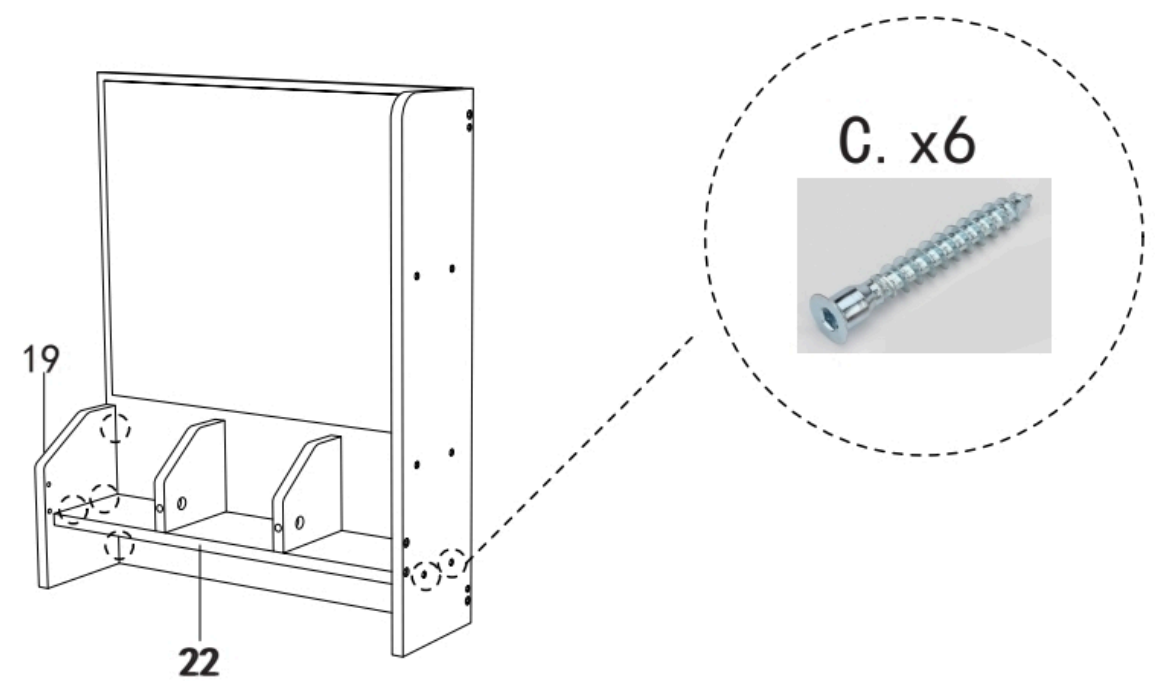
6



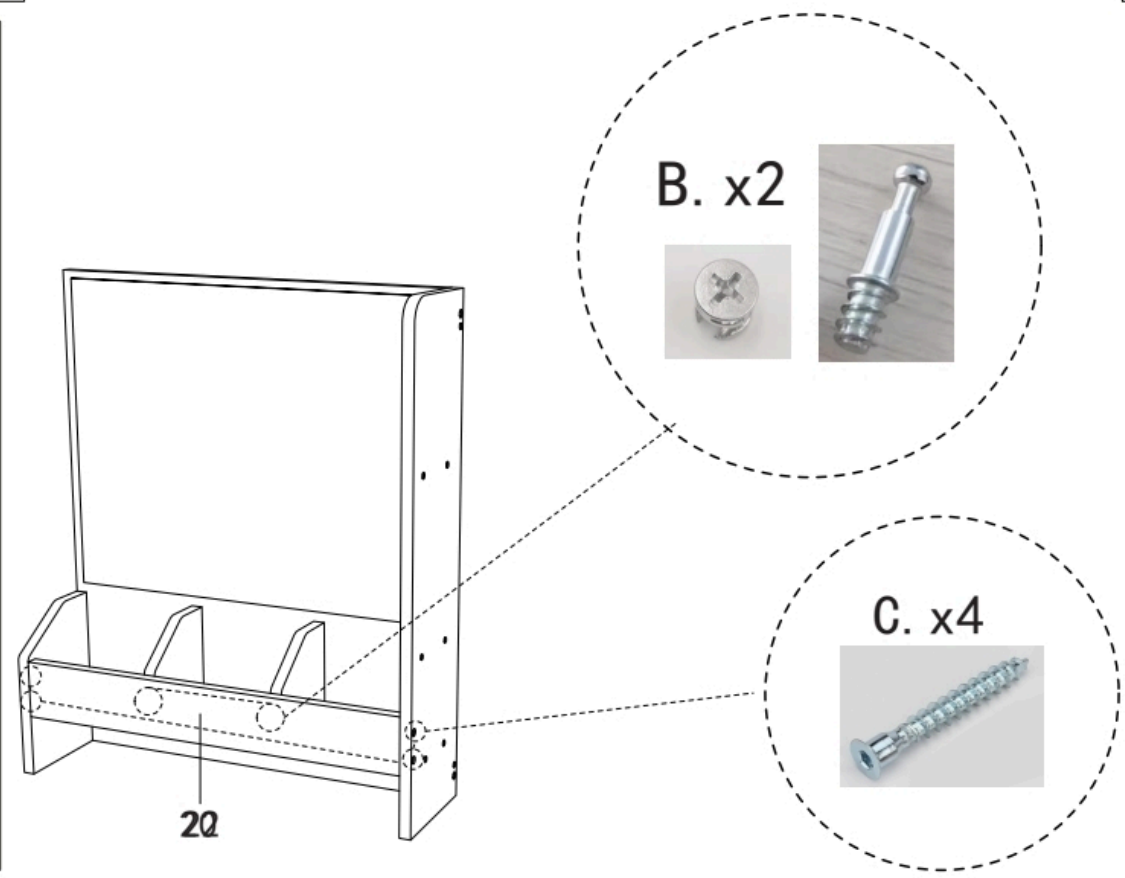
7



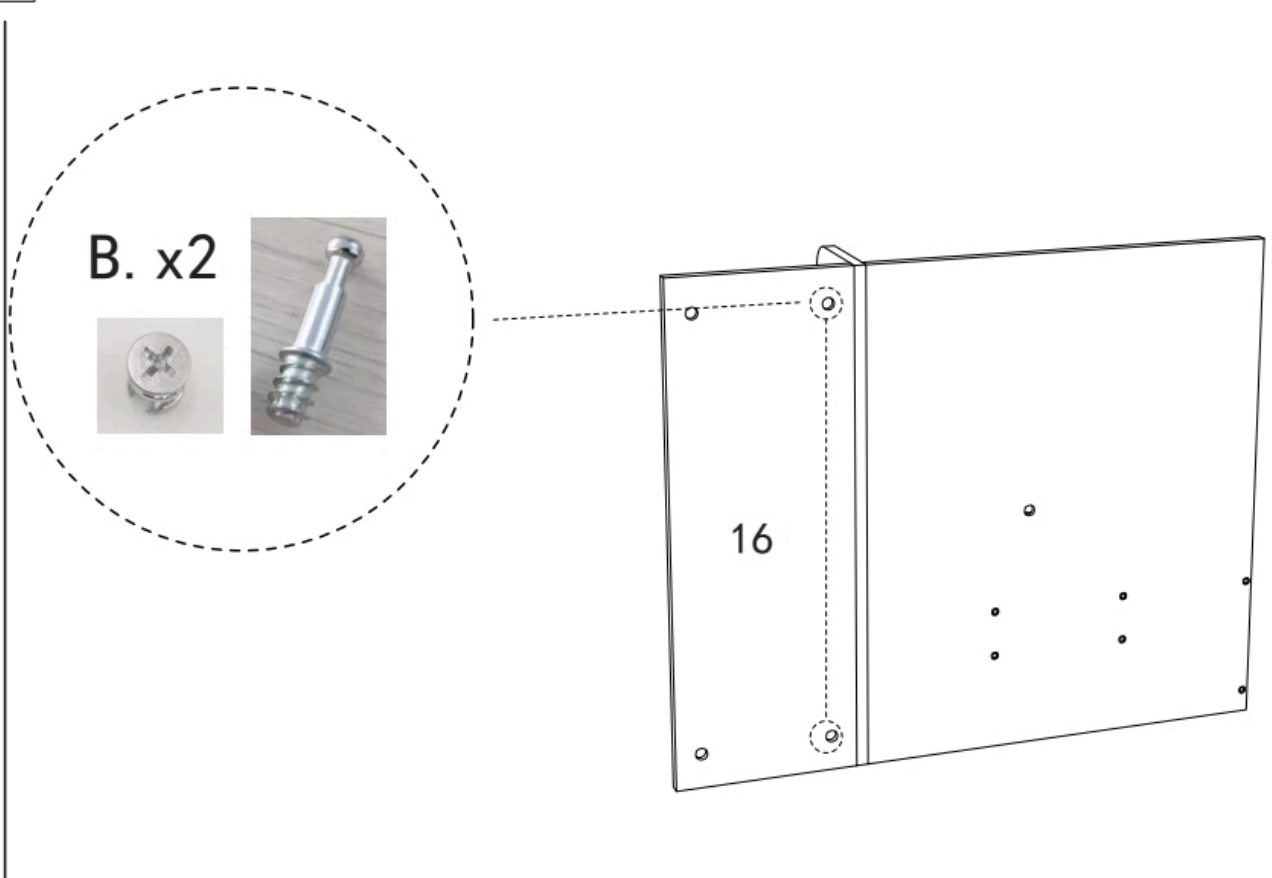
8



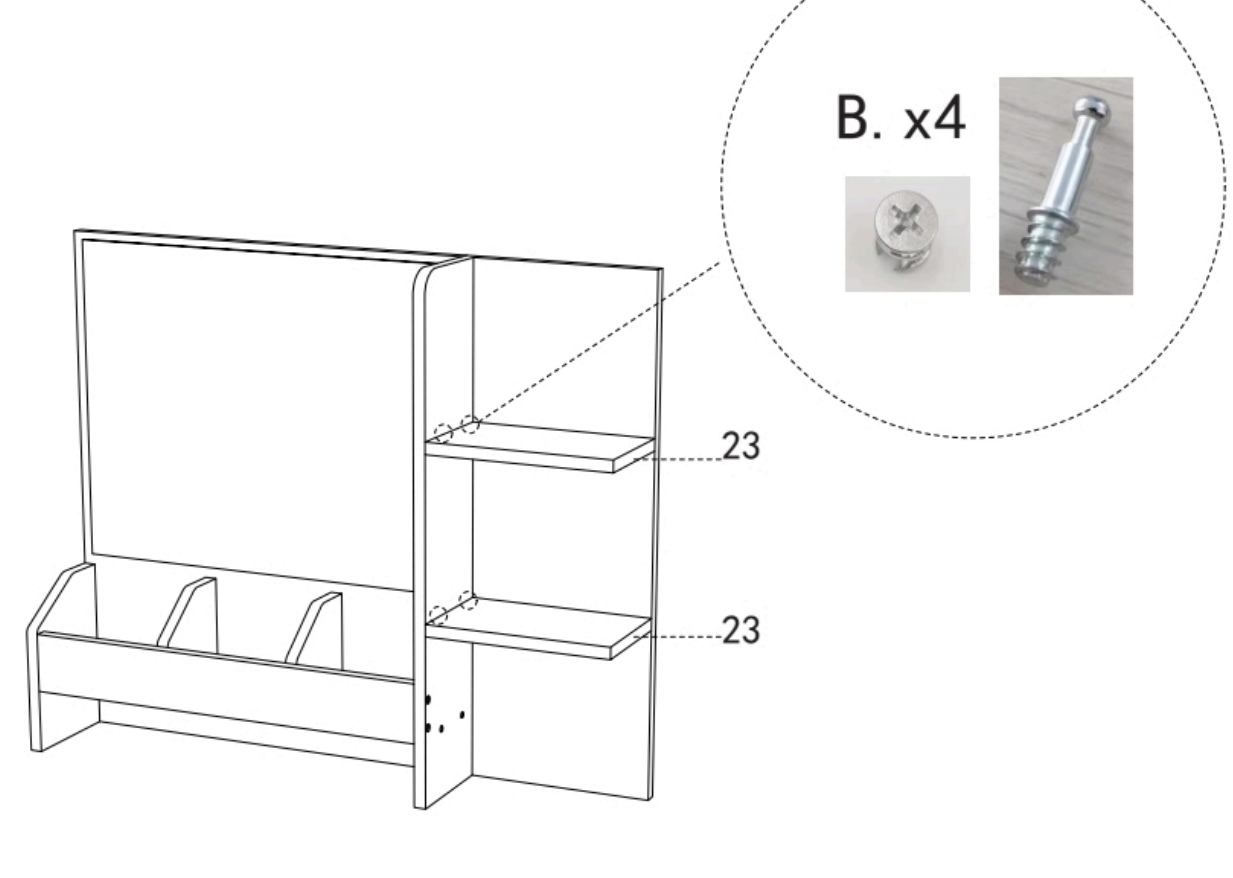
9



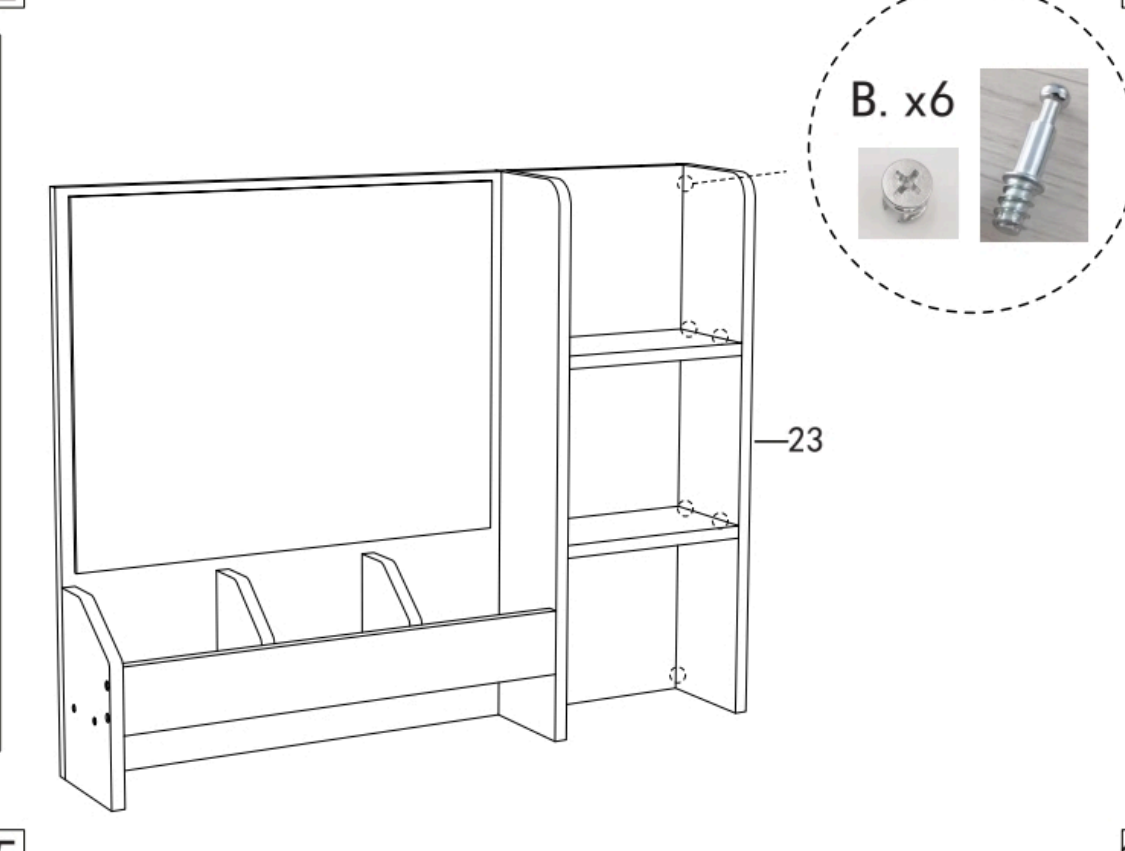
10



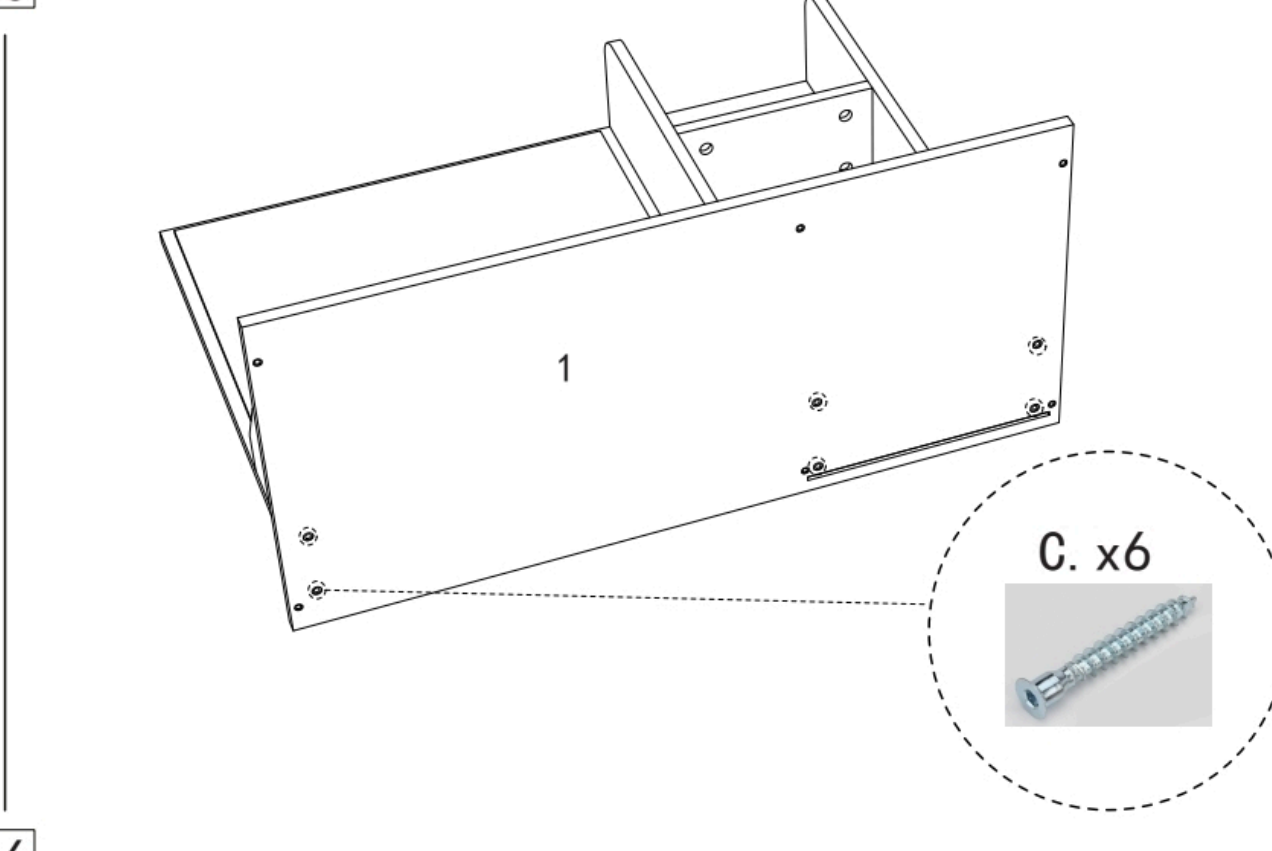
11



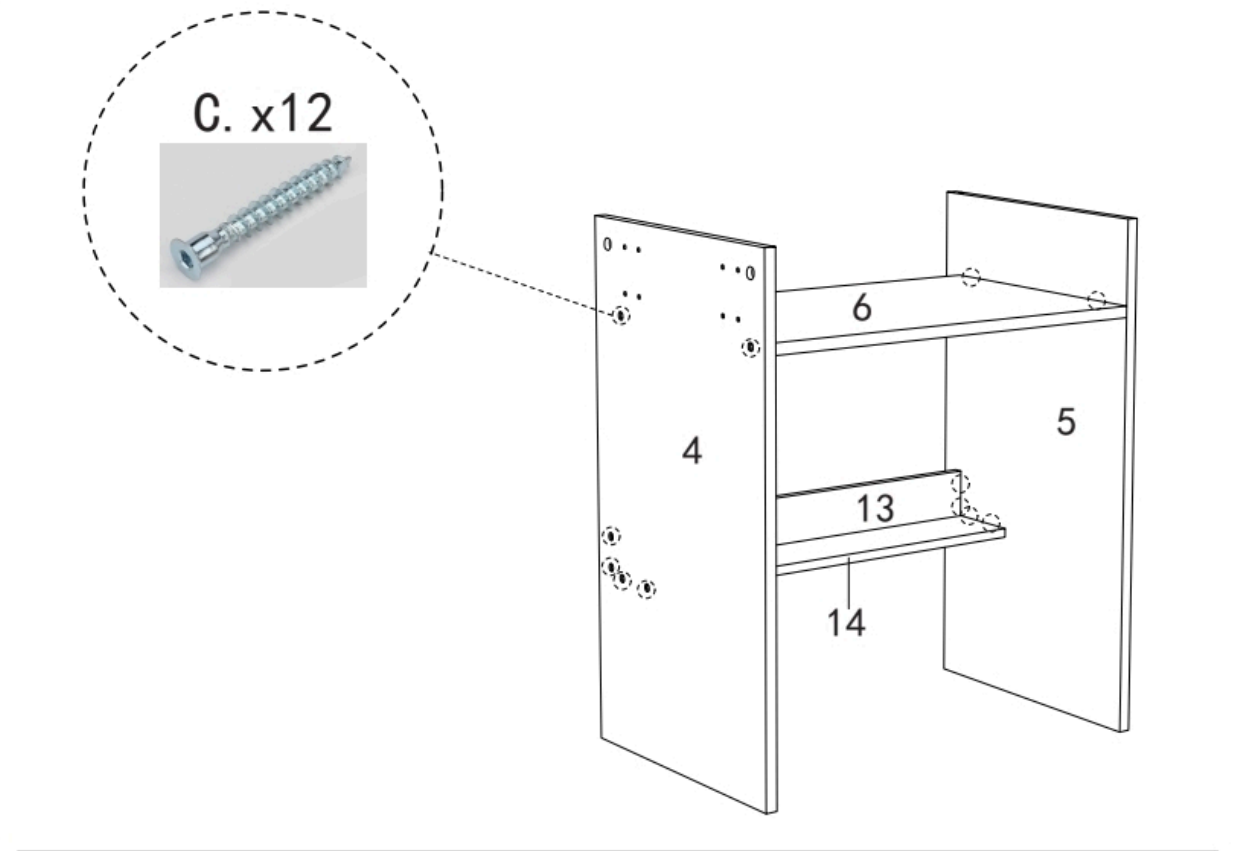
12



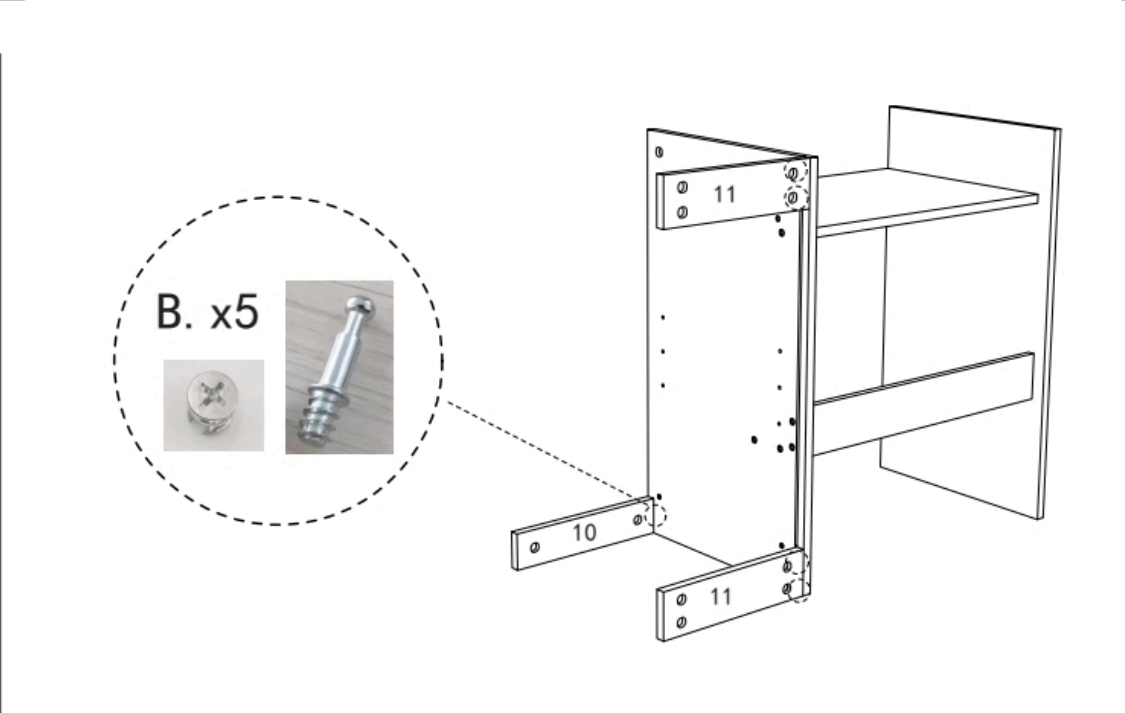
13



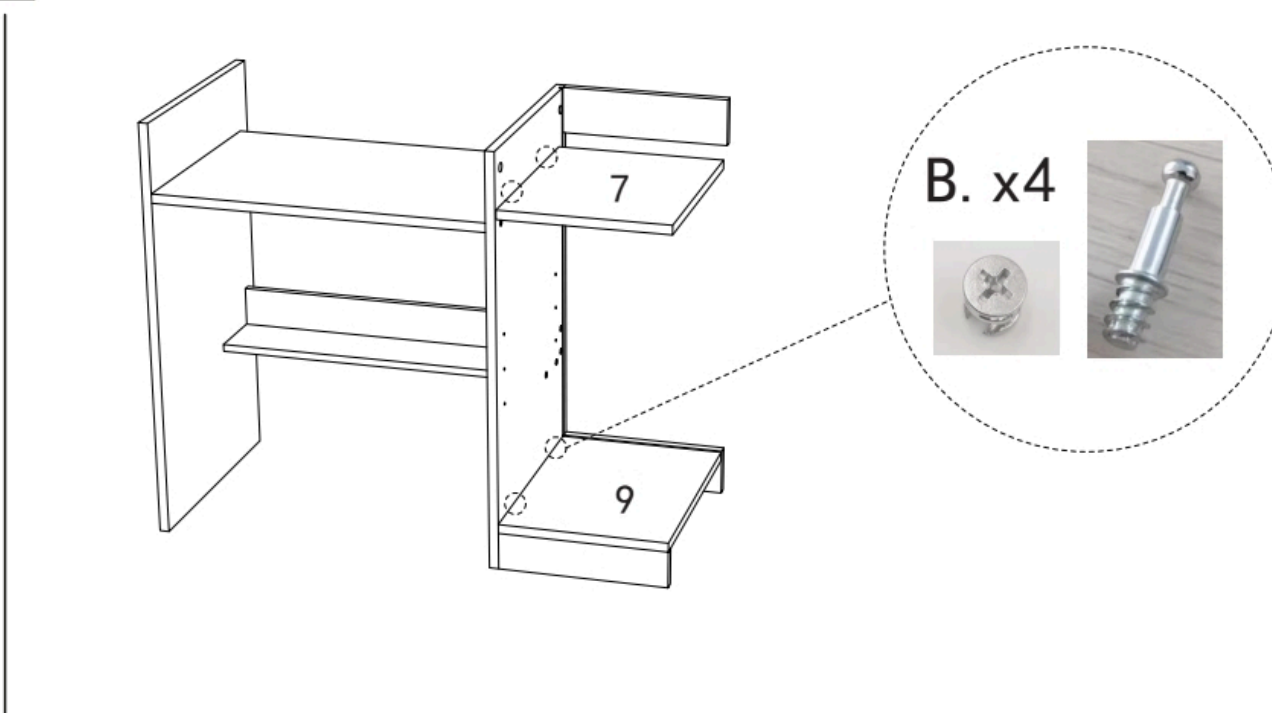
14



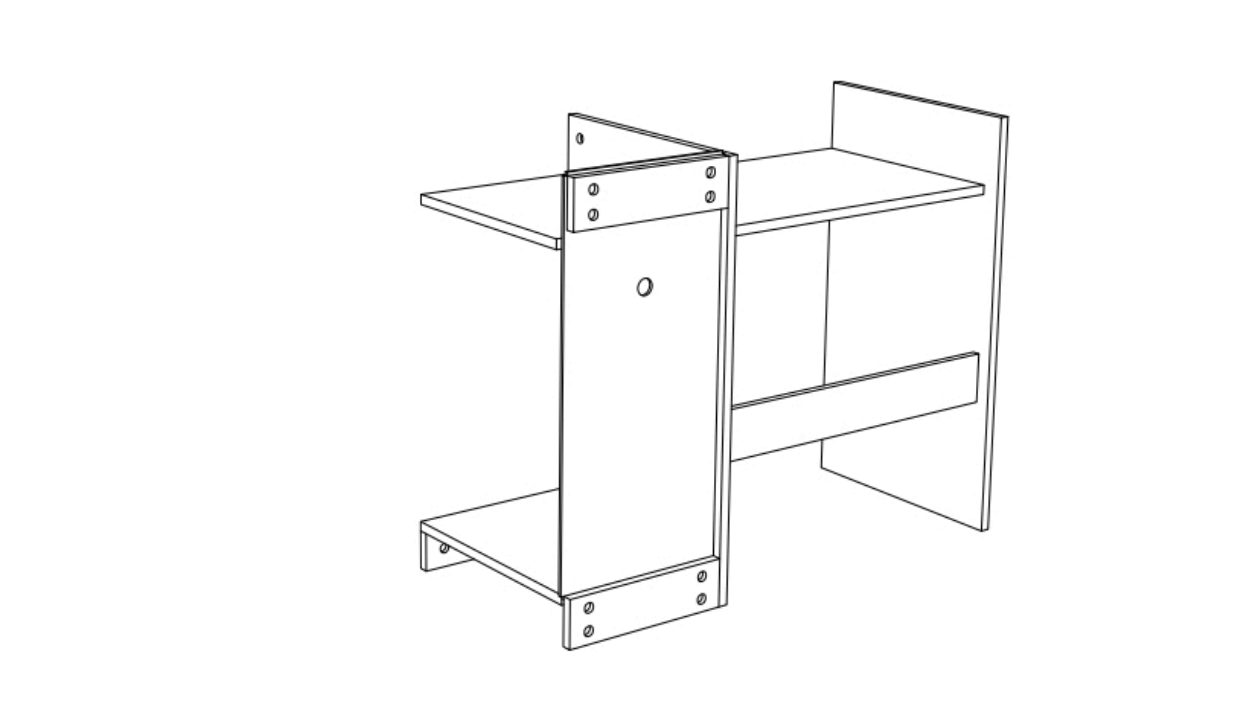
15



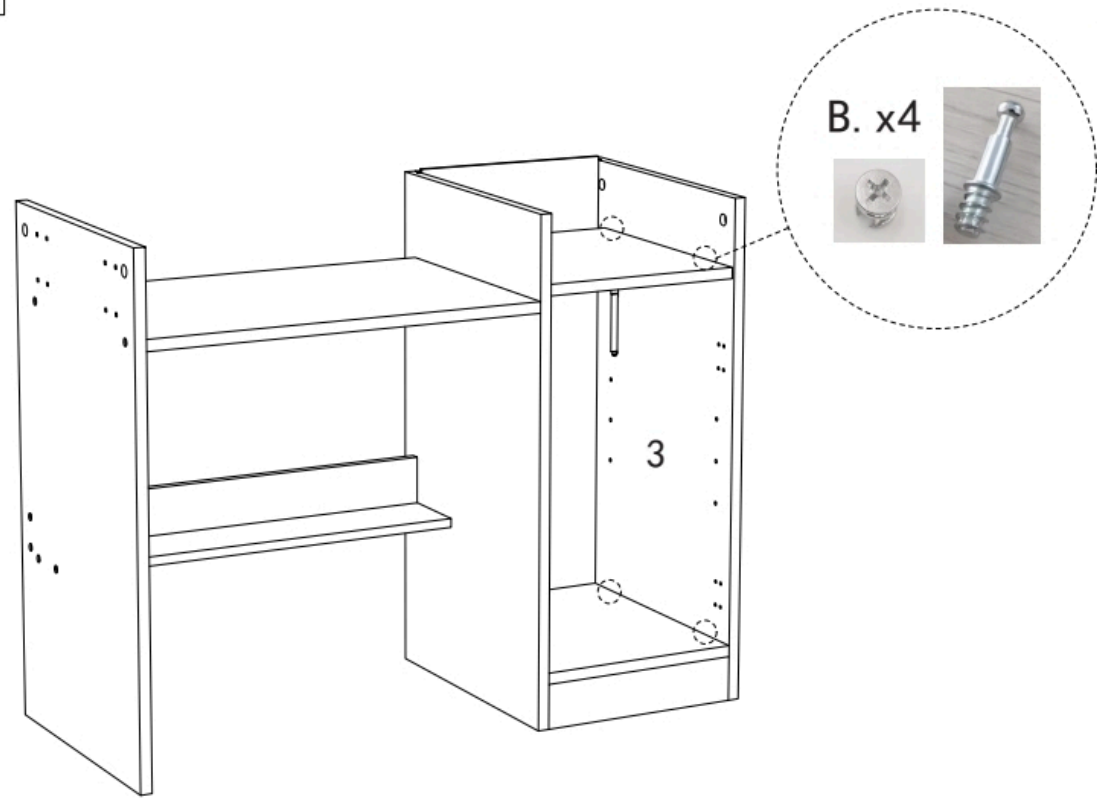
16



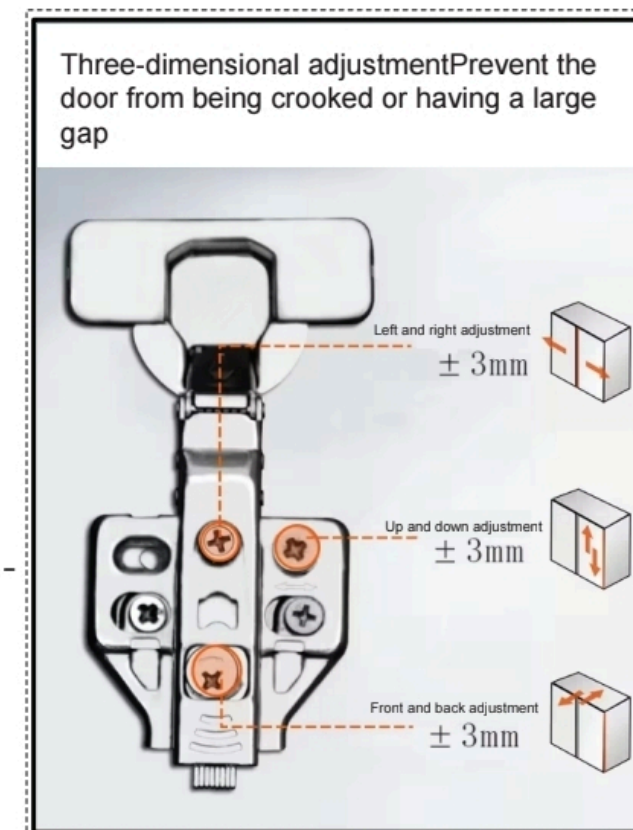
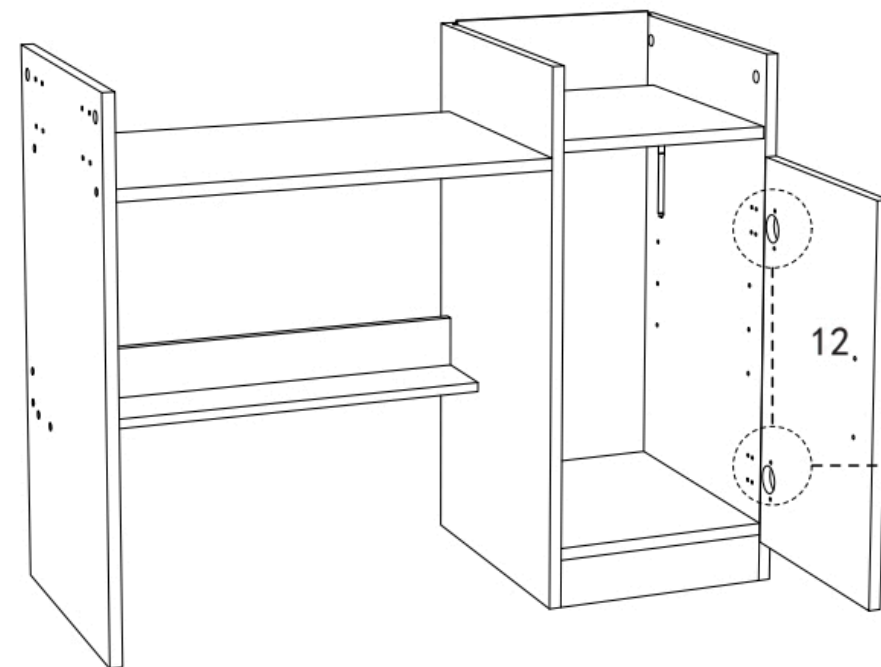
17



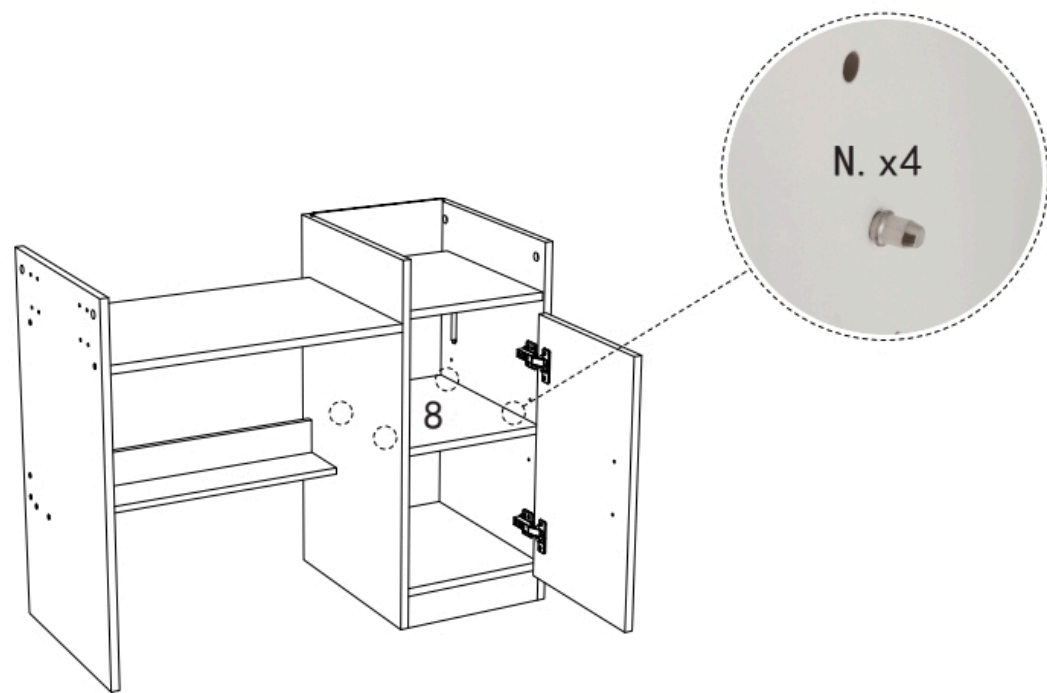
18



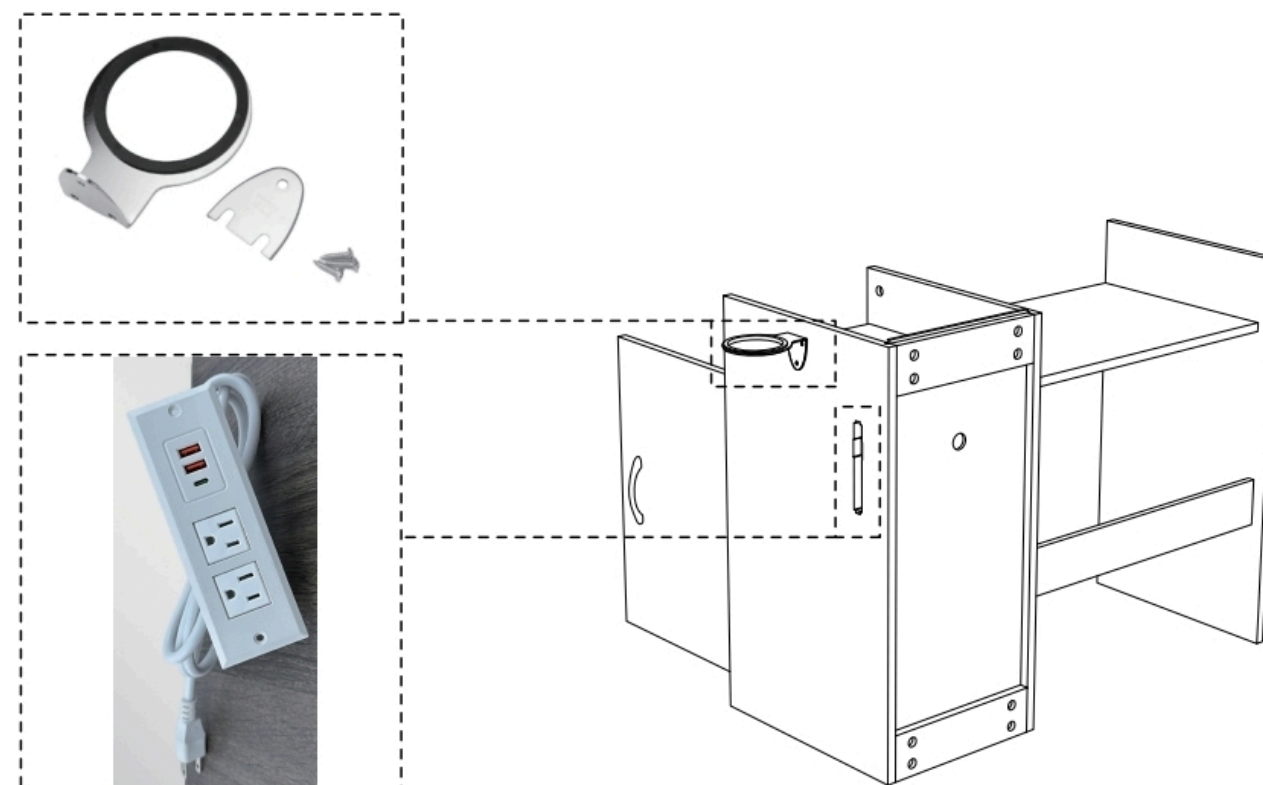
19



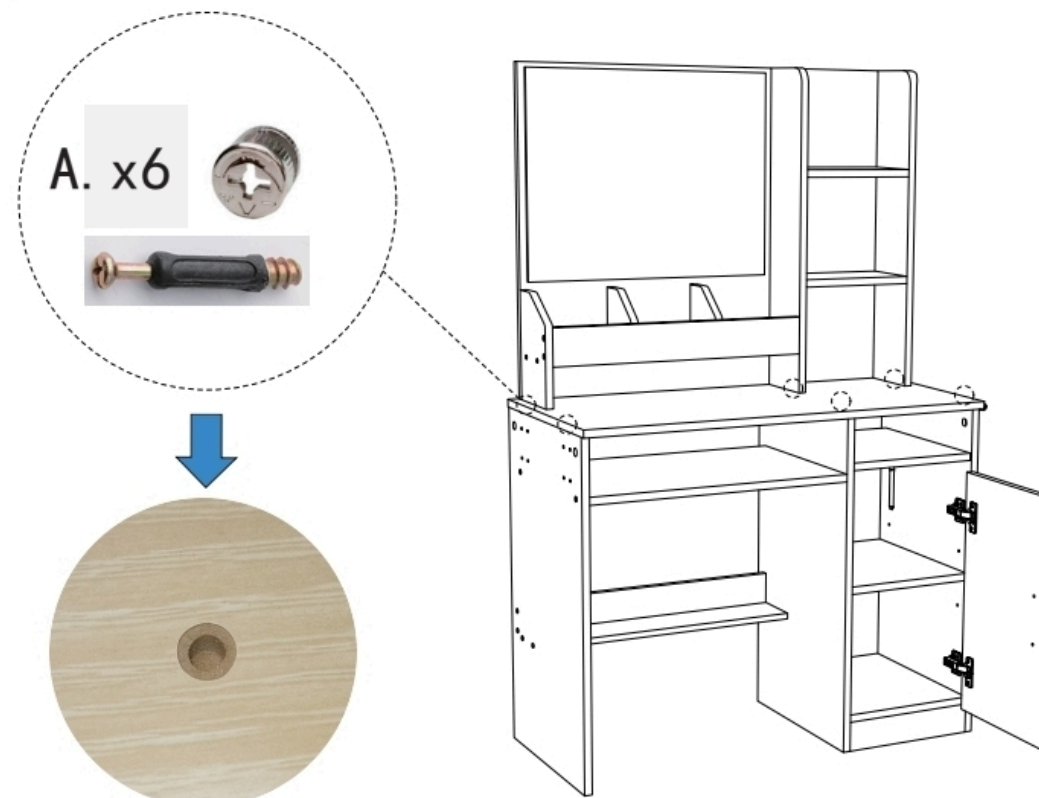
20



21



22



23

To install the "K" type bracket, install No. 2 first and use No. D Then install the small self-tapping thread on the No. 4 table leg. It's a must The small desktop No. 2 and the large desktop No. 1 need to be on the same plane.

D. x2



24



D. x4



25

