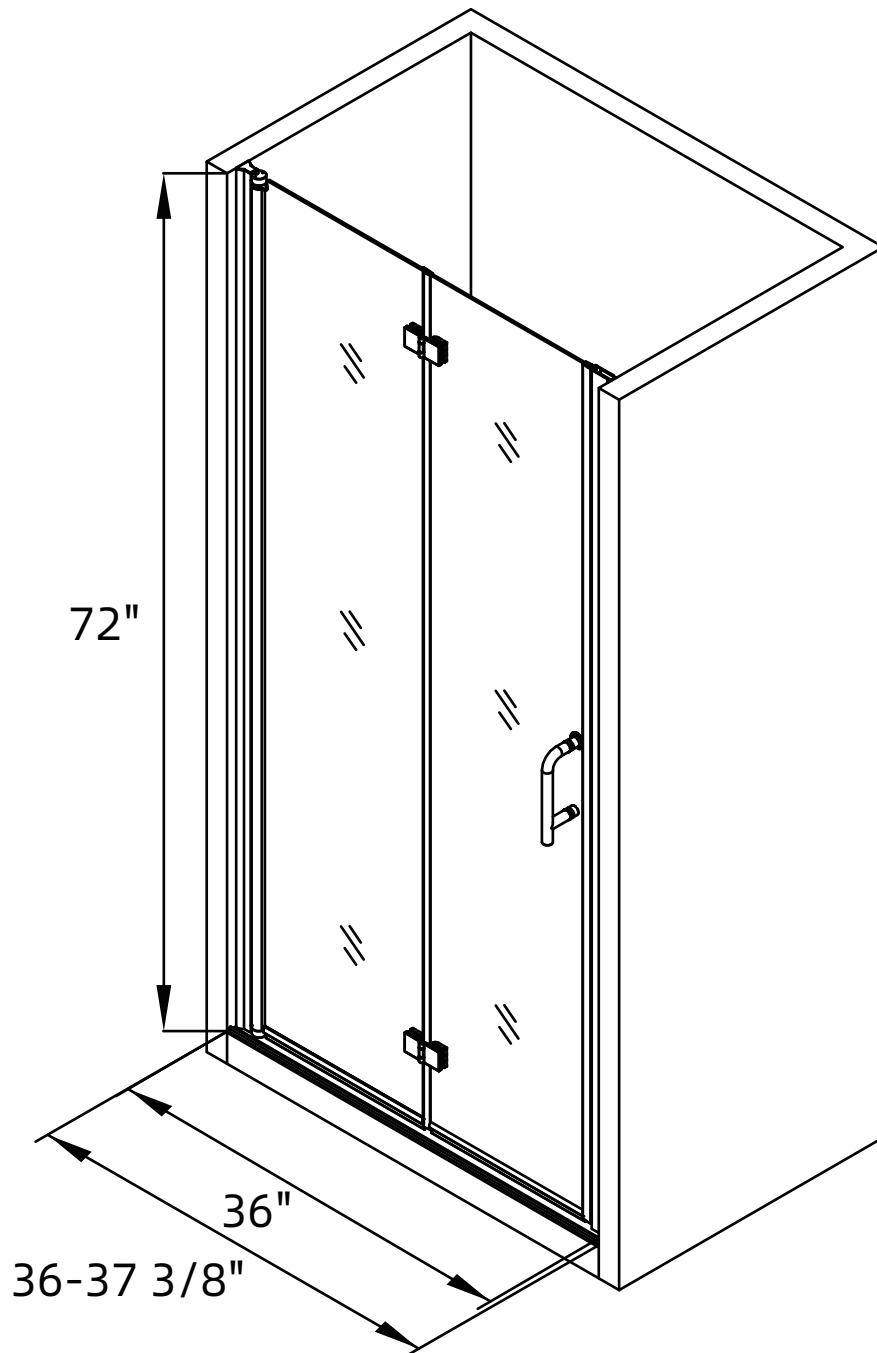


# Dimension/Specification



**RX-SD05-3672CH**