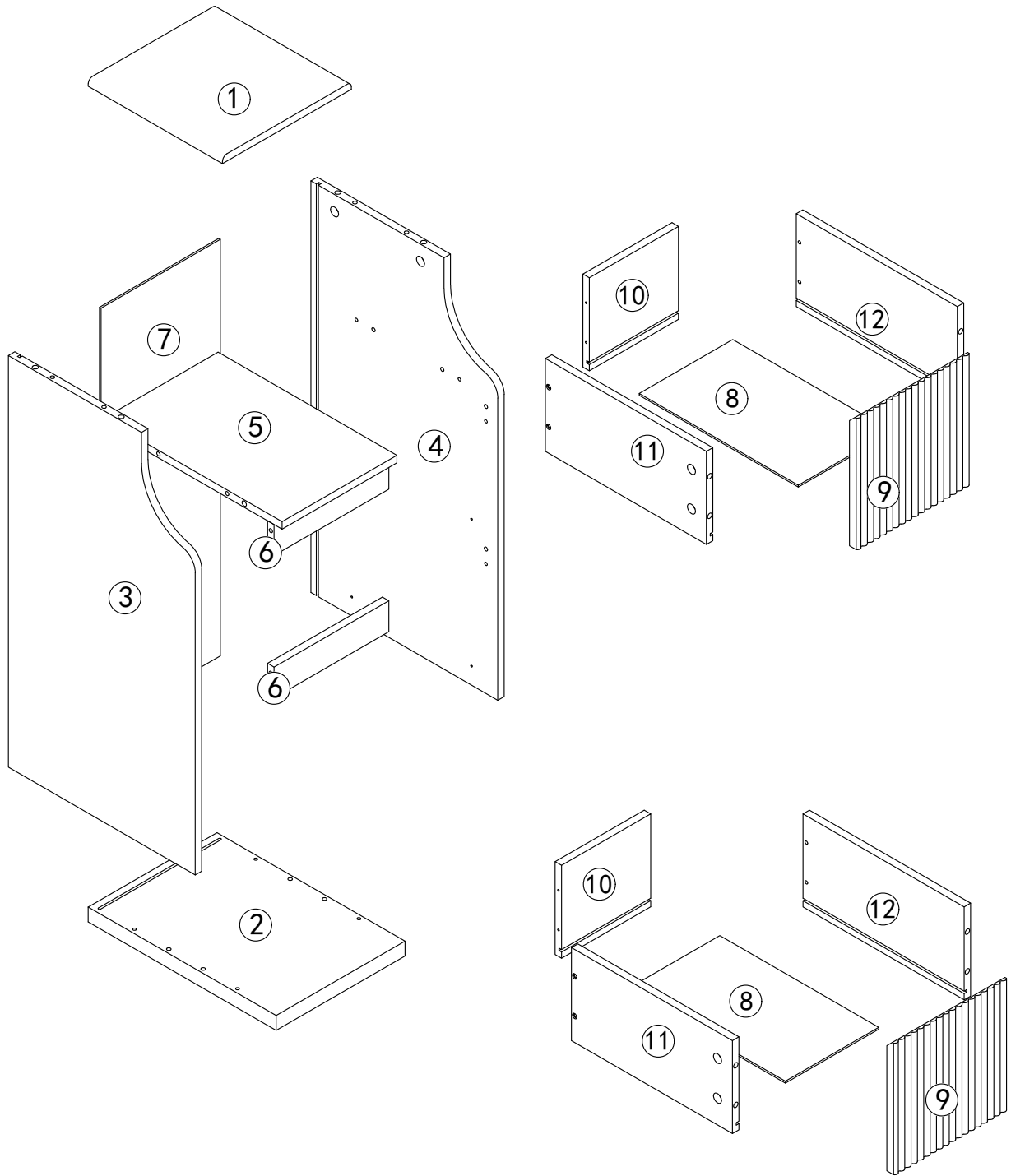
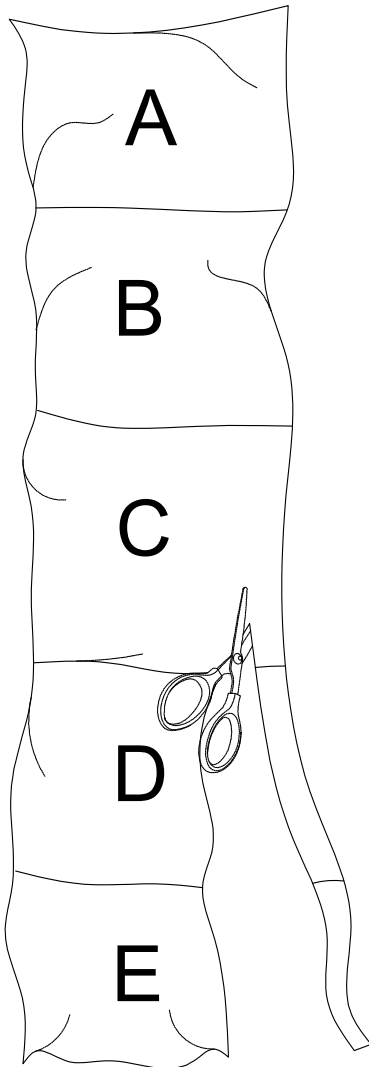
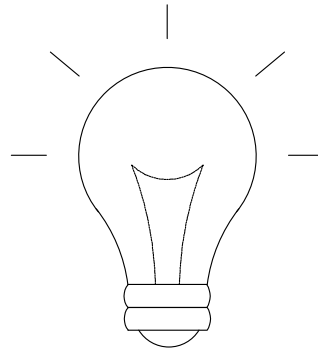


ASSEMBLY INSTRUCTIONS



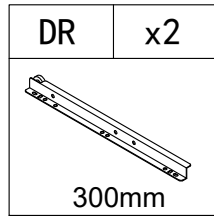
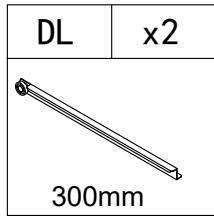
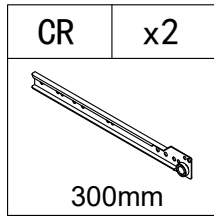
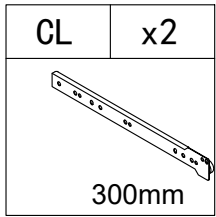
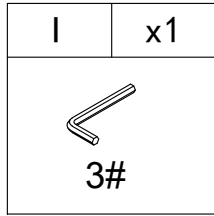
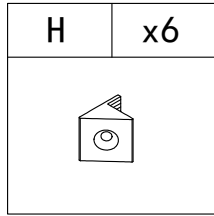
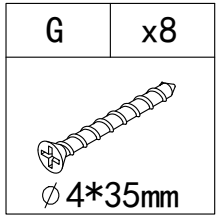
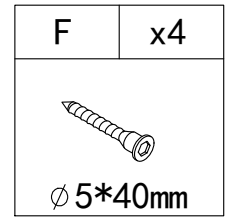
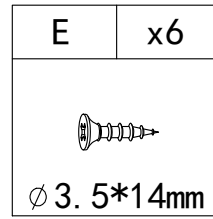
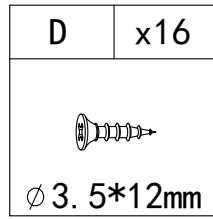
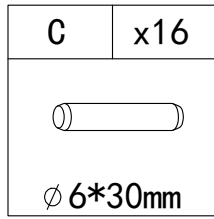
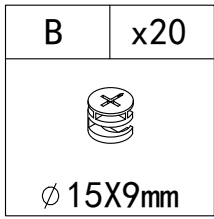
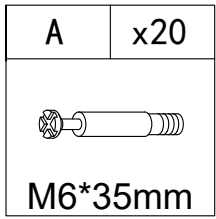
IMPORTANT:

1. Do not tighten bolts / screws completely until all bolts / screws are lined up and inserted into holes
2. Do not over tighten screws and bolts to avoid stripping
3. Please use hand tools to assemble this product, you can also use power tools (please use power tools carefully)
4. In case of packaging damage during transportation, missing components, or the need for installation guidance, don't rush, feel free to reach out to our dedicated seller support team for professional assistance.



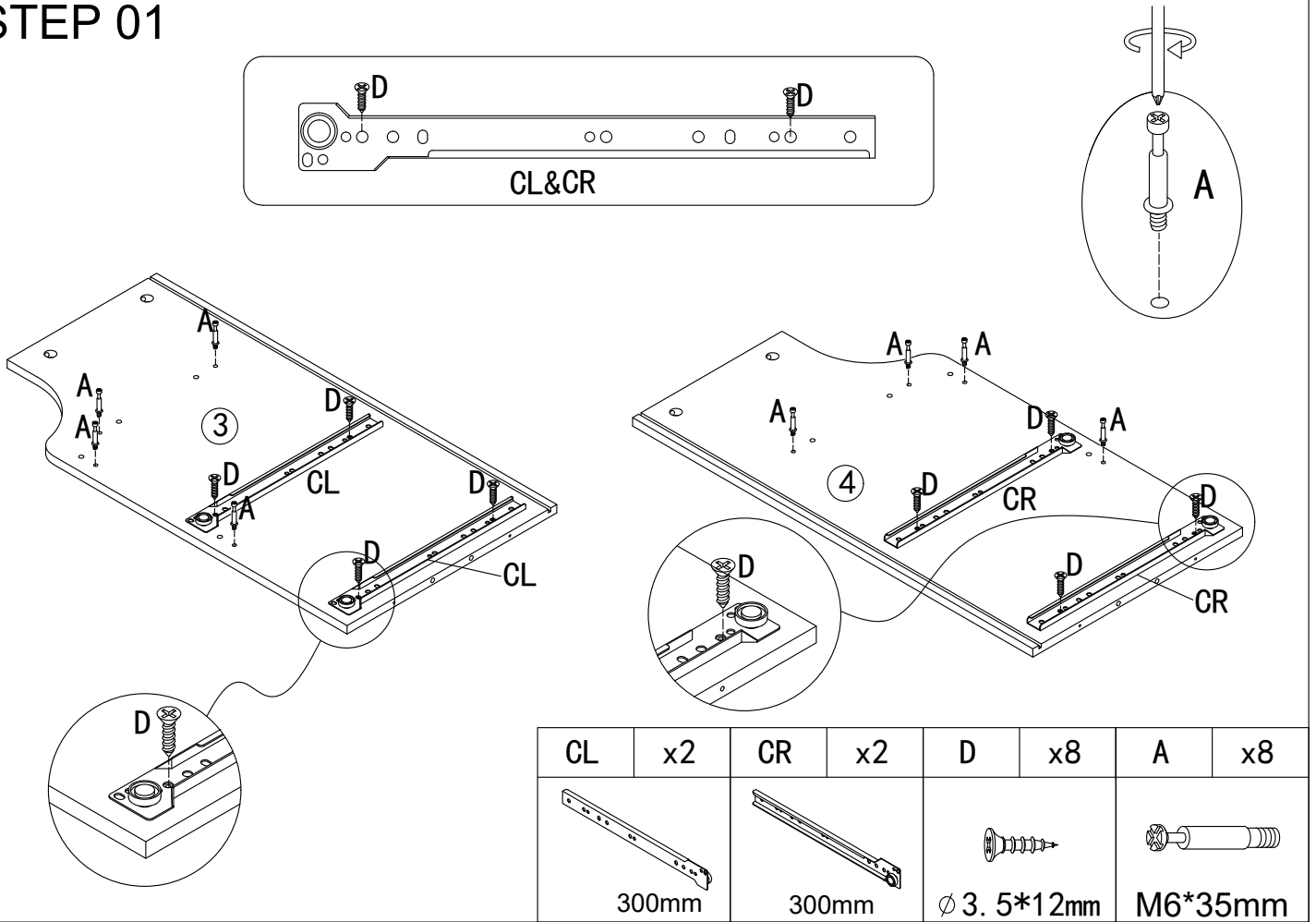
friendly reminder

To avoid errors and confusion during the installation of accessories, use the type and quantity of hardware accessories according to the installation procedure described in the instructions. First, unroll the accessories bag and lay out the hardware accessories, cut holes in the side, and take out the hardware accessories

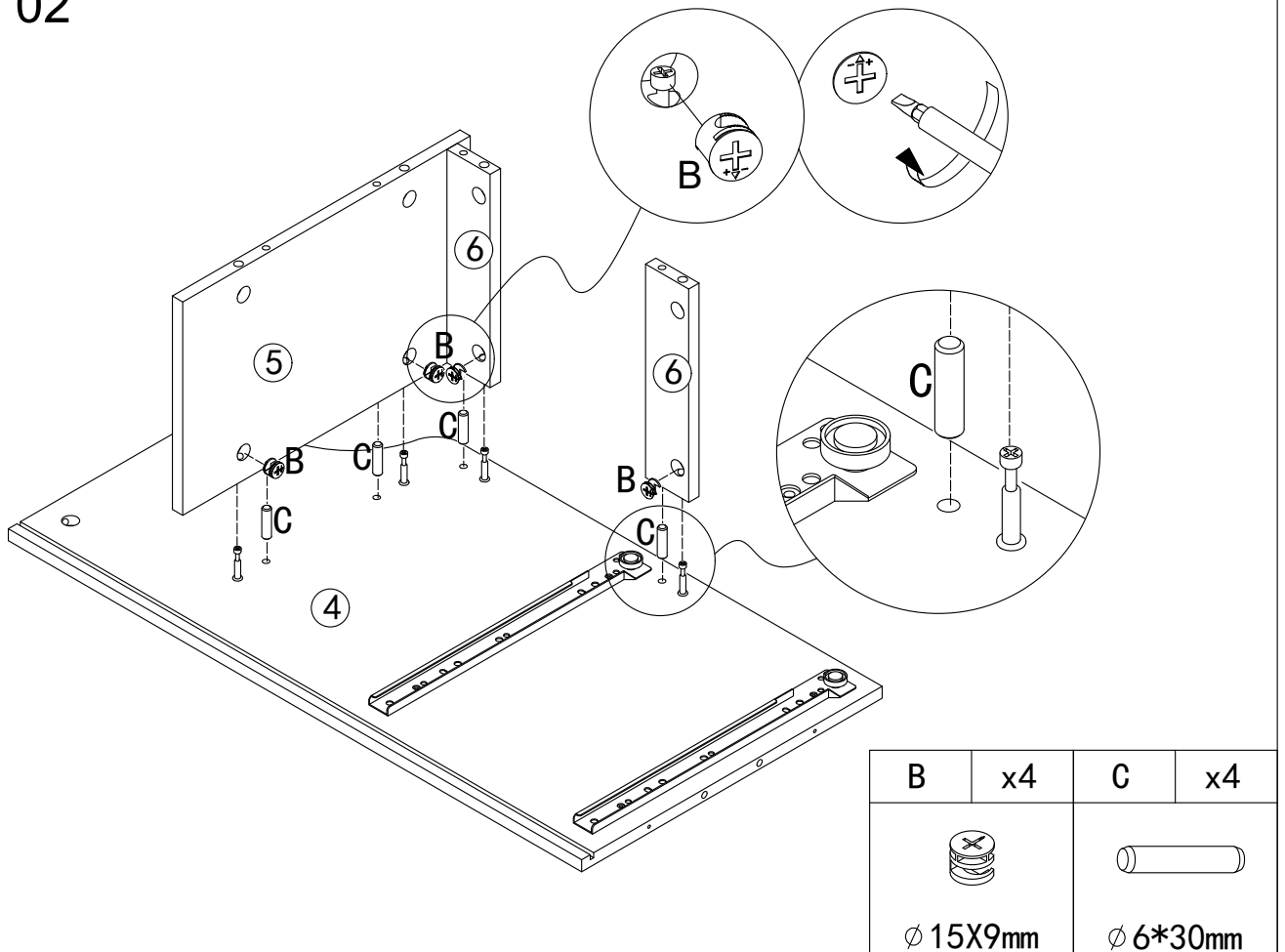


INSTALLATION

STEP 01

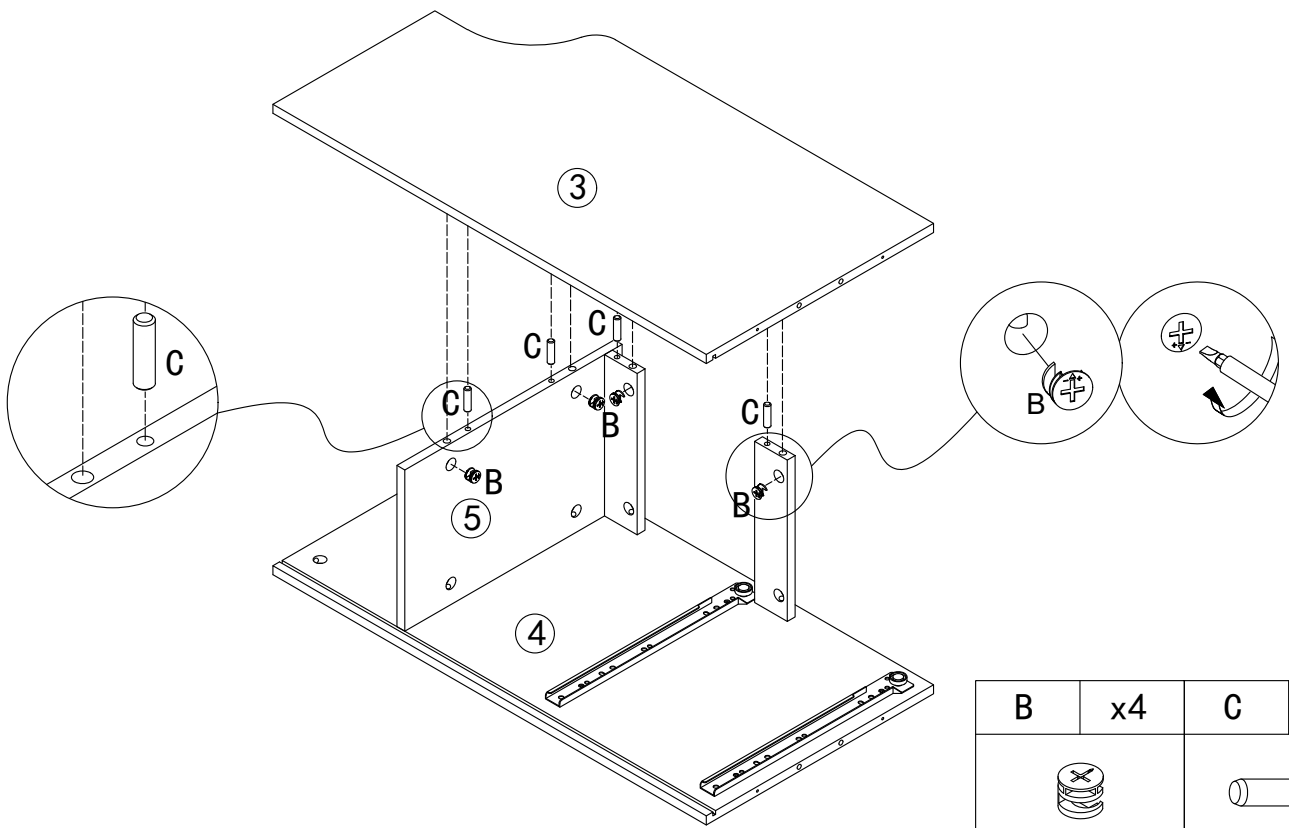


STEP 02

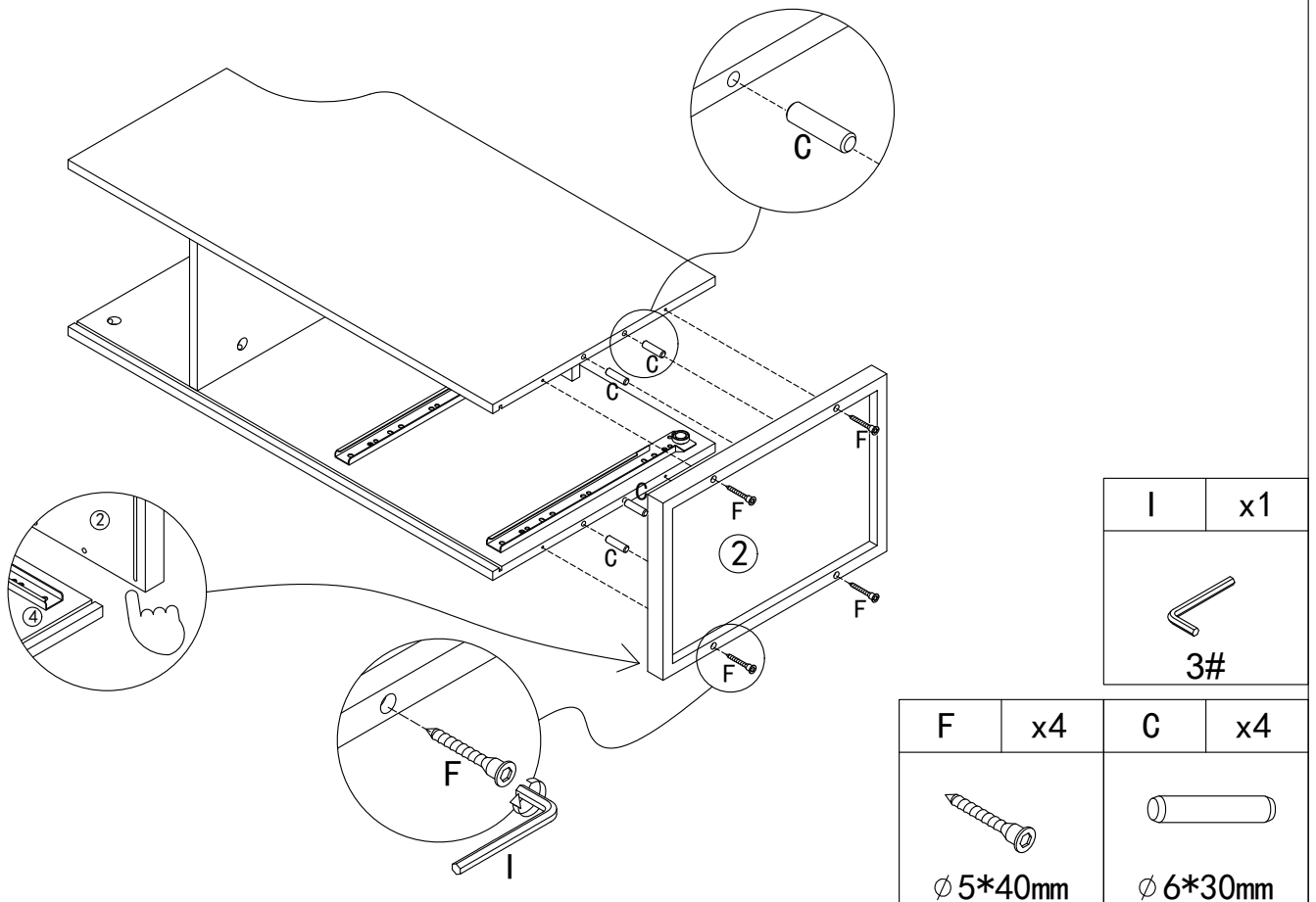


INSTALLATION

STEP 03

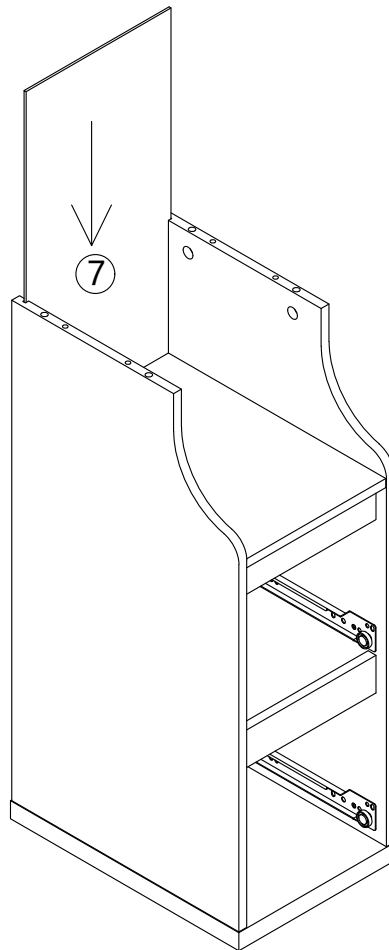
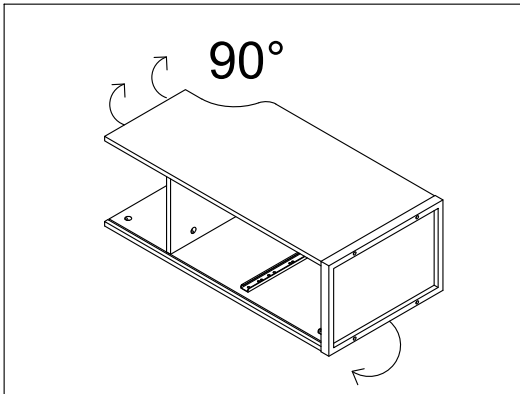


STEP 04

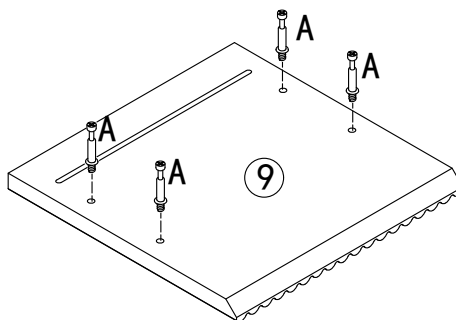
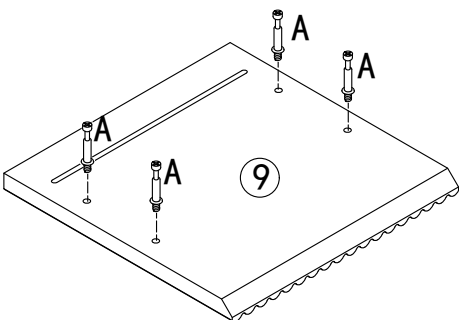
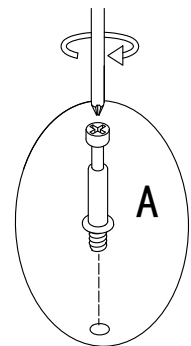
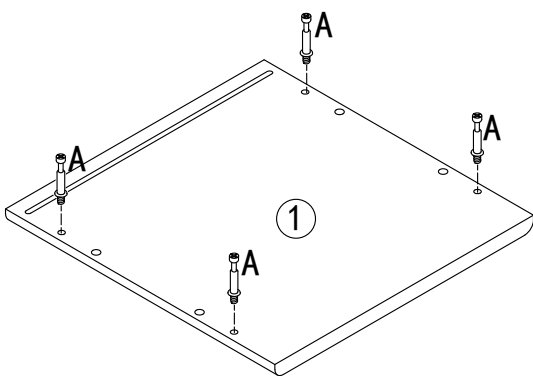


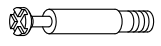
INSTALLATION

STEP 05



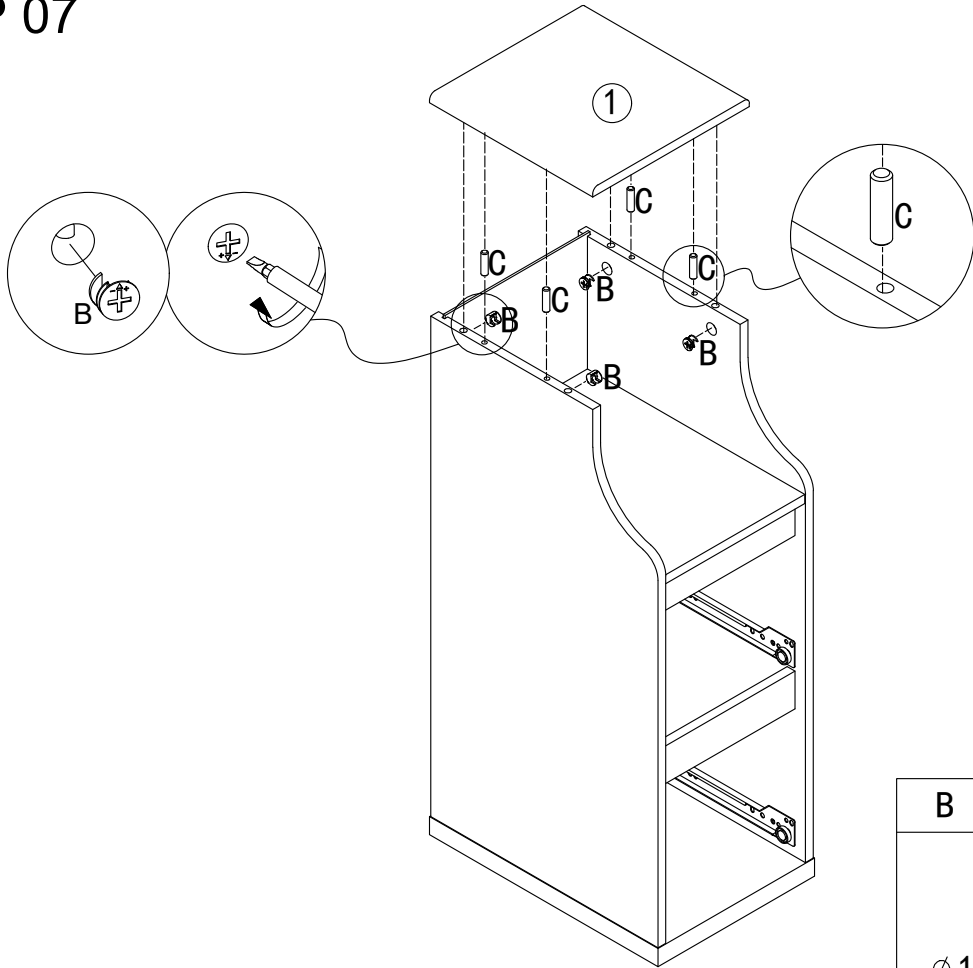
STEP 06





A	x12
	
M6*35mm	

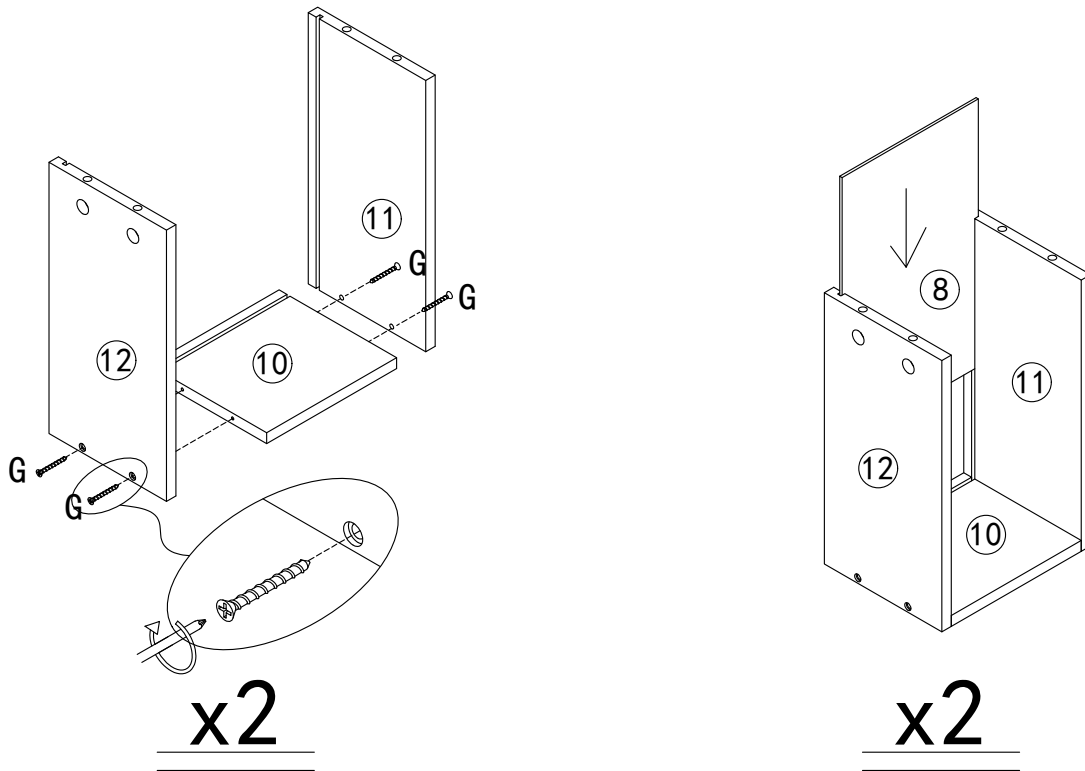
INSTALLATION

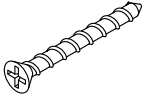
STEP 07



B	x4	C	x4
			
Ø 15X9mm		Ø 6*30mm	

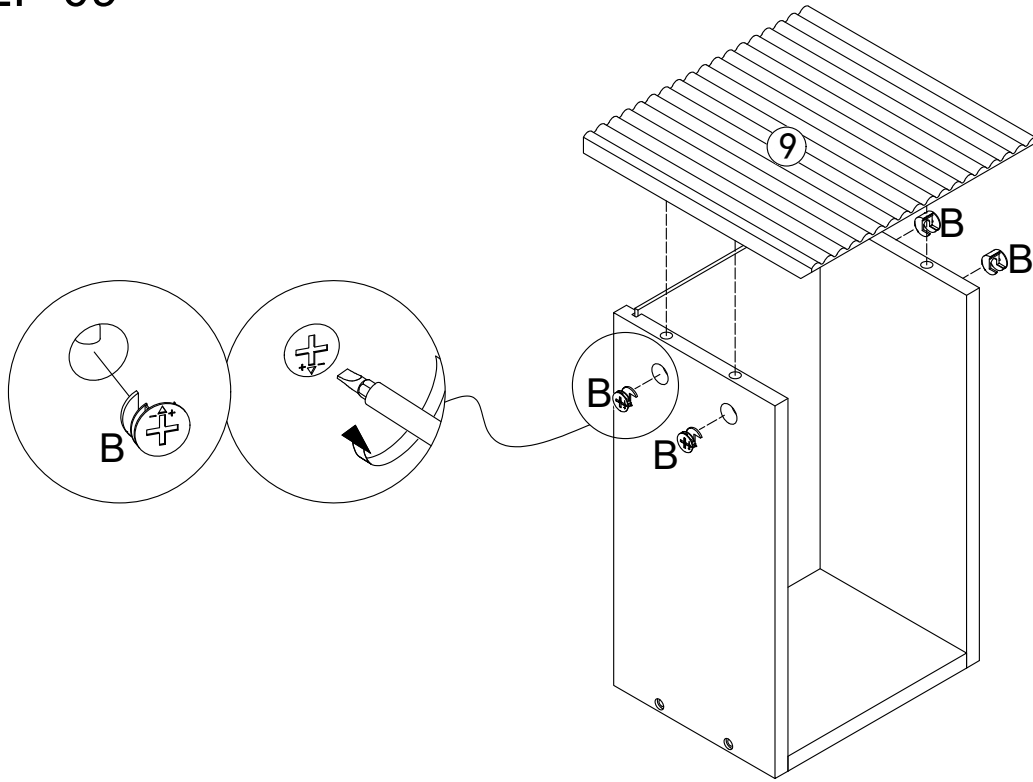
STEP 08




G	x8
	
Ø 4*35mm	

INSTALLATION

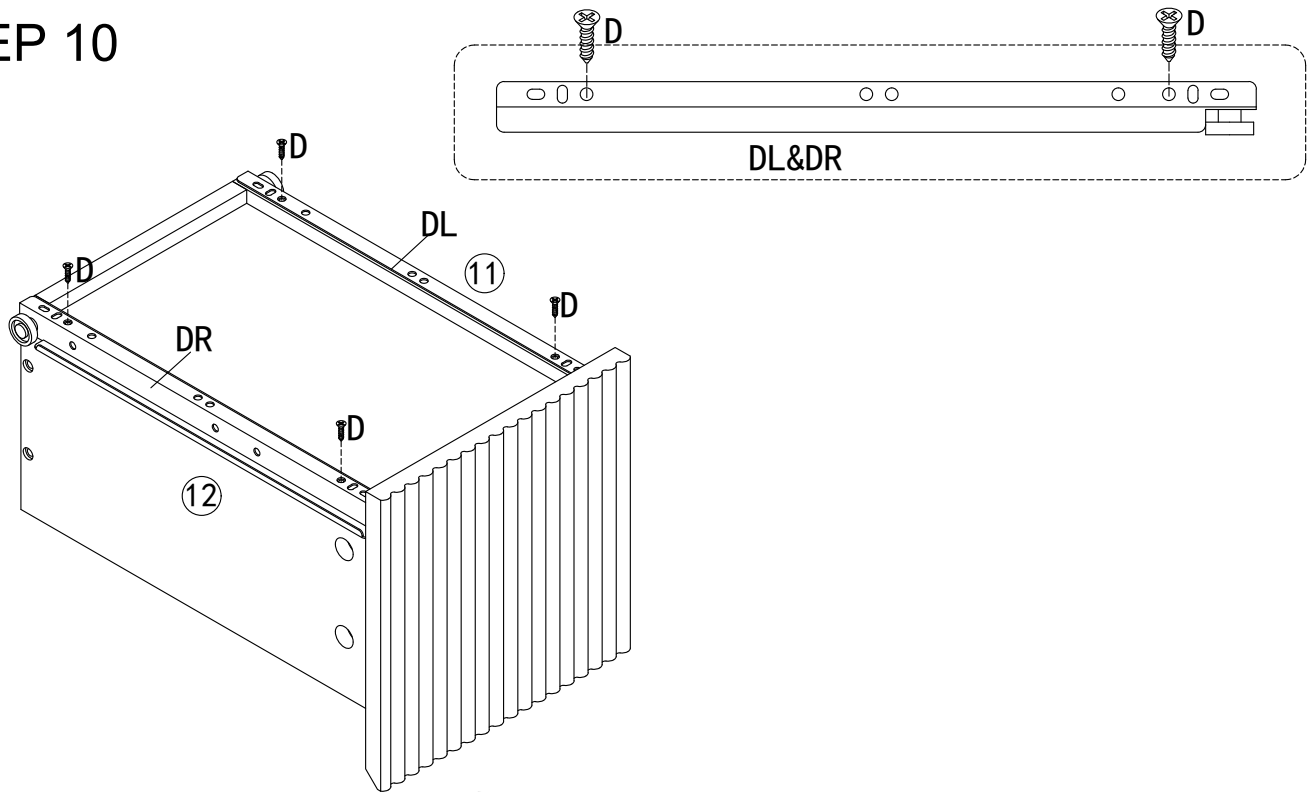
STEP 09



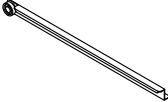
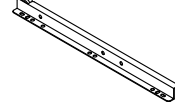
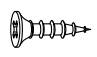
x2

B	x8
	
$\varnothing 15 \times 9 \text{mm}$	

STEP 10

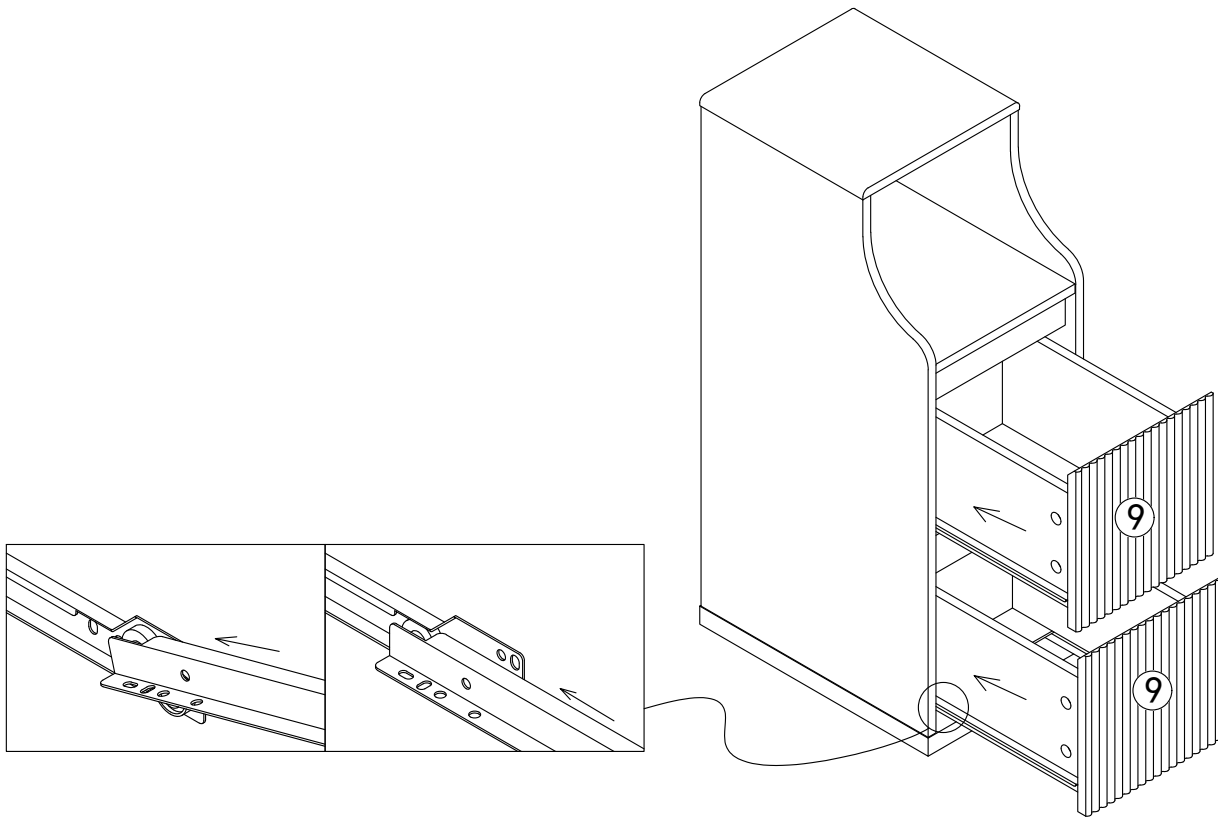


x2

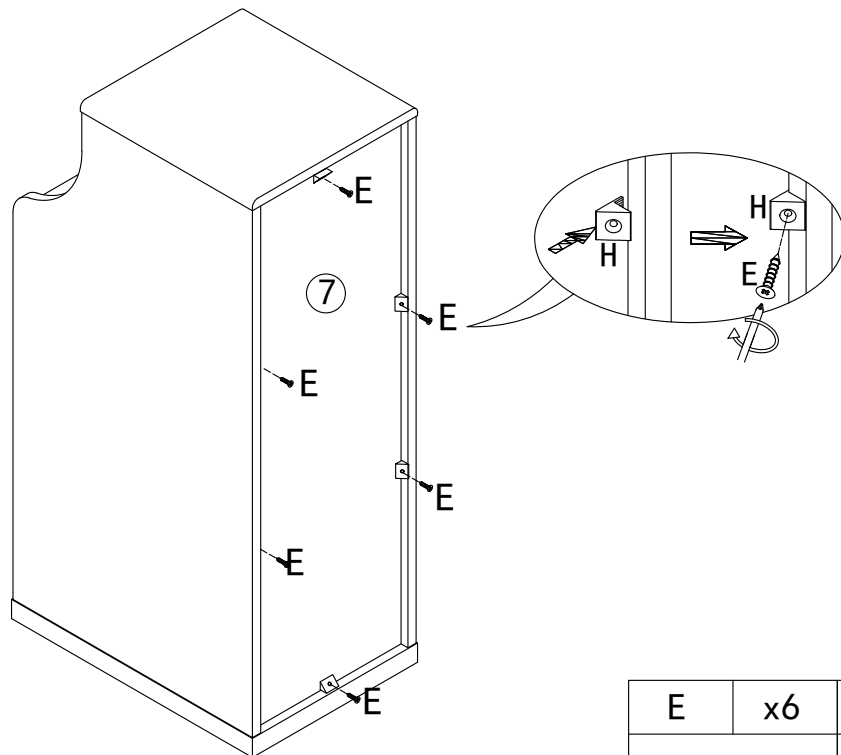
DL	x2	DR	x2	D	x8
					
300mm		300mm		$\varnothing 3.5 \times 12 \text{mm}$	

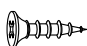
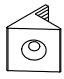
INSTALLATION

STEP 11



STEP 12



E	x6	H	x6
			
Ø 3.5*14mm			