

SPECIFICATIONS



Features/Benefits

- Two Position Wall Mount Bracket for Handshowers

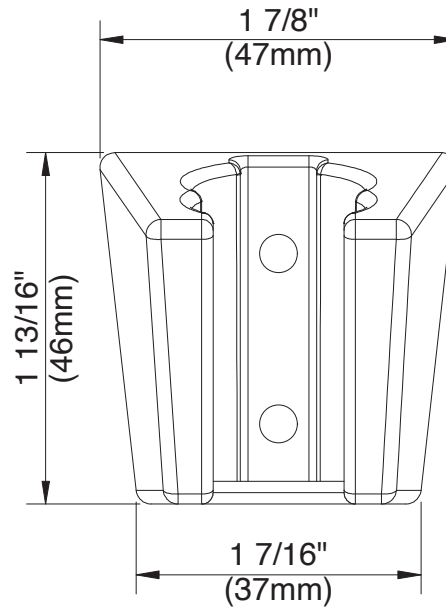
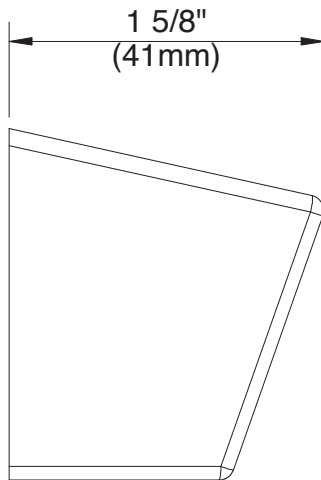
Available Color/Finishes

Color tiles intended for reference only.

Color	Code	Description
		Chrome
	BN	Brushed Nickel
	BS	Satin Black
	BB	Brushed Bronze

Standards & Certifications

ASME A112.18.1/CSA B125.1



Submittal Information:

Name: _____
 Location: _____

Contractor: _____
 Contact #: _____