

# URI OVAL CONCRETE VESSEL

Cat. No  
5-312



W: 22-3/4"  
D: 14"  
H: 4-7/8"



Maintenance Kit

## Interior Dimensions:

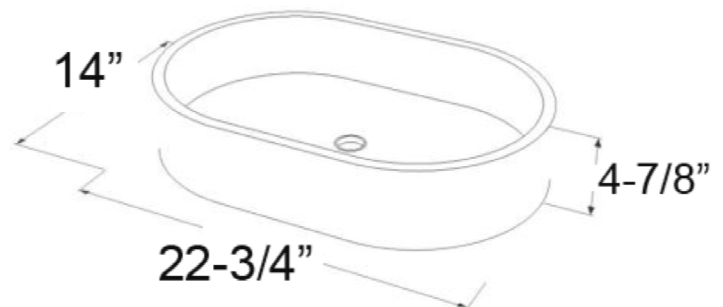
Basin interior: 21" x 12-1/4"  
Basin Depth: 3-7/8"  
Drain: 1-3/4"

## Features:

- ▶ Seamless concrete construction
- ▶ Above counter basin
- ▶ Mold casted basin is finished by hand
- ▶ No faucet holes
- ▶ Maintenance Kit included
- ▶ 3/4" Rim
- ▶ No overflow
- ▶ Available in 6 colors
- ▶ To be used with Grid Drain # 5610

## Colors:

<b>CGC</b>	Copper Green	<b>CTB</b>	Terrazzo Black
<b>CDG</b>	Dusk Gray	<b>CLG</b>	Light Gray
<b>VBC</b>	Vintage Brown	<b>CDRG</b>	Dark Gray



Dimensions of fixture are nominal and may vary slightly. Dimensions and specifications subject to change without notice.