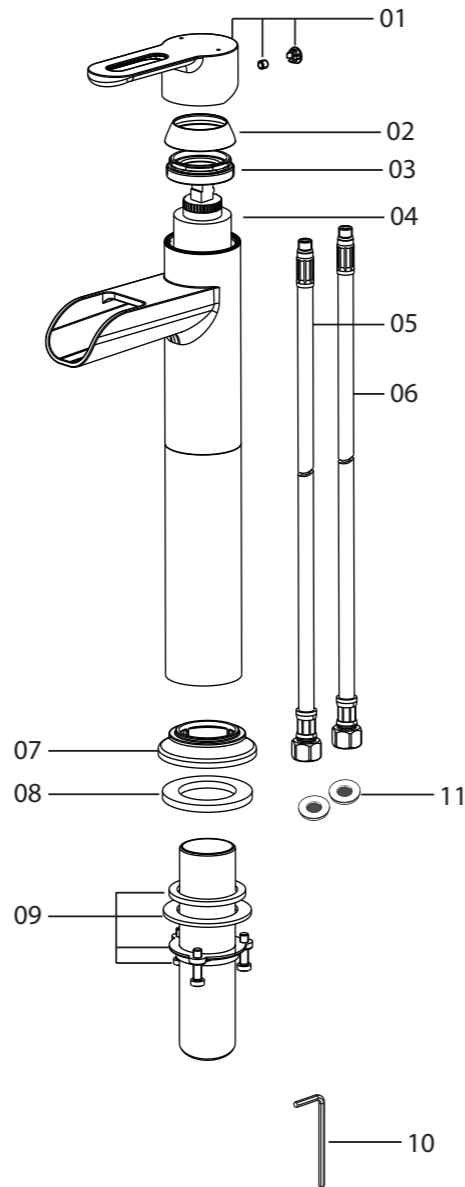


NO.	Description	Part No.
1	Handle Set	5Y0301000CP/AP/HA/HBW0
2	Dome	5L0P0120CP/AP/HA/HBW
3	Cartridge Nut	5X0C0001NT
4	Ceramic Cartridge	5D0M0022PL
5	Inlet hose-hot	5G0004003CC7
6	Inlet hose-cold	5G0004103CC7
7	Base Ring	5N0105000CP/AP/HA/HBW0
8	O-RING	5R4022000PL0
9	Mounting Hardware	5Y0219800CZ0
10	Allen Key	51002812NT
11	Filter Screens	5R4R0196PL



Limited Lifetime Warranty

Ultra Faucets warrants to the original purchaser that its products will be free from defects in workmanship and materials. All Ultra Faucets are provided with a life time limited warranty. This warranty does not cover any other labor or service charges associated with the removal, repair, or reinstallation of Ultra Faucets products. This express warranty does not apply to products that have been damaged as a result of misuse, abuse, negligence, accident, faulty installation or maintenance practices and/or used in any manner contrary to those recommended by the manufacturer.

Need help? Please call our toll-free customer service line at 1-888-658-5872 for additional assistance or service.

Besoin d'aide? Veuillez communiquer avec notre service à la clientèle au numéro gratuit 1-888-658-5872 pour tous renseignements ou services complémentaires.

¿Requiere asistencia? Llame a nuestro Servicio al Cliente, sin costo, al 1-888-658-5872 para asistencia adicional o servicio.

Sozu Collection

Single Handle Tall Lavatory Faucet



Installation/Installation/Instalación

CUSTOMER SERVICE

TOLL-FREE 1-888-OK-ULTRA (658-5872)

UF38900 - Polished Chrome

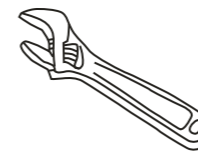
UF38903 - PVD Brushed Nickel

UF38905 - Oil Rubbed Bronze

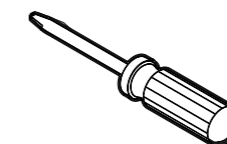
UF38907 - Matte Black



Tools You Will Need / Outils dont vous aurez besoin / Herramientas necesarias



Adjustable Wrench
Clé à molette
Llave ajustable



Phillips Screwdriver
Tournevis Phillips
Destornillador cruciforme



Pipe Tape
Ruban pour tuyau
Cinta selladora para raosc

SAFETY TIPS

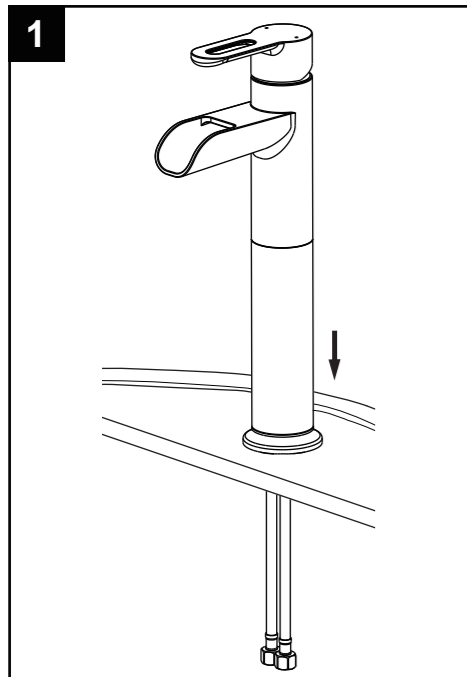
- If you use soldering for the installation of the faucet, the seats, cartridges and washers will have to be removed before using flame. Otherwise, warranty will be void on those parts.
- Cover your drain to avoid losing parts.
- 0°C~55°C.

CONSIGNES DE SÉCURITÉ

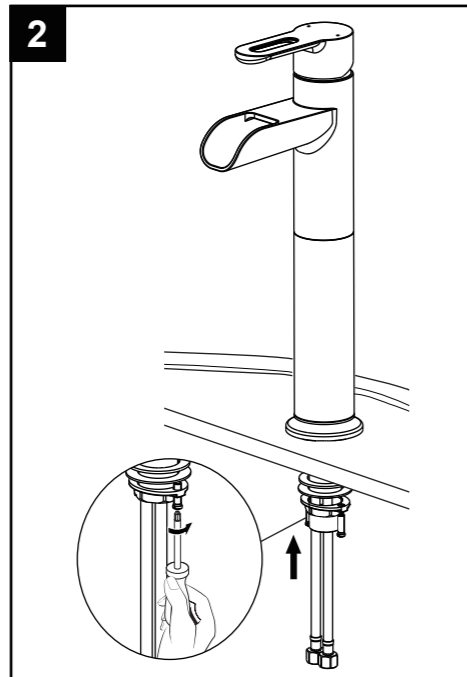
- Si vous posez le robinet par brasage, il est essentiel de retirer les sièges, les cartouches et les rondelles avant d'appliquer la flamme, faute de quoi la garantie sur ces pièces sera annulée.
- Couvrez le drain pour ne pas perdre des pièces.
- 0°C~55°C.

CONSEJOS DE SEGURIDAD

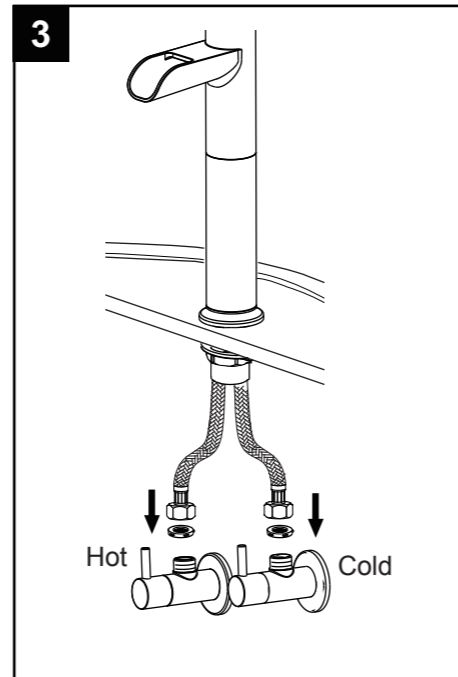
- En el caso de utilizar soldadura para instalar el grifo, remueva los asientos, cartuchos y arandelas antes de usar la llama. De lo contrario, se anulará la garantía para esos componentes.
- Tape la boca del desagüe para prevenir la pérdida de piezas pequeñas.
- 0°C~55°C.



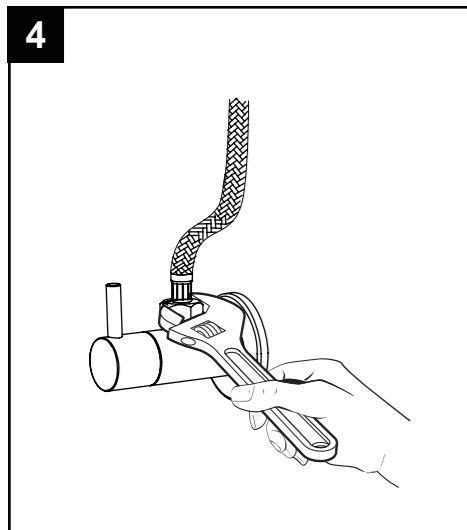
1 First place the new faucet through trim ring and mounting hole. The faucet hole should be 1 5/16"~1 1/2" in diameter on the mounting surface.



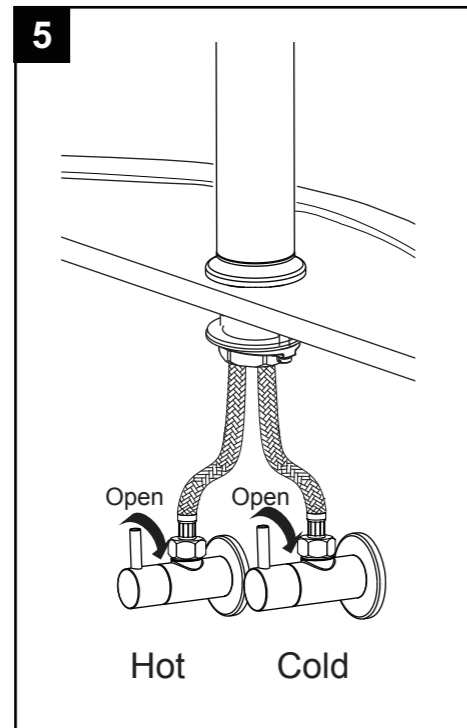
2 Slide the rubber washer, metal washer, and metal nut onto the shank and secure the faucet with two set screws.



3 Make sure the filter screens are seated correctly in the hose fittings before connecting the hoses to the shutoff valves.



4 Use an adjustable wrench to tighten the water supply hoses. **(IMPORTANT: Do not overtighten the connections.)** **(NOTICE: Sediment in the water will reduce the water flow over time, clean both filter screens regularly to can maintain proper water flow to the faucet)**



5 Installation completed.

