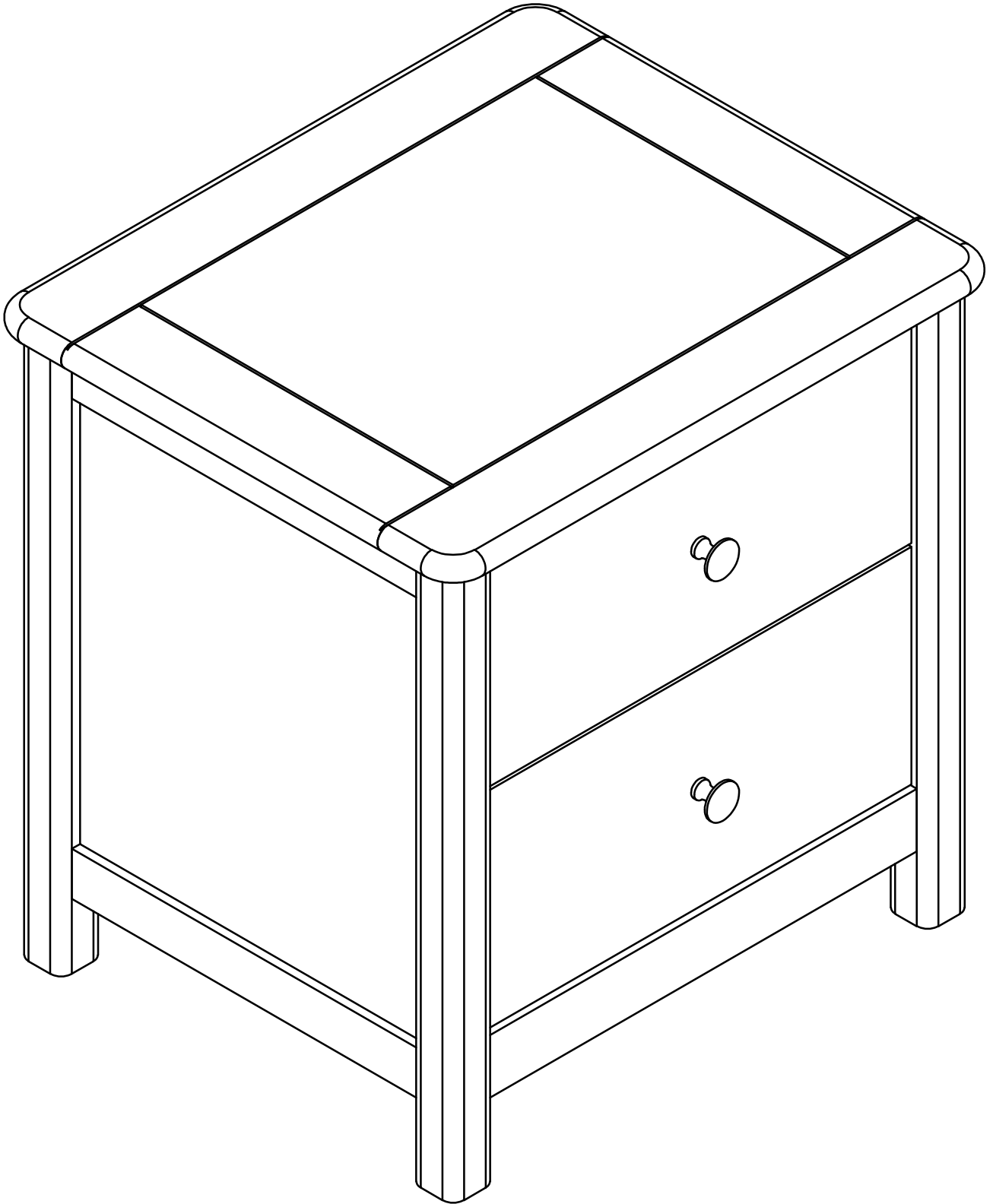
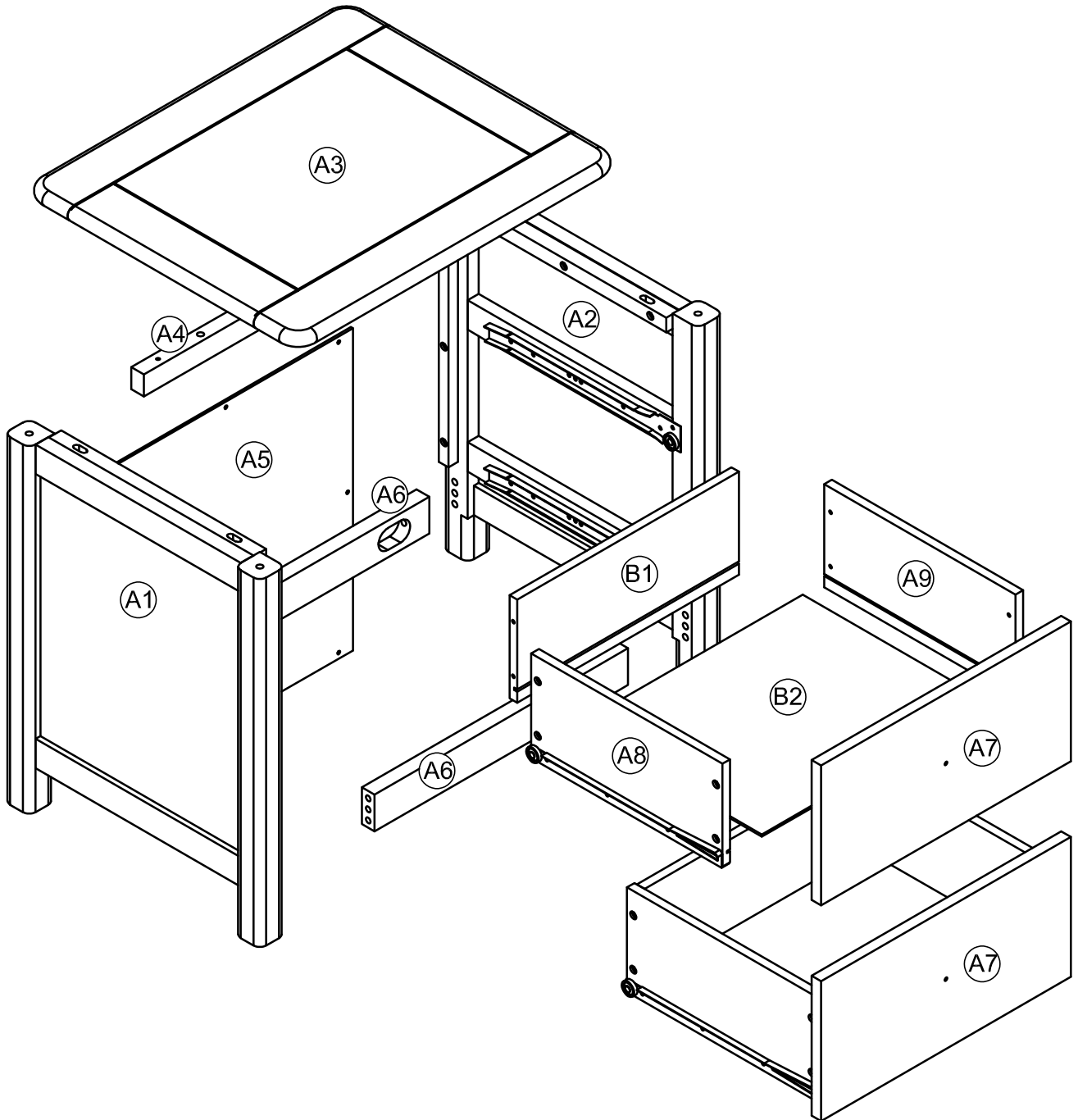


ASSEMBLY INSTRUCTION

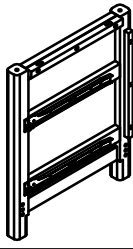


ASSEMBLY INSTRUCTION



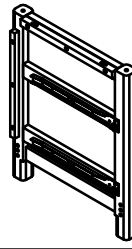
Part List & Hardware List

A1



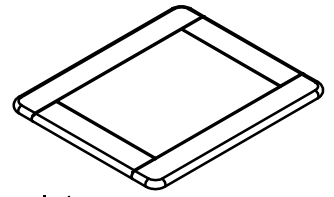
Left frame- 1pc

A2



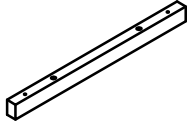
Right frame- 1pc

A3



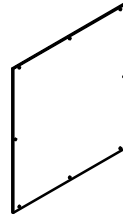
Top Panel-1pc

A4



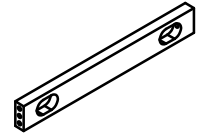
WoodBar-1pc

A5



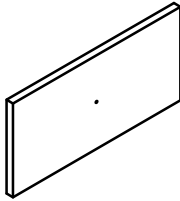
Back panel-1pc

A6



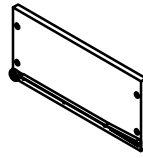
WoodBar-2pcs

A7



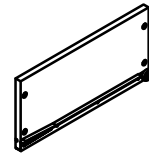
Drawer front -2pcs

A8



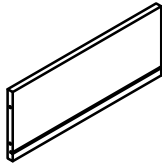
Drawer Left-2pcs

A9



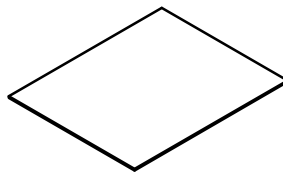
Drawer Right-2pcs

B1



Drawer Rear-2pcs

B2



Drawer Bottom Panels-2pcs

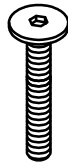
Hardware List

1



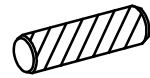
Ø1/4" x 35 mm
Hex-Head bolts 4pcs

2



Ø1/4" x 45 mm
Hex-Head bolts 4pcs

3



Ø8 x 30 mm
Wood dowel 14pcs

4



Washer 4pcs

5



Washer 4pcs

6



M4 x 30 mm
Wood Screws 16pcs

7



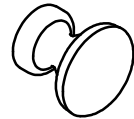
M4 x 15 mm
Wood Screws 8pcs

8



M4 x 25 mm
Wood Screws 2pcs

9



Handle Wood 2pcs

10

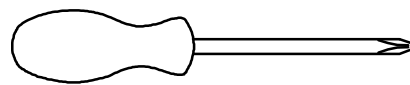


Allen Key 1pc

11


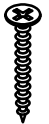


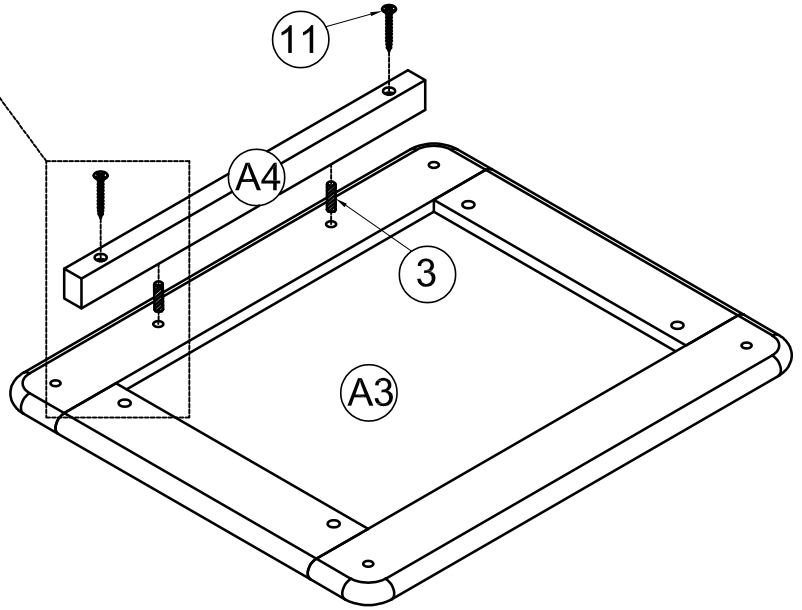
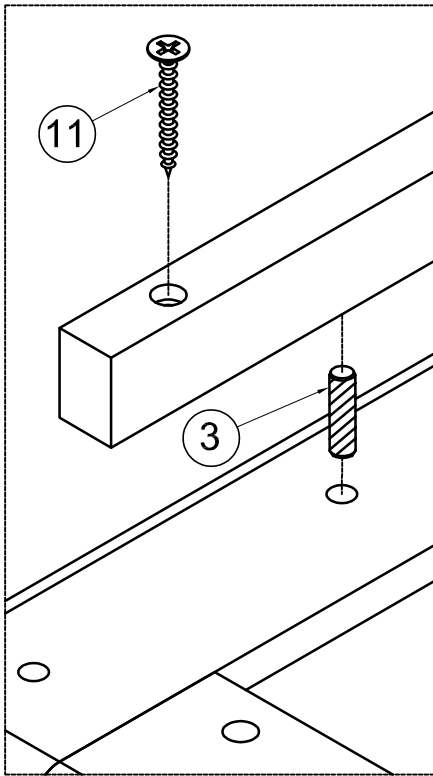
M4 x 40 mm
Wood Screws 2pcs





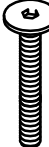
Assembly Tools Required (Not Included)

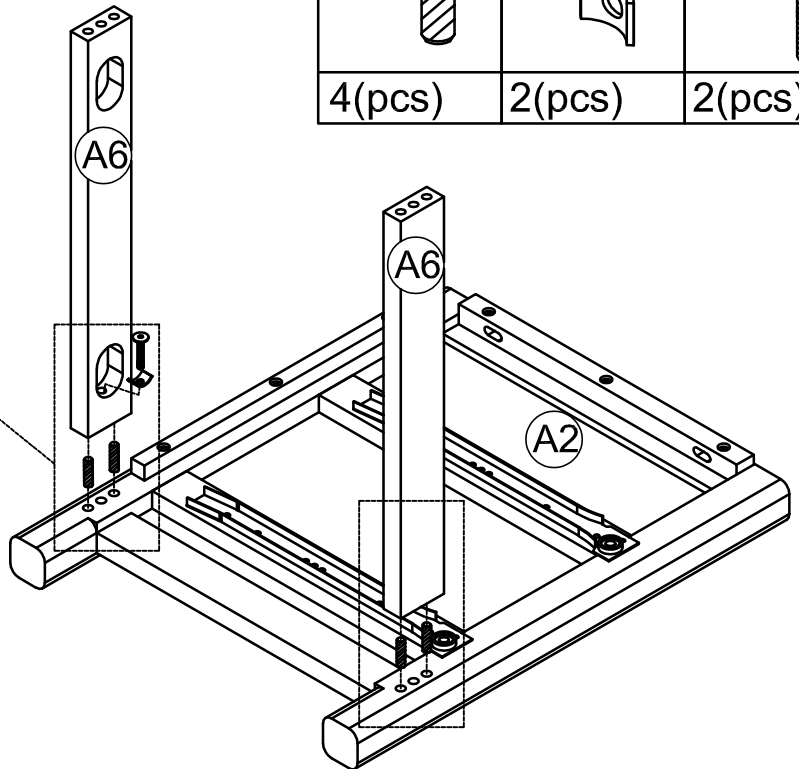
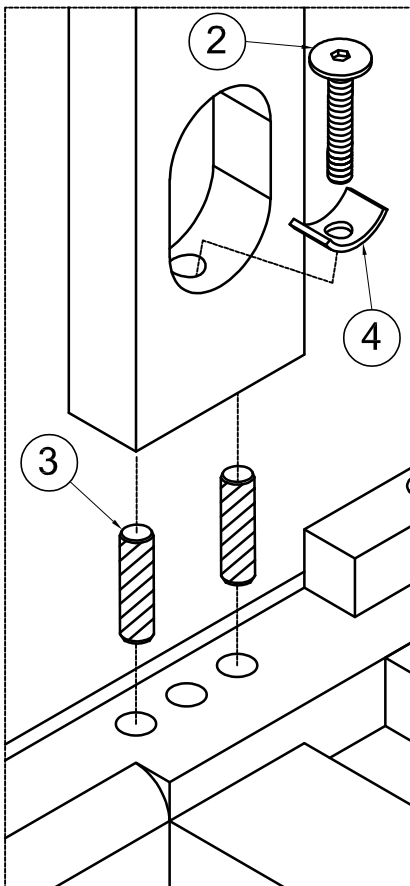
STEP1: Following below illustration.

3		11	
2(pcs)		2(pcs)	



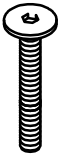


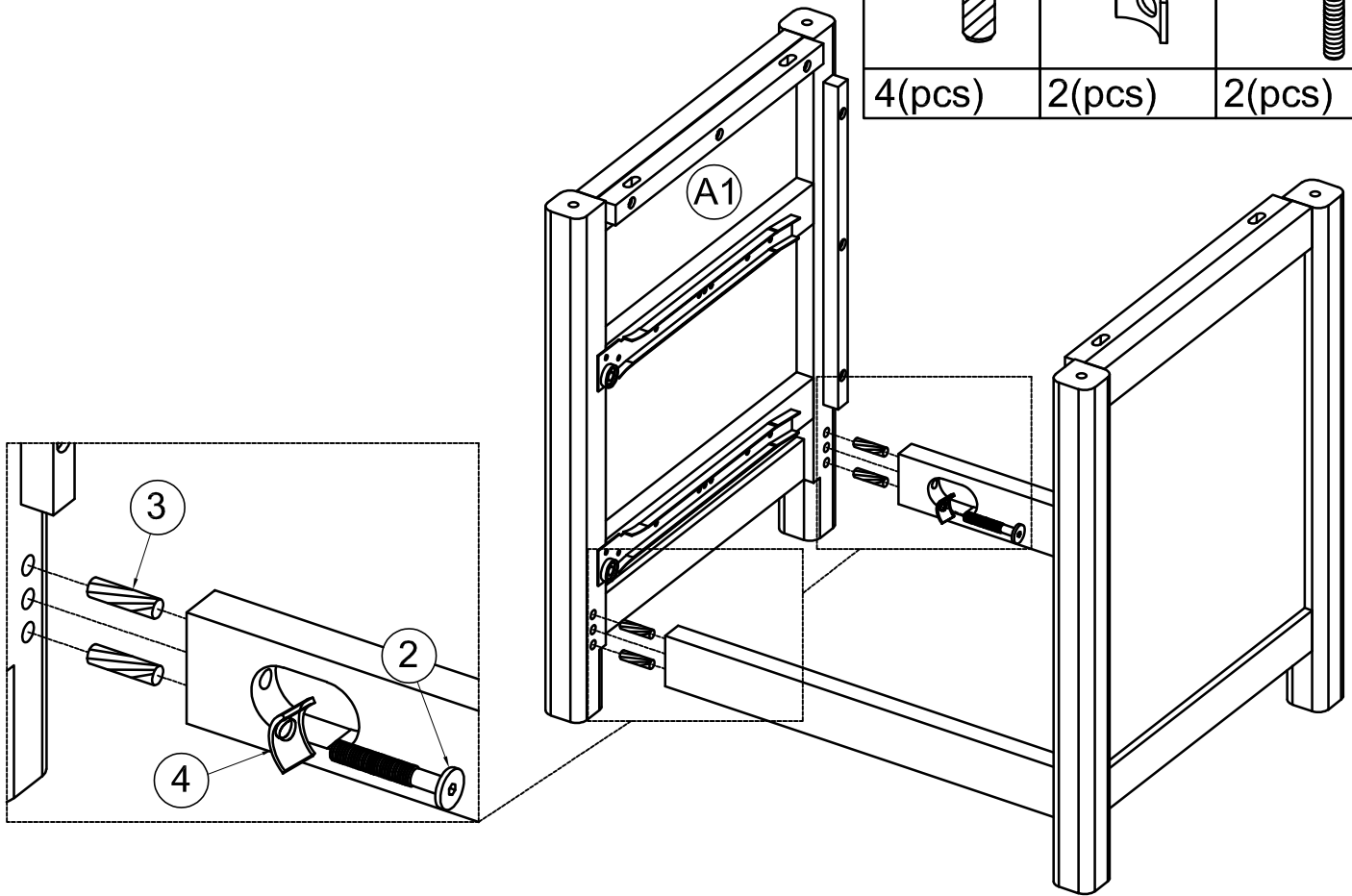
STEP2: Following below illustration.

3		4		2	
4(pcs)		2(pcs)		2(pcs)	


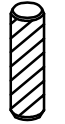



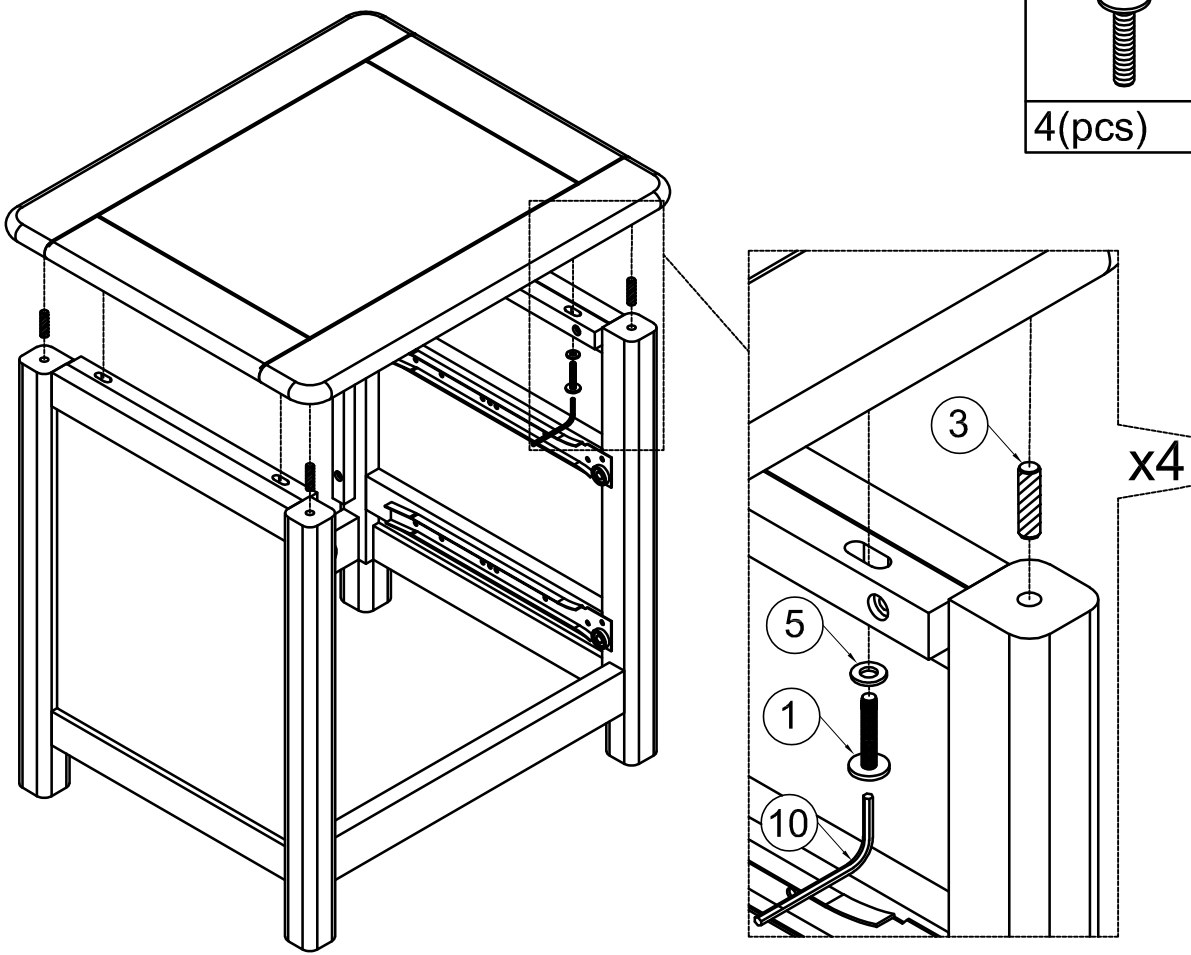
STEP3: Following below illustration.

3		4		2	
4(pcs)		2(pcs)		2(pcs)	

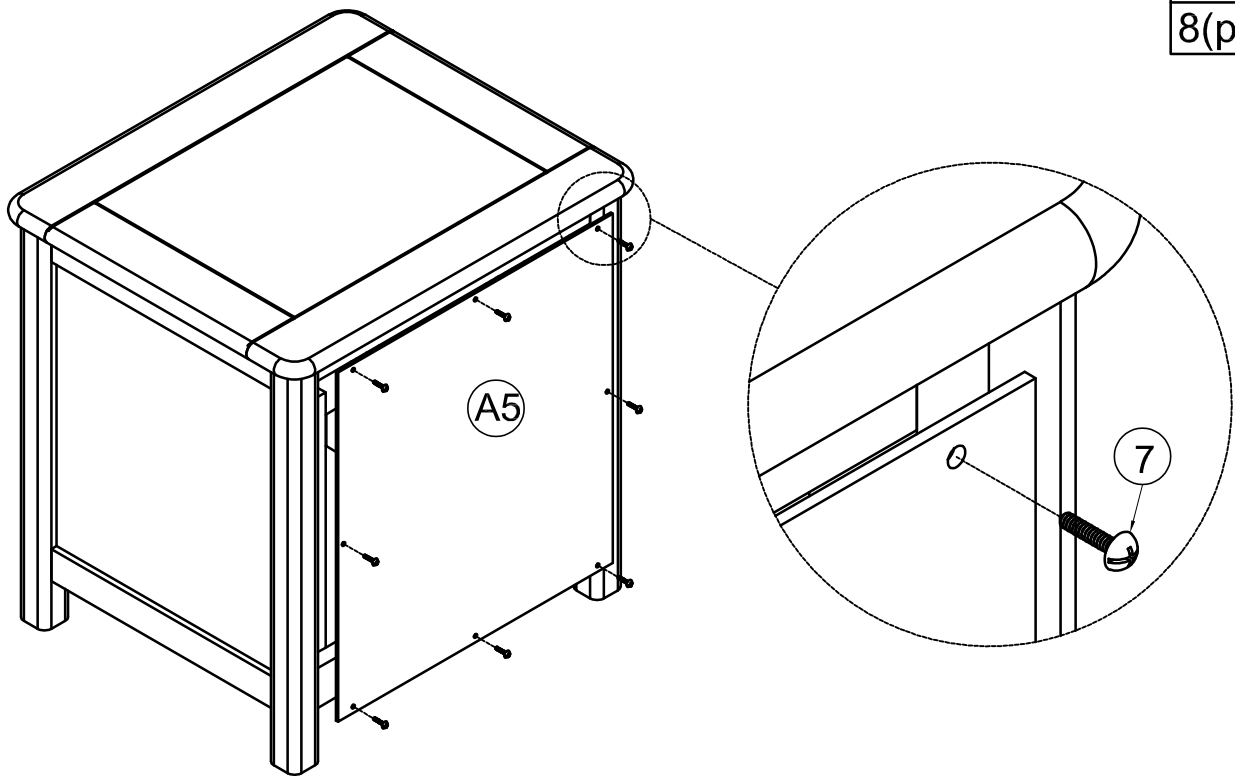
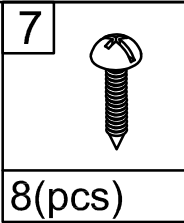


STEP4: Following below illustration.

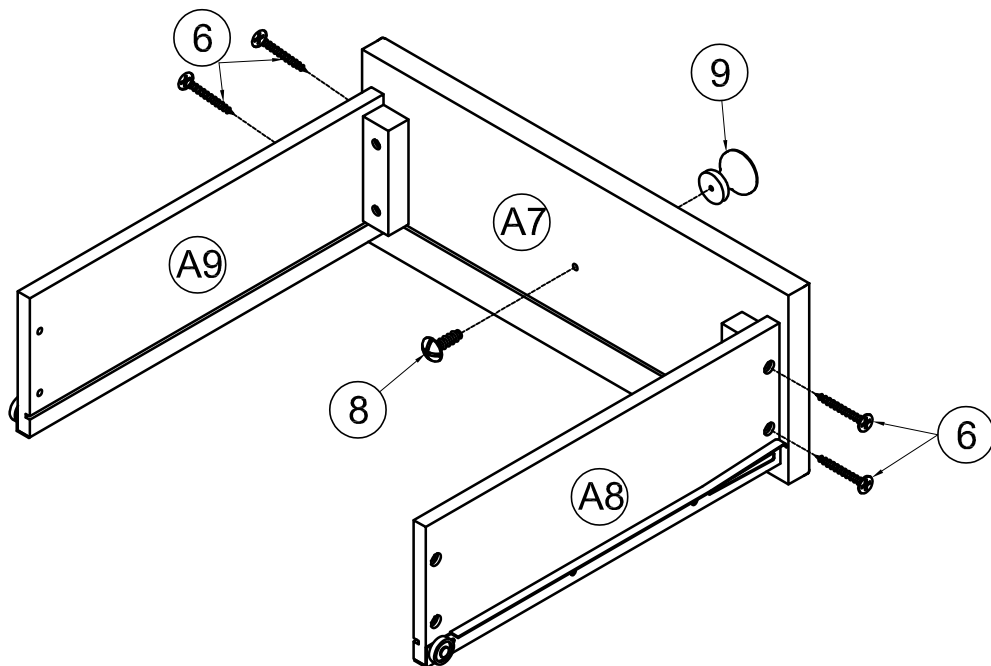
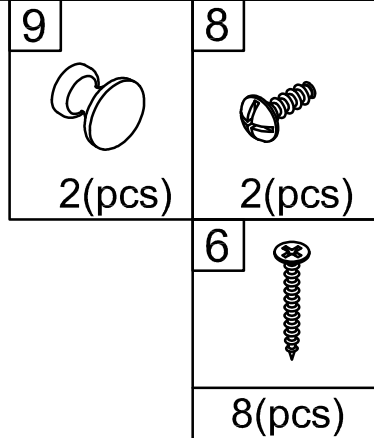
1		3	
4(pcs)		4(pcs)	
		5	
		4(pcs)	




STEP5: Following below illustration.

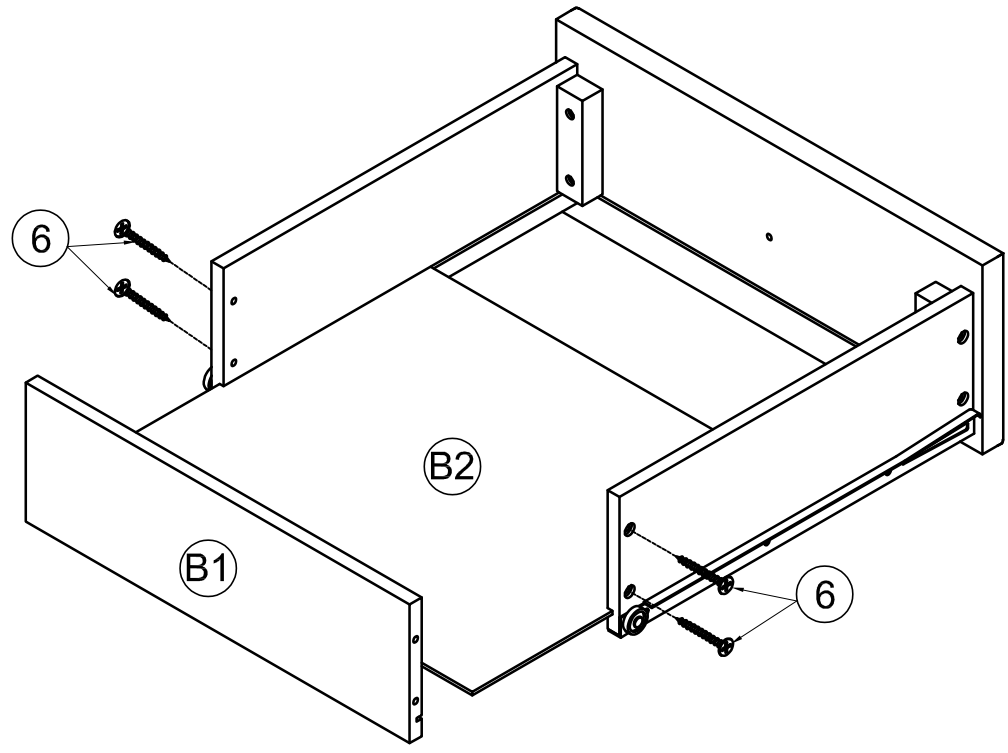


STEP6 x 2: Following below illustration.



STEP7 x 2: Following below illustration.

6	
8(pcs)	



STEP8: Following below illustration.

