

# Installation

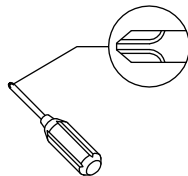


## General Guidelines

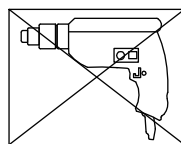
- *Please read the following instruction carefully and use the product accordingly.*
- *Please keep this manual and hand it over when you transfer the product.*

## Notes

- *The product is intended for indoor use only. The seller does not assume any responsibility or liability with respect to any damage caused by incorrect assembly or improper use.*
- *Keep away from exposure to direct sunlight or rain, and away from heat sources. Place it in a dry area to avoid peeling or fading.*
- *Please check if there is any welding spatter or debris when you receive the product.*
- *If there are defective or missing parts after unpacking, please contact us immediately.*
- *Please examine the tightness of screws regularly to prevent potential toppling hazard posed by loose screws.*
- *Wipe off any liquid on the tabletop and metal frame with a dry soft towel. Use soft cloth and neutral detergent to wipe it clean, then wipe dry. Do not use an abrasive agent to wipe the product.*
- *A Phillips head screwdriver is required for the assembly of this product .*



- *Power tools should not be used to assemble this product .*

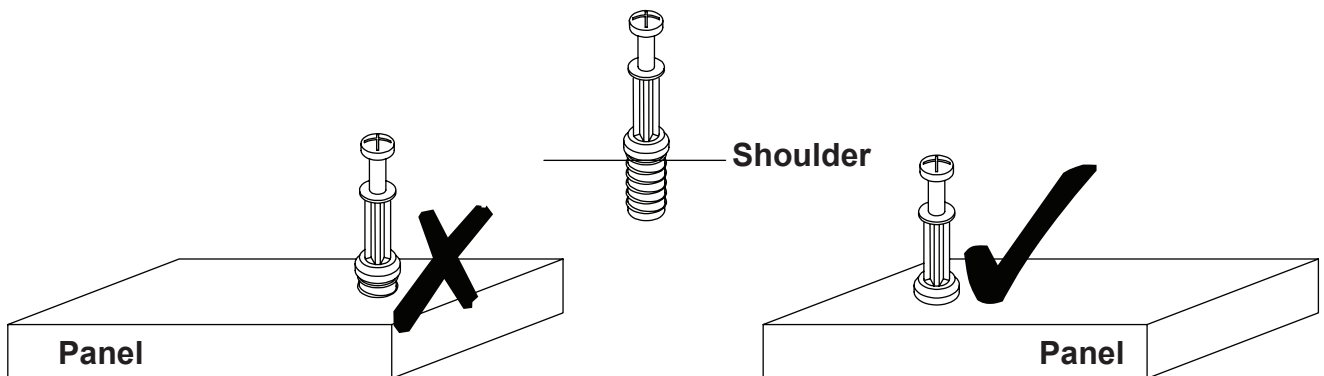


## Warnings

- *Do not allow children to climb or play on the product to avoid body injury caused by tilting.*
- *To avoid potential danger of suffocation, keep all parts and packaging (films, plastic bags and foam, etc.) away from babies and children.*
- *Keep away from sharp or corrosive items to avoid potential product damage or bodily injury.*

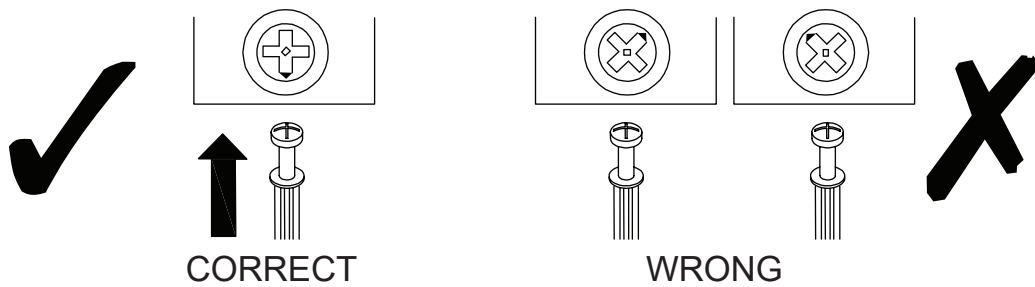
# QUICKFIT

*Tighten quickfit until shoulder is flush with panel. Do not overtighten or undertighten.*



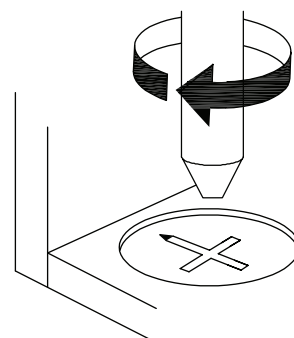
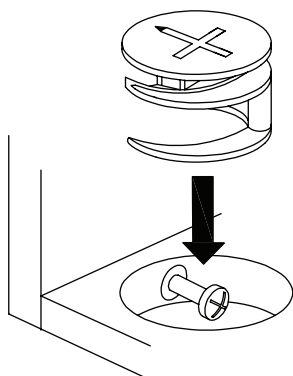
# CAM LOCK

*When fitting cam lock, ensure starting position is correct before you insert connecting quickfit.*

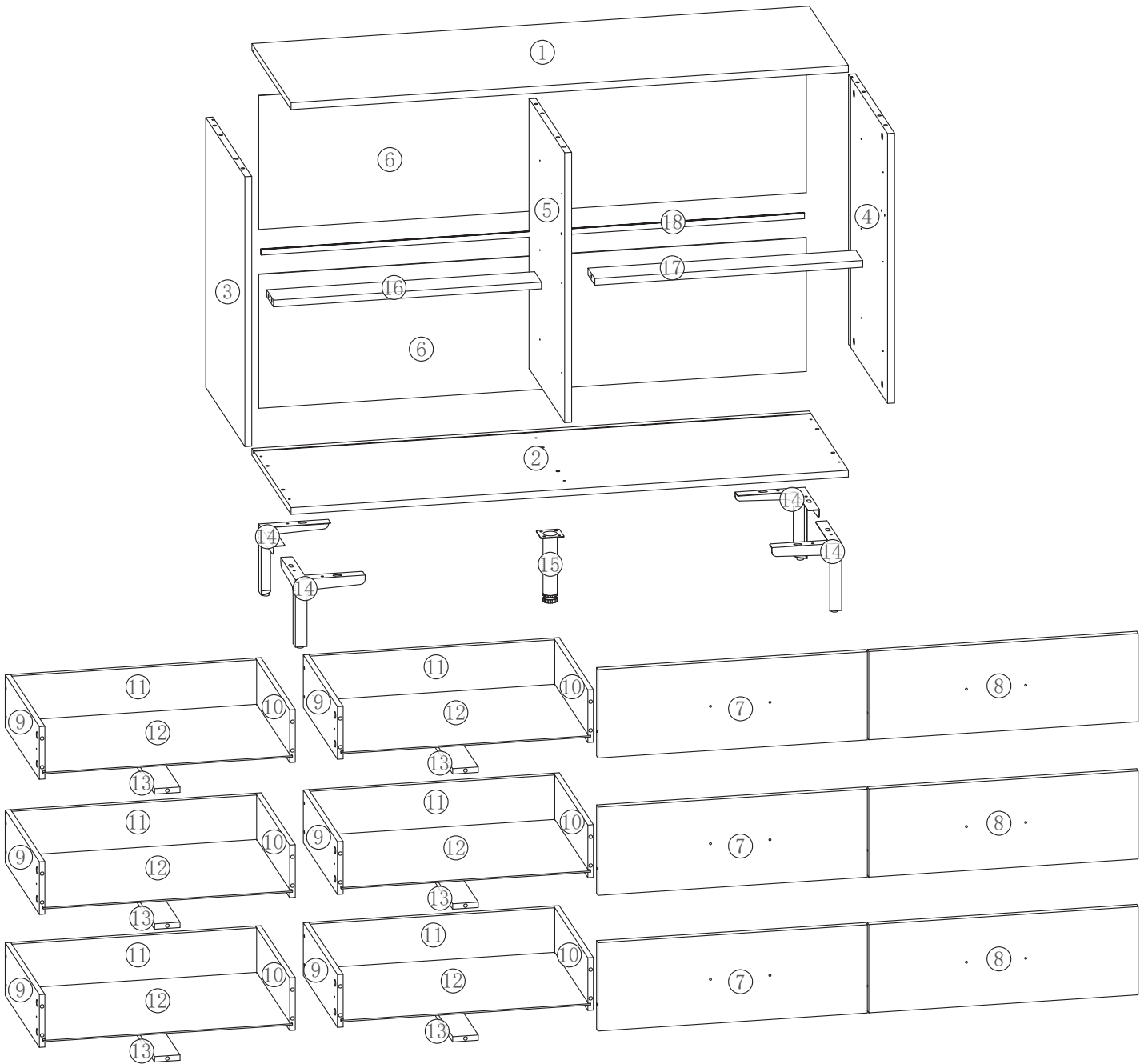


*Quickfit head should be in the centre of the cam lock when the two panels are joined.*

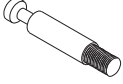

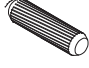
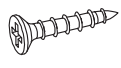

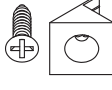

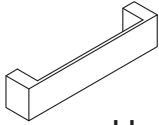

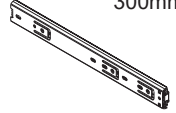

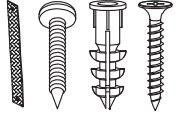
*Turn cam lock clockwise to tighten.*

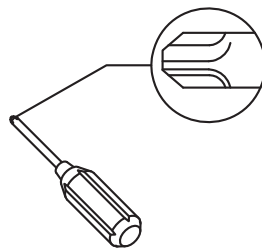


# Package Contains



## Hardware List

 6x34mm <b>A x 54+5</b>	 15x9mm <b>B x 54+5</b>	 8x30mm <b>C x 12+1</b>	 3.5x14mm <b>D x 60+6</b>	 6x12mm <b>E x 8</b>	 <b>F x 10+2</b>
 4x20mm <b>G x 12+2</b>	 <b>H x 6</b>	 <b>I x 1</b>	 300mm <b>J x 12</b>	 3.5x35mm <b>K x 24+2</b>	 <b>L x 2</b>



**Philips head screwdriver required for assembly  
(not included)**

*The hardware quantities listed above are required for proper assembly.  
Some extra hardware may also have been included.*

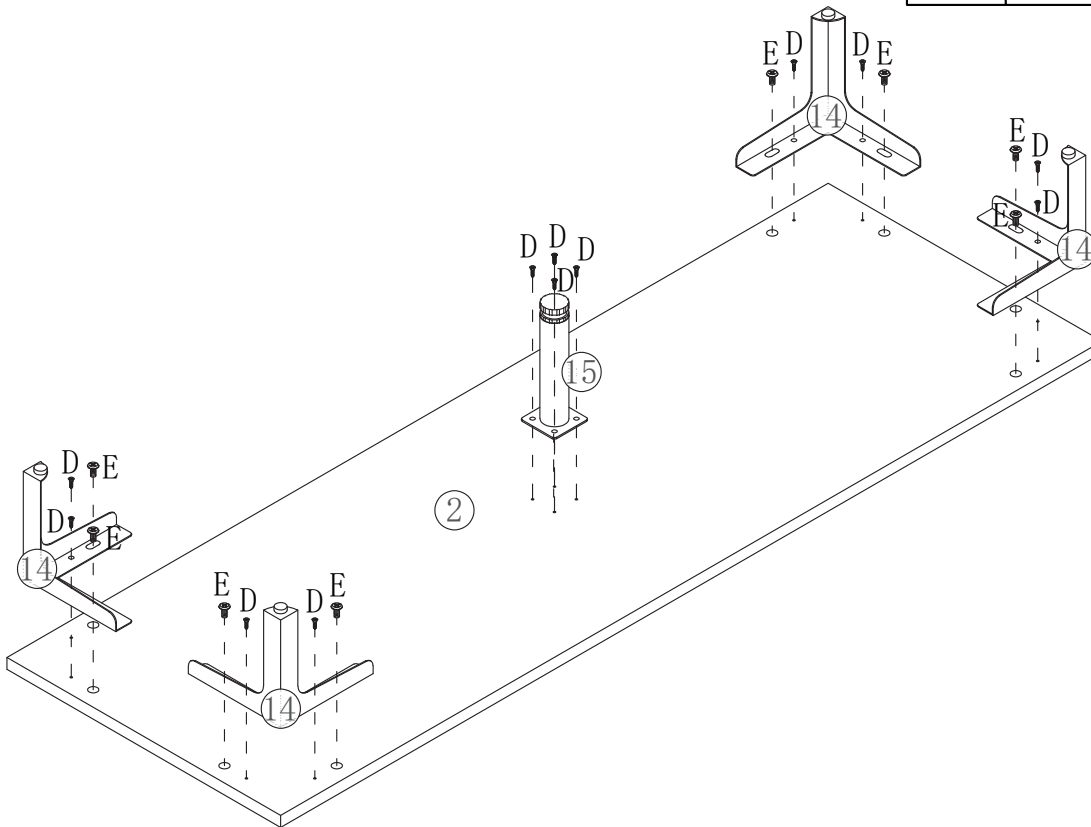
### **IMPORTANT**

1. *Do not tighten bolts / screws completely until all bolts / screws are lined up and inserted into holes.*
2. *Do not over tighten screws and bolts to avoid stripping.*
3. *Please use hand tools to assemble this product. Do not use power tools.*

1

You will need

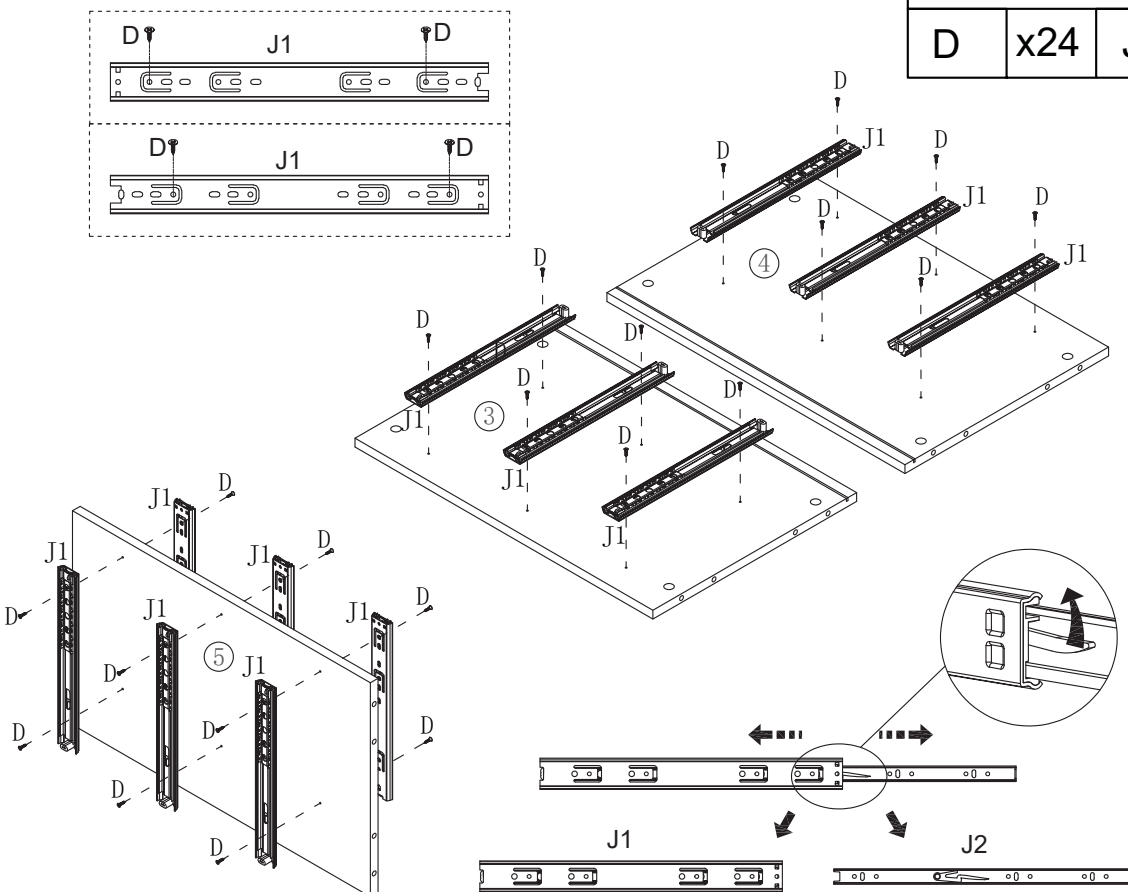
D	x12	E	x8
---	-----	---	----



2

You will need

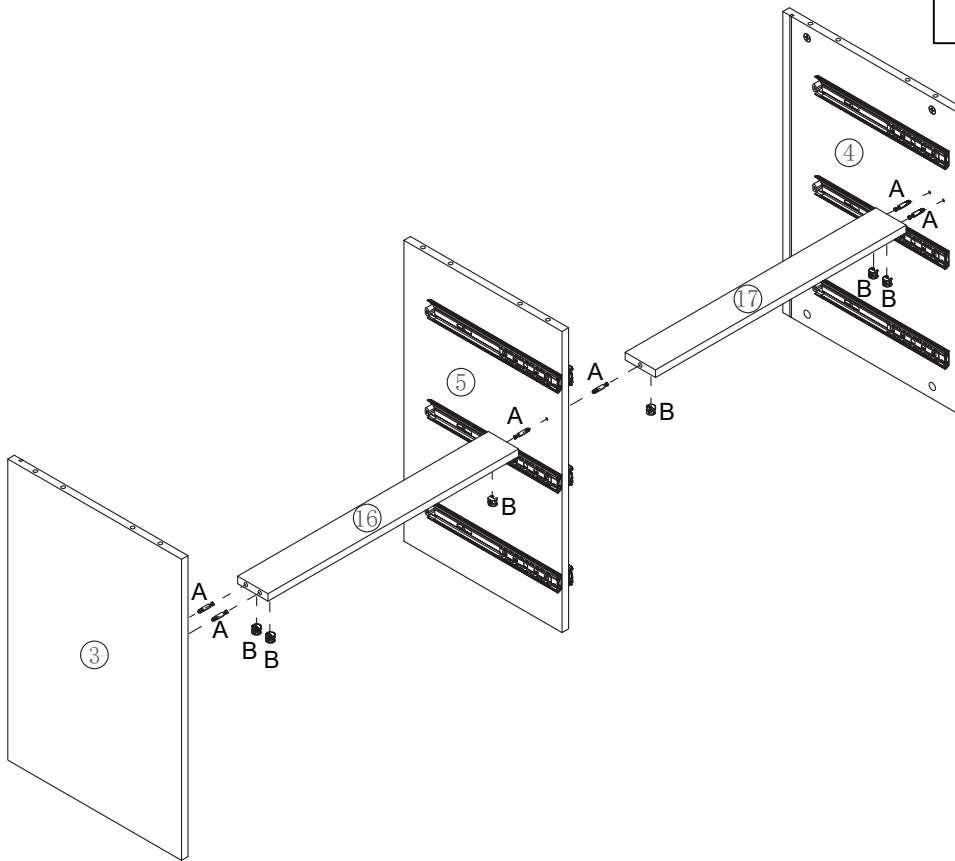
D	x24	J	x12
---	-----	---	-----



3

You will need

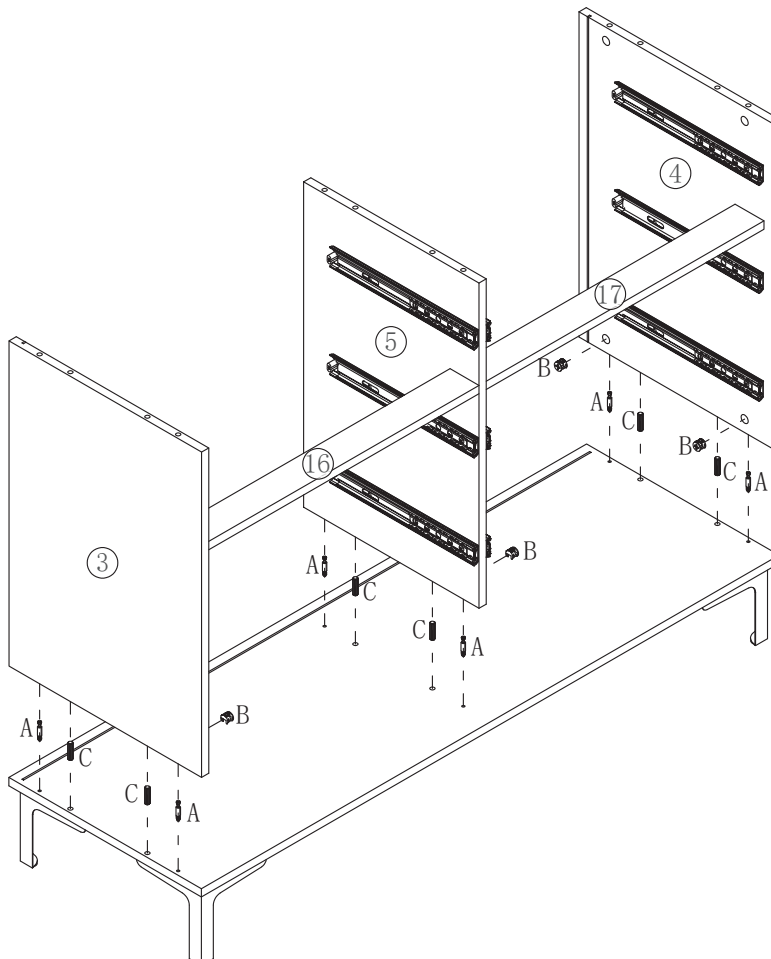
A	x6	B	x6
---	----	---	----



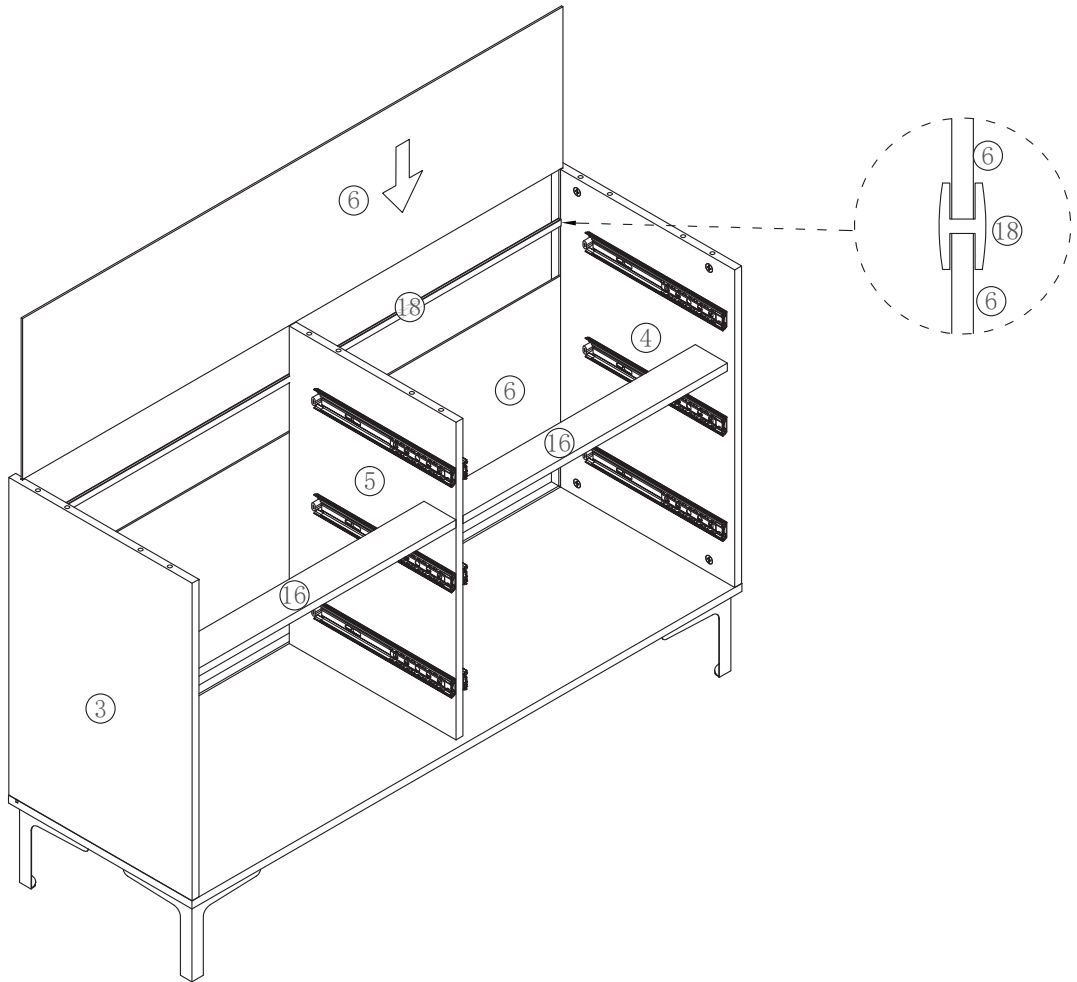
4

You will need

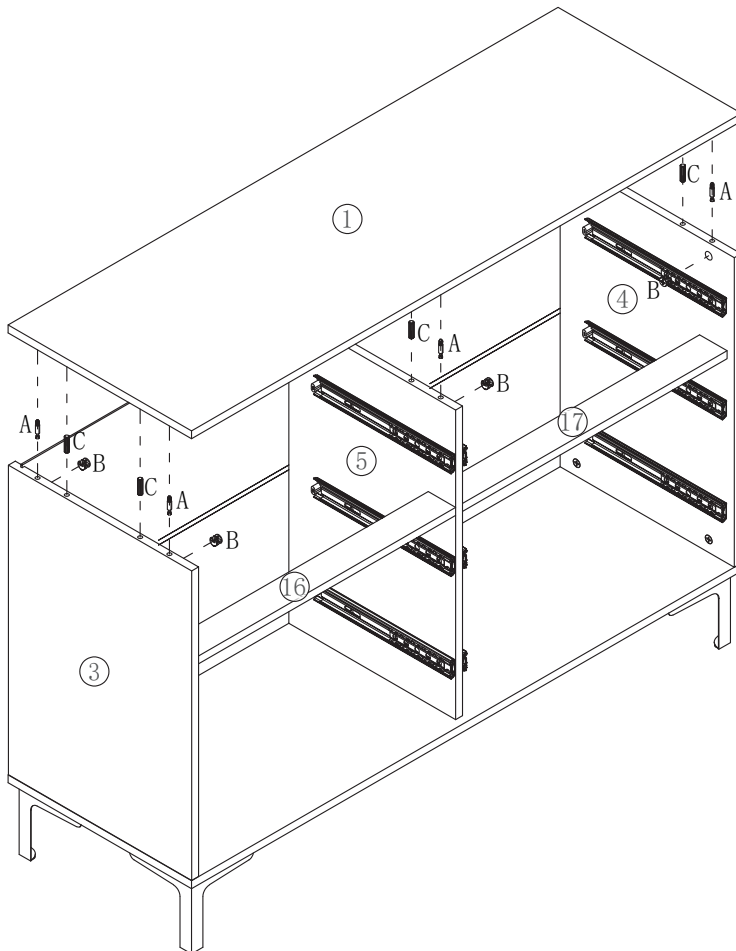
A	x6	B	x6
		C	x6



5



6



You will need

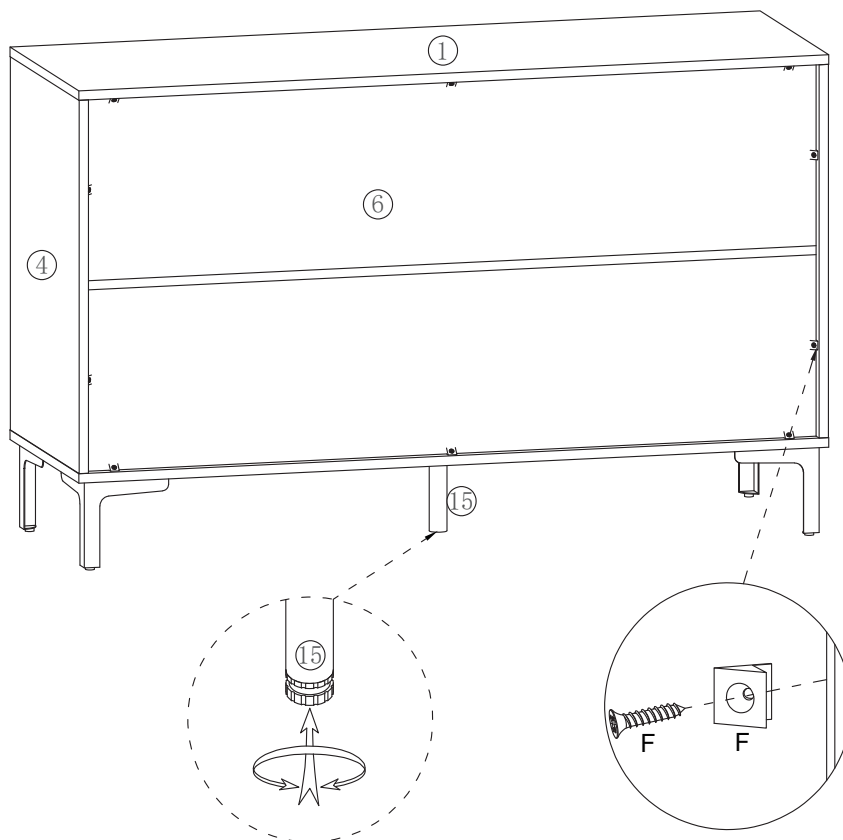
A	x6	B	x6
		C	x6

7

You will need

F

x10



8

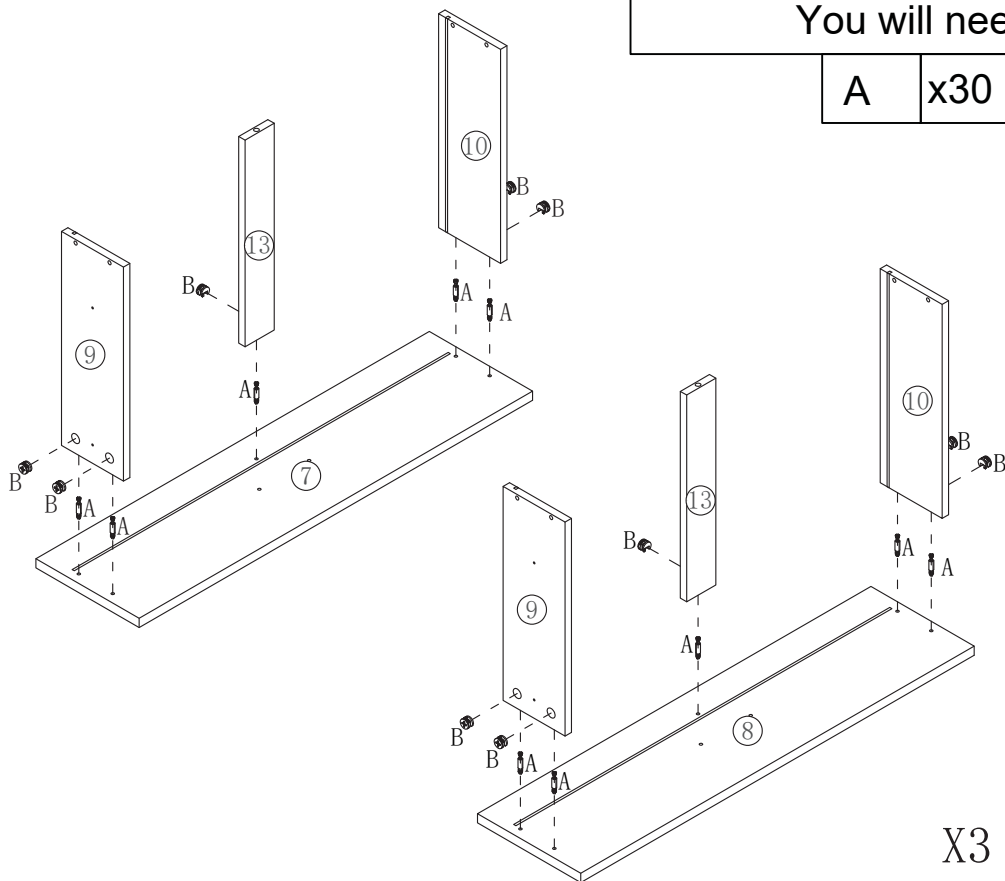
You will need

A

x30

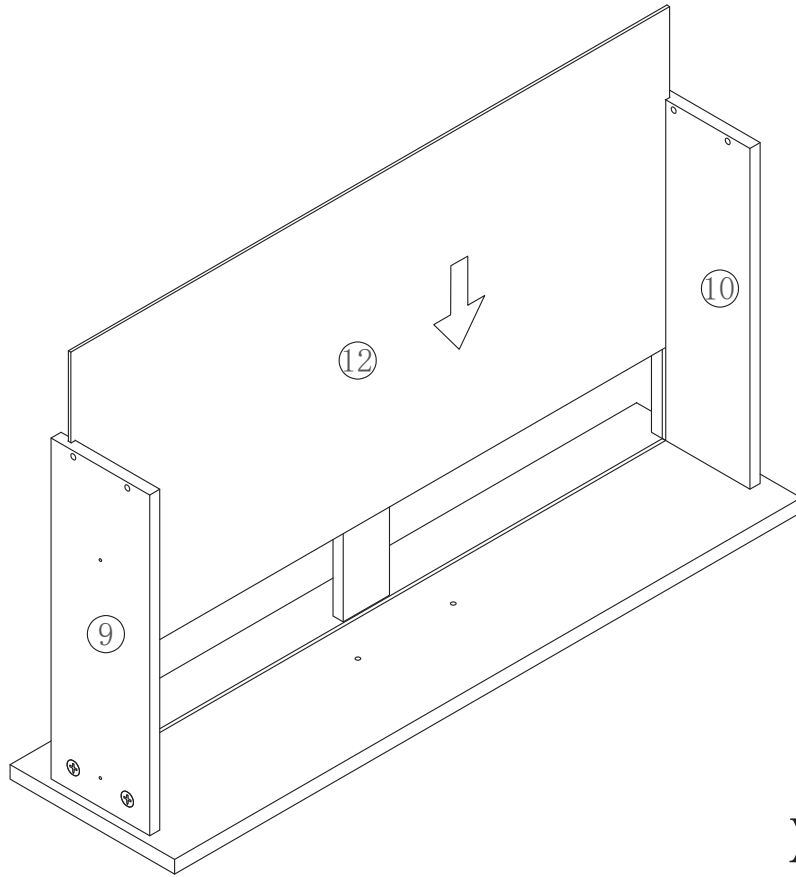
I

x30



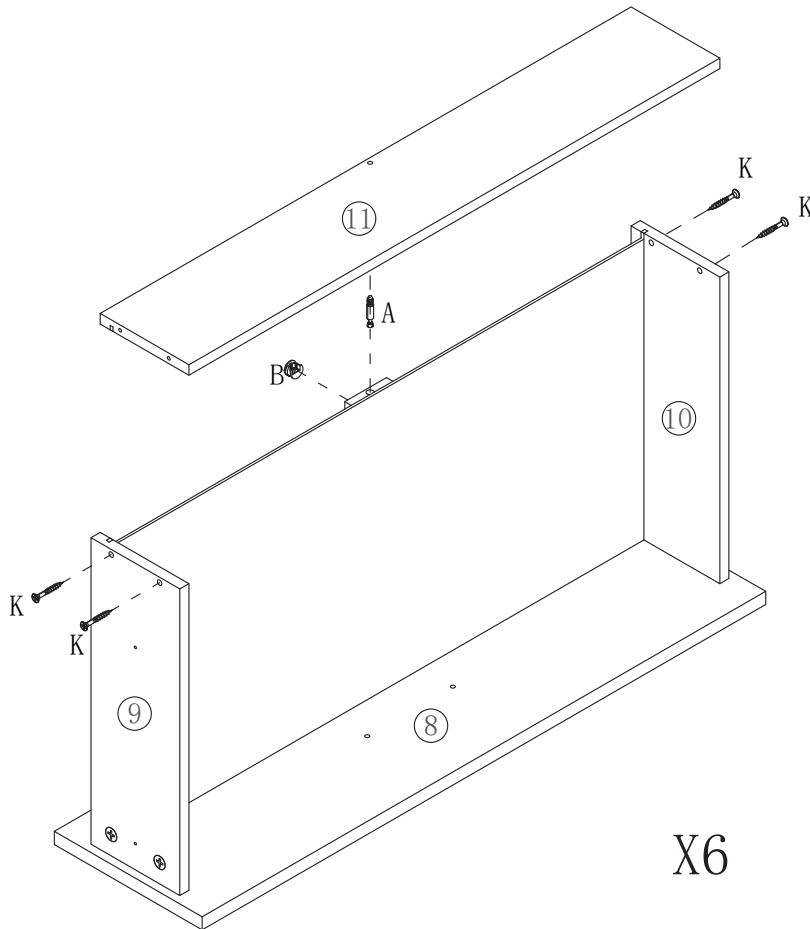
X3

9



X6

10



X6

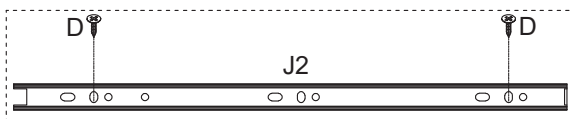
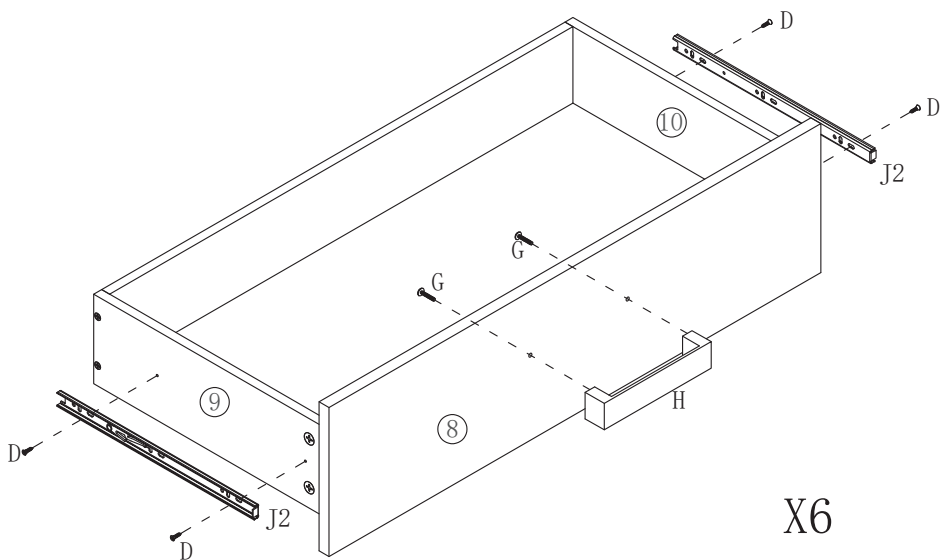
You will need

A	x6	B	x6
		K	x24

11

You will need

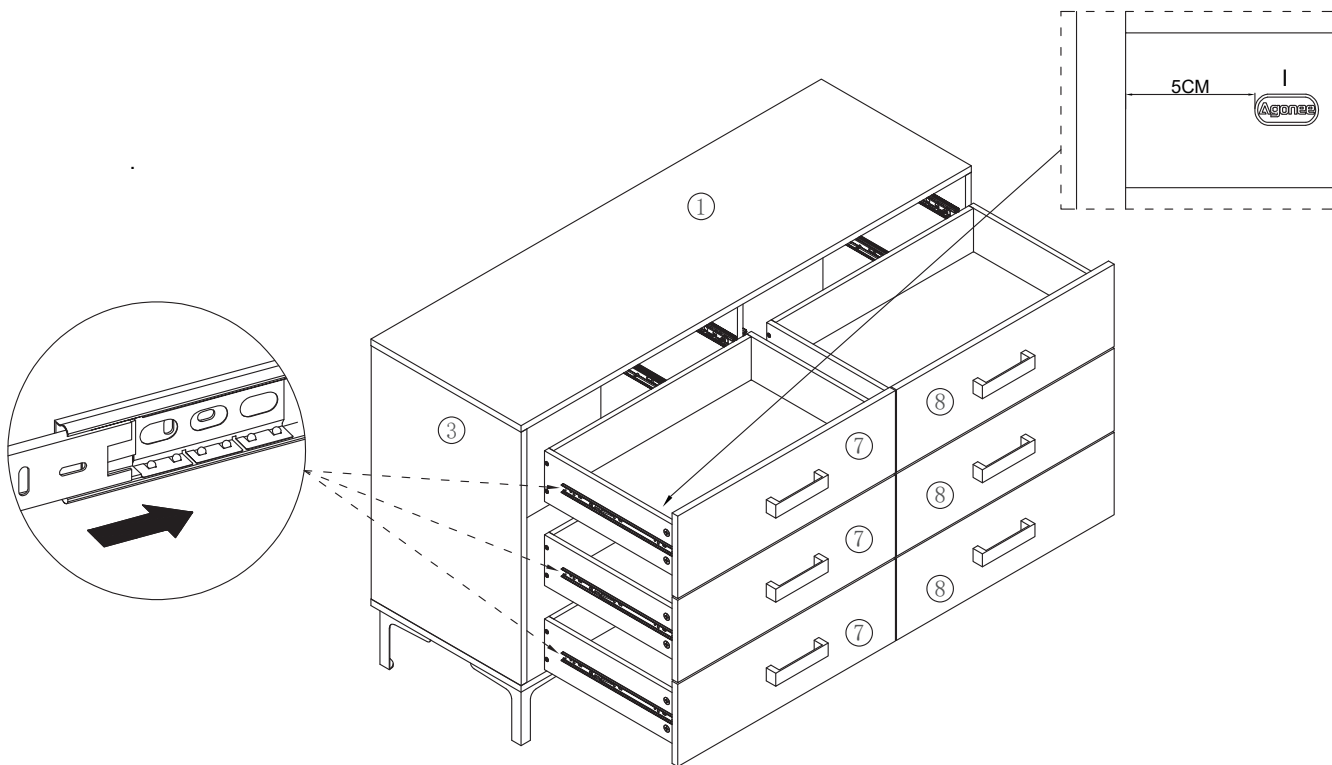
D	x24	J	x12	G	x1
				H	x1



12

You will need

I	x1
---	----

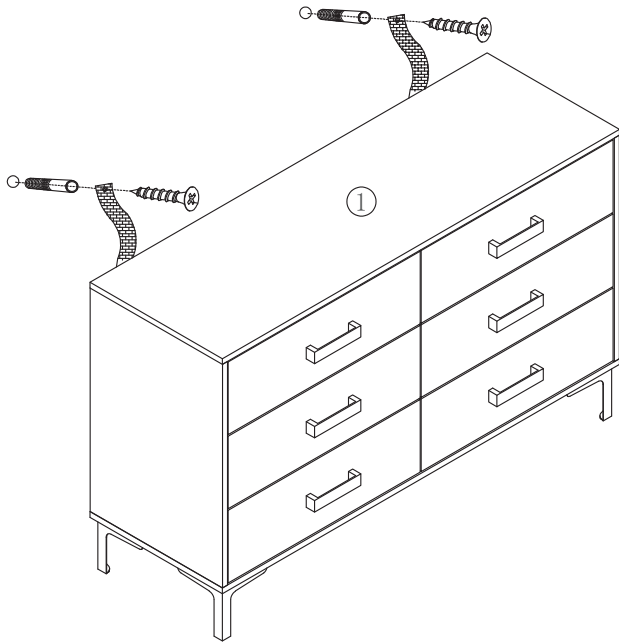
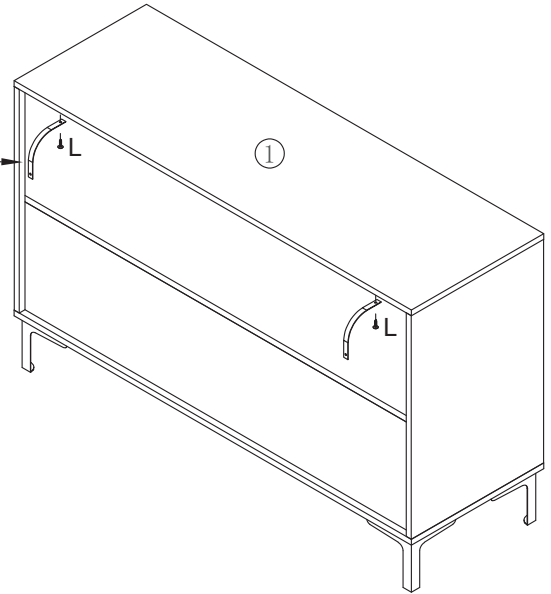
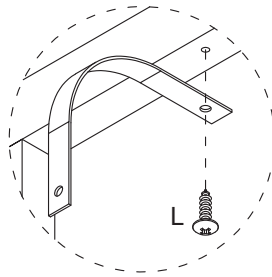


13

You will need

L

x2





**Final Assembly**