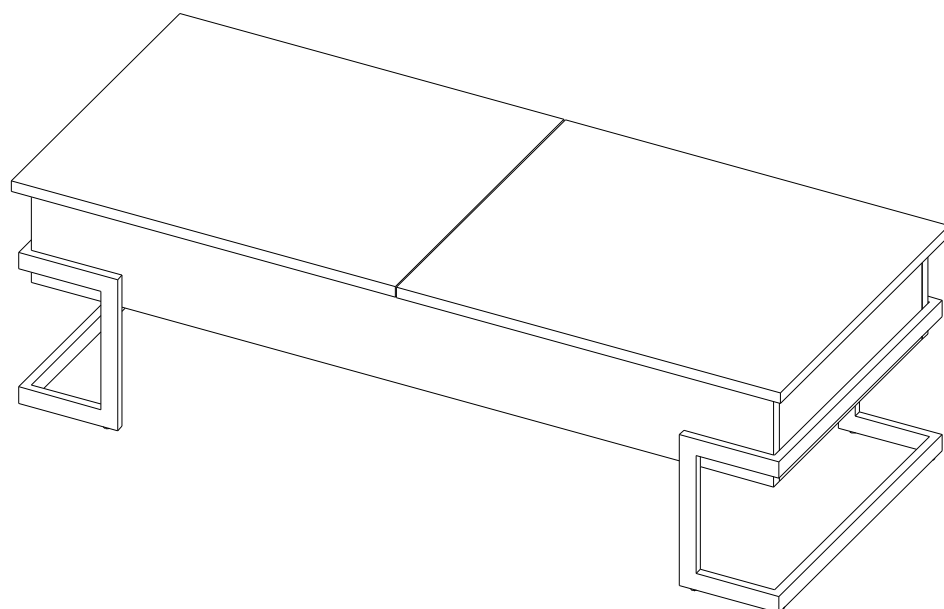
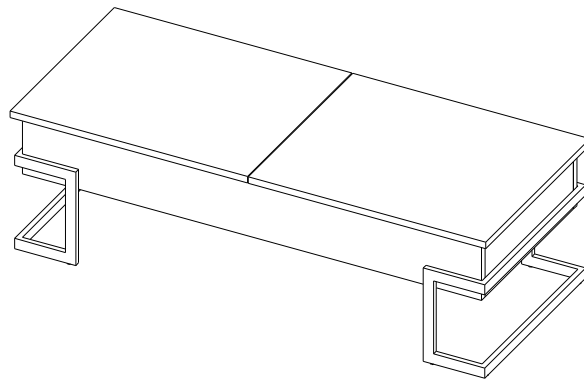


ASSEMBLY INSTRUCTIONS

COFFEE TABLE

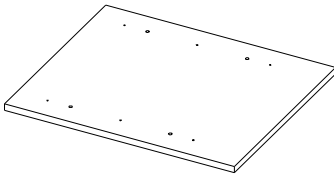


COFFEE TABLE

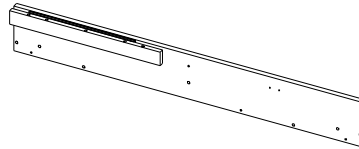


PARTS LIST

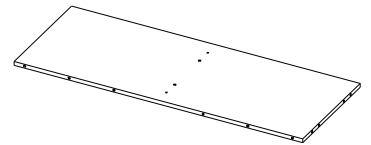
A X1



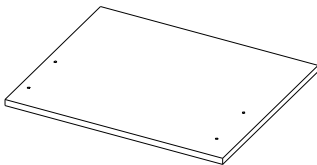
D X1



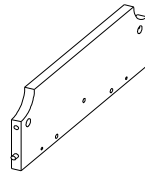
H X1



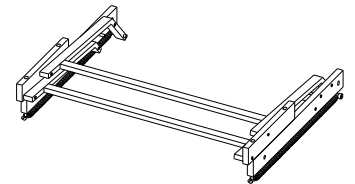
B X1



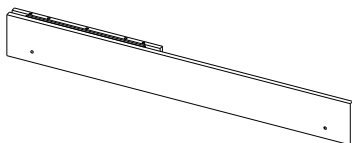
E X1



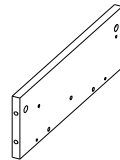
I X1



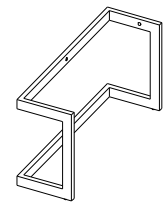
C X1



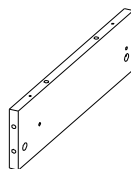
F X1



J X2



G X1

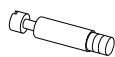


HARDWARE LIST

a X22



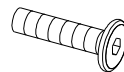
b X18



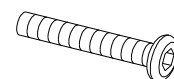
c X18



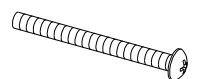
d X6



e X4



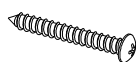
f X8



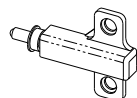
g X2



h X2



j X1



k X4

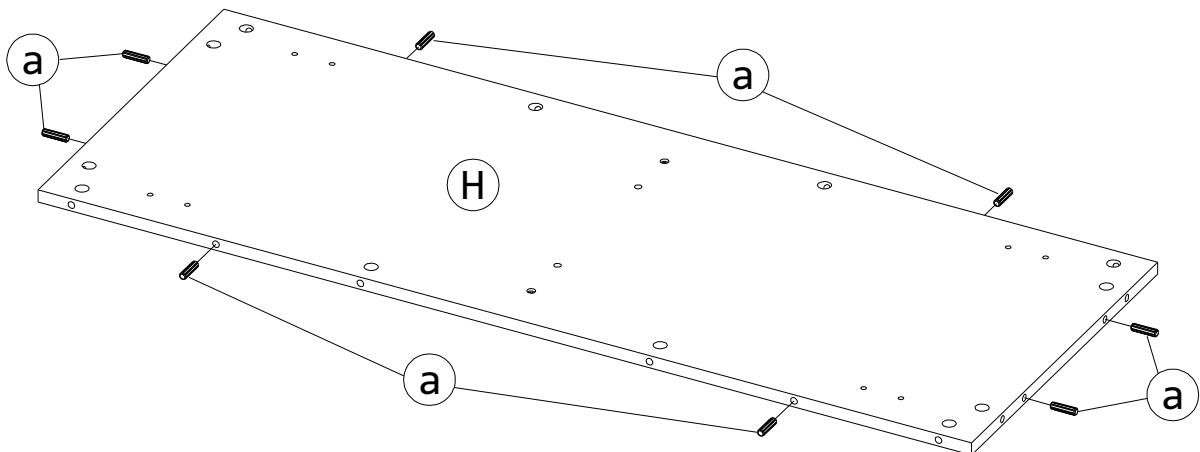
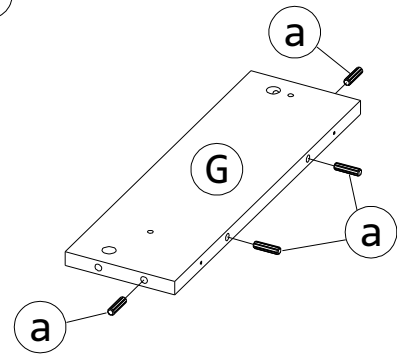
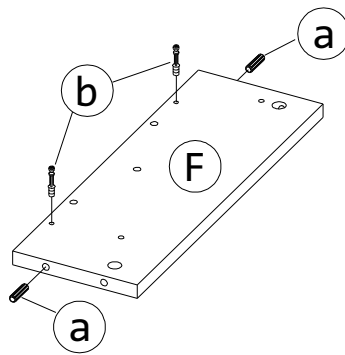
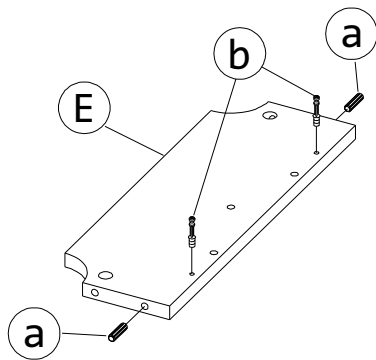
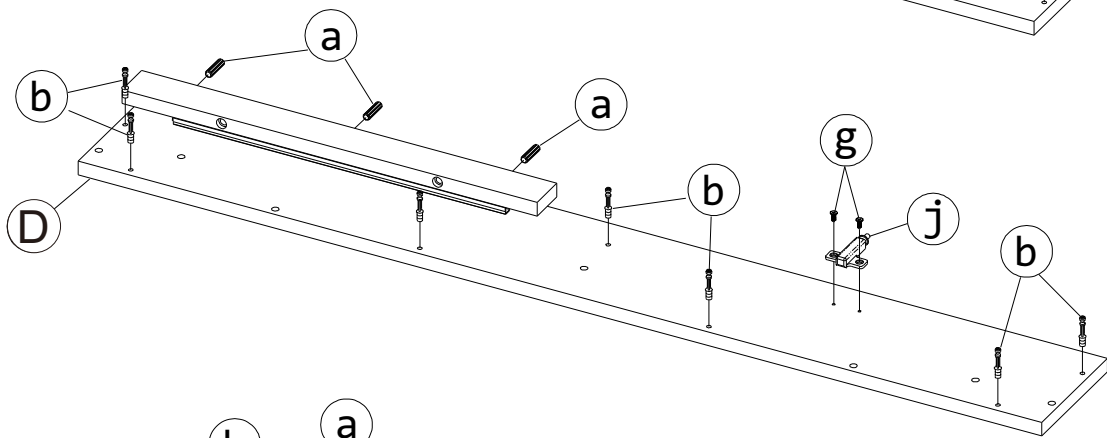
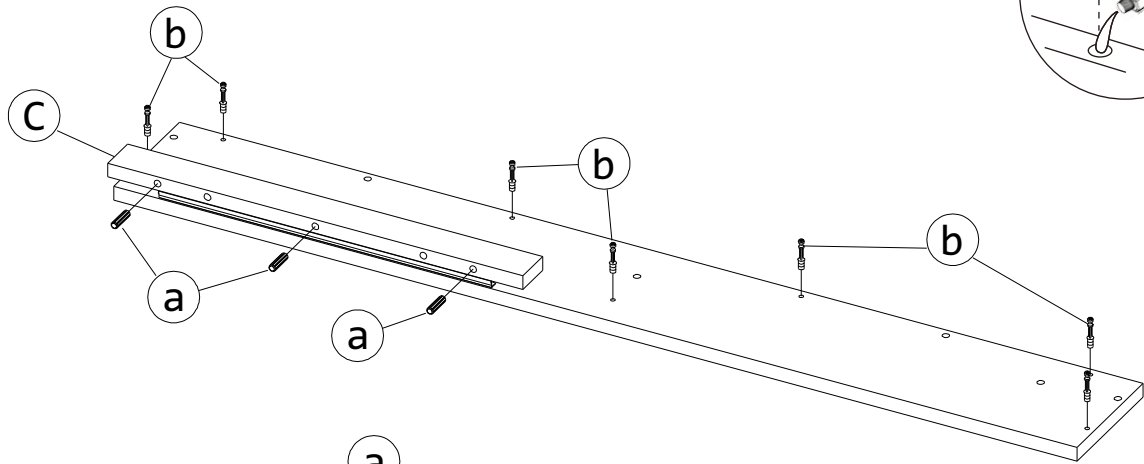
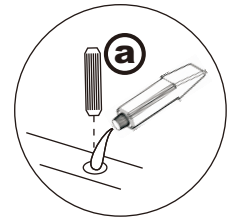


l X4



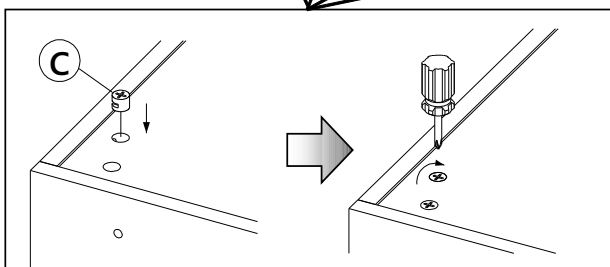
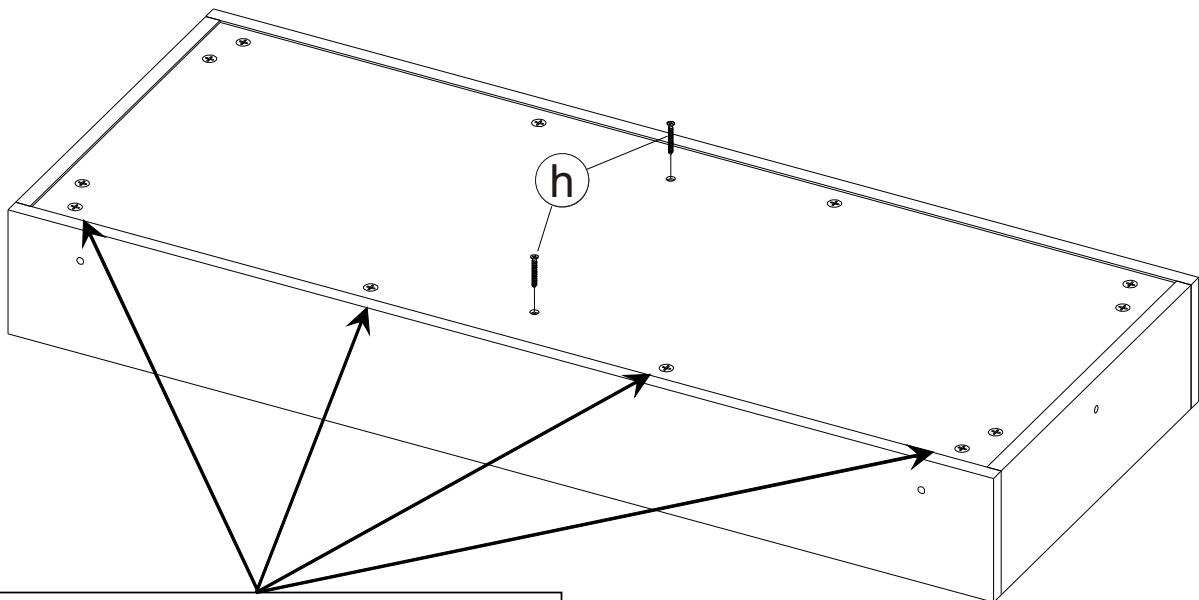
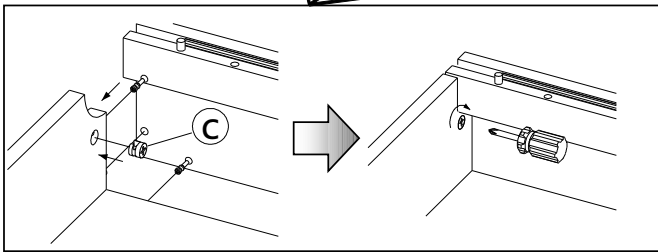
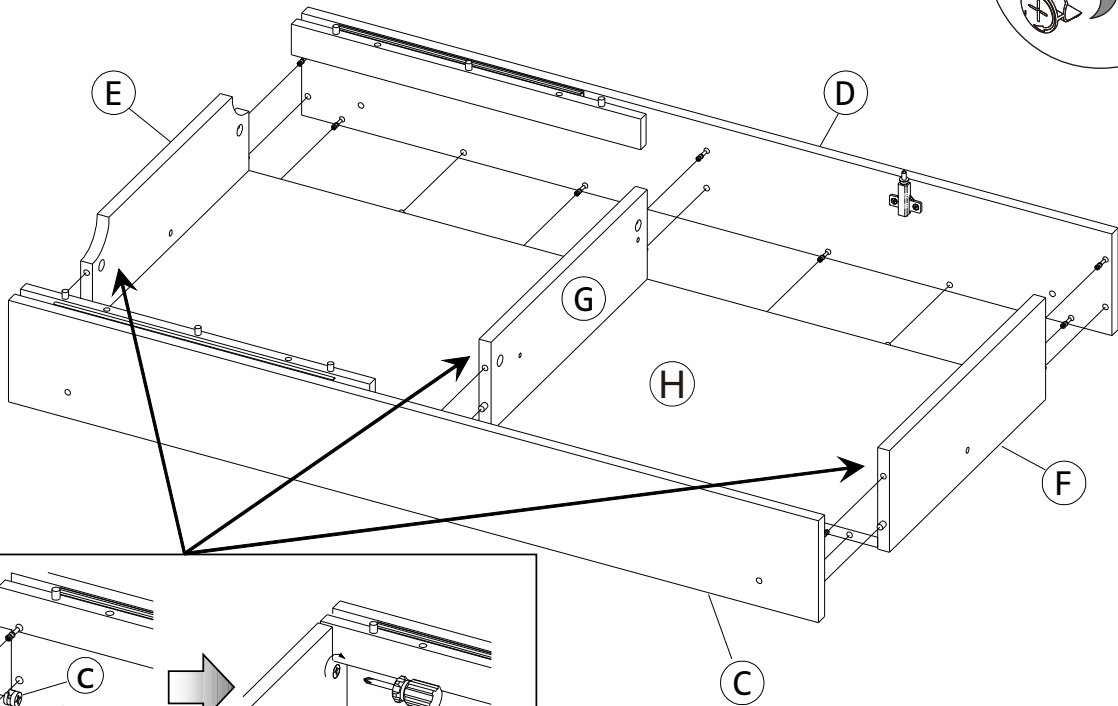
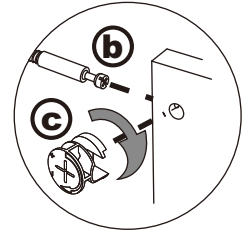
ASSEMBLY INSTRUCTIONS

Step 1.



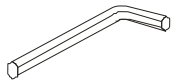
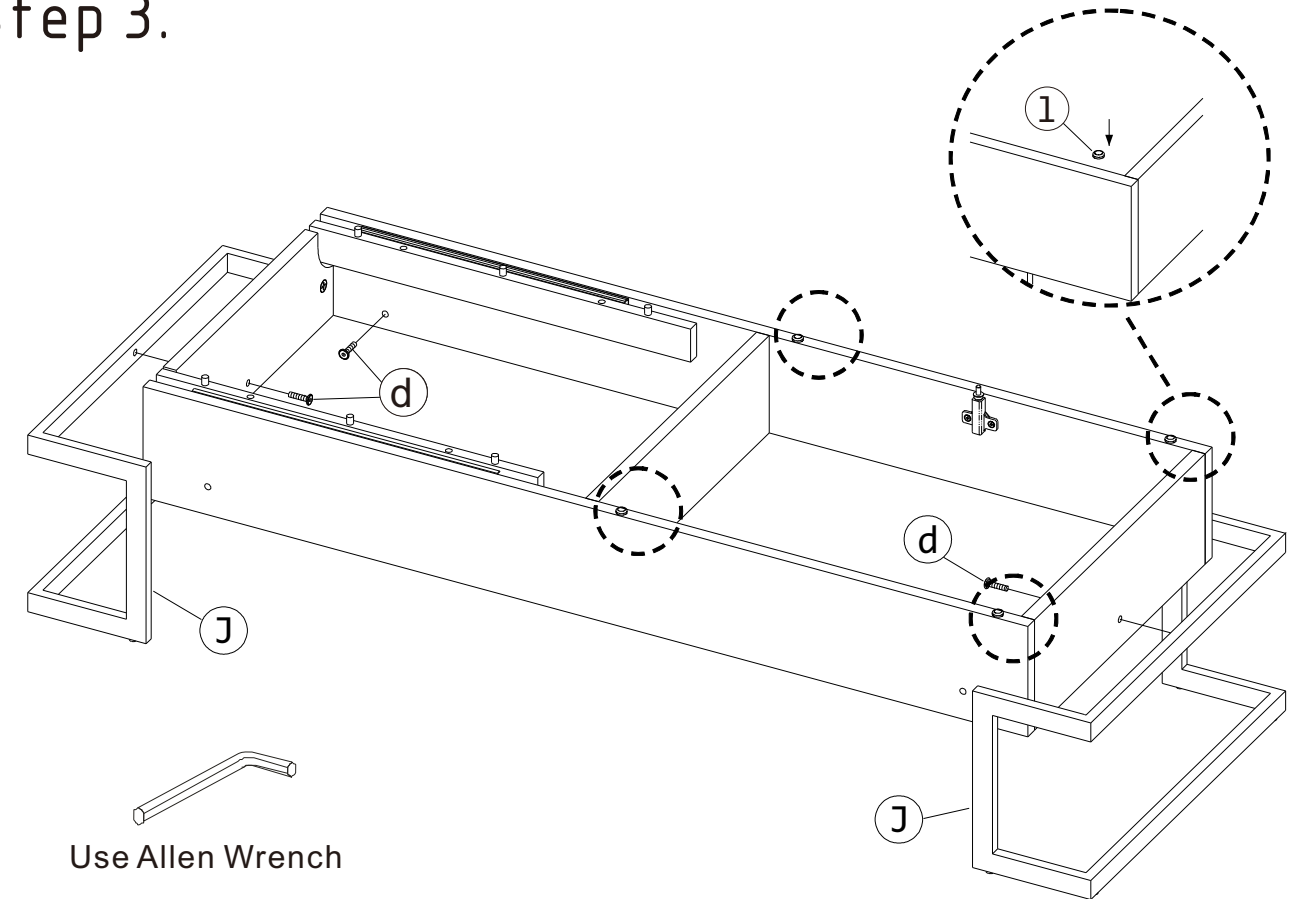
ASSEMBLY INSTRUCTIONS

Step 2.

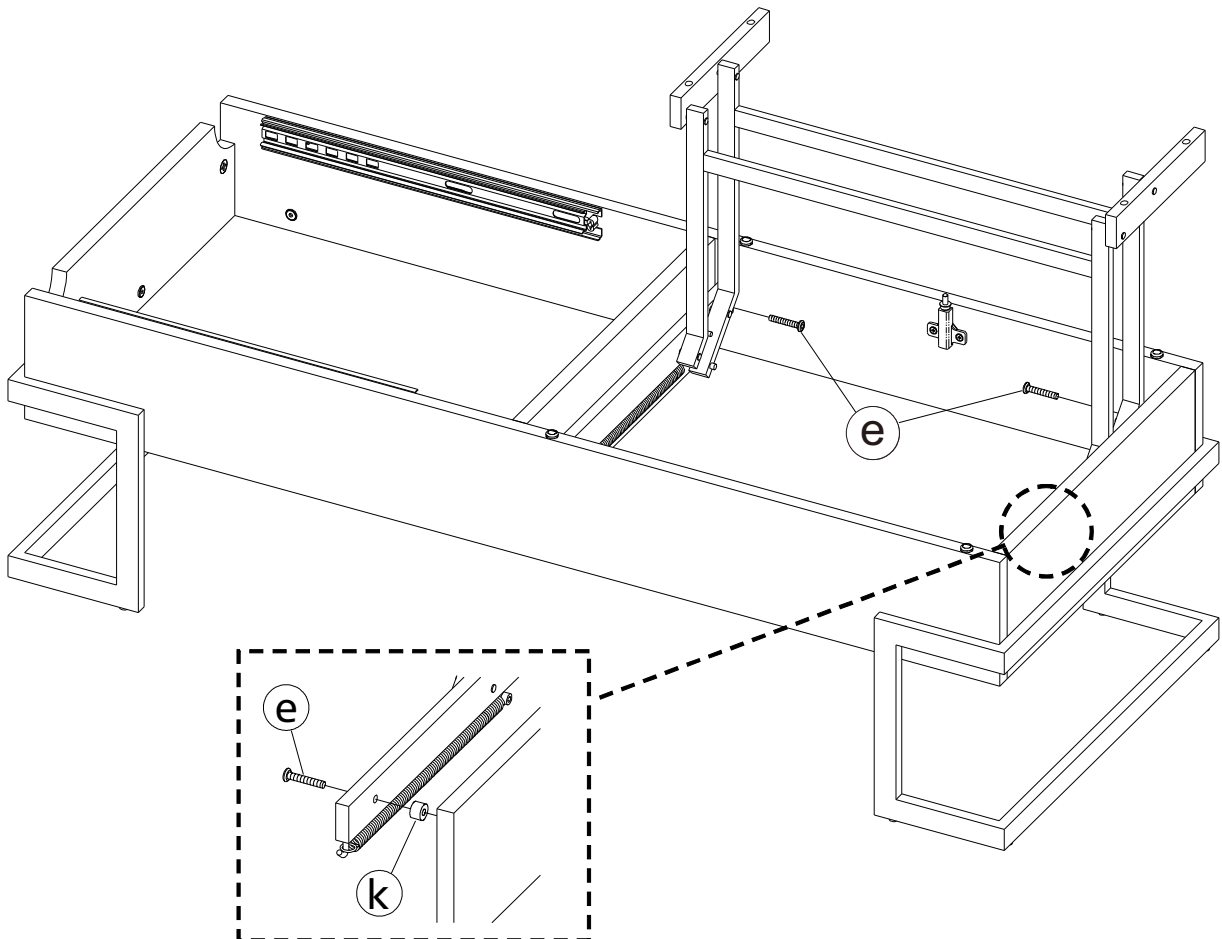


ASSEMBLY INSTRUCTIONS

Step 3.

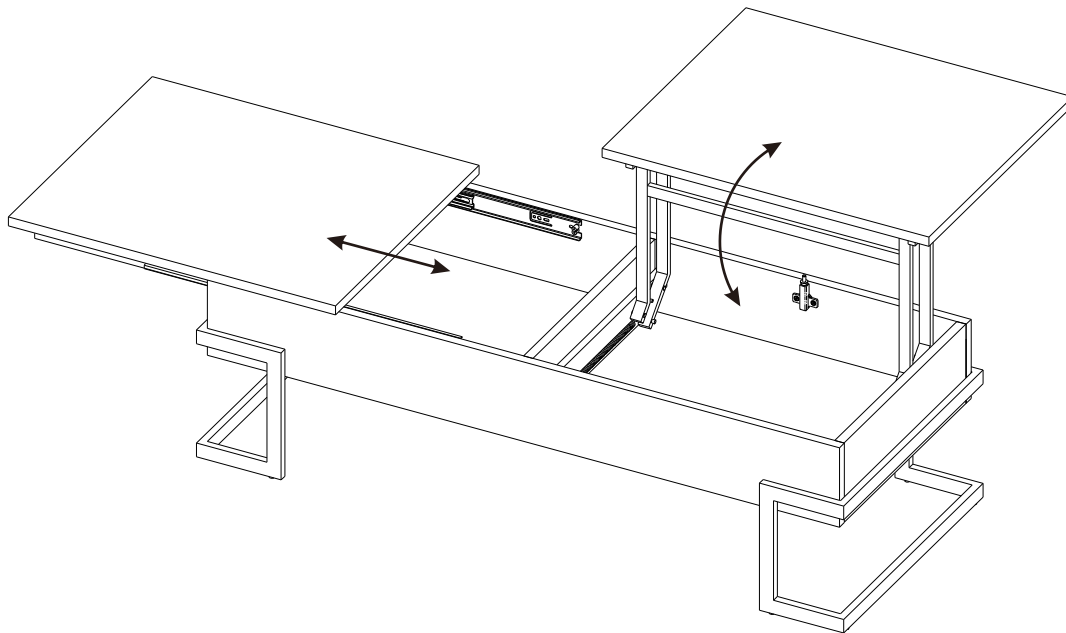
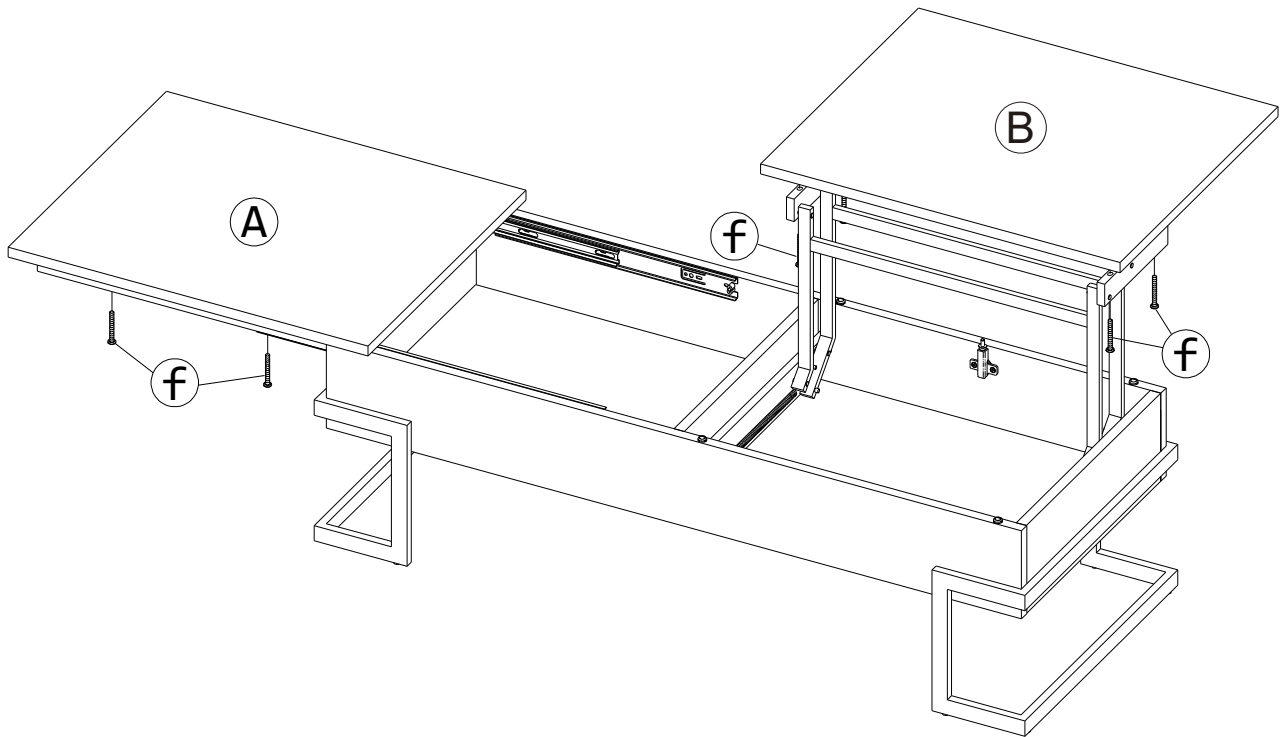


Use Allen Wrench



ASSEMBLY INSTRUCTIONS

Step 4.



ASSEMBLY IS COMPLETED

Make sure the product is rested on a flat surface and does not feel loose or wobbly. If it does, double check that the bolts/screws are secured and properly tightened.