

Assembly Instruction

Steam Side Table

Your furniture requires assembly prior to use. It is important that you read the entire assembly instructions to become familiar with the unit before you set up this product.

Safety Warning and Precautions

WARNING: When setting up your furniture, basic precautions should always be followed to reduce risk of personal injury and damage to the product.

Read all instructions before assembly and usage this product.

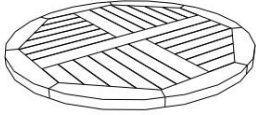

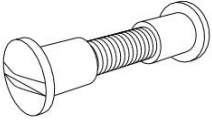
1. Select ideal location. Set out all parts on a clear and level surface prior to assembly. Ideally, the furniture should be set up in the desired location to avoid moving it after assembly.
2. Use caution. During all the processes of assembling, especially when lifting heavy or large parts, pay attention to safety.
3. Tools and Assistance. An adjustable spanner is required for assembly. It is recommended 2 people assist with assembly.
4. Check all parts before assembling, ensure you have all parts detailed in the parts list on Page 2.
5. Refer to assembly diagram. During assembly, refer to the assembly instructions on following pages.
6. Caution. Keep children away from work area during assembly. Do not allow children to handle parts or tools while assembling.



Assembly Instruction

Steamer Side Table

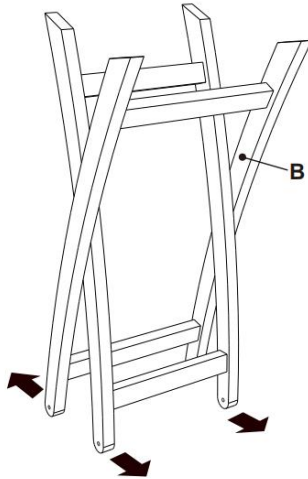
PANEL AND FITTINGS IDENTIFICATION

Part #	A	B	C
Description:	Table Top	Bottom Frame	Bolt
Figure:			
Qty:	1	1	4

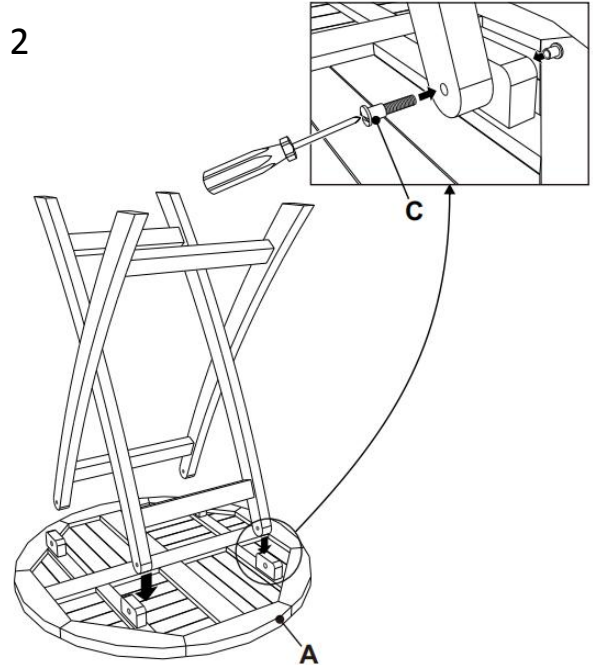
Assembly Instruction

Steam Side Table

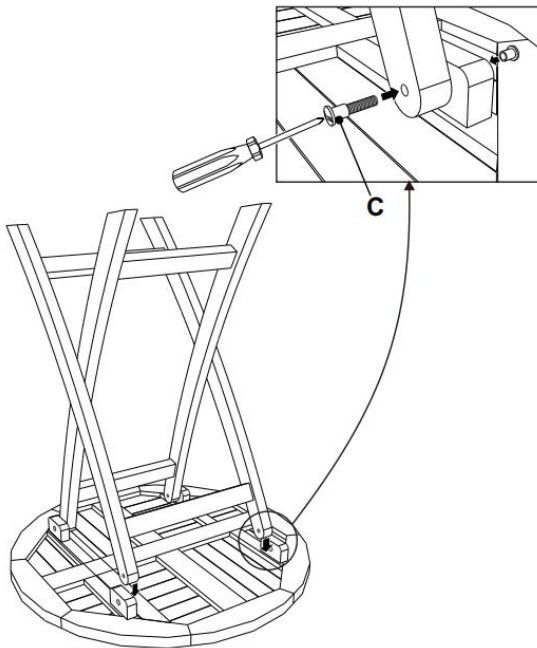
Step 1



Step 2



Step 3



Steps:

1. Open the Bottom Frame (Part B).
2. Attach one side of the Bottom Frame (Part B) to the Table Top (Part A) with Bolts (Part C) by using a bolt driver.
3. Attach the other side of the Bottom Frame (Part B) to the Table Top (Part A) with Bolts (Part C) by using a bolt driver.

Tighten all bolts. Your table is ready to be used.

Periodically check and make sure that all bolts are fully tightened.