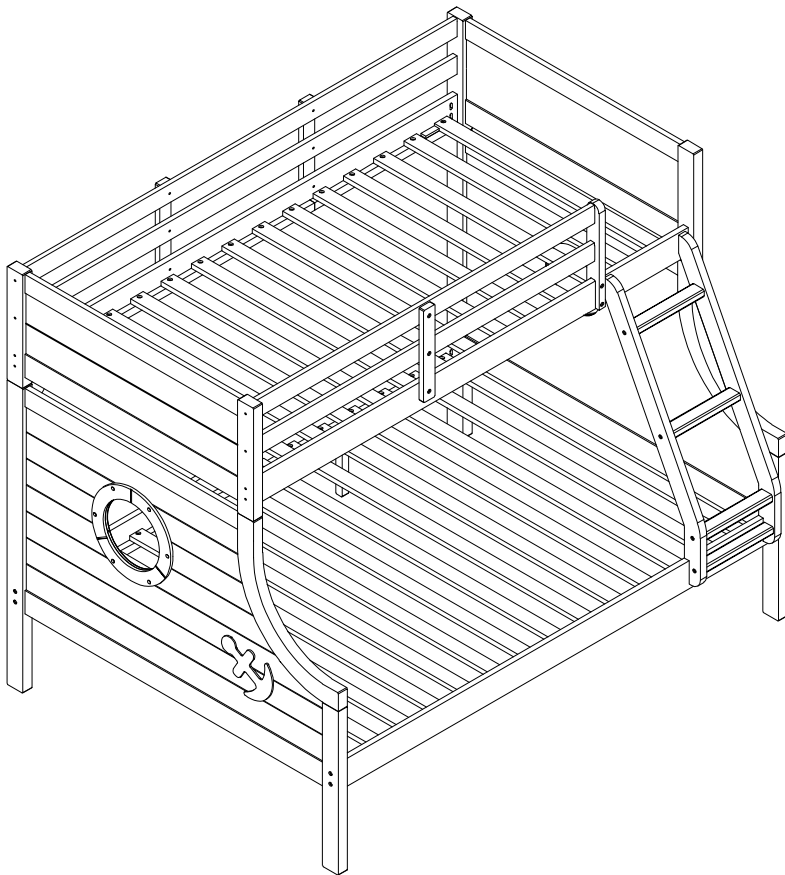


# ASSEMBLY INSTRUCTIONS

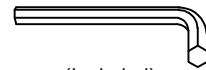
 <p>Patented Design</p>	<p><b>NO. 9,200,656</b> Insert &amp; Lock Joint Structure</p>	 <p>Insert and Lock Joint</p>
--	---	--



## TOOLS REQUIRED



Screwdriver  
( Not included)



(Included)

Allen Wrench



2 - People

## ASSEMBLY RATING



EASY ————— DIFFICULT

The Assembly Rating is a 5-point system showing the level of effort needed to assemble a specific product.



## **CHECK BEFORE STARTING**



### **Are you missing anything?**

Double-check all parts, hardware and accessories listed on Page 6 are accounted for.



### **Check out our Quick Tips!**

We recommend reviewing the pre-assembly handouts. Even experts need a refresher now and then!



### **Should we send any replacements?**

Are there any irregularities or flaws in the parts? We can send replacements!



### **Prep Time!**

Please review the assembly instructions and all diagrams prior to assembling. Set up your workspace by laying the parts and hardware out separately, then begin!

# PRE ASSEMBLY INTRODUCTION

We understand building ready-to-assemble furniture can be a challenging experience for some. To help avoid confusion, we have provided some helpful tips that may speed up the process.



## Teamwork

ALWAYS have at least two people to help with transporting and assembling the product to avoid potential injury and/or damage.



## Suitable Location

Assembling near the area of the intended location is highly recommended.



## Sufficient Space

Make sure you have enough space to move around during the assembly.



## Avoid Scratches

Use cardboard, blankets or a carpeted area while assembling furniture to prevent scratches.



## Flat Surface

Make sure the furniture rests on a flat and level surface with each leg evenly touching the floor.

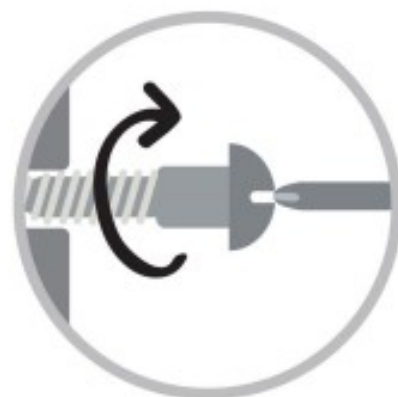
# ASSEMBLY AND CARE ADVICE



**FAILURE TO FOLLOW THE GUIDELINES BELOW MAY RESULT IN INJURY AND/OR PROPERTY DAMAGE.**



Position each part correctly and insert screws or bolts into their respective holes.



Turn clockwise to tighten and only tighten when step is completed or when instructed to do so.



Use the appropriate hand tools or power tools for assembly. Select steps, such as tightening screws and/or bolts, may require hand tools to avoid causing damage during assembly.



Save the instructions and store any supplied tools for later maintenance.



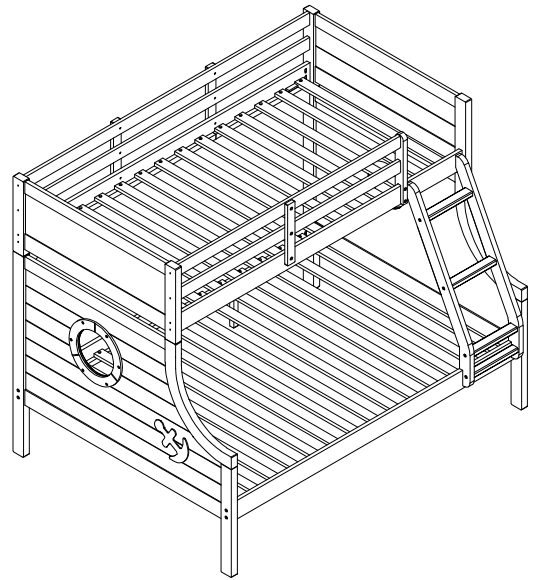
After two weeks, check and tighten any loose hardware and repeat again every six months thereafter.

**IT IS THE USER'S RESPONSIBILITY TO MAINTAIN THE FURNITURE. THE HARDWARE MAY LOOSEN OVER TIME AND MAY CAUSE THE FURNITURE TO BE WOBBLY AND UNABLE TO SUPPORT ITS INTENDED WEIGHT CAPACITY. THIS MAY LEAD TO COLLAPSE AND MAY CAUSE SERIOUS INJURY.**

# BUNKBED

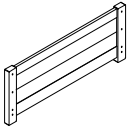


- Please keep instructions for future reference.
- Check the quantity and irregularity of parts and hardware before you start.



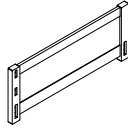
## PARTS

①



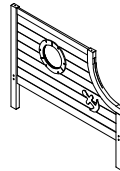
Left Headboard  
Frame  
1 PC.

②



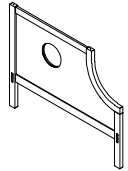
Right Headboard  
Frame  
1 PC.

③



Left Footboard  
Frame  
1 PC.

④



Right Footboard  
Frame  
1 PC.

⑤



Upper Front  
Side Rail  
1 PC.

⑥



Upper Back  
Side Rail  
1 PC.

⑦



Lower Front  
Side Rail  
1 PC.

⑧



Lower Back  
Side Rail  
1 PC.

⑨



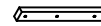
Back Guardrail  
2 PCS.

⑩



Front Guardrail  
2 PCS.

⑪



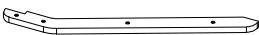
Guardrail Support  
3 PCS.

⑫



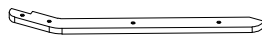
Guardrail  
Attachment  
1 PC.

⑬



Ladder Rail  
(Left)  
1 PC.

⑭



Ladder Rail  
(Right)  
1 PC.

⑮



Ladder Rung  
3 PCS.

⑯



Bottom  
Ladder Rung  
1 PC.

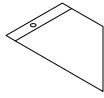
## PARTS

17



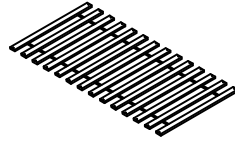
Corner Ladder  
1 PC.

18



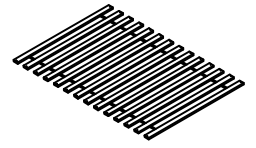
Corner  
2 PCS.

19



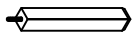
Twin Slat Kit  
1 set (14pcs).

20



Full Slat Kit  
1 set (14pcs).

21



Support Leg  
4 PCS.

## HARDWARE

A



Bolt  
Ø1/4" x 3-1/8"  
16 PCS.

B



Bolt  
Ø1/4" x 1-1/2"  
22 PCS.

C



Bolt  
Ø5/16" x 2-3/8"  
8 PCS.

D



Screw  
#4 x 35mm  
58 PCS.

E



Bolt  
Ø1/4" x 1"  
9 PCS.

F



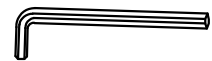
Nut  
Ø1/4" x 1"  
11 PCS.

G



Metal Dowel  
9 x 3-1/2"  
4 PCS.

H



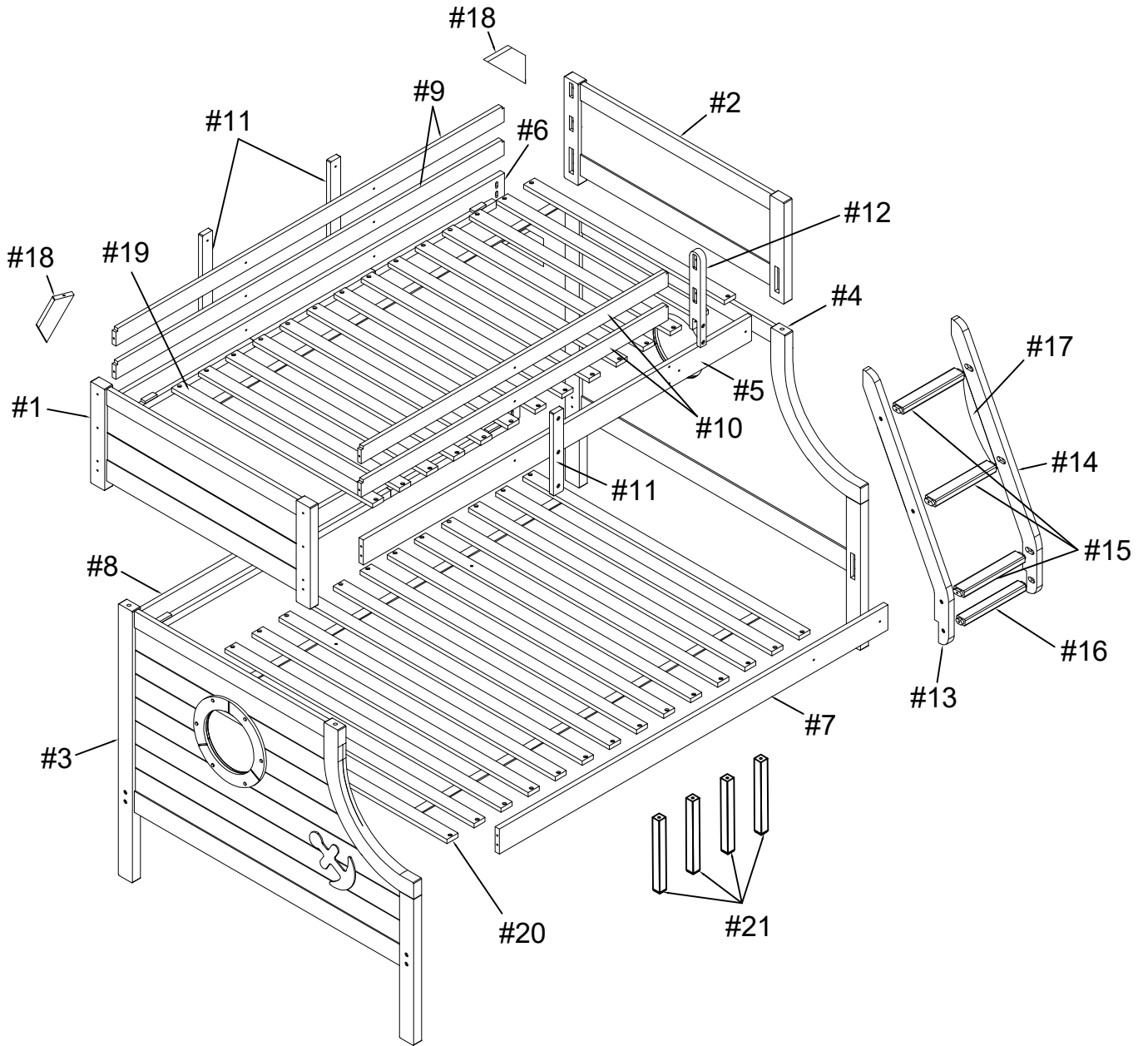
Allen Wrench 4mm  
2 PCS.

I

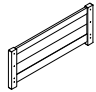
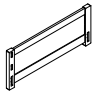
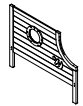






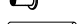


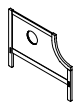








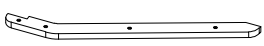

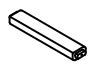


Wood Dowel  
40 x 10 x 10  
2 PCS.

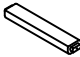

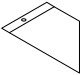

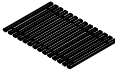
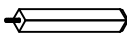
# Exploded View



# packed in 4 cases

Carton	Disignation	Part	Hardware
	Left Headboard Frame	#1 	
	Right Headboard Frame	#2 	
	Left Footboard Frame	#3 	 A : 16PCS  B : 22PCS  C : 8PCS  D : 58PCS  E : 9PCS  F : 22PCS  G : 4PCS  H : 2PCS  I : 2PCS
	Right Footboard Frame	#4 	
	Upper Front Side Rail	#5 	
	Upper Back Side Rail	#6 	
	Lower Front Side Rail	#7 	
	Lower Back Side Rail	#8 	
	Back Guardrail	#9 	
	Front Guardrail	#10 	
	Guardrail Support	#11 	
	Guardrail Attachment	#12 	
	Ladder Rail (Right)	#13 	
	Ladder Rail (Left)	#14 	
	Ladder Rung	#15 	

# packed in 4 cases

Carton	Disignation	Part	Hardware	
	Bottom Ladder Rung	#16		
	Corner Ladder	#17		
	Corner	#18		
	Twin Slat Kit	#19		
	Full Slat Kit	#20		
	Support Leg	#21		

# ASSEMBLY INSTRUCTIONS

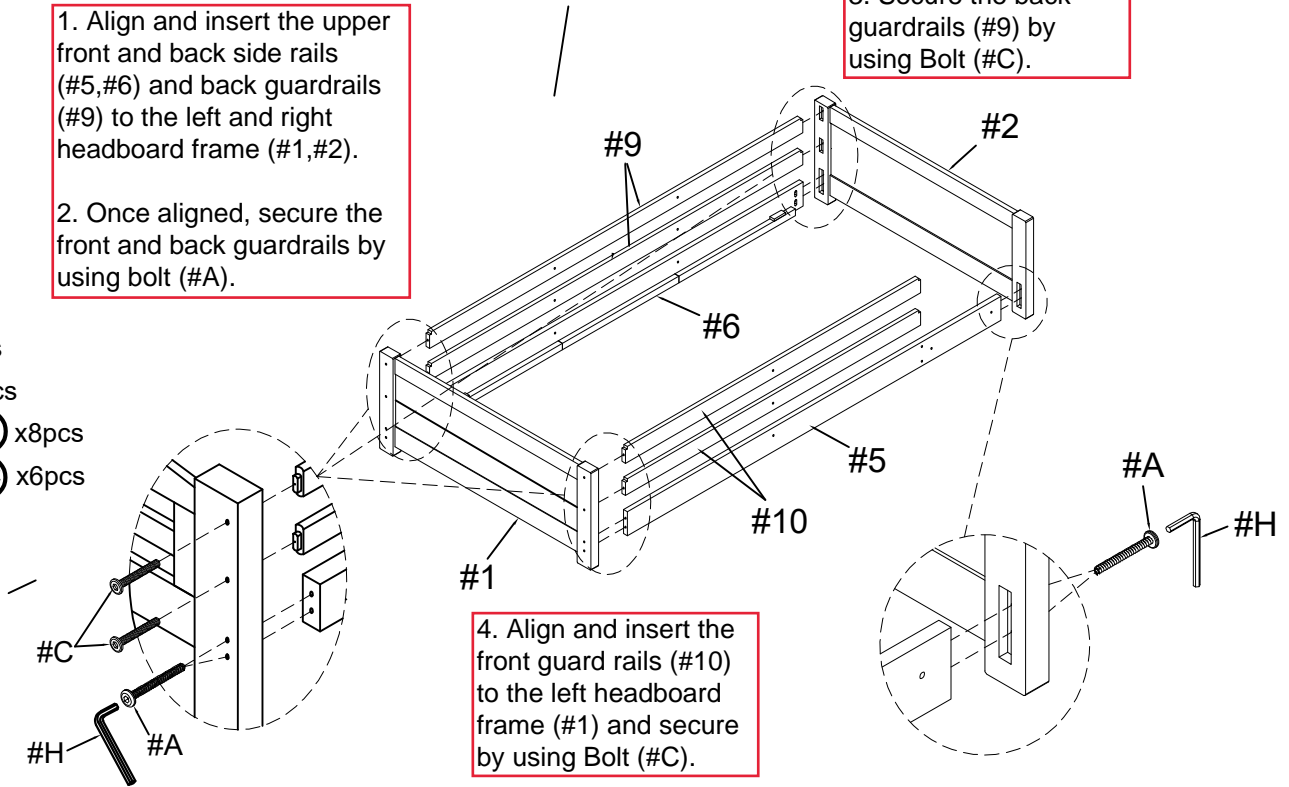
## 1

- Part #1 x1pc
- Part #2 x1pc
- Part #5 x1pc
- Part #6 x1pc
- Part #9 x2pcs
- Part #10 x2pcs
- Hardware #A x8pcs
- Hardware #C x6pcs

1. Align and insert the upper front and back side rails (#5,#6) and back guardrails (#9) to the left and right headboard frame (#1,#2).

2. Once aligned, secure the front and back guardrails by using bolt (#A).

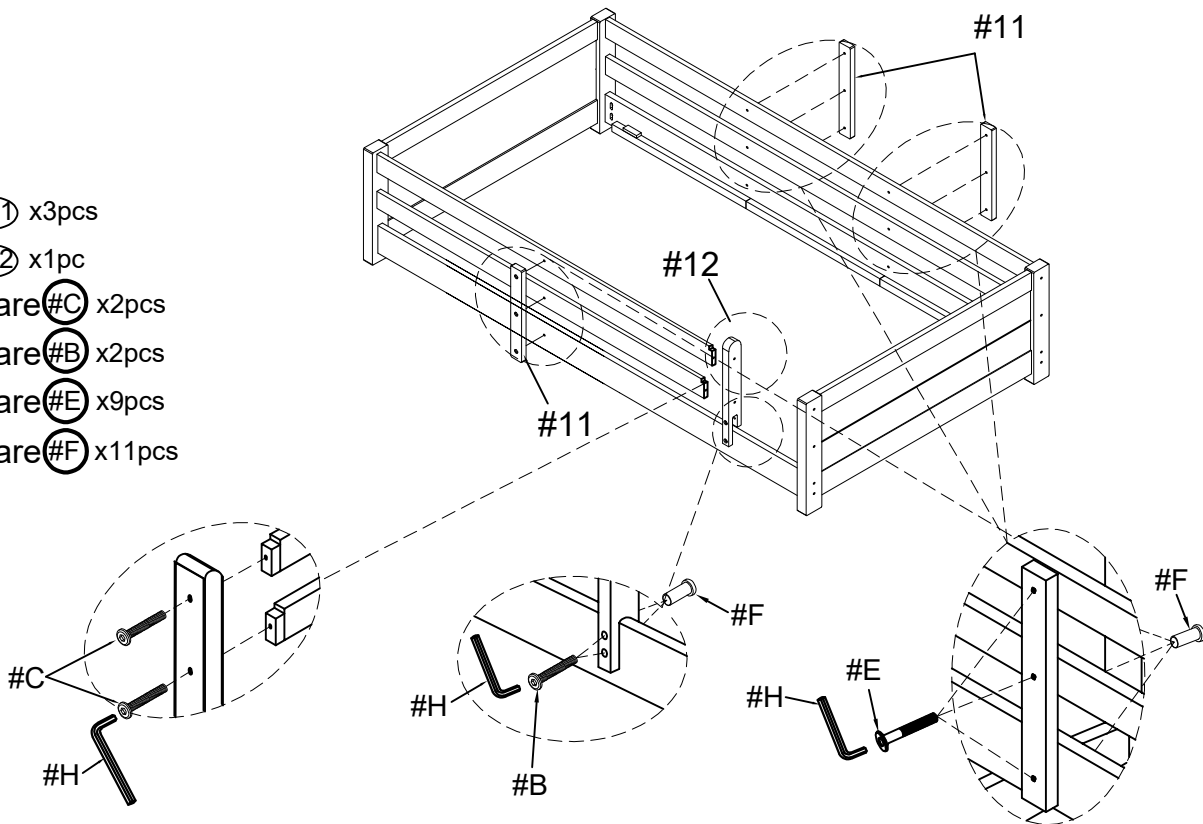
3. Secure the back guardrails (#9) by using Bolt (#C).



4. Align and insert the front guard rails (#10) to the left headboard frame (#1) and secure by using Bolt (#C).

## 2

- Part #11 x3pcs
- Part #12 x1pc
- Hardware #C x2pcs
- Hardware #B x2pcs
- Hardware #E x9pcs
- Hardware #F x11pcs



1. Align Guardrail support (#11) over the side rail and guardrail (#6,#9) and secure by tightening Bolt (#E) into Nut (#F). Repeat steps to attach support (#11) over the front side rail (#5) and guardrail (#10).

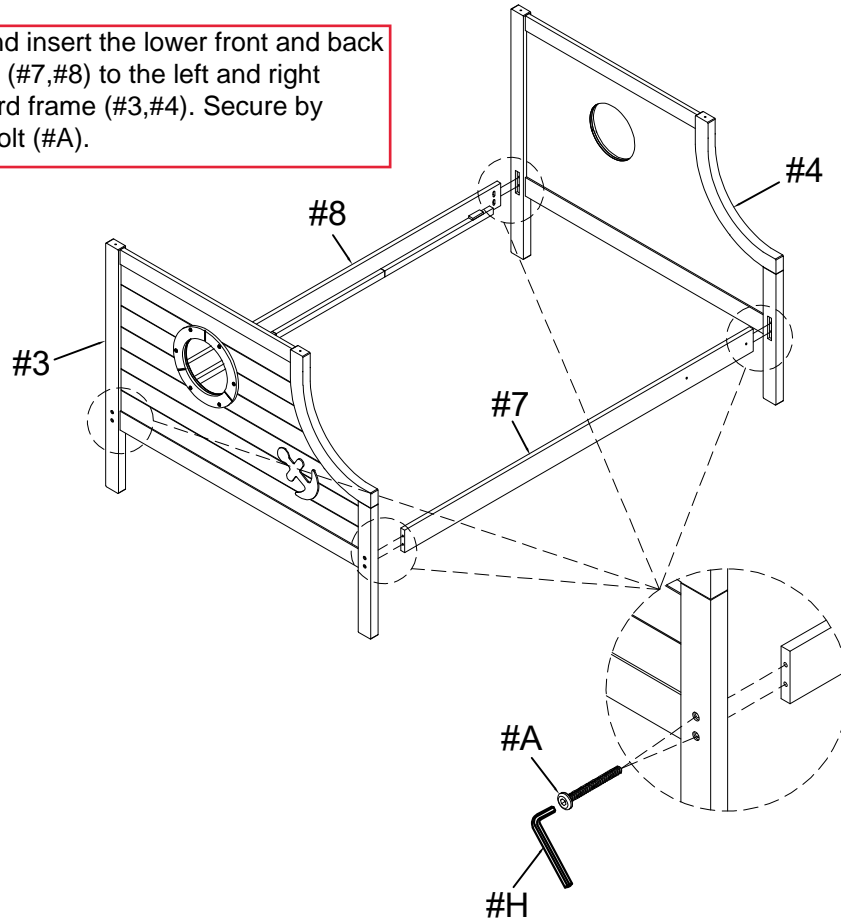
2. Align the guardrail attachment (#12) to the end of the guardrails (#10) and secure by using Bolt (#C). Attach to the front side rail (#5) by tightening Bolt (#B) into nut (#F).

# ASSEMBLY INSTRUCTIONS

## 3

- Part #3 x1pc
- Part #4 x1pc
- Part #7 x1pc
- Part #8 x1pc
- Hardware #A x8pcs

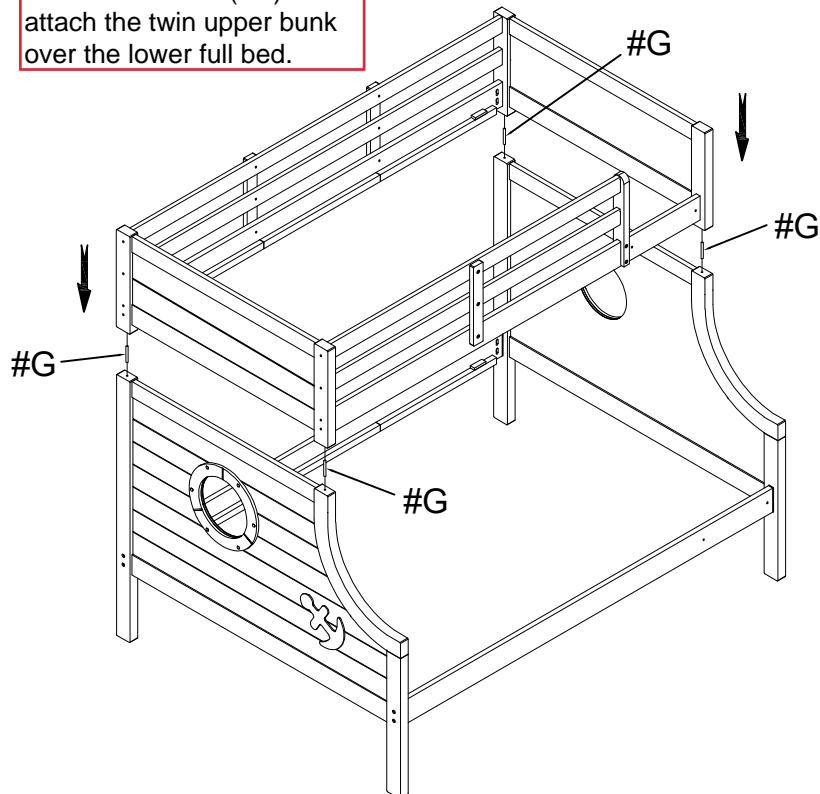
Align and insert the lower front and back side rail (#7,#8) to the left and right footboard frame (#3,#4). Secure by using Bolt (#A).



## 4

- Hardware #G x4pcs

Use metal dowel (#G) to attach the twin upper bunk over the lower full bed.



# ASSEMBLY INSTRUCTIONS

## 5

Part #13 x1pc

Part #14 x1pc

Part #15 x3pcs

Part #16 x1pc

Part #17 x1pc

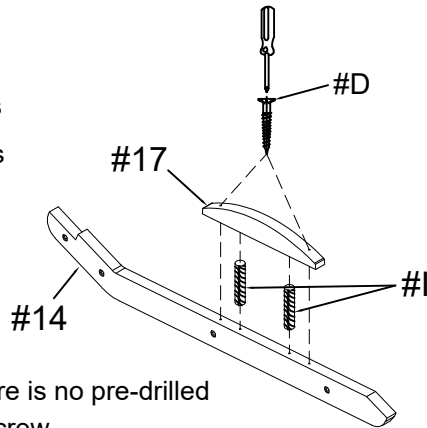
Hardware #B x8pcs

Hardware #D x2pcs

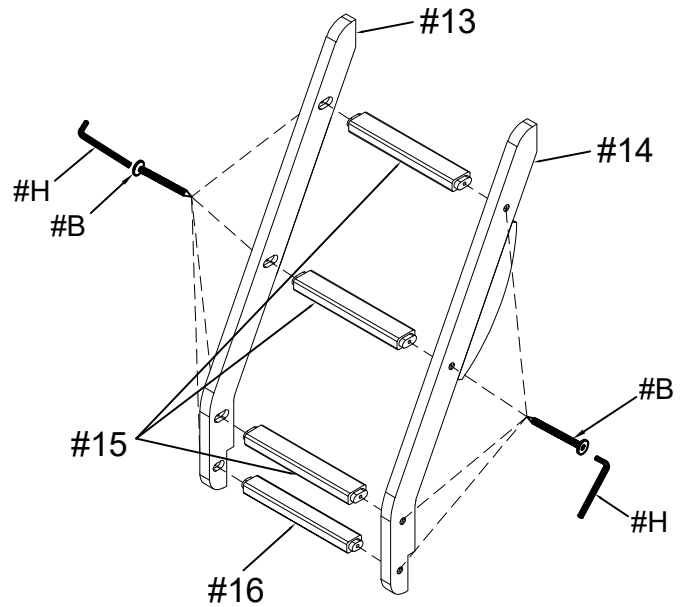
Hardware #I x2pcs

1. Use wood dowel (#I) to align the corner ladder (#17) to the ladder rail (#14) and secure by using Screw (#D).

2. Insert ladder rung (#15) and Bottom ladder rung (#16) into the right and left ladder rail (#13,#14). Then secure each rung by using Bolt (#B).



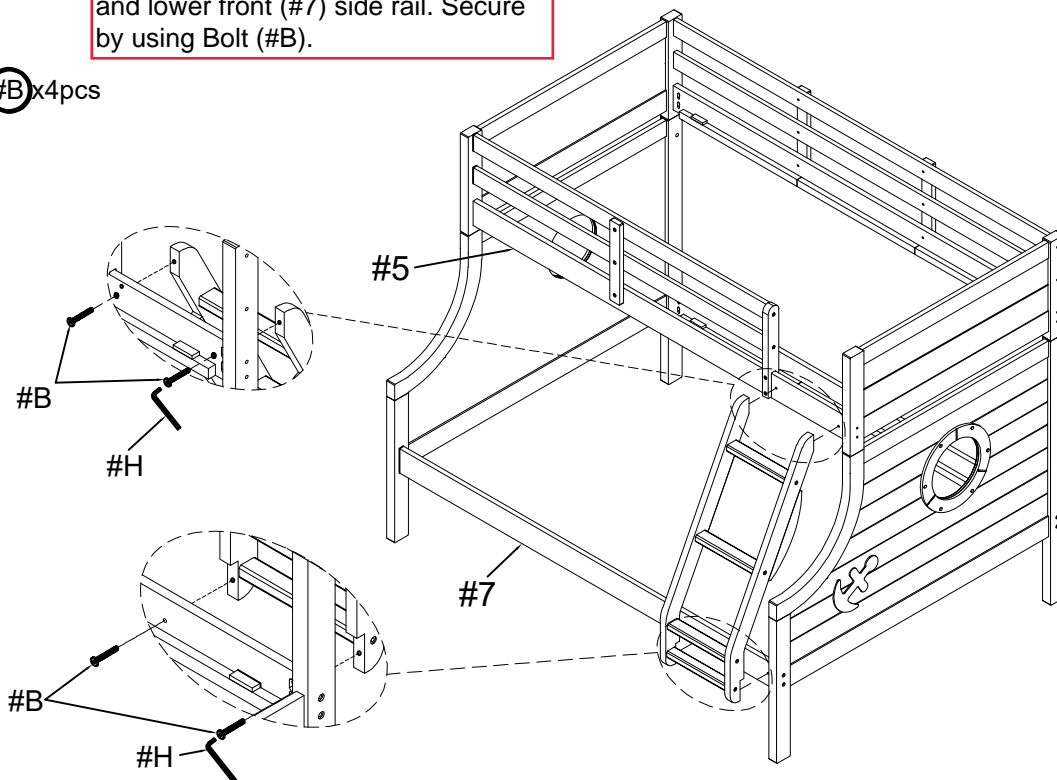
Note: There is no pre-drilled hole for Screw.



## 6

Align the ladder to the upper front (#5) and lower front (#7) side rail. Secure by using Bolt (#B).

Hardware #B x4pcs



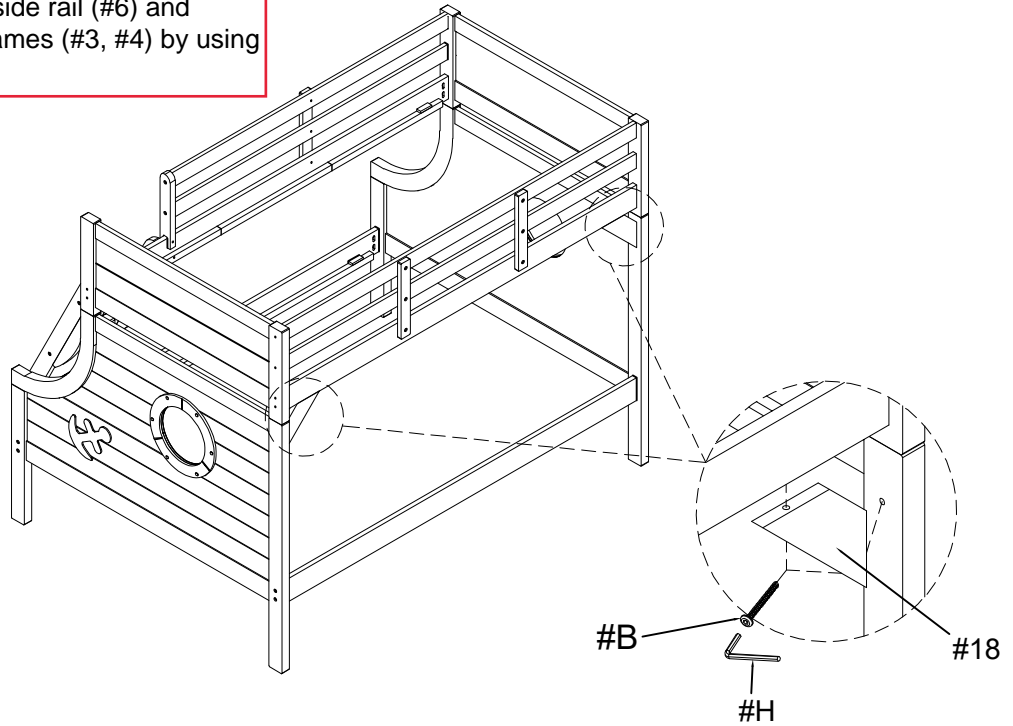
# ASSEMBLY INSTRUCTIONS

## 7

Attach the corner (#18) to the upper back side rail (#6) and footboard frames (#3, #4) by using Bolt (#B).

Part #18 x2pcs

Hardware #B x4pcs



## 8

Part #19 x1set

Part #20 x1set

Part #21 x4pcs

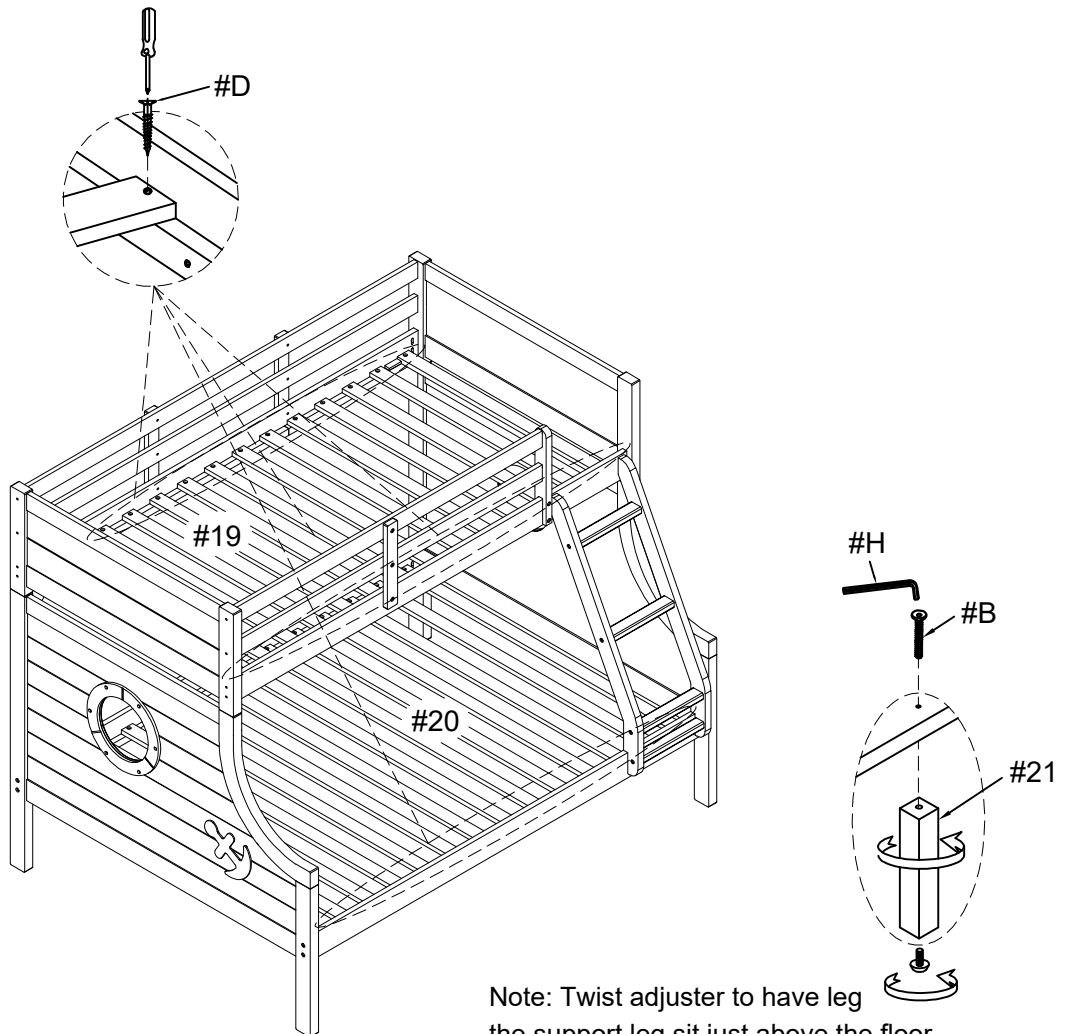
Hardware #D x56pcs

Hardware #B x4pcs

1. Spread Slats (#19) evenly over the twin side rails. Secure by using Screw (#D).

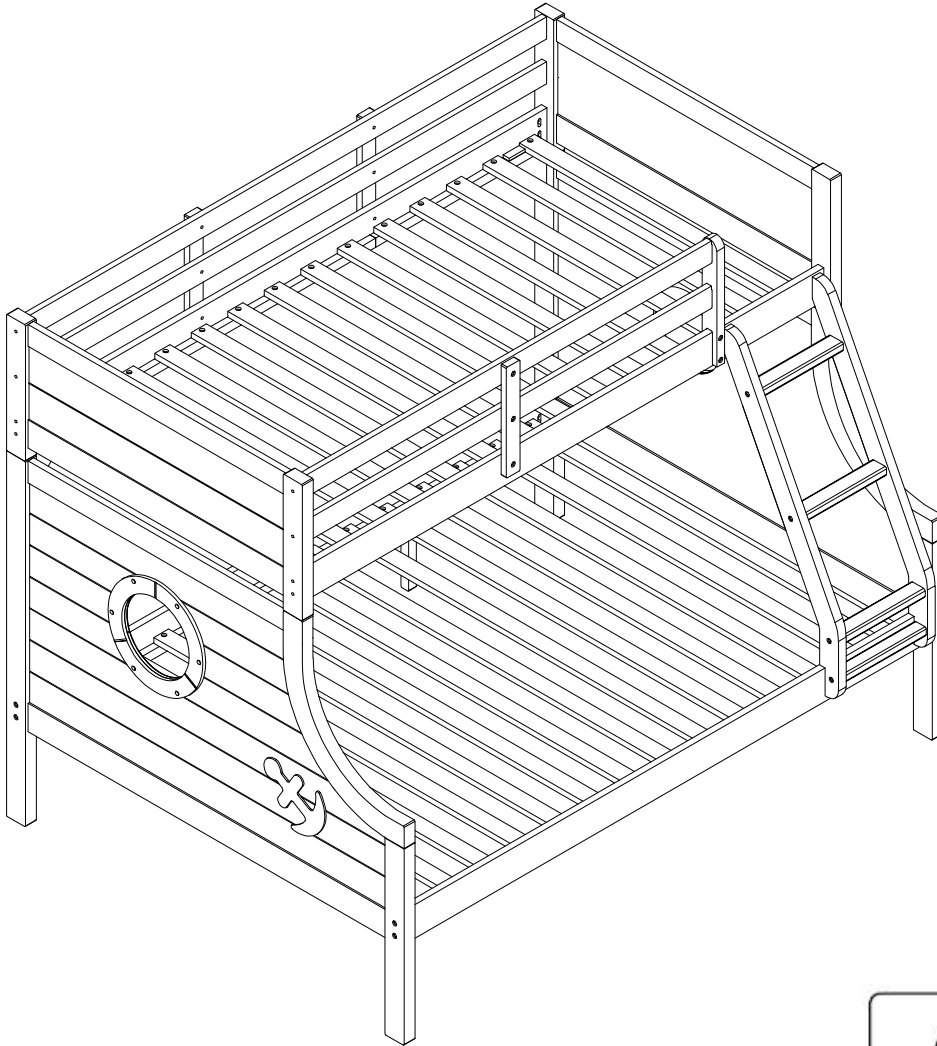
2. Attach the support leg (#21) to the full slat kit (#20).

3. Spread full slat set (#20) evenly over the bottom bunk rails and secure by using Screw (#D).



Note: Twist adjuster to have leg the support leg sit just above the floor.

# ASSEMBLY INSTRUCTIONS



## ASSEMBLY COMPLETED



Please ensure the furniture rests on an even and flat surface. If the product wobbles or feels loose, double-check all bolts and/or screws are properly tightened and secured.



### Keep this handy!

Please retain this instruction manual and any order-related information for future reference.



### Lift, don't drag!

To avoid damage to product please always LIFT the product when transporting or adjusting the placement.

This product is intended for RESIDENTIAL USE ONLY and not for commercial use.

## Safety Warnings for Bunk Beds

1. Read and follow the information on the WARNING labels shown on the end structure of the upper bunk and on the carton.
2. Do not remove warning labels from the bed.
3. Keep these instructions for future use.
4. **IMPORTANT:** Must use Bunkie mattress or Bunkie board. The proper sizes for the UPPER/LOWER TWIN-SIZE Bunkie mattress or Bunkie board should be 74" - 75" long and 37 ½" - 38 ½" wide with no more than 6" thickness and for the UPPER/LOWER FULL -SIZE should be 74"-75" long and 53" - 54" wide with no more than 6" thickness.
5. Surface of mattress must be at least 5 inches (127 mm) BELOW the upper edge of the guardrails.
6. The **MAXIMUM** weight capacity for the upper bunk is not to exceed 150 lbs.
7. Do not allow children under 6 years of age to use the upper bunk.
8. Periodically check and ensure that the guardrails, ladder, handle and other components are in their proper position, free from damage, and that all connectors are tightened and secured.
9. **DO NOT** allow horseplay, rough playing, or jumping on the beds and do not allow playing or hiding under the beds.
10. Always use the ladder for entering or leaving the upper bunk.
11. Do not use substitute parts. Contact the manufacturer or dealer for replacement parts.
12. Use of a nightlight may provide added safety precaution for a person using the upper bunk.
13. Always use the guardrails on both sides of the upper bunk.
14. If the bunk bed will be placed next to a wall, the guardrail that runs the full length of the bed should be placed against the wall to prevent entrapment between the bed and the wall.
15. The use of water or sleep flotation mattresses is prohibited.
16. No more than one person is allowed on the upper bunk at all times.



Objects such as, but not limited to, hanger, hooks, belts, bag, rope strings, etc. should not be hanged or used on or around the bunk bed.

### Replacement Parts:

Replacement parts may be obtained from your Furniture of America dealer.