

ASSEMBLY INSTRUCTIONS



Fine Furniture for every stage of life

Twin Bed

REVISION 0 : 10/08/2018
REVISION 1 : 01/02/2019
REVISION 2 : 07/05/2019

PAGE 1 OF 4

ASSEMBLY INSTRUCTIONS

ASSEMBLY TIPS:

1. Remove hardware from box and sort by size.
2. Please check to see that all hardware and parts are present prior to start of assembly.
3. Please follow attached instructions in the same sequence as numbered to assure fast & easy assembly.



WARNING!

1. Don't attempt to repair or modify parts that are broken or defective. Please contact the store immediately.
2. This product is for home use only and not intended for commercial establishments.



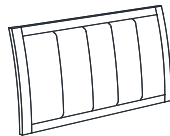
ASSEMBLY TIME

20 MINUTES

PARTS IDENTIFICATION

B1 (BOX 1)

A HEADBOARD PANEL



1PC

B RIGHT HEADBOARD LEG



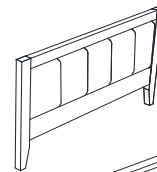
1PC

C LEFT HEADBOARD LEG



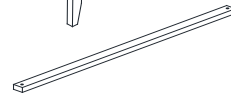
1PC

D FOOTBOARD



1PC

E BED SLAT



4PCS

B2 (BOX 2)

F BED RAIL



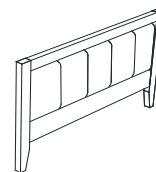
2PCS

HB 202091T(B1) FROM BOX 1 HEADBOARD COMPLETE



1PC

D 202091T(B1) FROM BOX 1 FOOTBOARD



1PC

HARDWARE IDENTIFICATION

Z-B1 (BOX 1) - HARDWARE PACK IS LOCATED IN 215861T (B1)

1 BOLT
(M6 x 35mm - BLK)



6PCS

2 LOCK WASHER
(1/4" - BLK)



6PCS

3 FLAT WASHER
(1/4"ID x 13mm - BLK)



6PCS

4 ALLEN WRENCH
(M4 x 60mm - BLK)



1PC

5 FLAT HEAD SCREW
(M4 x 32mm - RBW)



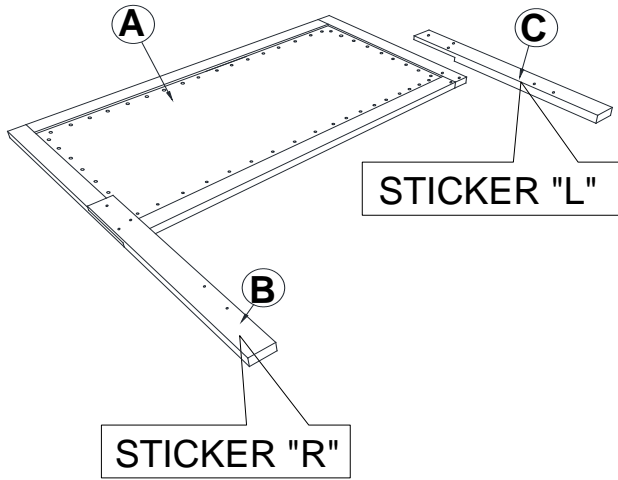
8PCS

NOTE:

Phillips head screw driver is required in the assembly process; however, manufacturer does not provide this item.

ASSEMBLY INSTRUCTIONS

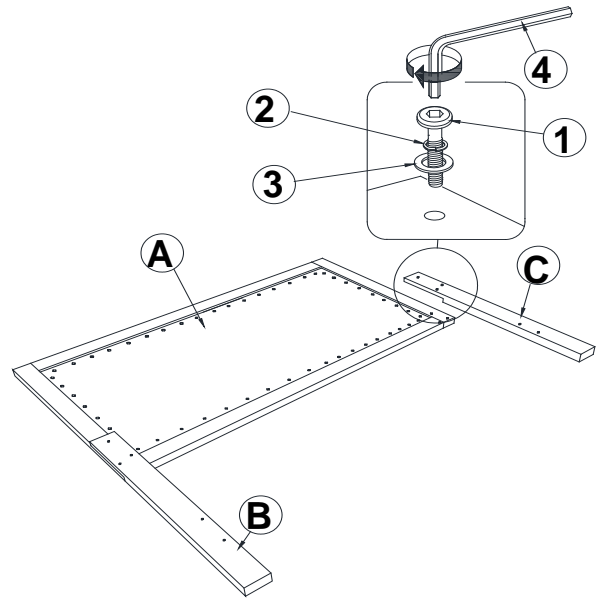
STEP 1



BACK VIEW

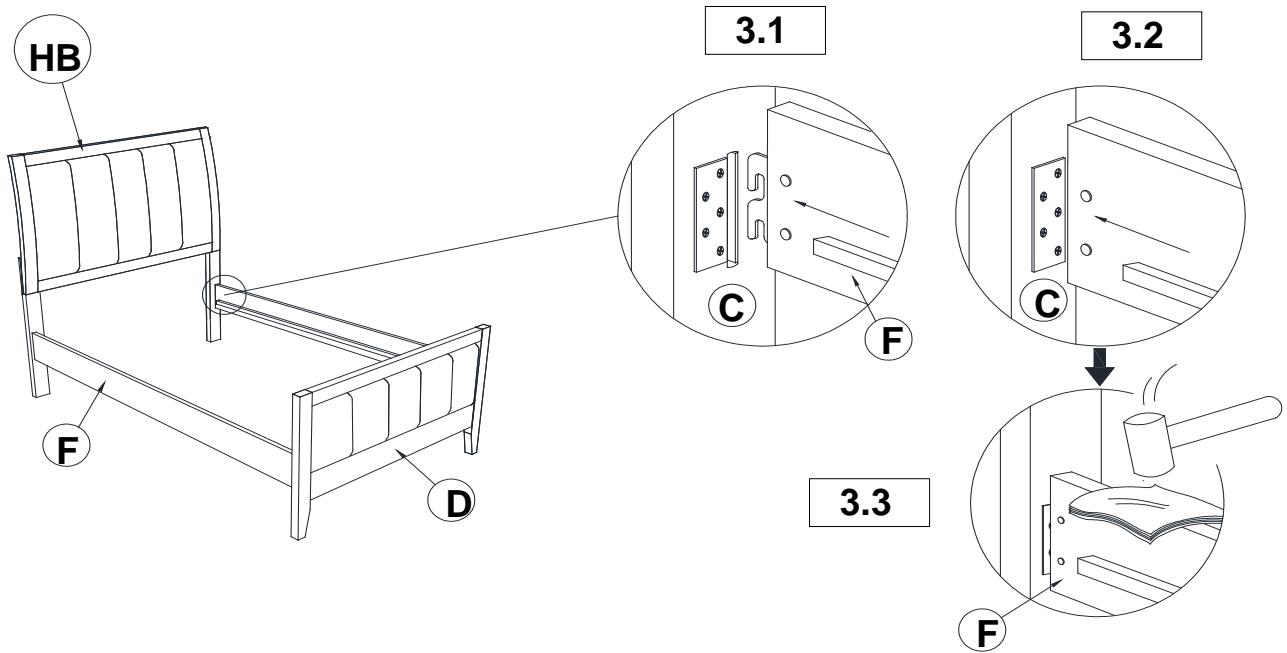
Note : Please take note of the marking sticker (L&R) on the headboard legs.

STEP 2



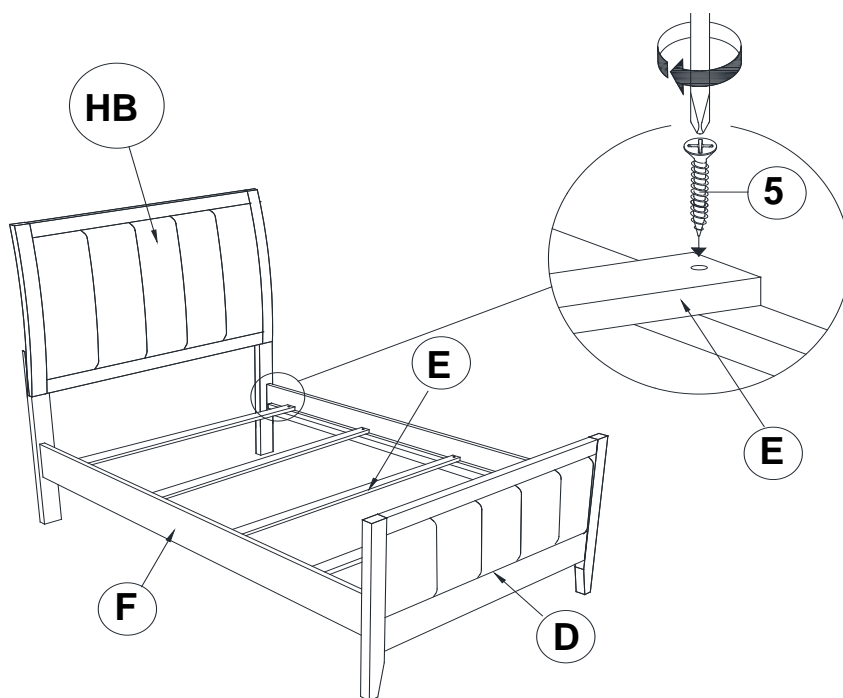
BACK VIEW

STEP 3

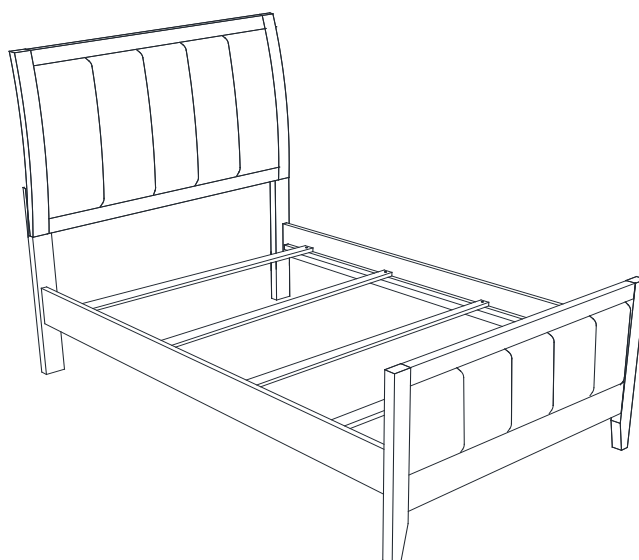


ASSEMBLY INSTRUCTIONS

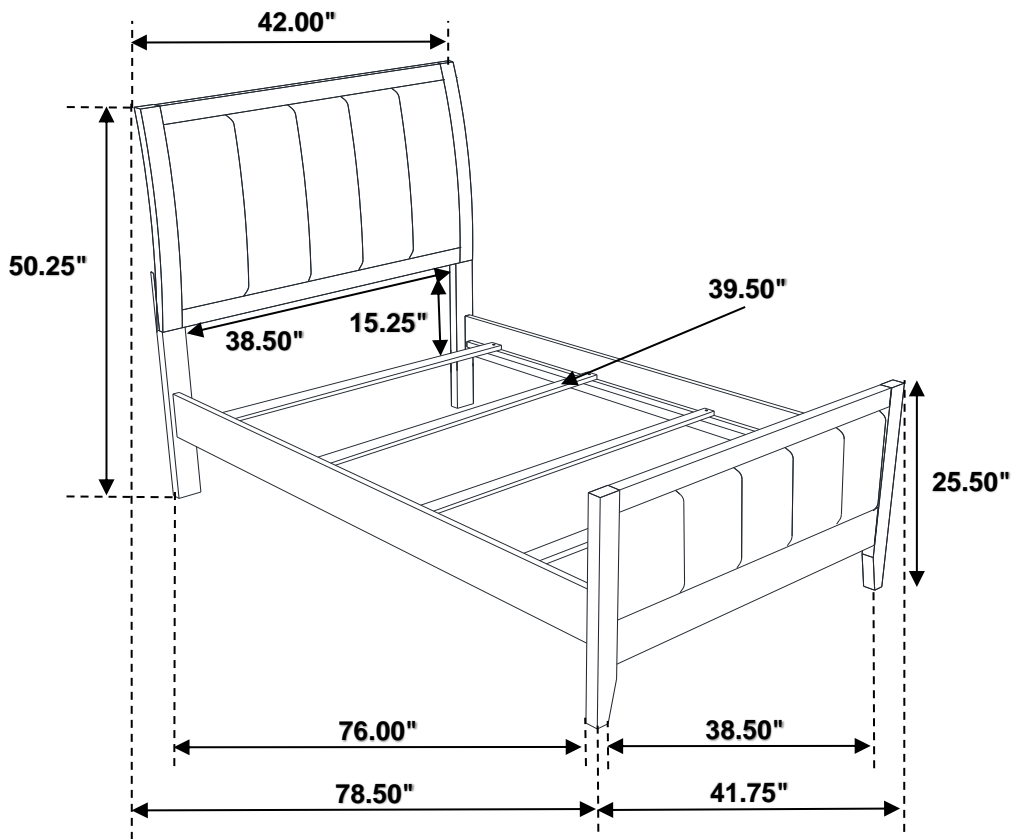
STEP 4



STEP 5 COMPLETE



Inner Size : 39.50"W x 76.00"D



Note : Dimension tolerance $\pm 5\%$

ASSEMBLY INSTRUCTIONS



Fine Furniture for every stage of life

Mirror

REVISION 0 : 11/26/2013
REVISION 1 : 09/07/2018
REVISION 2 : 01/02/2019
REVISION 3 : 07/05/2019

PAGE 1 OF 4

ASSEMBLY INSTRUCTIONS

ASSEMBLY TIPS:

1. Remove hardware from box and sort by size.
2. Please check to see that all hardware and parts are present prior to start of assembly.
3. Please follow attached instructions in the same sequence as numbered to assure fast & easy assembly.



WARNING!

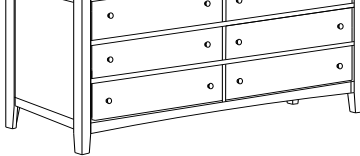
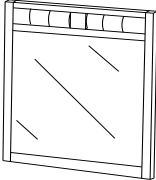

1. Don't attempt to repair or modify parts that are broken or defective. Please contact the store immediately.
2. This product is for home use only and not intended for commercial establishments.



ASSEMBLY TIME

10 MINUTES

PARTS IDENTIFICATION

- | | | | |
|---|---|--|-------------|
| A | DRESSER FROM BOX ITEM # 202093 |  | 1PC |
| B | MIRROR |  | 1PC |
| C | MIRROR SUPPORT (PACK WITH DRESSER) |  | 2PCS |

HARDWARE IDENTIFICATION

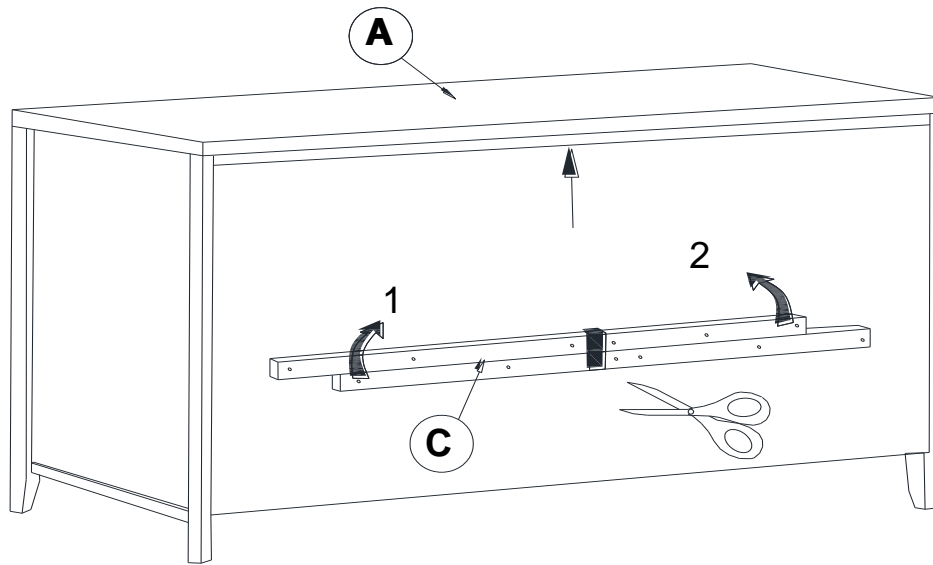
- | | | | |
|---|--|--|--------------|
| 1 | FLAT HEAD SCREW (M4 x 32mm - RBW) |  | 10PCS |
|---|--|--|--------------|

NOTE:

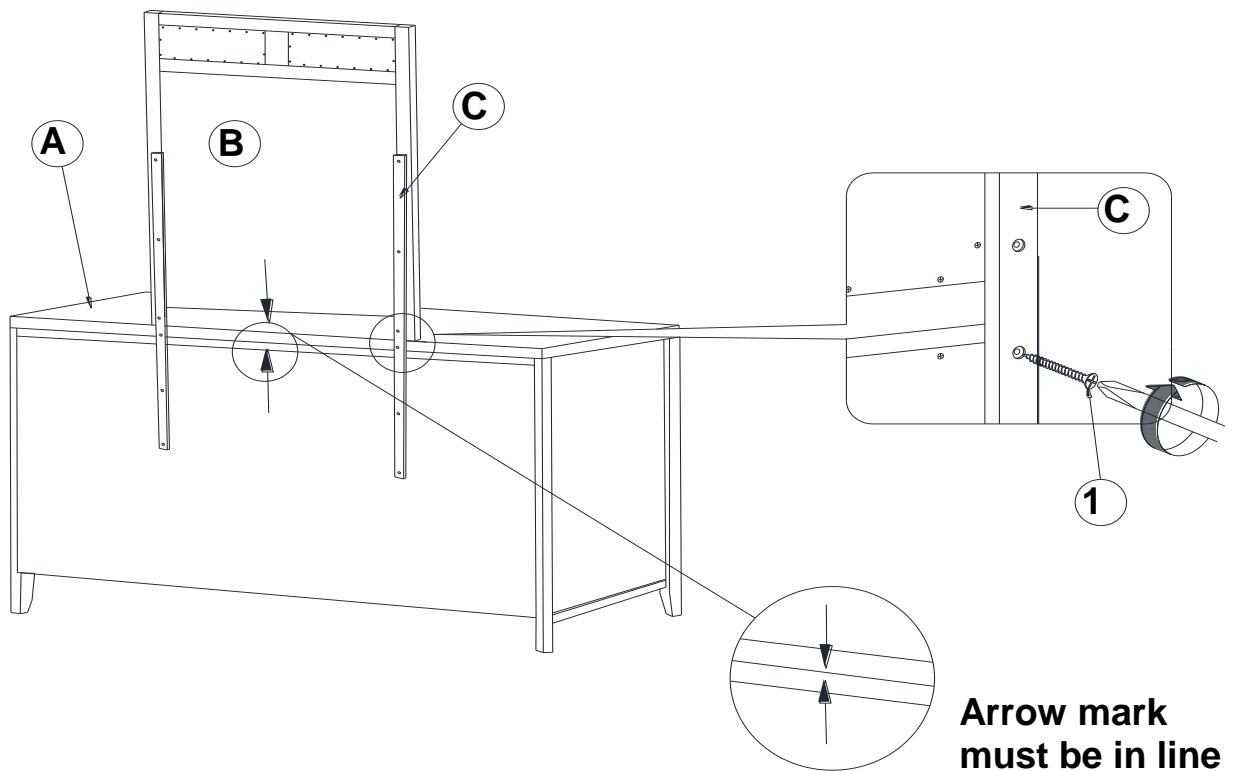
Phillips head screw driver is required in the assembly process; however, manufacturer does not provide this item.

ASSEMBLY INSTRUCTIONS

STEP 1



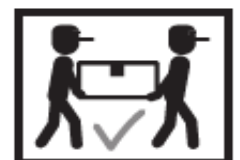
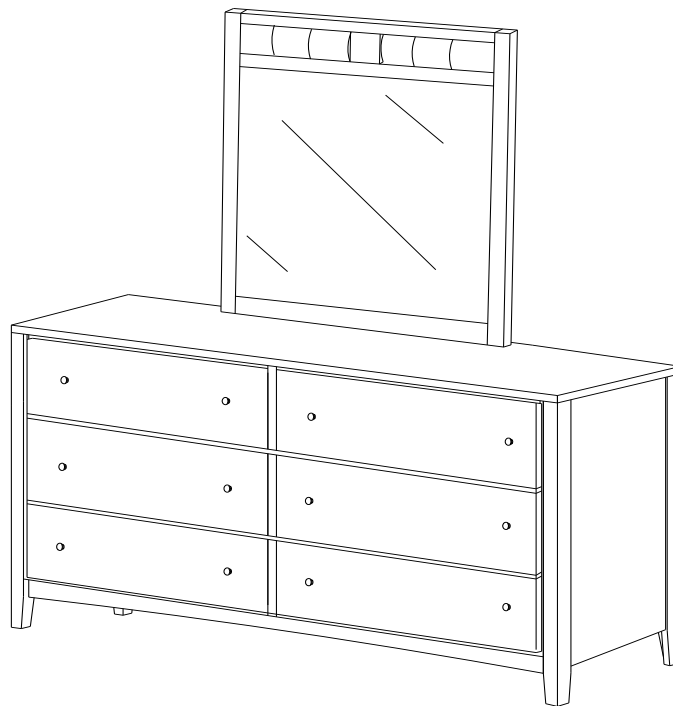
STEP 2

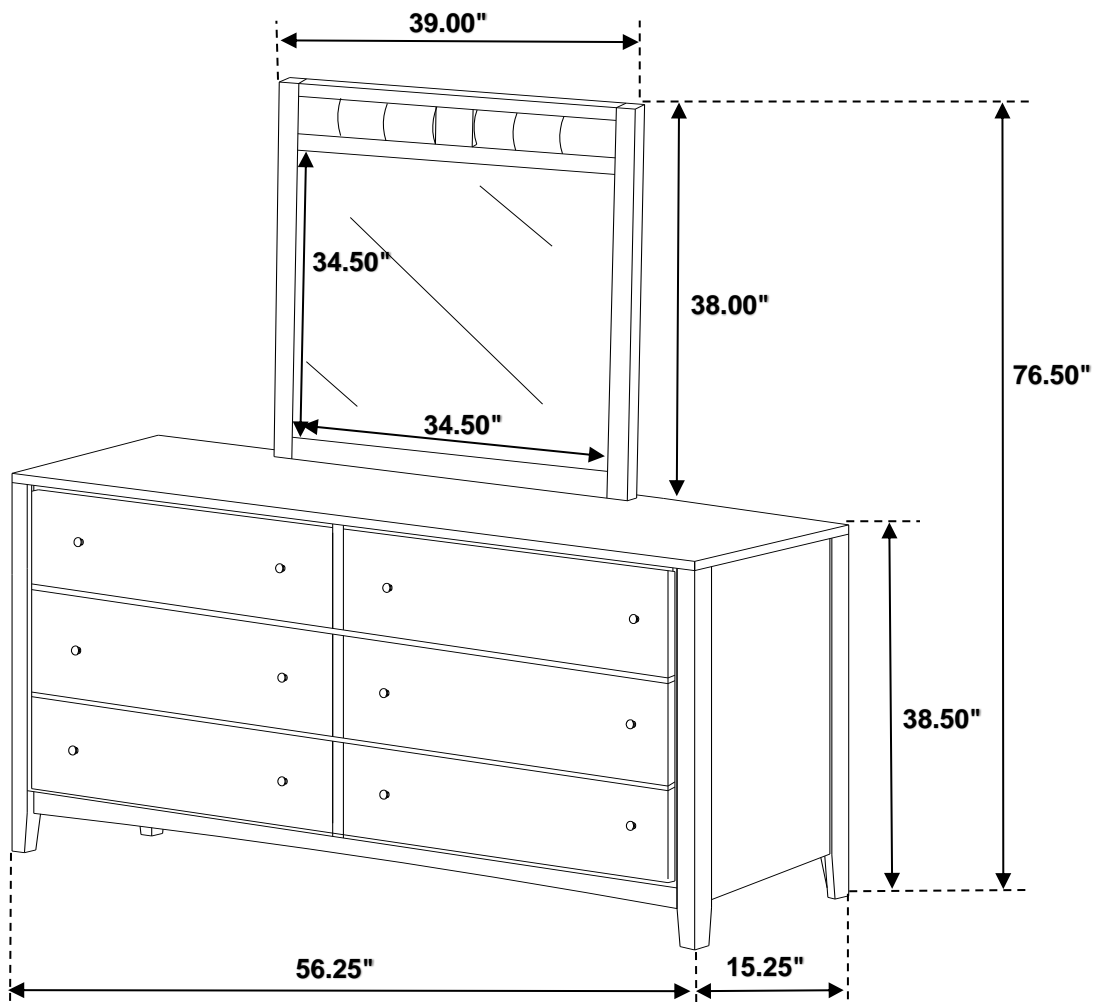


ASSEMBLY INSTRUCTIONS

STEP 3

COMPLETE





Note : Dimension tolerance $\pm 5\%$