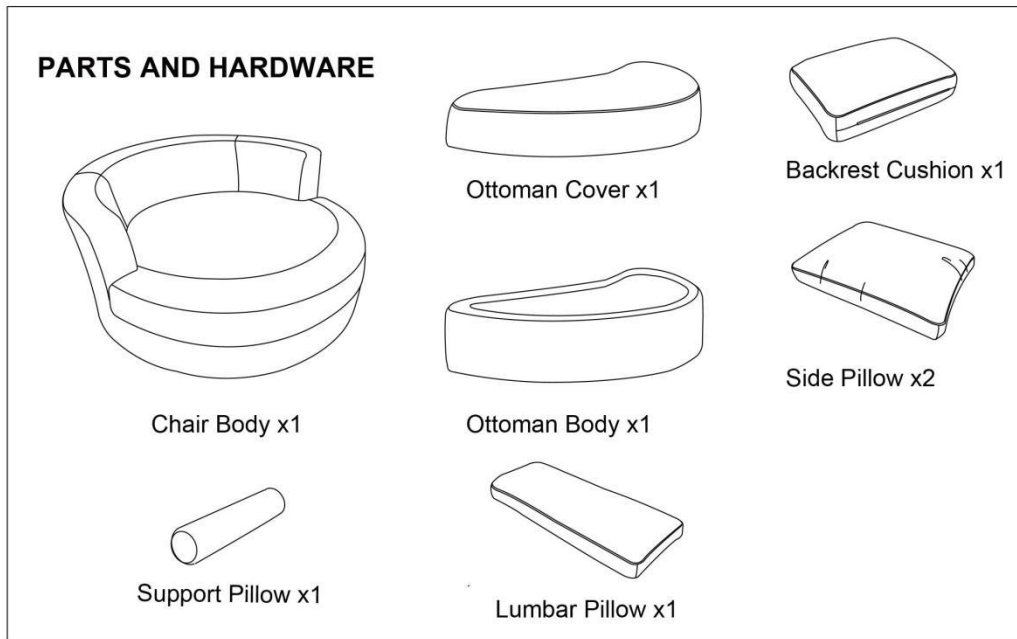


## PARTS AND HARDWARE

Avoid using sharp objects such as a knife to cut open packing as you may accidentally damage the upholstery



## ASSEMBLY INSTRUCTIONS

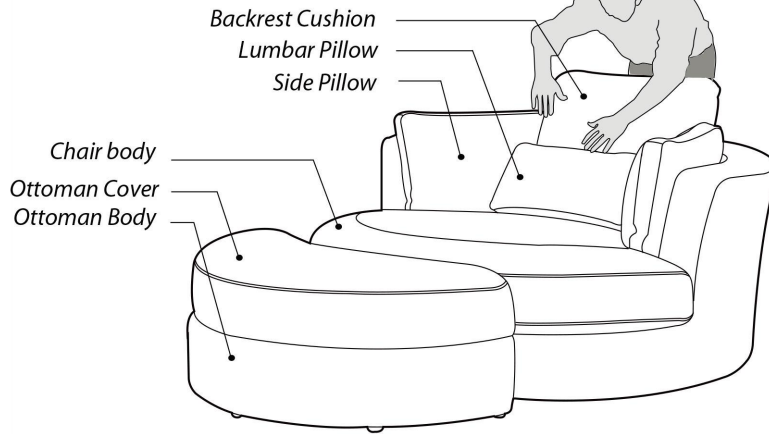
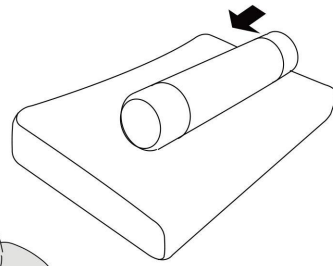
**CAUTIONS:** At least two adults are required to safely complete performing this task.  
Other lifting attempts may risk back injury due to large and heavy part(s).



Carefully place ottoman body on a flat clean surface with bottom facing up.

Attach the backrest cushion and all pillows to the chair in the correct orientation as shown below.

Insert the support pillow at the back of the backrest cushion



## OPERATING YOUR UNIT

Round chair is design with swivel function and Ottoman with storage function

