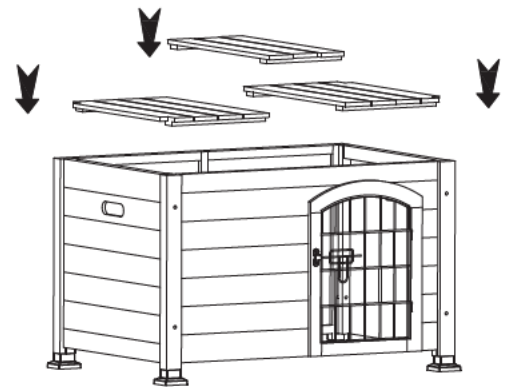
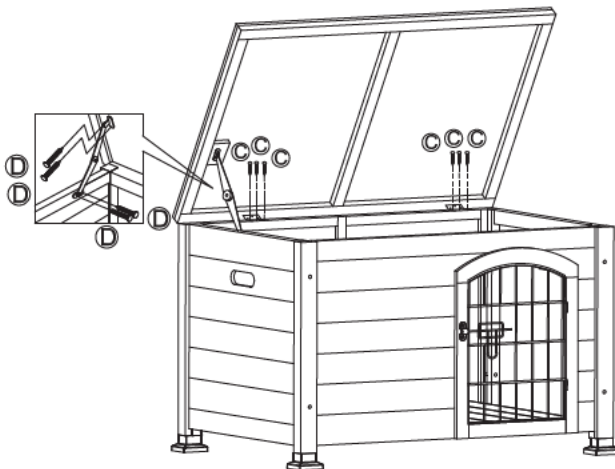


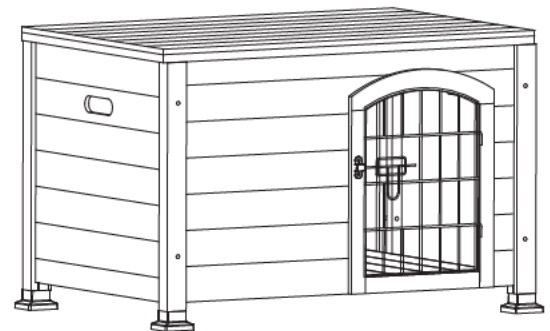
Step1: Connect the Front Panel and Back Panel to the two Side Panels using (A) bolts and nuts. Assembling Footstands using B bolts.



Step2: Put the Left Floor Panel, Right Floor Panel and Middle Panel into the house.



Step3: Attach Roof to assembled house using (C) screws and then attach Locking Arm to assembled Roof using (D) screws.



Step4: Finish.