

TWIN BED ASSEMBLY INSTRUCTION

Thank you for purchasing this quality product. Be sure to check all packing material carefully for small parts which may have come loose inside the carton during shipment. Separate, identify and count all parts and hardware. Compare with the parts list to be sure all parts are present.

IMPORTANT : PLEASE READ INSTRUCTION BEFORE STARTING THE ASSEMBLY.

"DO NOT TIGHTEN SCREWS UNTIL COMPLETELY ASSEMBLED"

"DO NOT OVERTIGHT ANY HARDWARE"

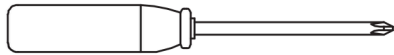
WARNING : SMALL PARTS AND HARDWARE NOT FOR CHILDREN UNDER 3 YEARS. ADULT ASSEMBLY REQUIRED.

TABLE OF CONTENTS

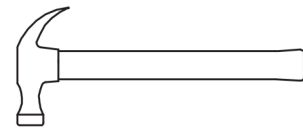
HARDWARES LIST	PAGE 2
PARTS LIST	PAGE 3 - 4
PARTS' LOCATION	PAGE 5
ASSEMBLY STEPS	PAGE 6 - 13
ASSEMBLY COMPLETED	PAGE 14

ASSEMBLY TOOLS REQUIRED

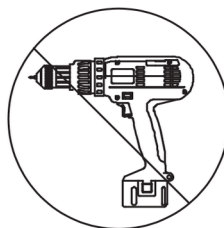
1. Screwdriver (not provide)



2. Hammer (not provide)

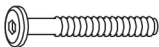









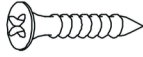


Skip the power drill this time.



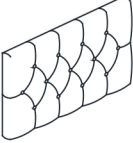
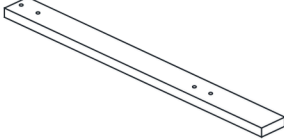
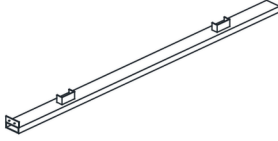
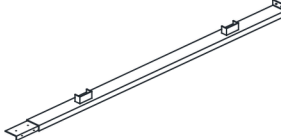
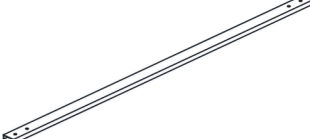
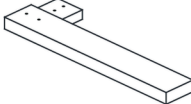
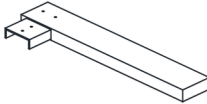
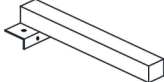
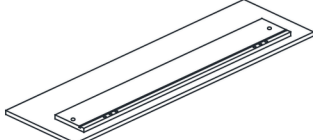
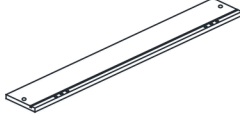

TWIN BED ASSEMBLY INSTRUCTION

HARDWARES LIST

ITEM	DESCRIPTION	DRAWING	QTY
A	JCBC SCREW M8 x 50MM		4 PCS
B	JCBC SCREW M6 x 15MM		20 PCS
C	JCBC SCREW M6 x 20MM		8 PCS
D	SPRING WASHER M8 x 13MM		4 PCS
E	FLAT WASHER M8 x 22MM		4 PCS
F	M4 ALLEN KEY (100MM)		1 PC
G	M5 ALLEN KEY (65MM)		1 PC
FOR INNER BOX PACKING			
H	WOOD DOWEL M6 x 30MM		64 PCS
I	MINIFIX CAM LOCK		32 PCS
J	MINIFIX BOLT		32 PCS
K	CSK C/B SCREW (M4 x 16MM)		64 PCS


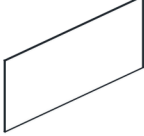

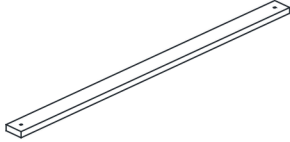


TWIN BED ASSEMBLY INSTRUCTION

PARTS LIST

ITEM	DESCRIPTION	DRAWING	QTY
1	HEADBOARD		1 PC
2	HEADBOARD LEG		2PCS
5	SIDE RAIL (L)		2PCS
6	SIDE RAIL (R)		2PCS
9	METAL TUBE		1 PC
10	FOOTBOARD LEG (L)		1 PC
11	FOOTBOARD LEG (R)		1 PC
12	SIDE RAIL LEG		2 PCS
13	DRAWER FRONT PANEL		4 PCS
14	DRAWER BACK PANEL		4 PCS
15	DRAWER SIDE PANEL		8 PCS

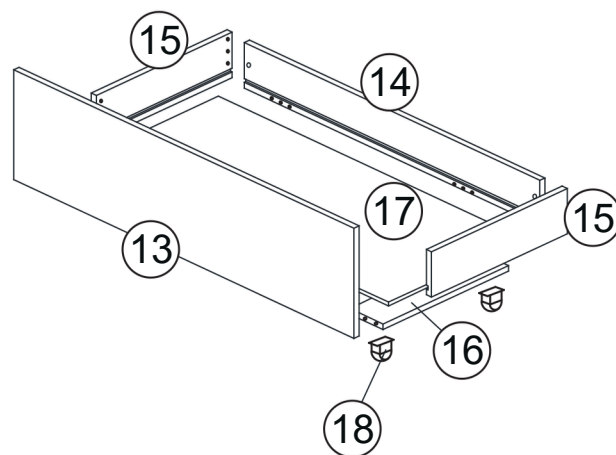
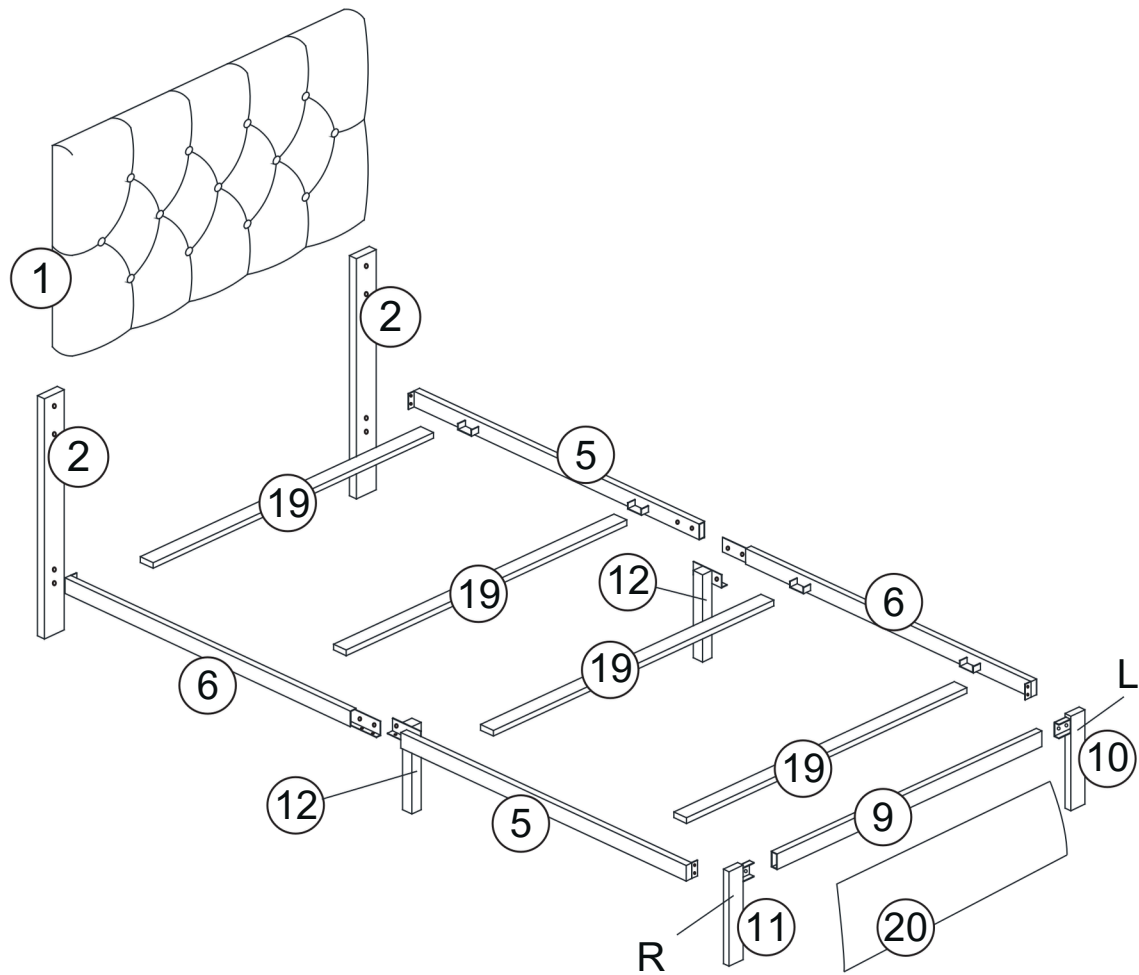
TWIN BED ASSEMBLY INSTRUCTION

PARTS LIST

ITEM	DESCRIPTION	DRAWING	QTY
16	DRAWER SUPPORT		8 PCS
17	DRAWER PANEL		4 PCS
18	CASTOR		16 PCS
19	SLAT		4 PCS
20	FOOTBOARD COVER		1 PC
24	SELF-ADHESIVE VELCRO TAPE		1 PC

TWIN BED ASSEMBLY INSTRUCTION

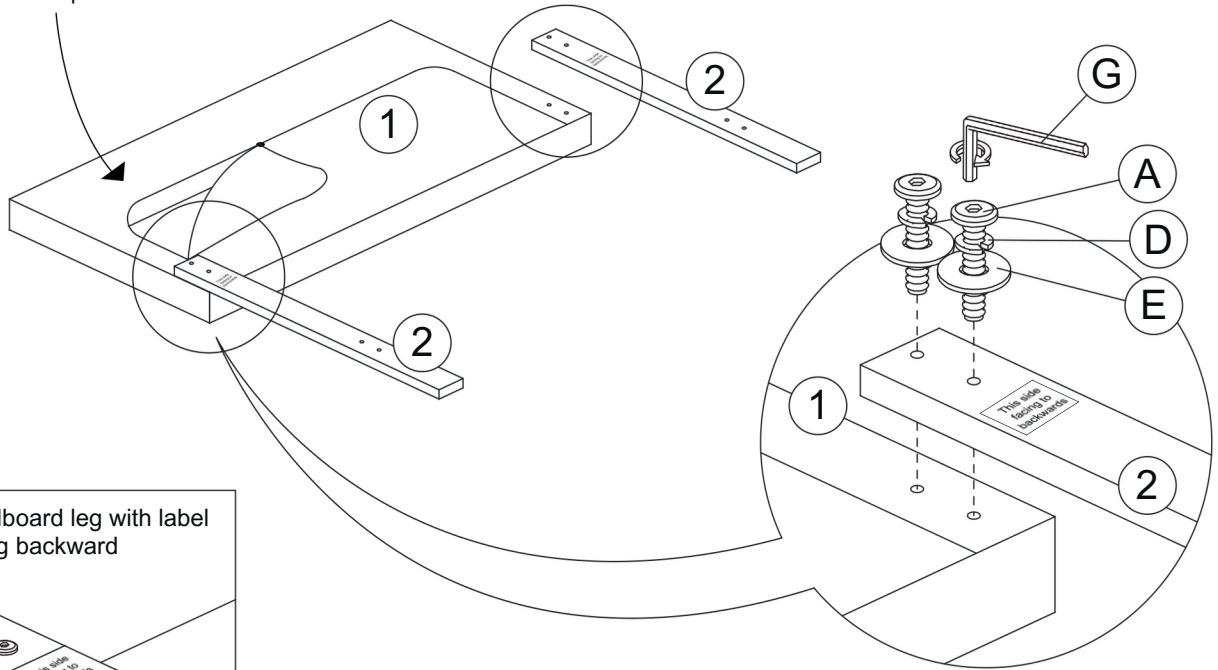
PARTS ' LOCATION



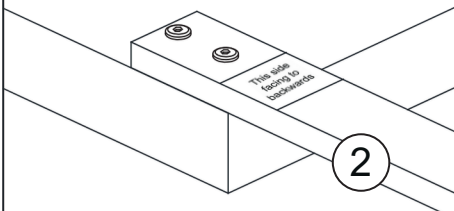
TWIN BED ASSEMBLY INSTRUCTION

STEP 1

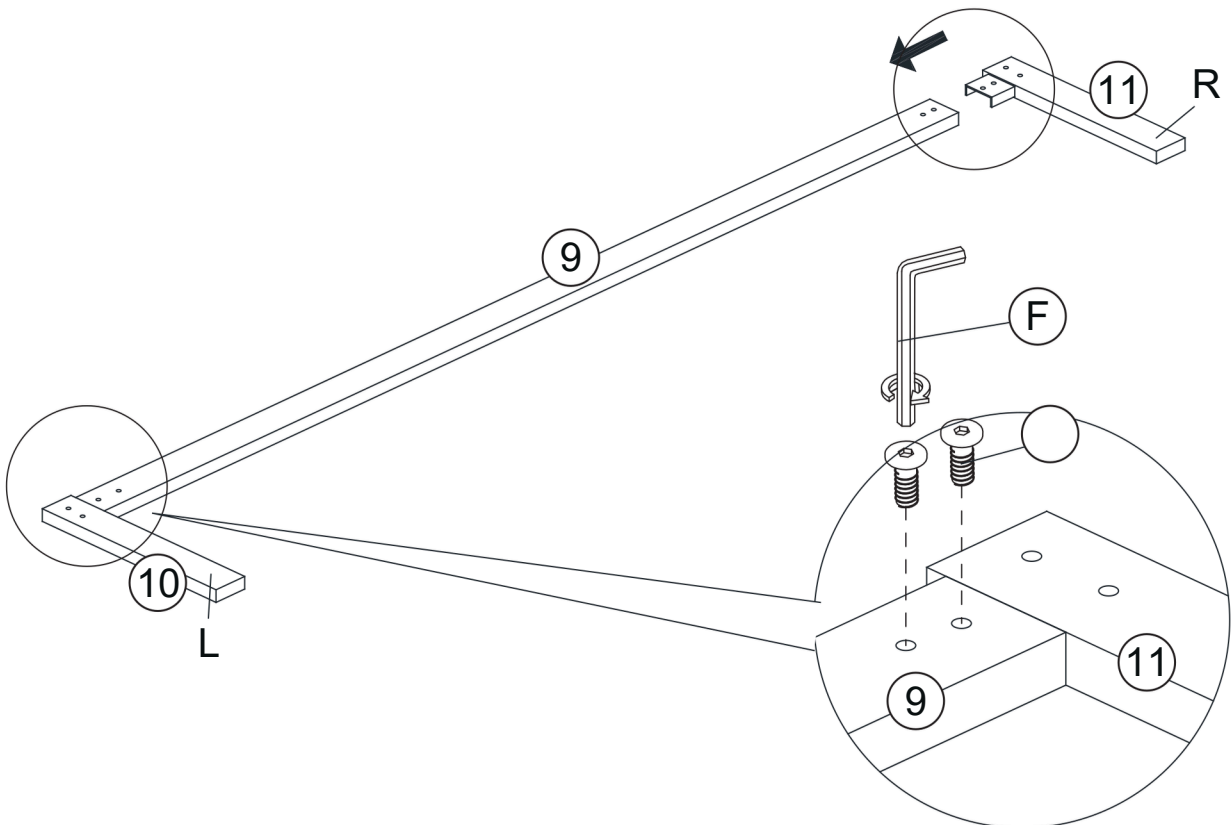
Open zipper to get all other parts.



REMARK : Headboard leg with label facing backward

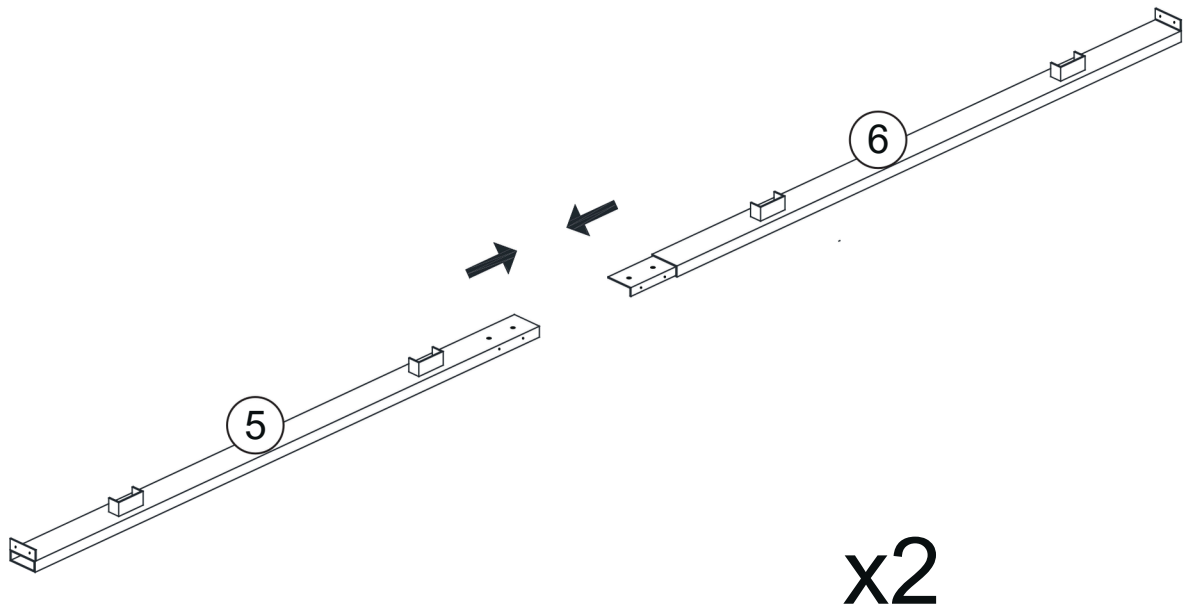


STEP 2

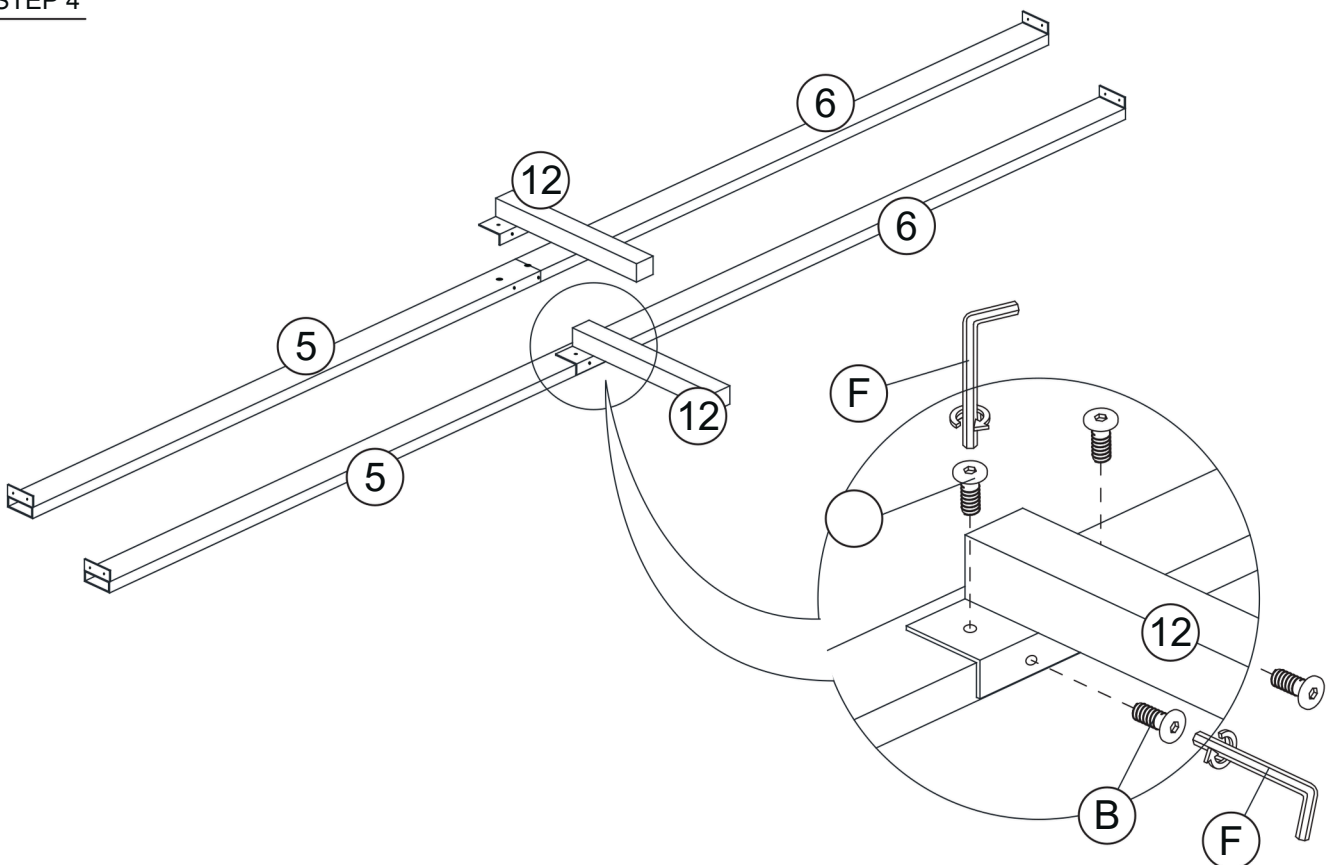


TWIN BED ASSEMBLY INSTRUCTION

STEP 3

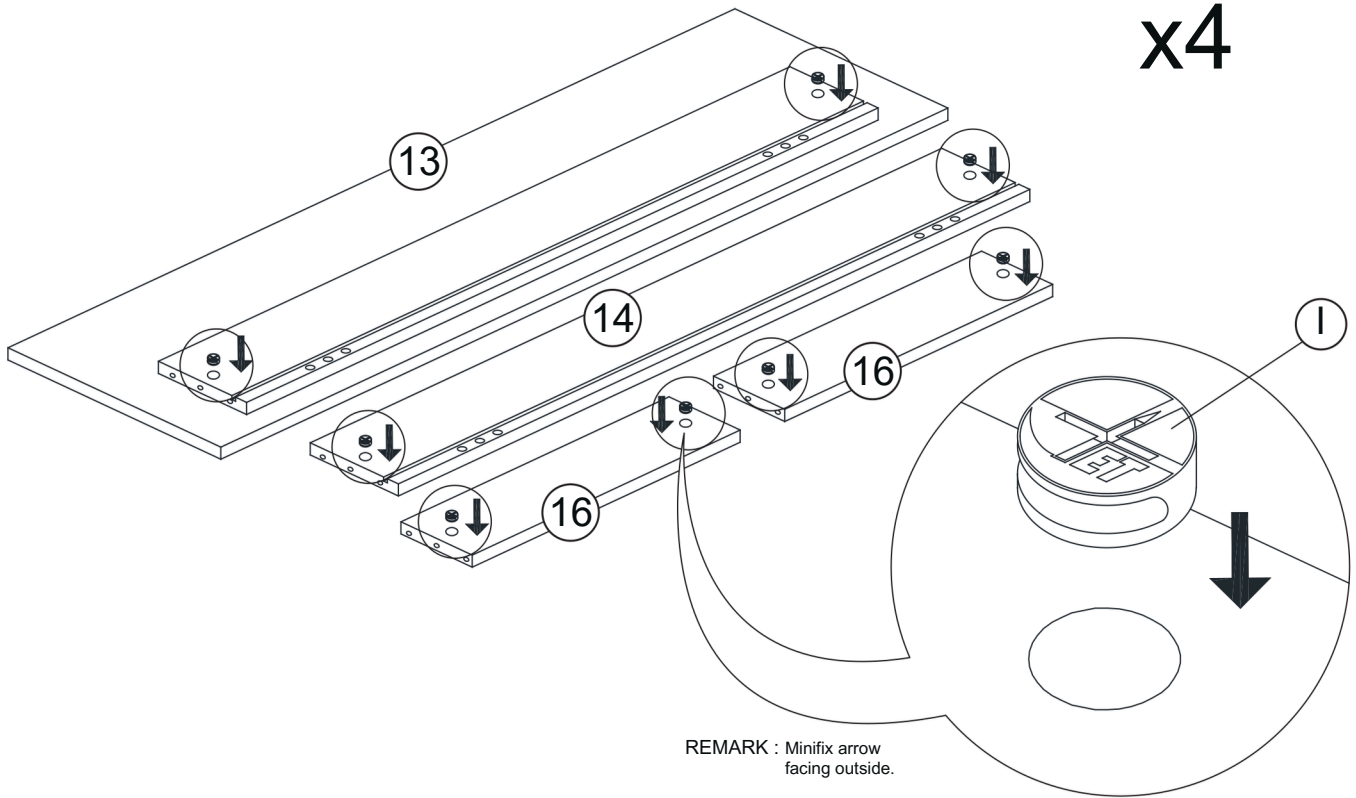


STEP 4

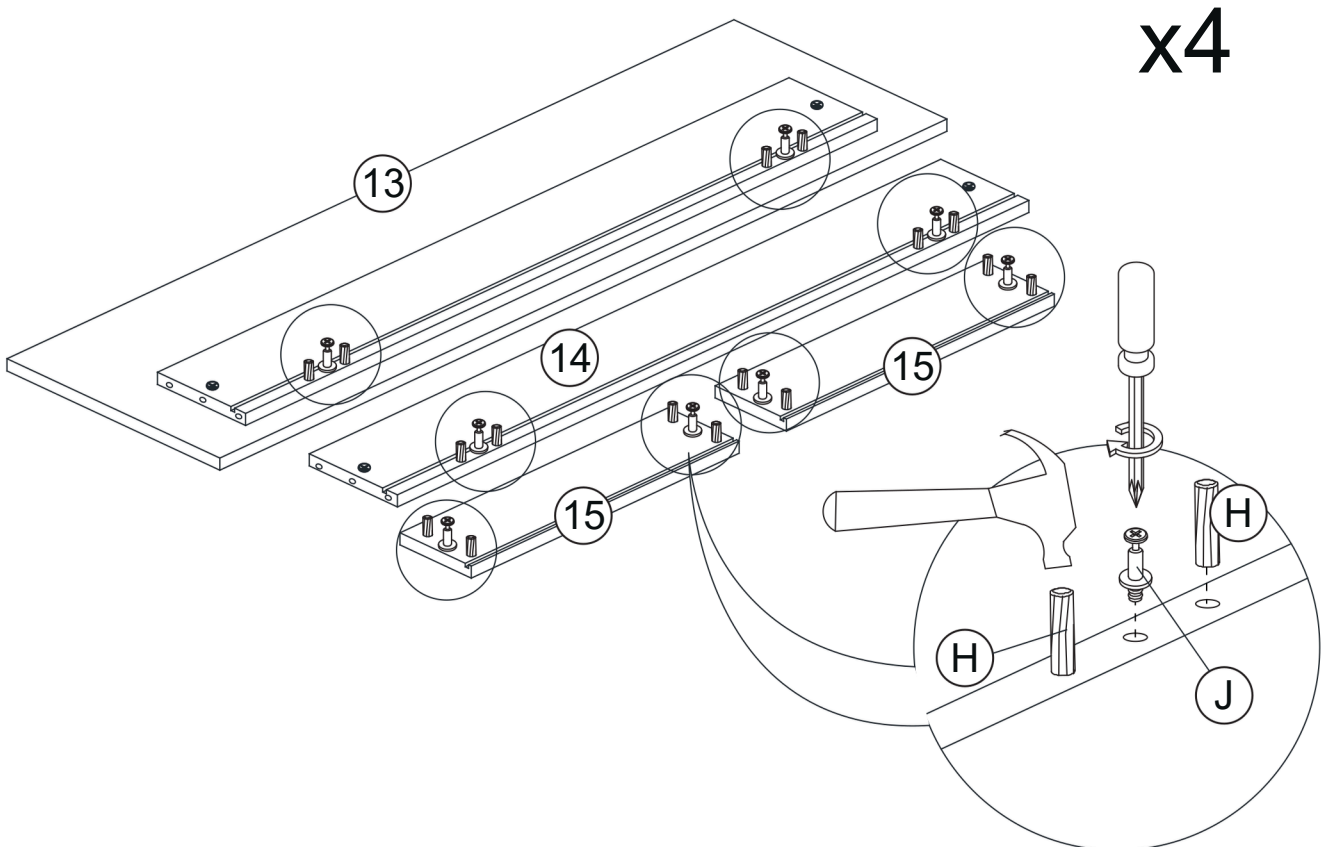


TWIN BED ASSEMBLY INSTRUCTION

STEP 7



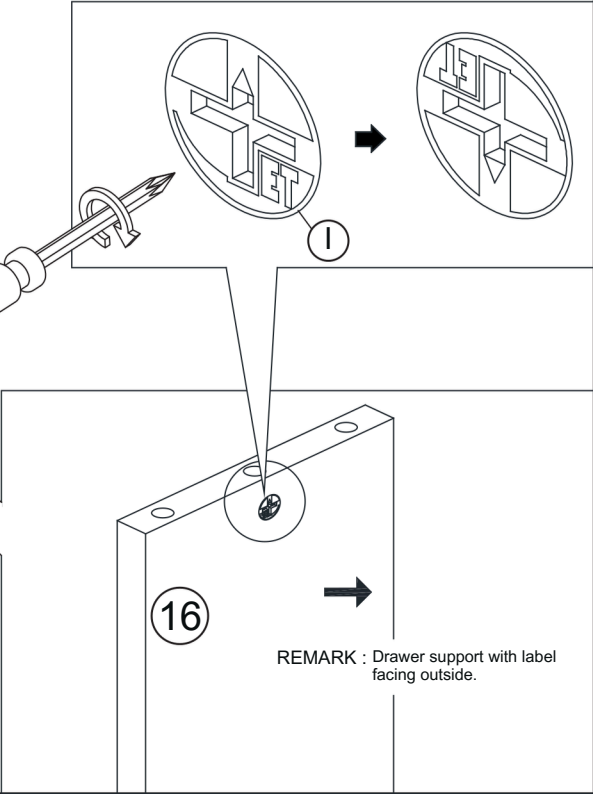
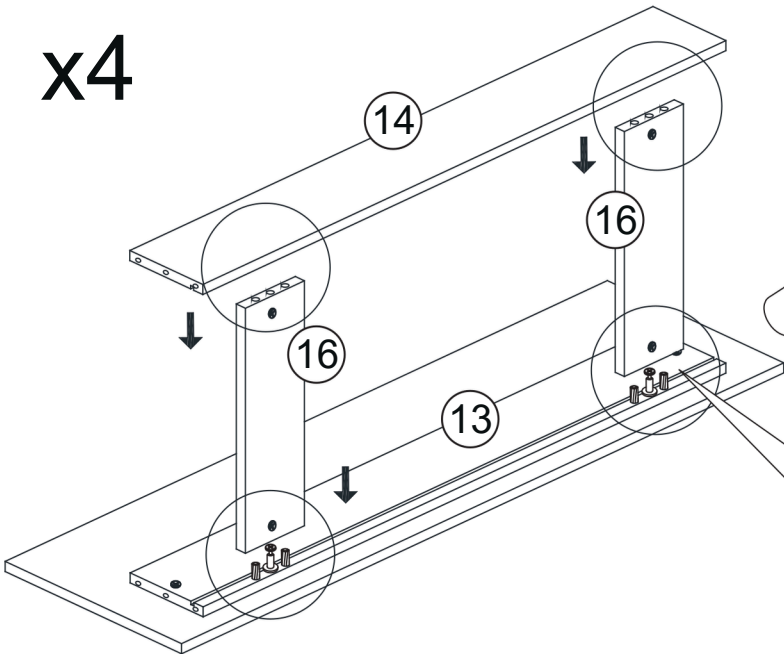
STEP 8



TWIN BED ASSEMBLY INSTRUCTION

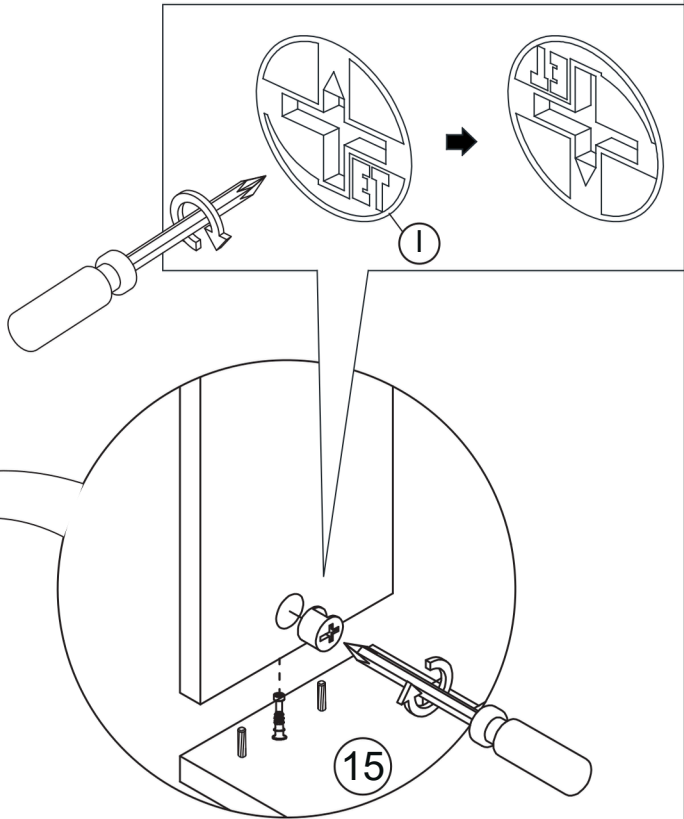
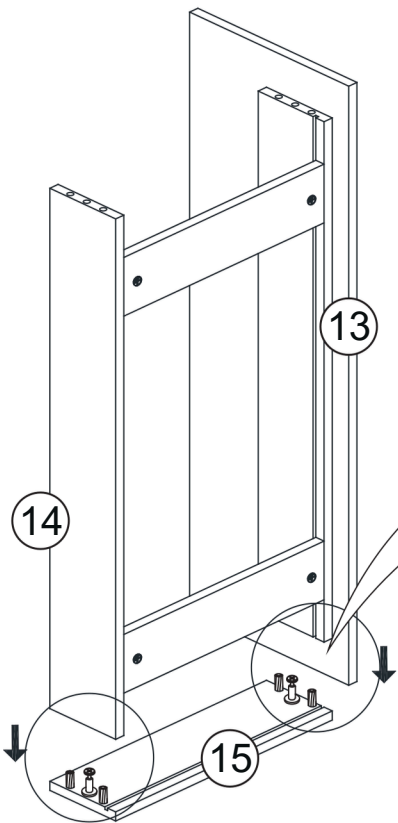
STEP 9

x4



STEP 10

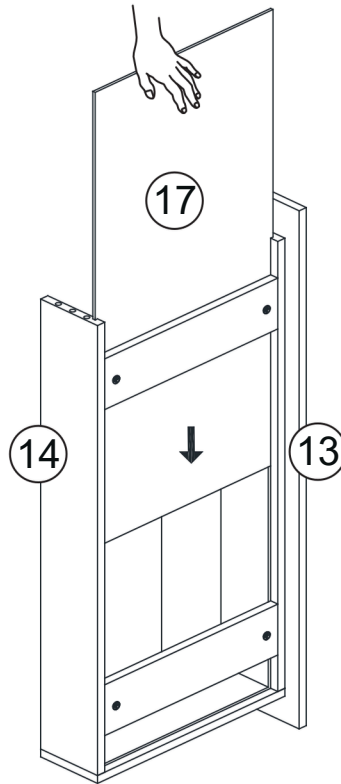
x4



TWIN BED ASSEMBLY INSTRUCTION

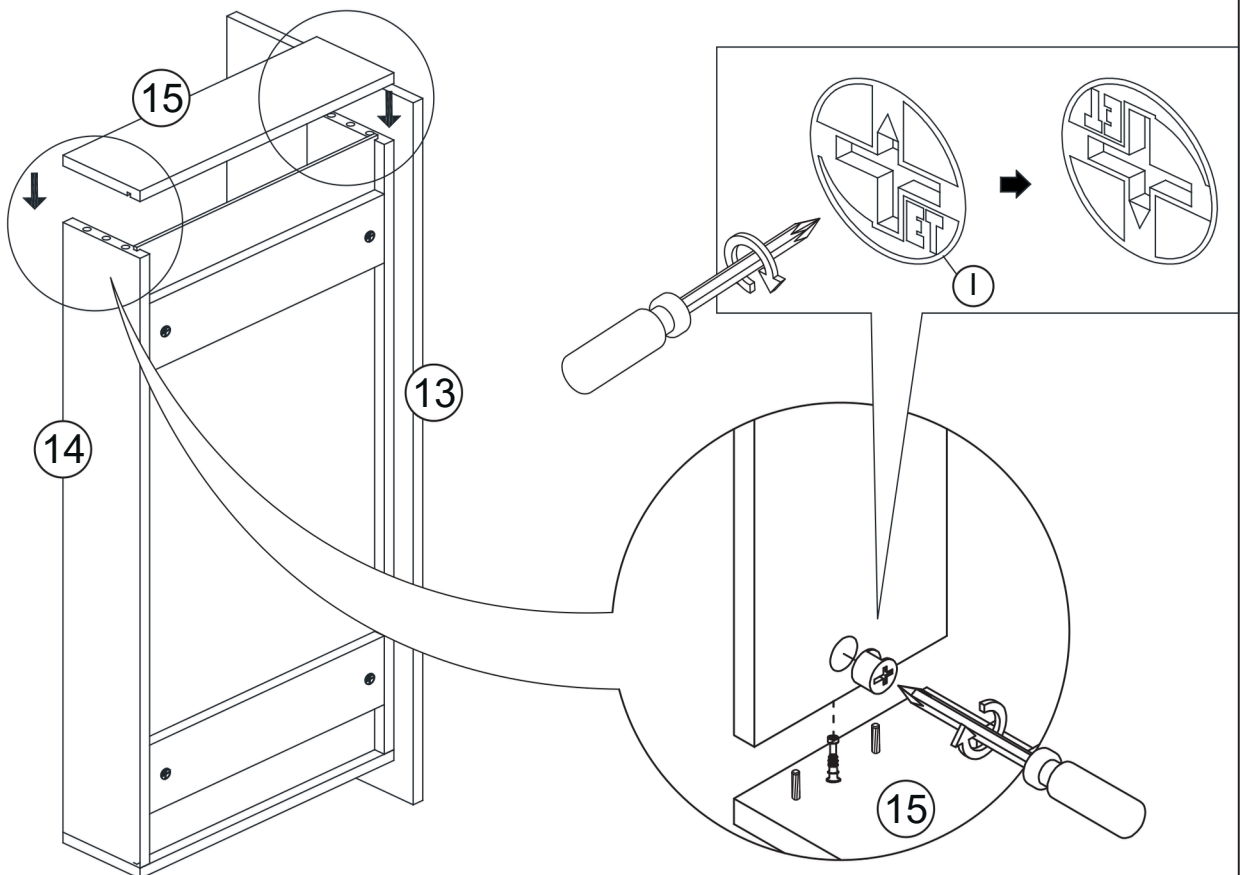
STEP 11

x4



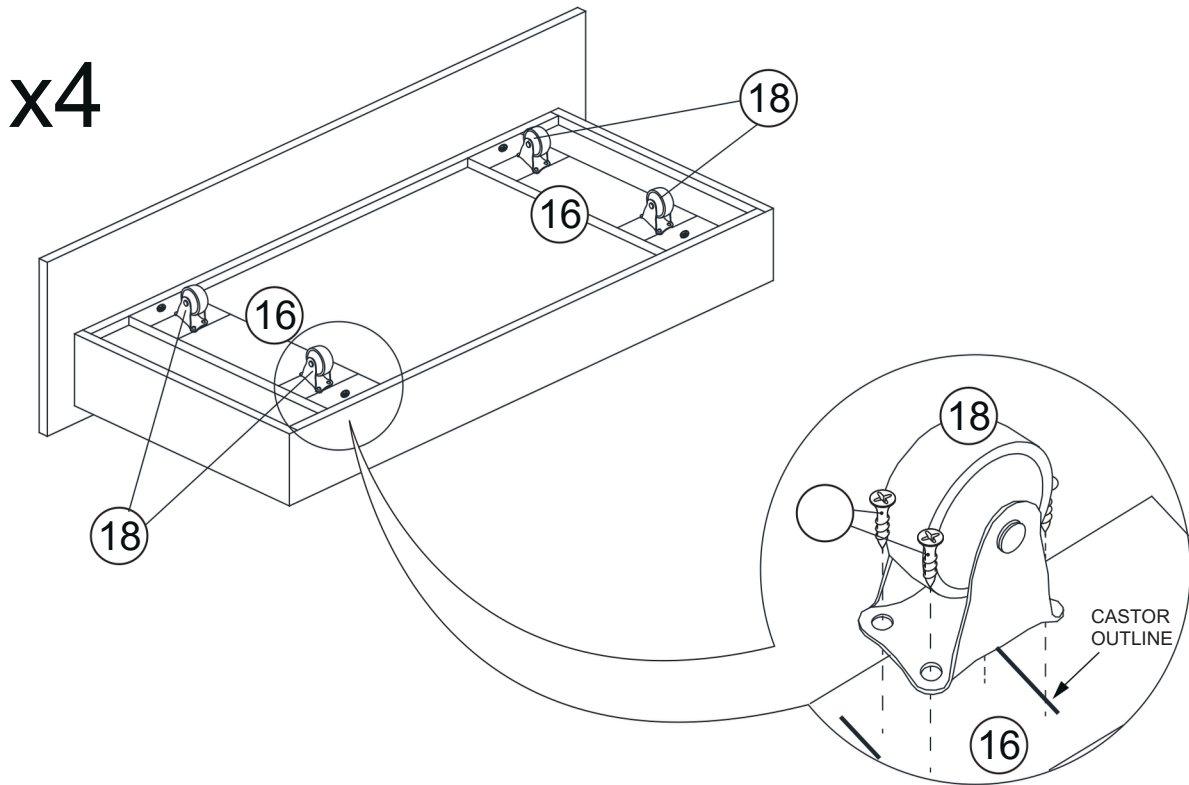
STEP 12

x4

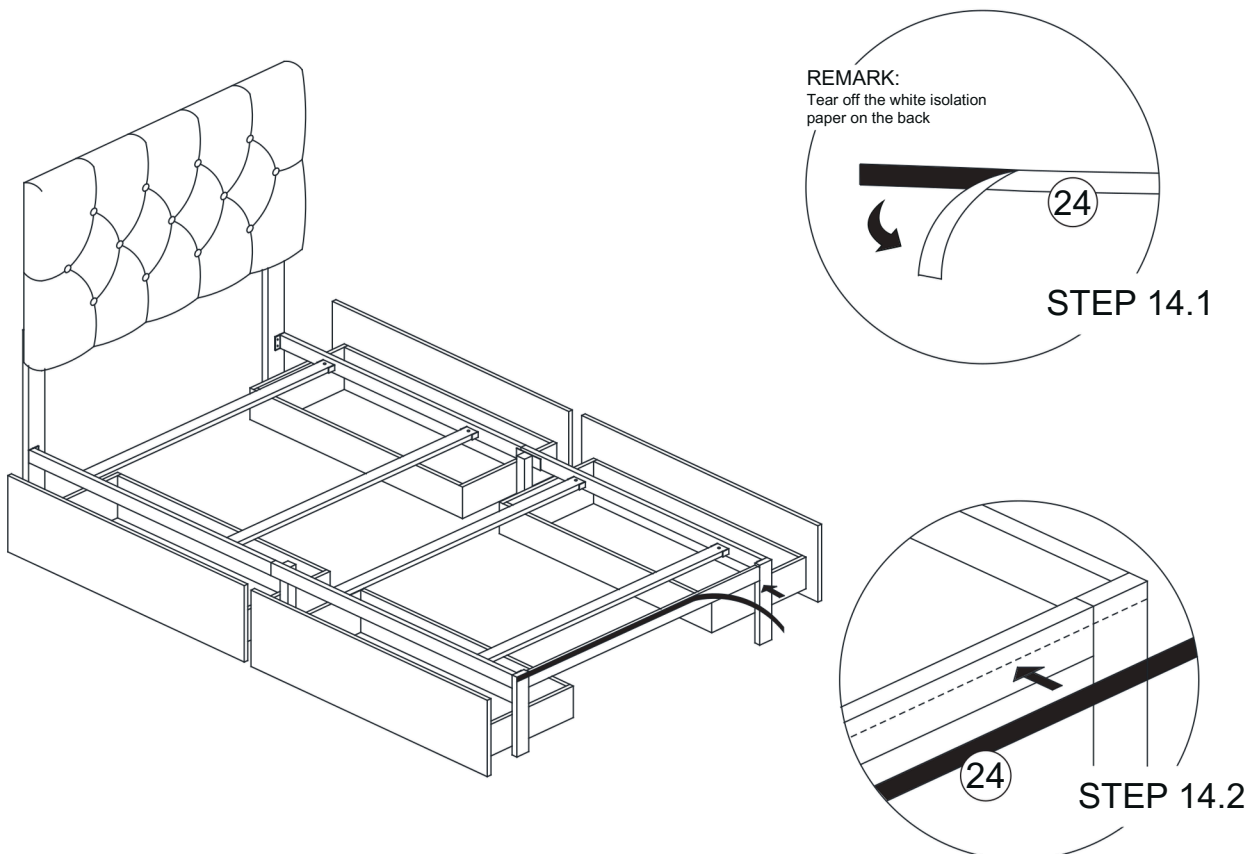


TWIN BED ASSEMBLY INSTRUCTION

STEP 13

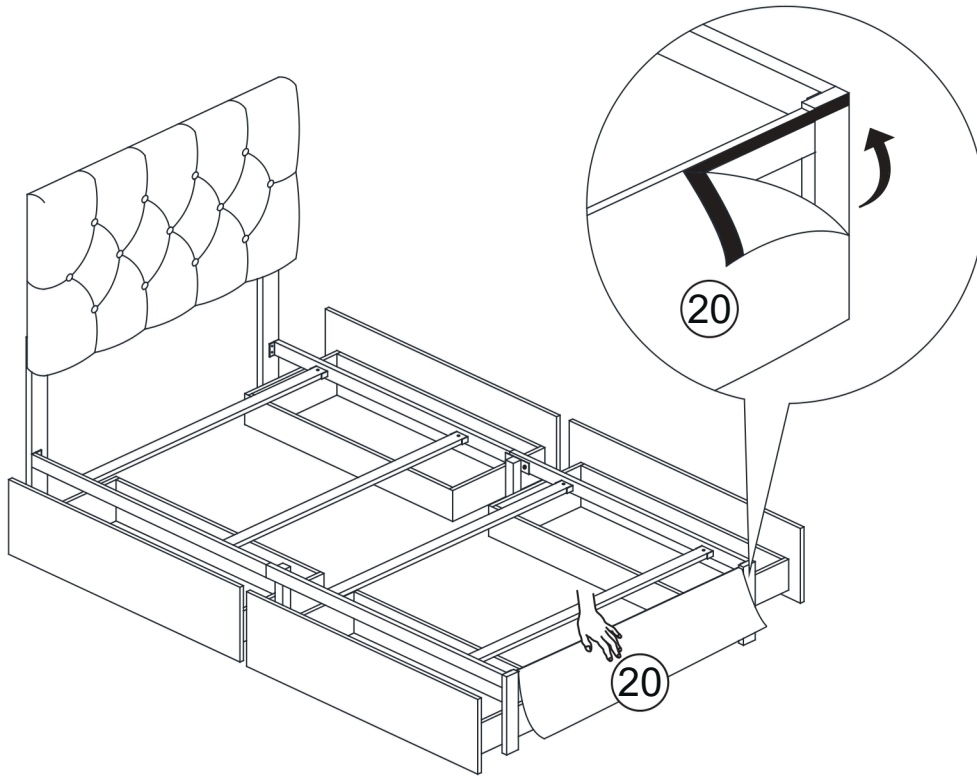


STEP 14

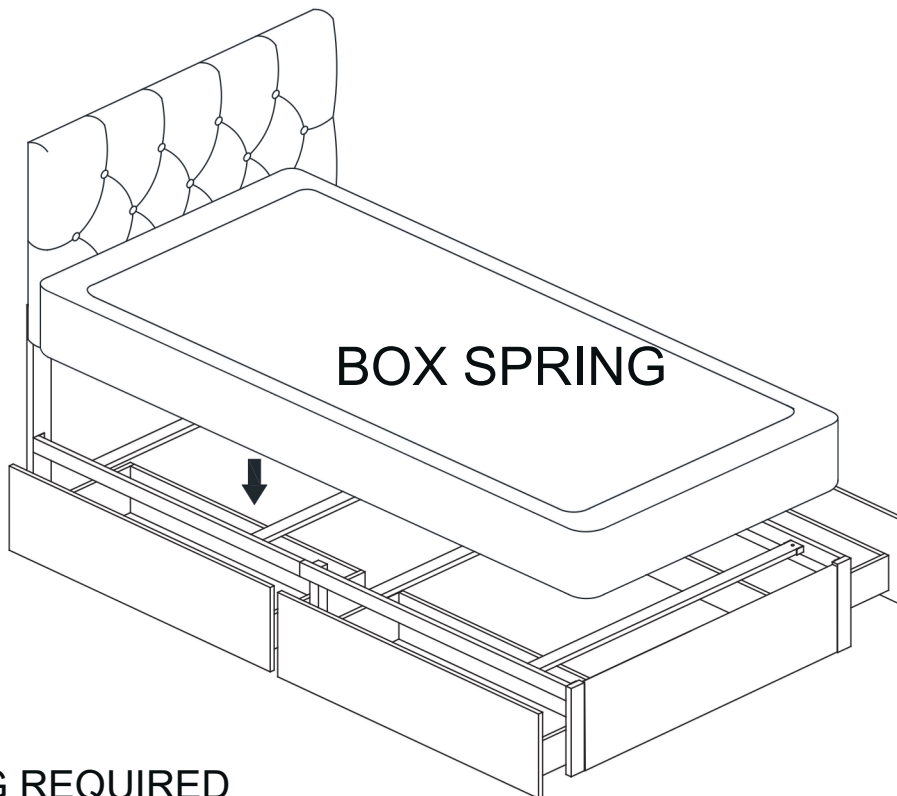


TWIN BED ASSEMBLY INSTRUCTION

STEP 15



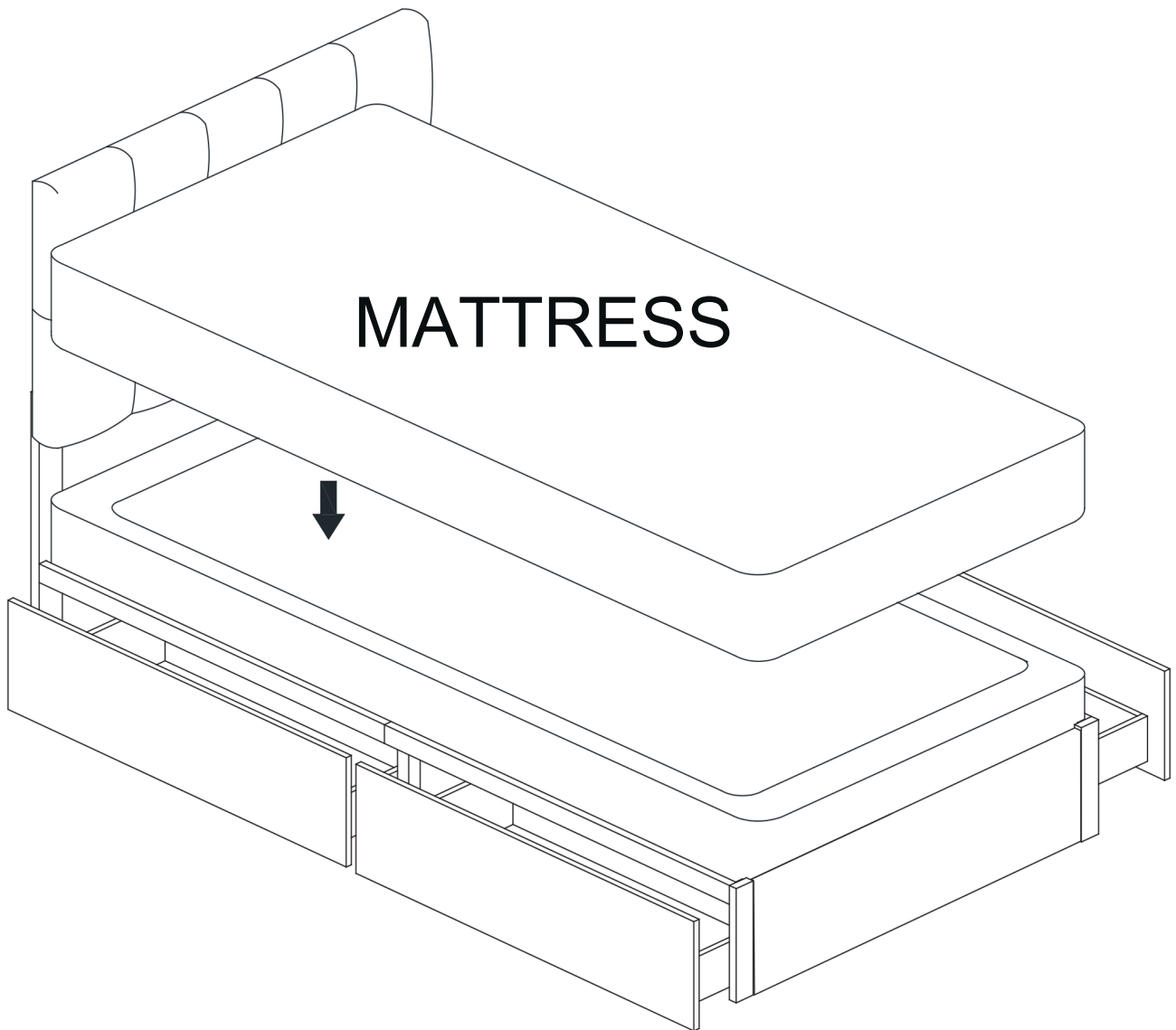
STEP 16



**BOX SPRING REQUIRED
(NOT INCLUDED)**

TWIN BED ASSEMBLY INSTRUCTION

STEP 17



MATTRESS NOT INCLUDED

ASSEMBLY COMPLETED