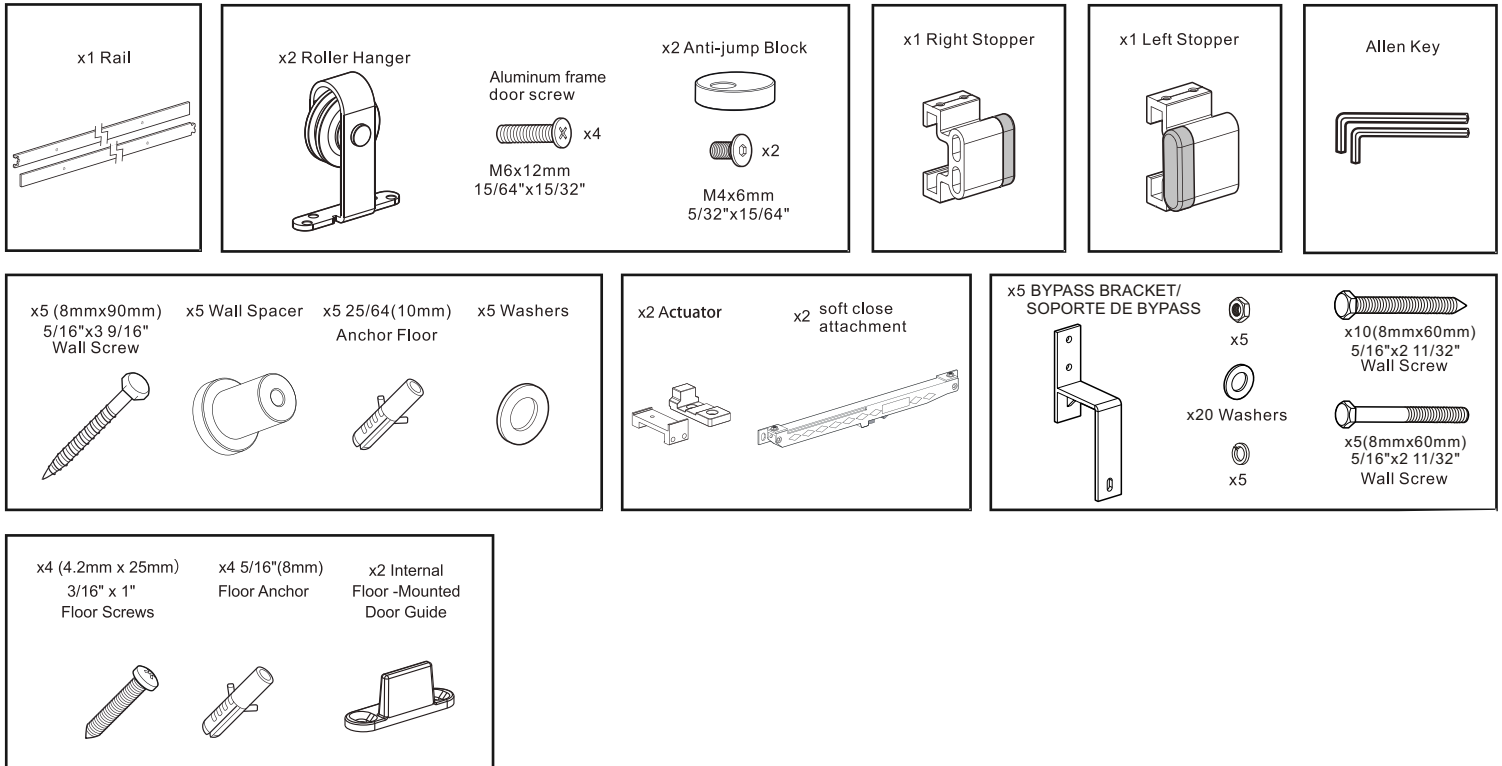


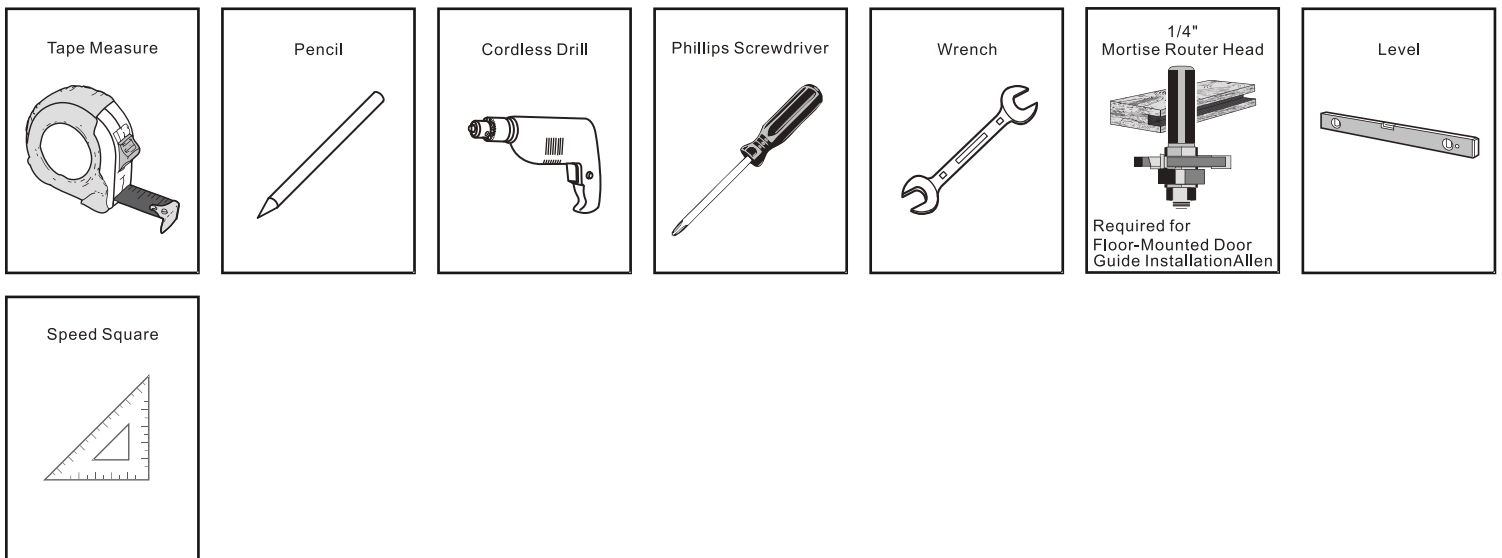
BARN DOOR HARDWARE KIT TSQ13BK-6FT+TKM04N-C INSTALLATION GUIDE

Main Components



To provide feedback on a particular part, please mark it by circling in the instruction manual and kindly send us a photo.

Tools Required

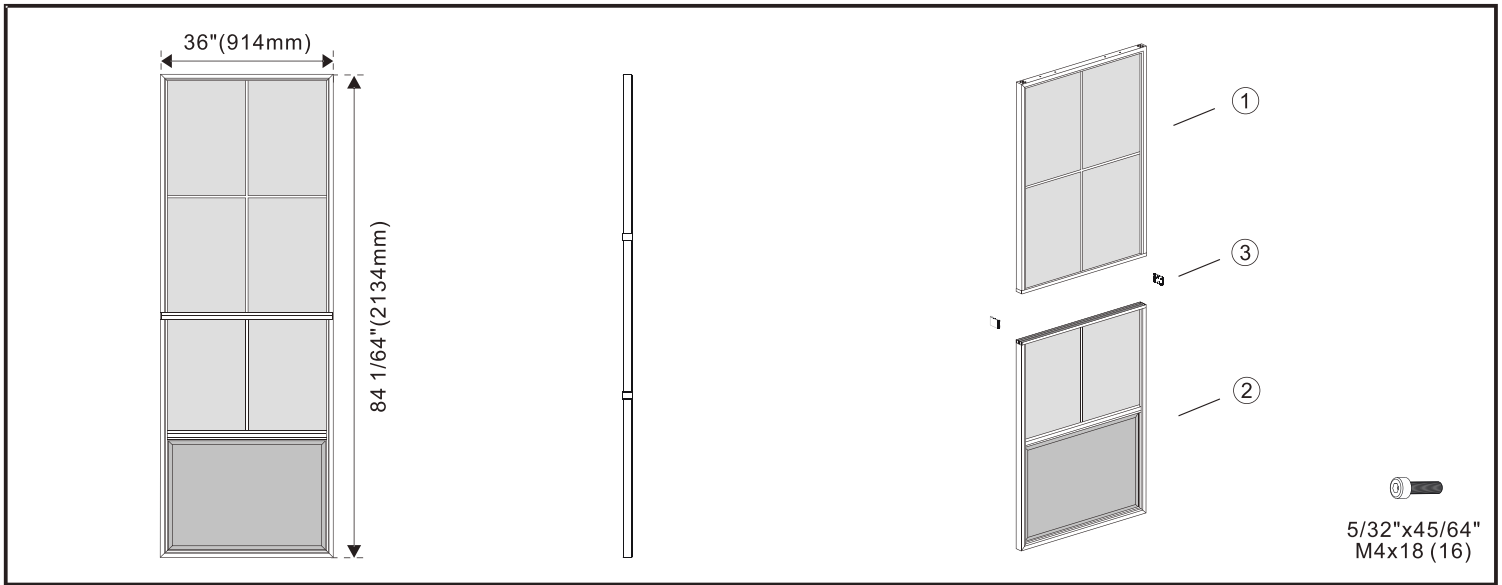


IMPORTANT: BEFORE YOU BEGIN

IF INSTALLING DIRECTLY INTO A NON-CONCRETE WALL, DO NOT ATTEMPT TO INSTALL THE RAIL SOLELY TO THE DRYWALL OR ANY WALL SURFACE AS THIS MAY NOT SUPPORT THE WEIGHT OF THE RAIL AND MOUNTED DOOR. THE RAIL MUST BE INSTALLED ONTO A PIECE OF SOLID WOOD BLOCKING (PACKAGE NOT INCLUDED) USING MOUNTING SCREWS (PACKAGE NOT INCLUDED). ENSURE THE SOLID WOOD BLOCKING IS SECURED INTO THE STRUCTURAL SURFACE. USE A STUD FINDER WHERE NECESSARY TO LOCATE STUDS AND SECURE SAFELY. TYPICAL SOLID WOOD BLOCKING SHOULD BE 92 23/64" x 5 1/2" x 7/8".

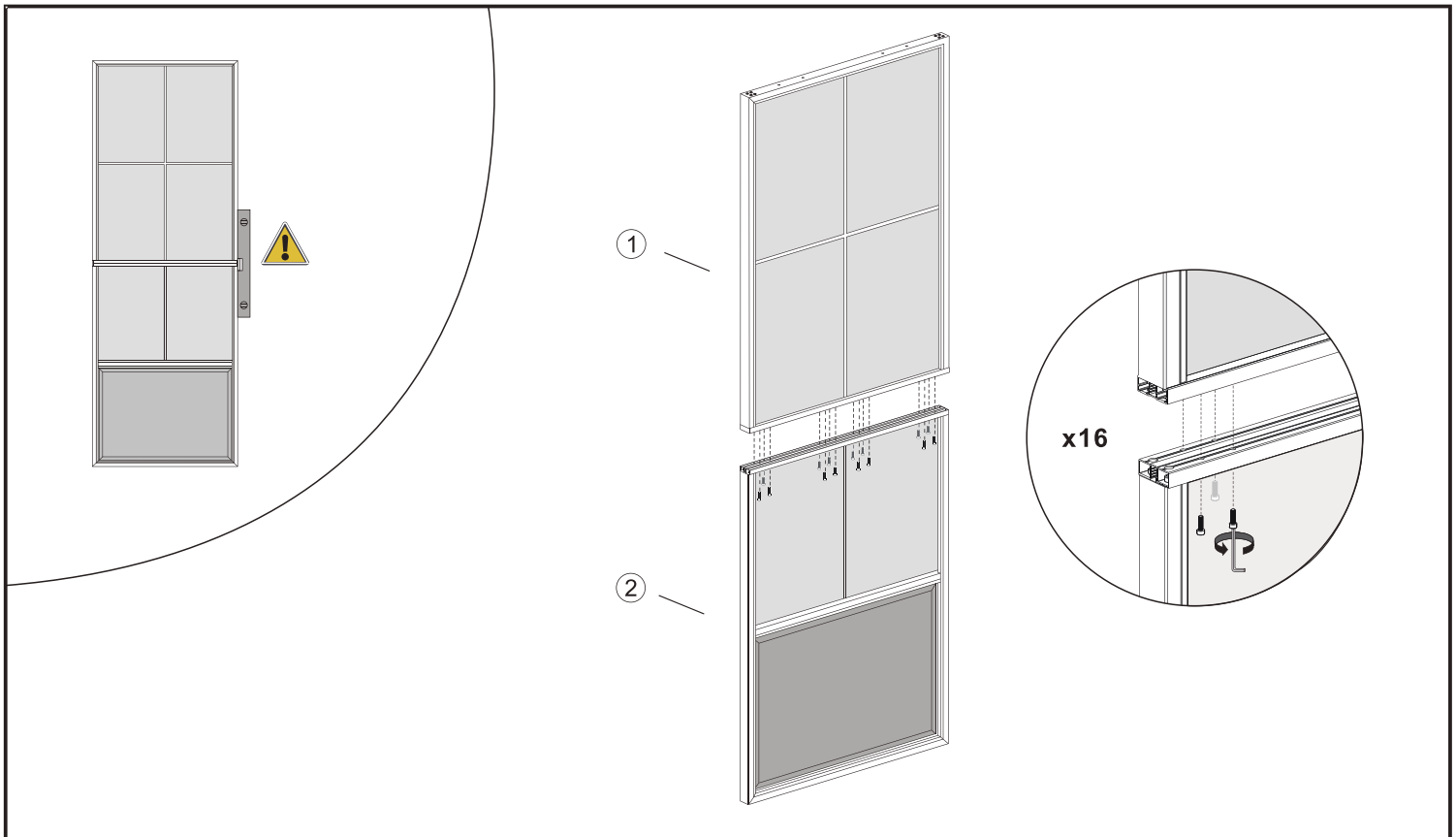
NOTE, SEPARATE BOLTS ARE PROVIDED FOR 13/8" DOORS AND LONGER BOLTS PROVIDED FOR 13/4" DOORS. IF INSTALLING WITH THE INTERNAL FLOOR-MOUNTED DOOR GUIDE, THE DOOR MUST BE MORTISED 1/4" WIDE X 3/4" DEEP CENTRALLY.

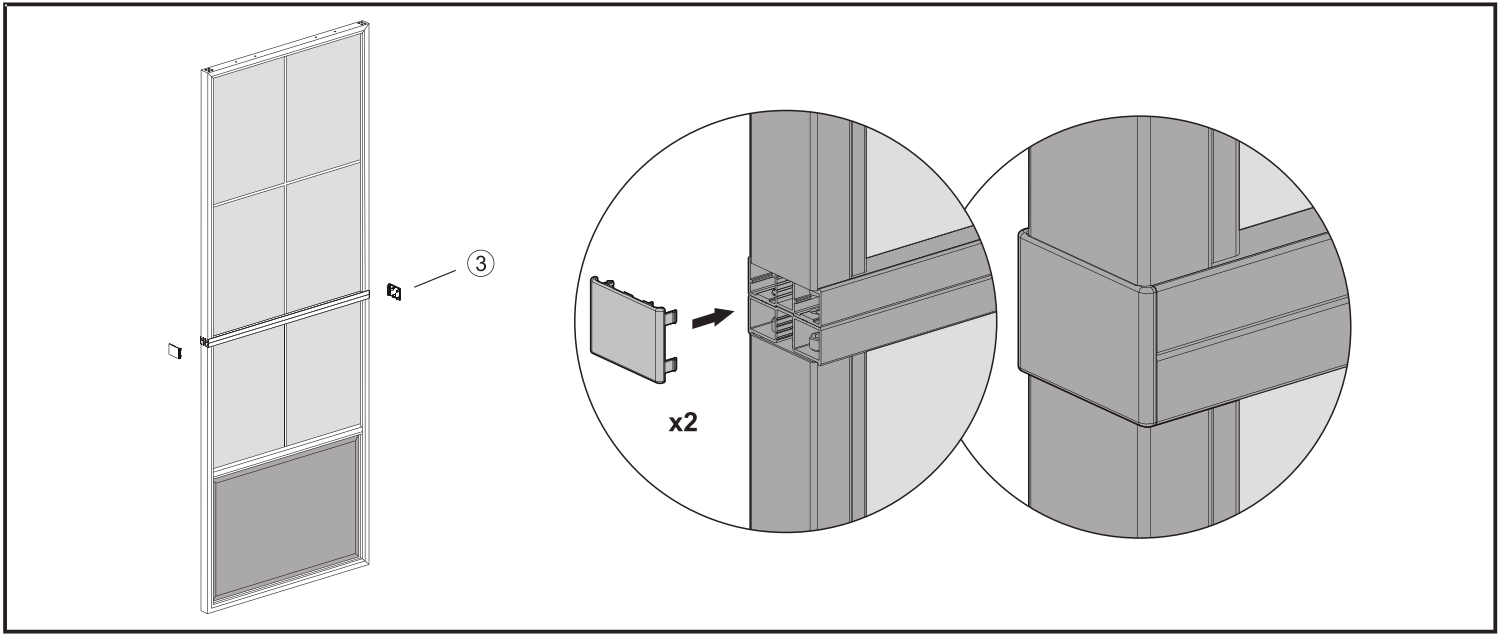
BARN DOOR HARDWARE KIT
TSQ13BK-6FT+TKM04N-C
INSTALLATION GUIDE



Door Preparation

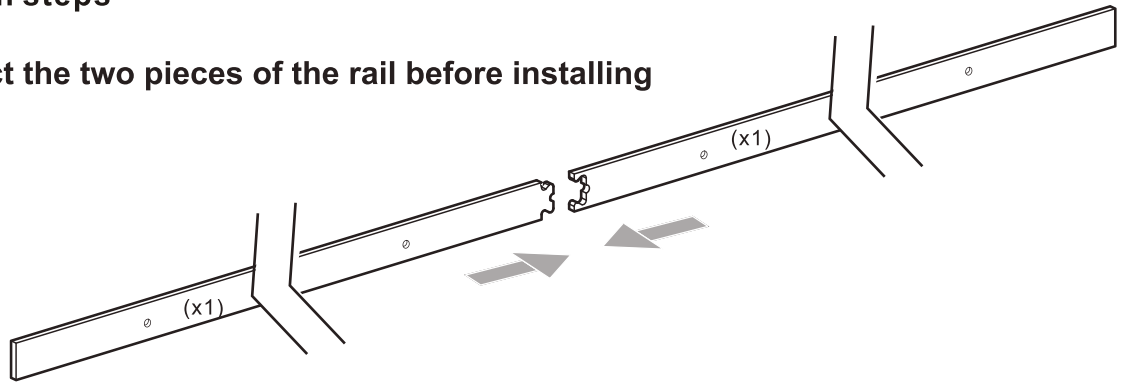
The door is divided into three parts: upper, middle and lower parts ①②.
Please fixed with 5/32"x45/64" screws





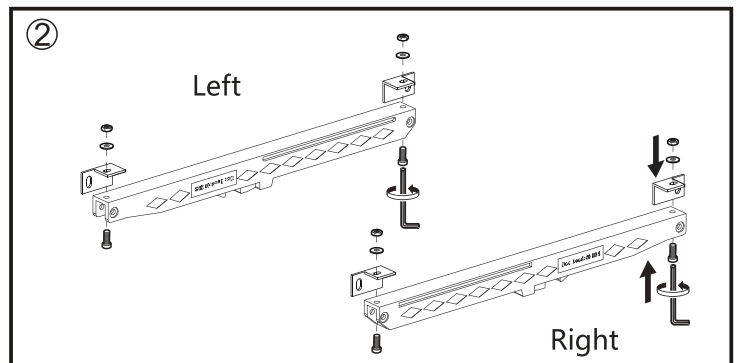
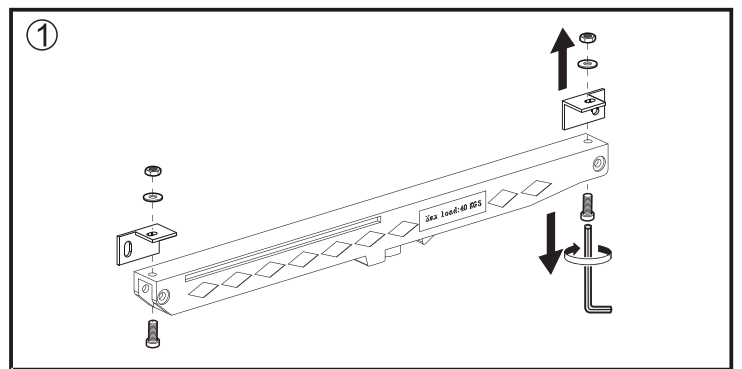
Double door installation steps

Kindly reminder: Connect the two pieces of the rail before installing

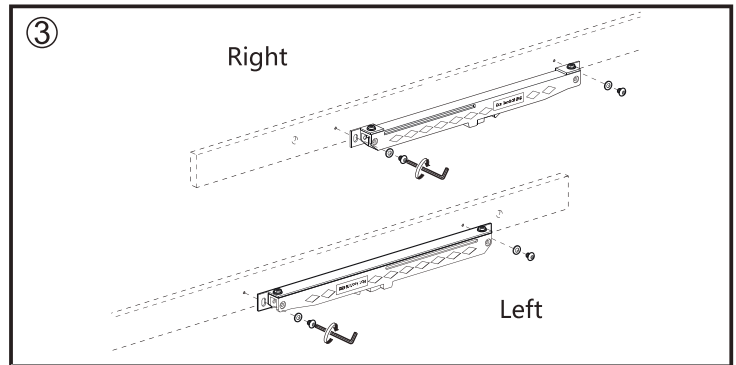


Step 1. Soft Close Installation

Unscrew the screw with a wrench firstly. Change the soft closes to the correct direction, then tighten and install them on the rail.

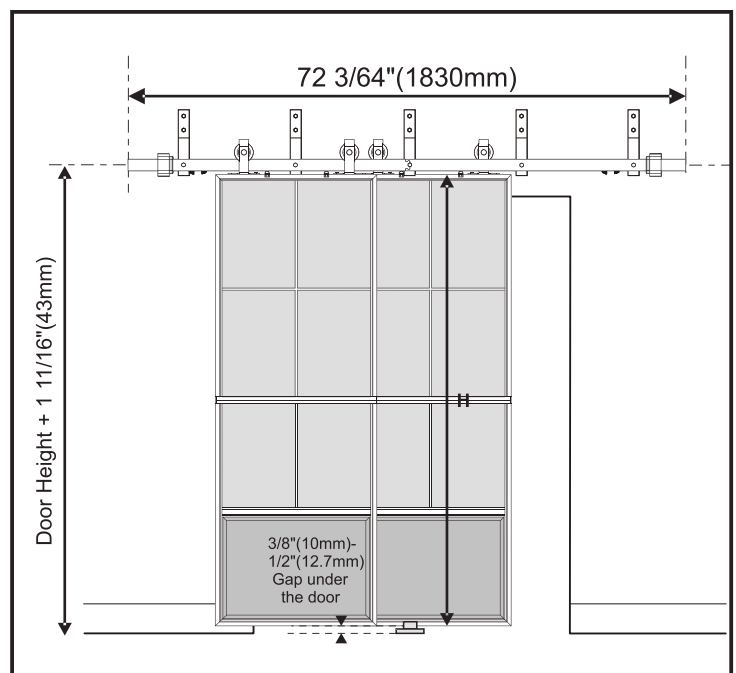


BARN DOOR HARDWARE KIT TSQ13BK-6FT+TKM04N-C INSTALLATION GUIDE



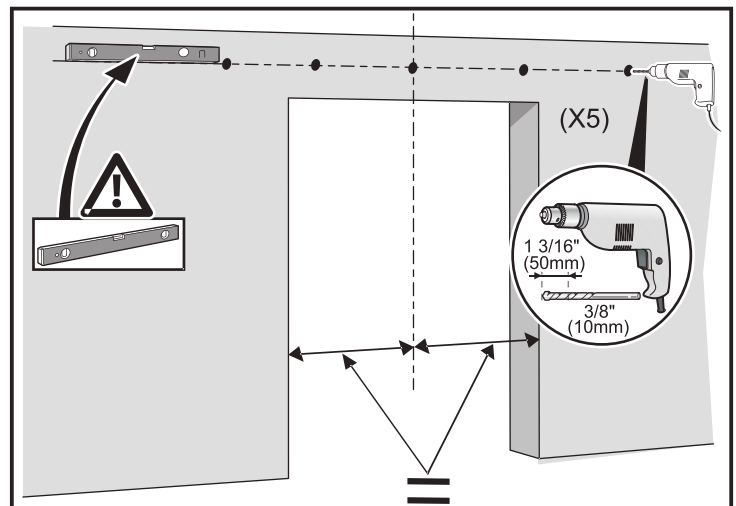
Step 2. CONCRETE Wall Preparation1

Position the rail by measuring up from the door height (H) + 1 11/16" to the centre of the track. Also ensure a gap of 3/8" - 1/2" at the bottom. Ensure the rail is level and leave a minimum of 2" from the end of the rail to the side of the opening.



Step 3. CONCRETE Wall Preparation2

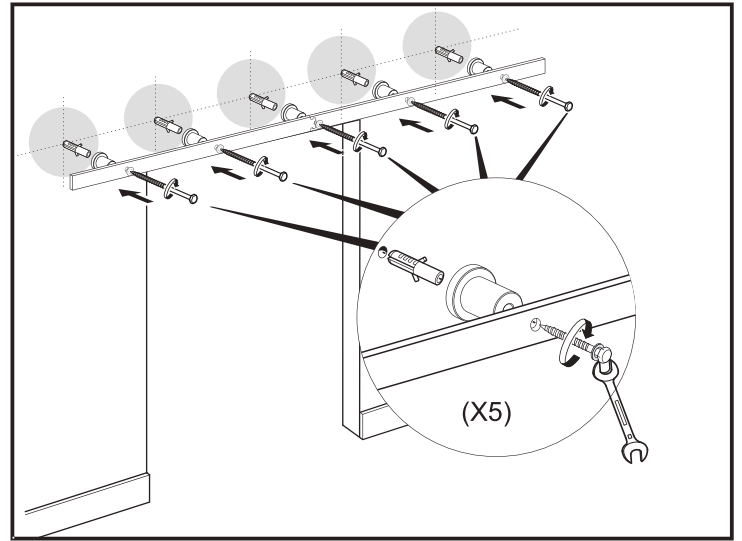
Position the rail in place ensuring that it is level, mark the holes on the rail using a pencil and pre-drill 3/8" holes into the concrete.



BARN DOOR HARDWARE KIT
TSQ13BK-6FT+TKM04N-C
INSTALLATION GUIDE

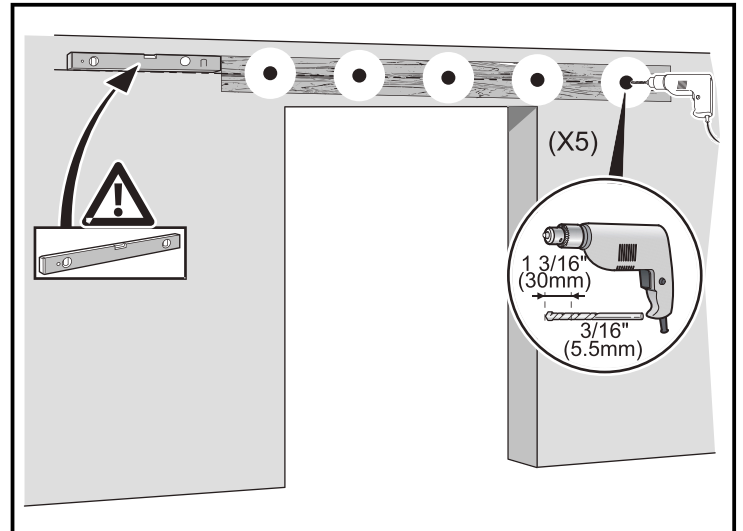
Step 4. CONCRETE Rail Installation

When installing directly into concrete, align the spacers to holes, insert using the provided anchors and hex bolts (with washers). Ensure to un-screw to separate the hex bolt and anchor to install correctly, securing with a wrench.



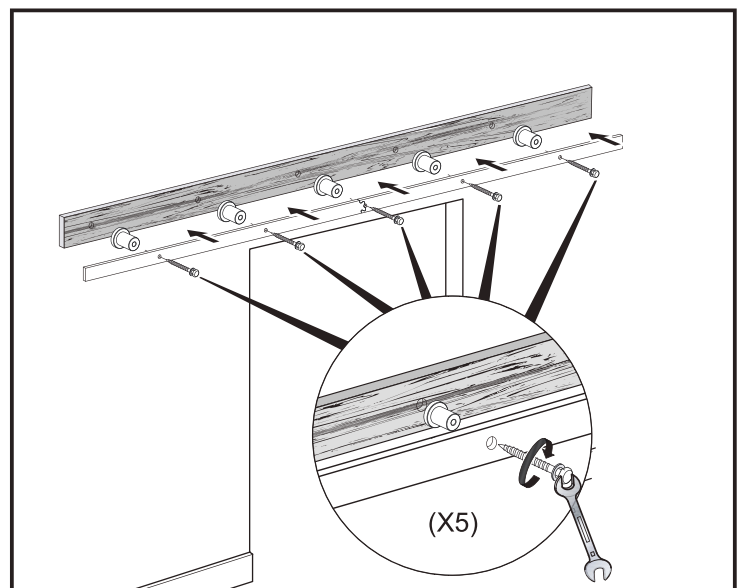
Step 5. DRYWALL Wall Preparation

Position the rail on top of the wood blocking ensuring levelness, mark the holes using a pencil and pre-drill $3/16$ " holes into the wood blocking.



Step 6. DRYWALL Rail Installation

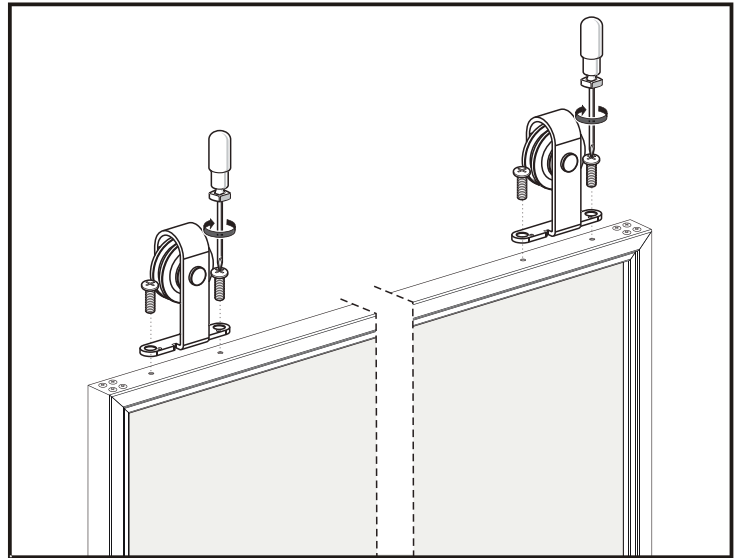
When installing into the solid wood block and wall, insert using the provided wall screws. Align each spacer to the rail holes, inserting screws (with washers), securing with a wrench.



BARN DOOR HARDWARE KIT
TSQ13BK-6FT+TKM04N-C
INSTALLATION GUIDE

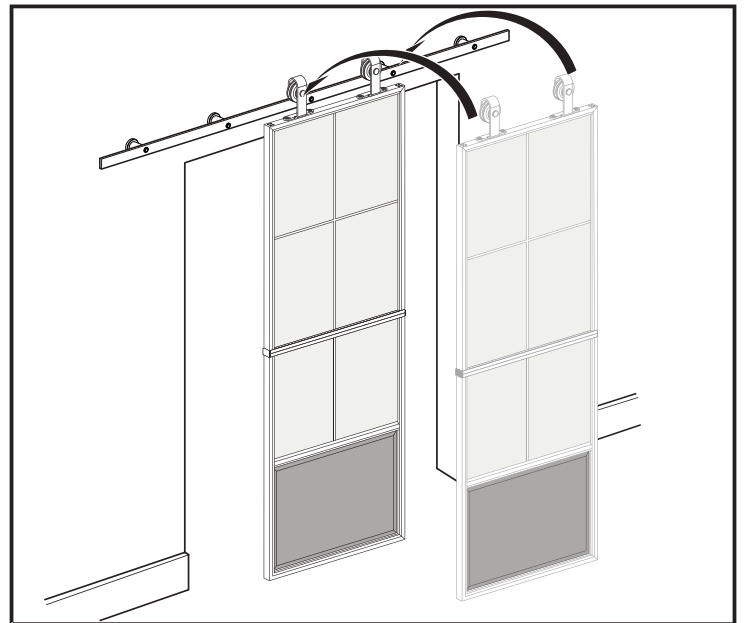
Step 7. Door Preparation – Strap Installation

Install the rollers on the reserved hole of the top of door by 15/64"x15/32" screw.



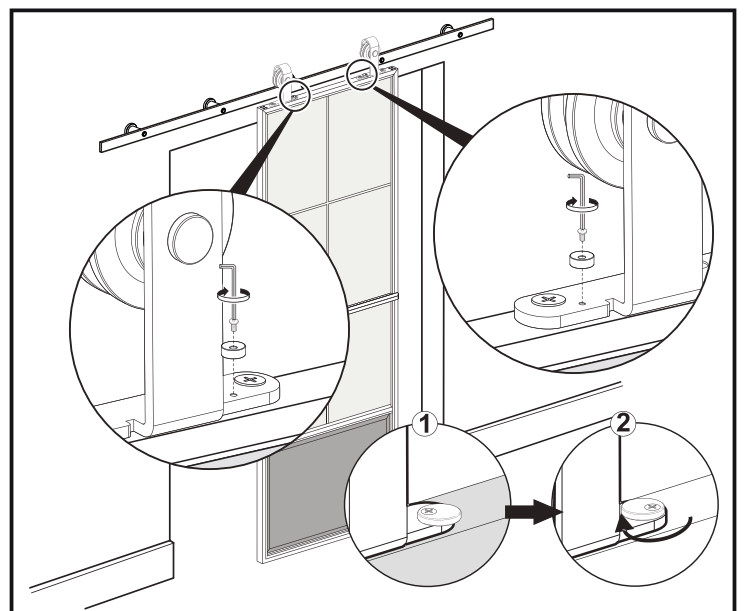
Step 8. Hanging the Door

Place the assembled door onto the secured rail and tighten



Step 9. Door Preparation - Anti-jump block Installation

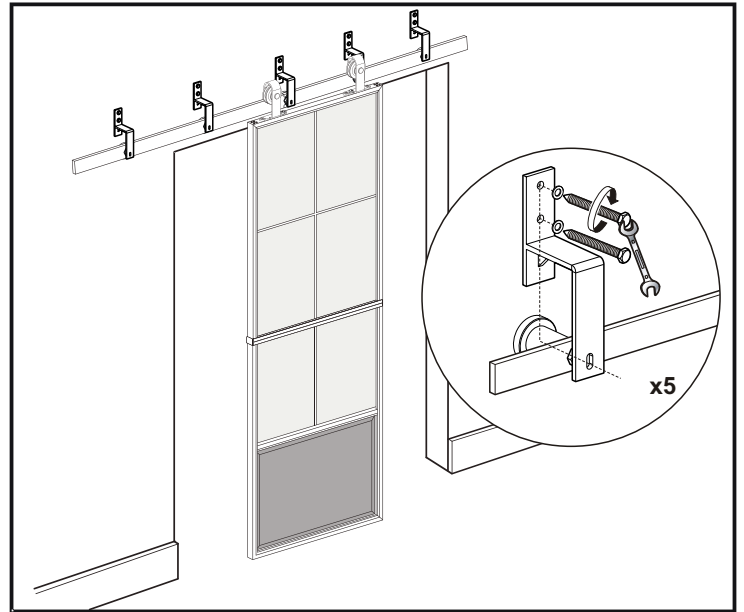
Install the anti-jump on the rollers by 5/32" x15/64" screw to protect the door from touching the rail when sliding the door.



BARN DOOR HARDWARE KIT
TSQ13BK-6FT+TKM04N-C
INSTALLATION GUIDE

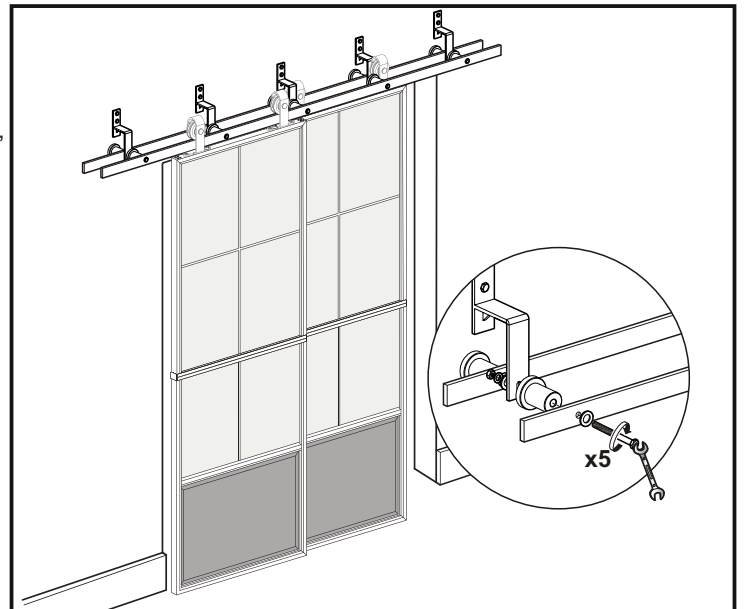
Step10.

Drill 3/8" holes where the brackets will be installed



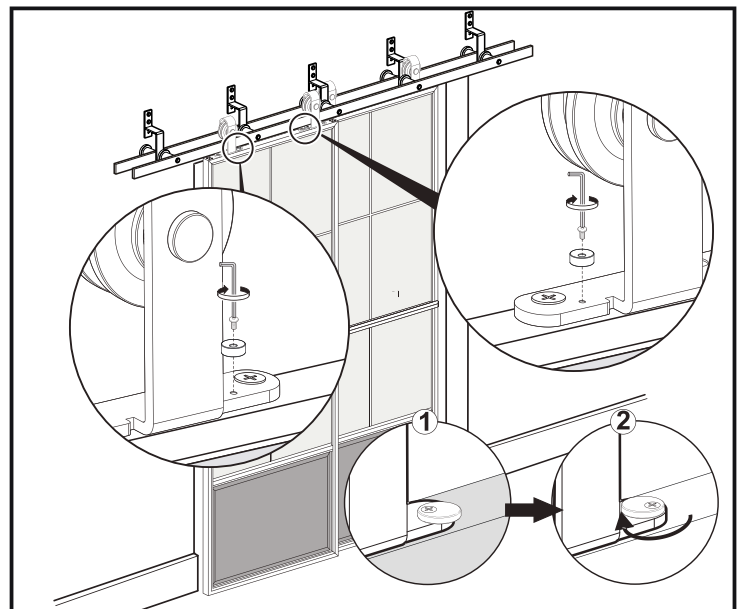
Step11.

When installing into drywall, use the Drywall Bracket Screws and Anchors provided. Secure using a socket / wrench, inserting any washers. With brackets in place, apply the additional track, each of the Bolts and Nuts with Wall Spacers. Depending on your bypass door operation, you may need to insert the Left and Right Stoppers before securing the outside brackets.



Step12. Door Preparation - Anti-jump block Installation

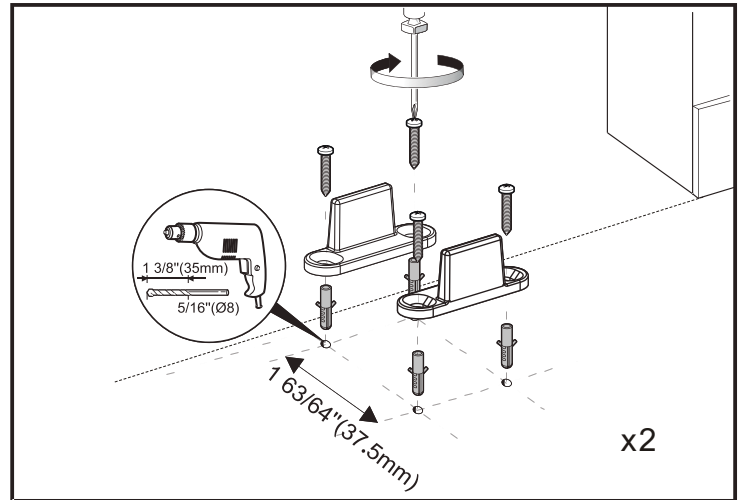
Install the anti-jump on the rollers by 5/32" x15/64" screw to protect the door from touching the rail when sliding the door.



BARN DOOR HARDWARE KIT
TSQ13BK-6FT+TKM04N-C
INSTALLATION GUIDE

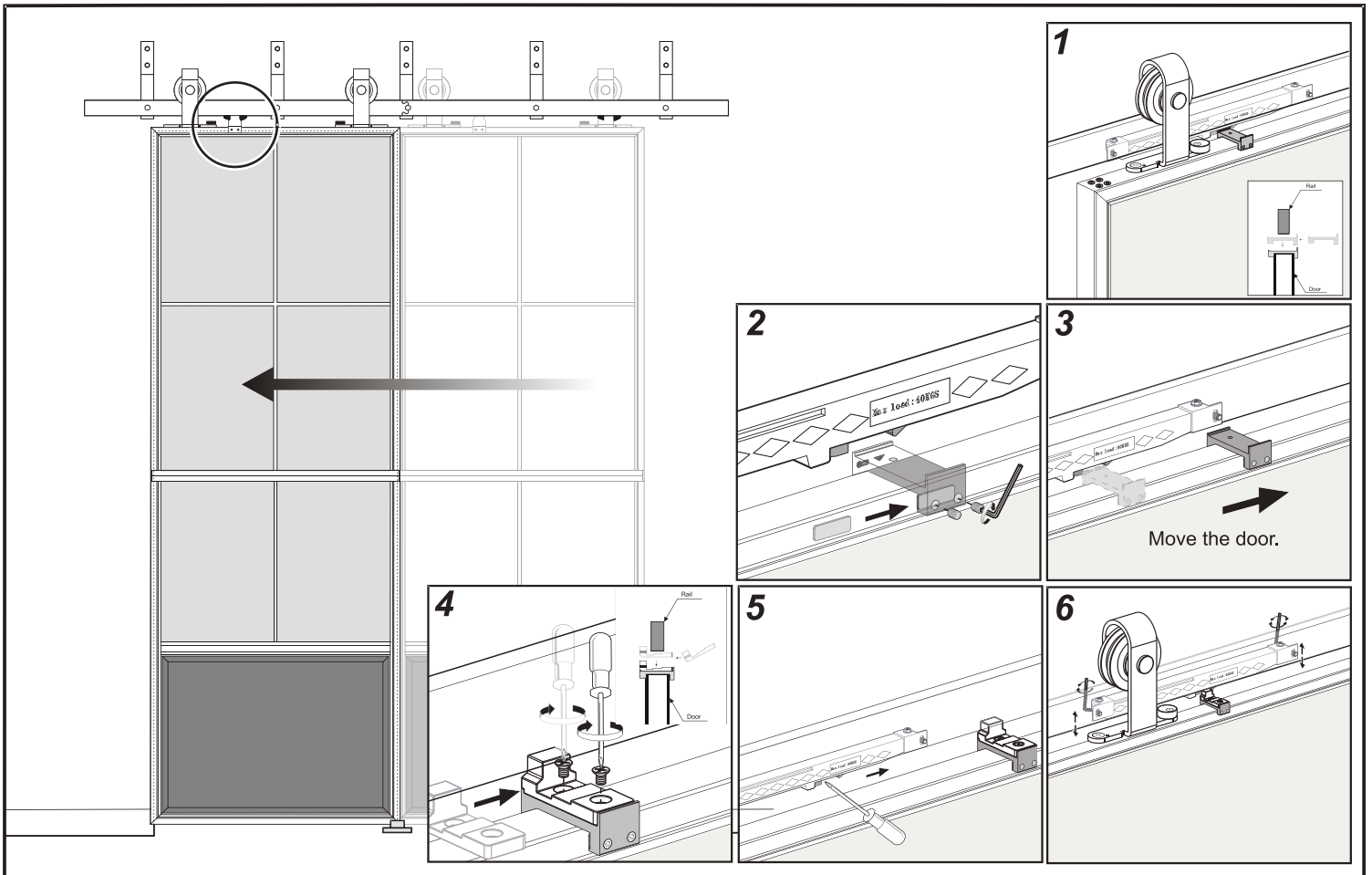
Step13. Floor-Mounted Door Guide Installation

Slide the door side-to-side to ensure functionality for final placement then mark holes with a pencil and pre-drill 5/16" holes. If drilling directly into a concrete floor, use the provided anchors.



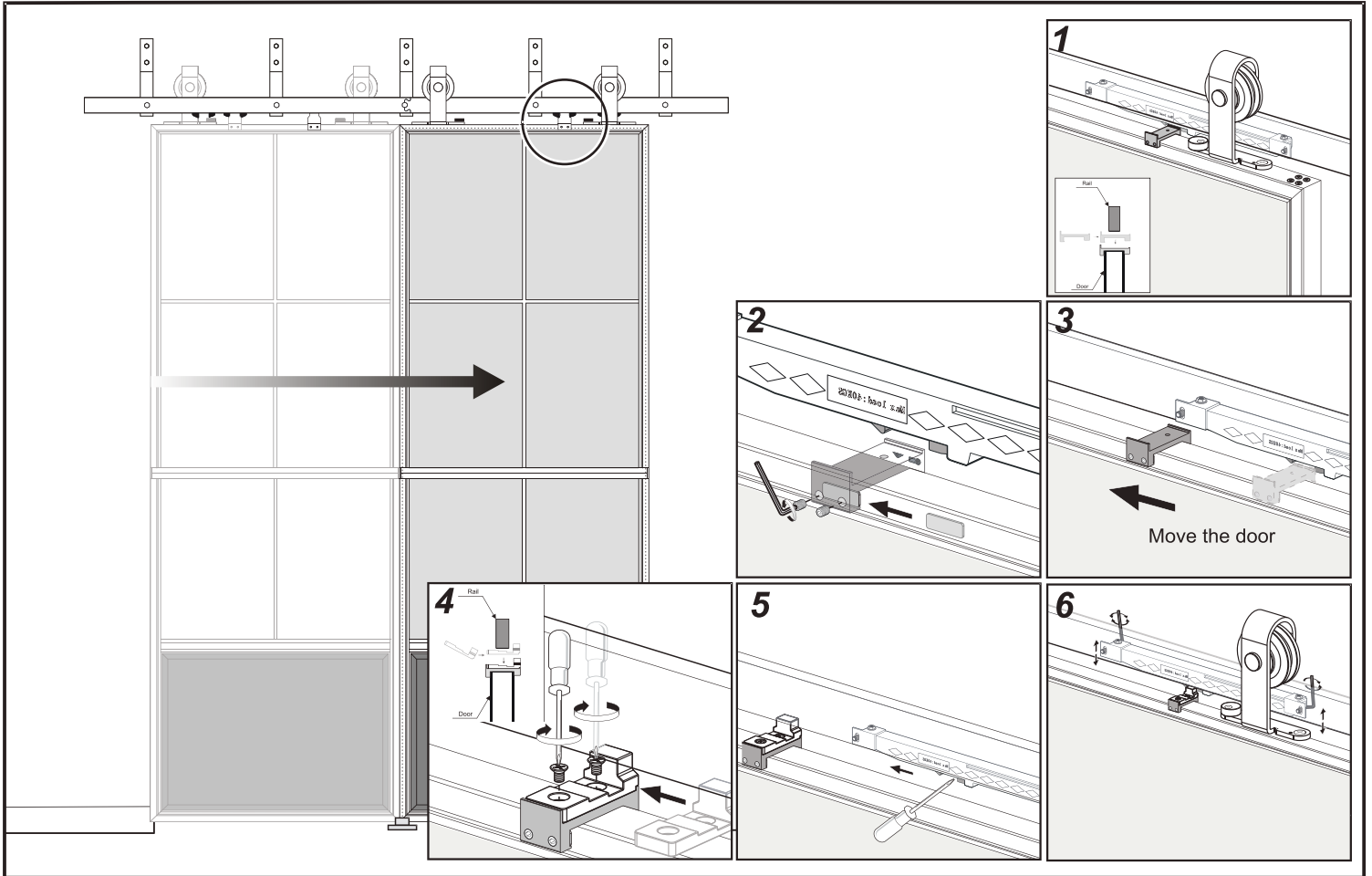
Step14. Install right left close attachment

1. Push the door to the left, push it to the required position.
place the actuator connector in the middle of the actuator claw.
2. Insert the washers and tighten it with a wrench.
3. Push the door to the right and install the actuator on the connector.
4. Move the actuator claw to the right, adjust the actuator to a limited position.
adjust the height of the soft close, and make sure it works.



Step15. Install right soft close attachment

1. Push the door to the right, push it to the required position.
place the actuator connector in the middle of the actuator claw.
2. Insert the washers and tighten it with a wrench.
3. Push the door to the left and install the actuator on the connector.
4. Move the actuator claw to the left, adjust the actuator to a limited position.
adjust the height of the soft close, and make sure it works.



Step16. Stopper Installation

Slide the door closed and to correct position of both stoppers. Using the provided Allen key, tighten into position to complete the installation of the Barn Door Kit.

