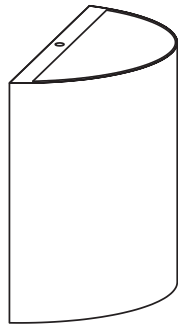


# Instruction Manual

## Wall Sconce



## HARDWARE CONTENTS(shown actual size)

AA



Headless screw x 2

BB



Wire nut x 3

CC



Long mounting screw x 2

DD



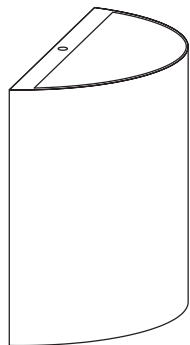
Mounting plate (Not actual size) x 1

EE



Allen key (Installation tools) x 1

## PACKAGE CONTENTS



A

PART	DESCRIPTION	QUANTITY
A	Fixture	1

## ! WARNING

- TURN OFF ELECTRICITY at main fuse box (or circuit breaker box) before beginning installation by removing fuse (or switching off circuit breaker).
- MINIMUM 90°C SUPPLY CONDUCTORS.

## PREPARATION

Before beginning assembly of product, make sure all parts are present. Compare parts with package contents list and hardware contents list. If any part is missing or damaged, do not attempt to assemble the product.

**Estimated Assembly Times: 25 minnutes**

Tools Required for Assembly (not included): Flathead screwdriver , Phillips screwdriver, Pliers, Electrical tape, Wire cutters, Safety glasses.



Helpful Tools (not included): Wire strippers, Step ladder.

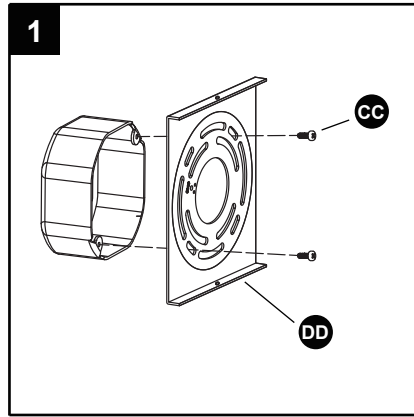
**Customer Service: [service@24h-reply.com](mailto:service@24h-reply.com)**

## ASSEMBLY INSTRUCTIONS

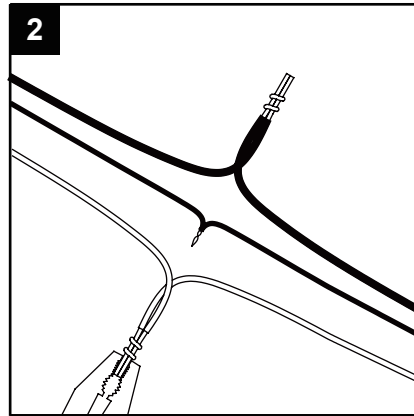
1. Attach the mounting plate (DD) to the outlet box (not included) with the long mounting screws (CC).

### Hardware Used

- CC** Long mounting screw  x 2
- DD** Mounting plate  x 1



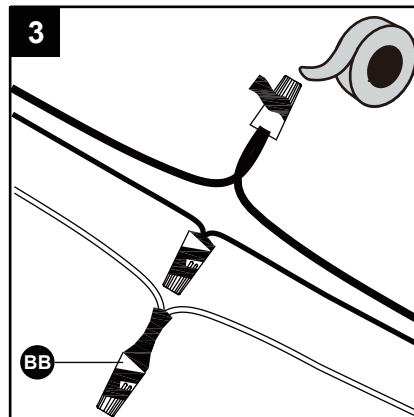
2. Strip 3/4 in. of insulation from wire ends. Twist stripped ends together with pliers (not included), black to black (power) and white to white (neutral). Attach copper wire to ground wire. Helpful hint: If necessary, attach copper ground wire to grounded outlet box.



3. Attach wire nuts (BB). Tape wire nuts (BB) and wires together.

### Hardware Used



- BB** Wire nut  x 3

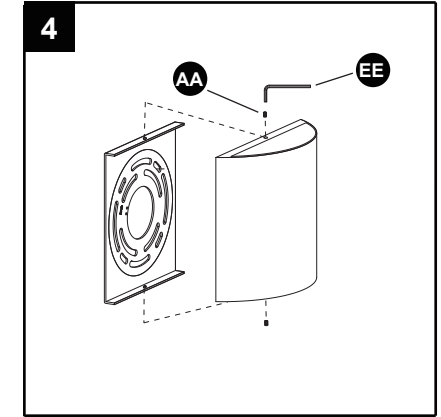


## ASSEMBLY INSTRUCTIONS

4. Place fixture (A) onto the mounting plate (DD). Secure with headless screws (AA).

### Hardware Used

- AA** Headless screw  x 2
- EE** Allen key  x 1



5. This lamp is a built-in LED, no need to install a separate bulb .