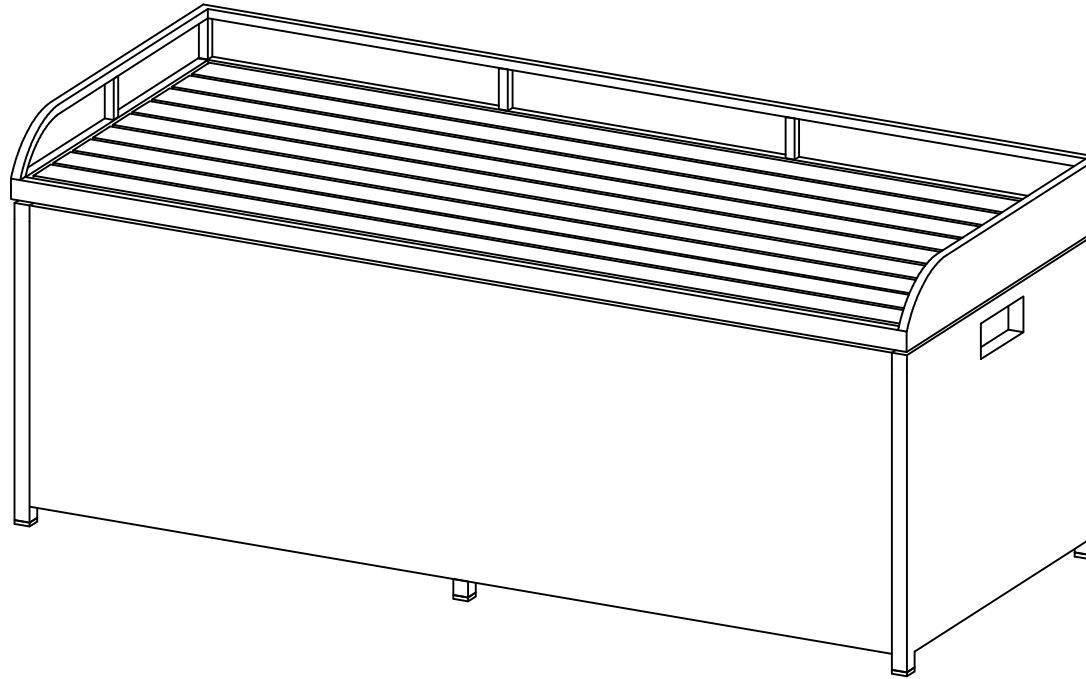


ASSEMBLY INSTRUCTION

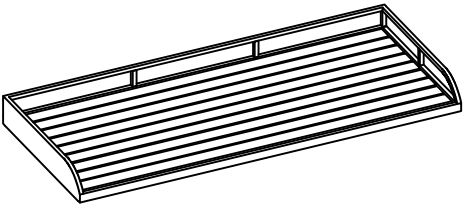
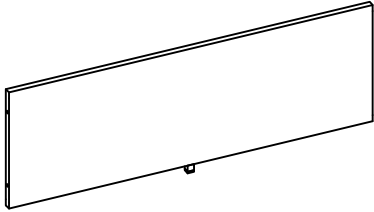
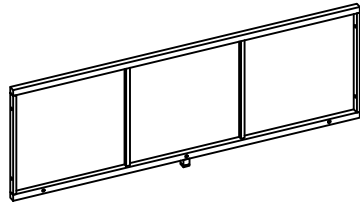
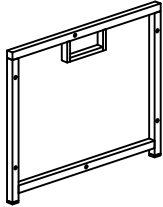
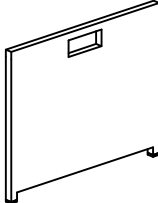
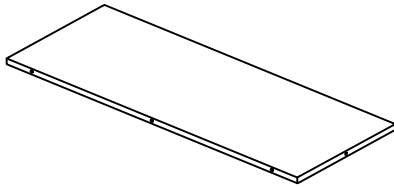
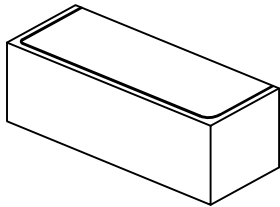
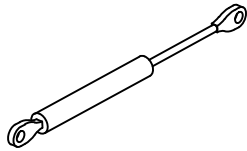
Storage Box



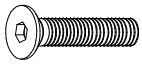
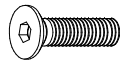


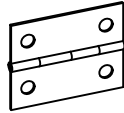


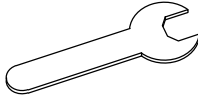

Notice :

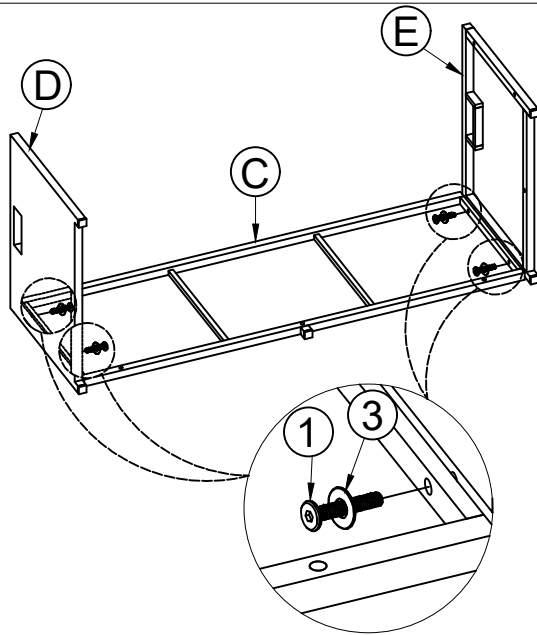
1. 50% Tighten before fixing all screws, Allen wrench is recommended instead of an electric drill.
2. Place the item on a flat ground to adjust and make sure it remains stable.
3. Tighten up all screws with tools gradually.
4. If the screws are not aligned with holes during assembly, please loosen all the other screws to 50% and continue the assembly process.
5. If the item is not stable, please loosen all the screws, adjust it on a flat ground and tighten up all screws again.
6. Note : If one or some screws are fully tightened during assembly, chances are the others will not be aligned with holes. In addition, all the holes are designed to be relatively larger to provide more space for the adjustment of the screws.

Part List :

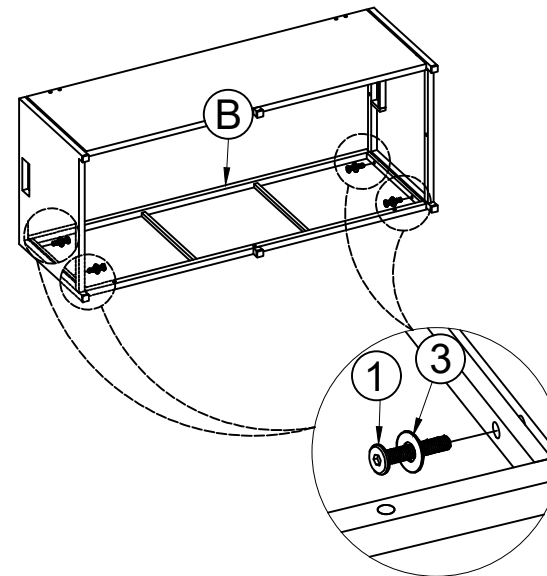
<p>A</p>  <p>Box Top (1 pc)</p>	<p>B</p>  <p>Front Frame (1 pc)</p>	<p>C</p>  <p>Back Frame (1 pc)</p>
<p>D</p>  <p>Right Side Frame (1 pc)</p>	<p>E</p>  <p>Left Side Frame (1 pc)</p>	<p>F</p>  <p>Bottom Frame (1 pc)</p>
<p>G</p>  <p>Fabric bag (1 pc)</p>	<p>H</p>  <p>Pneumatic (1 pc)</p>	

Hardware :

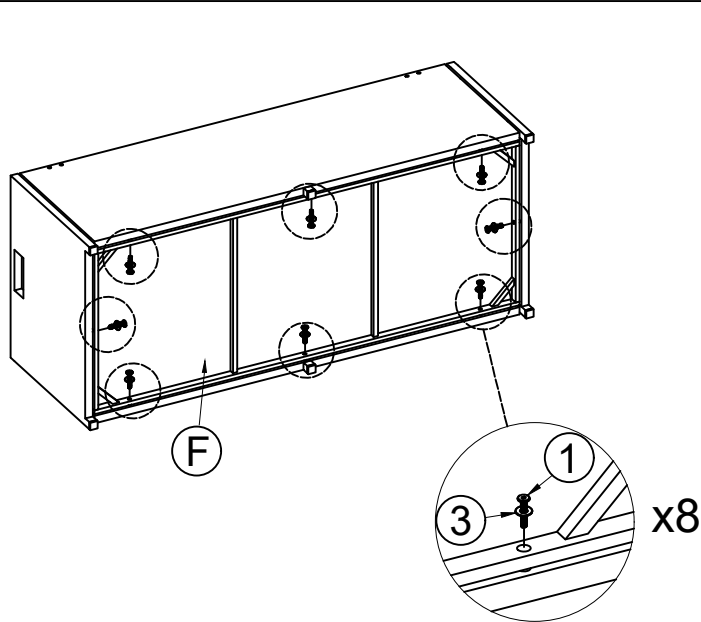
<p>1</p>  <p>Allen Bolt M6*30 (18 pcs)</p>	<p>2</p>  <p>Allen Bolt M6*20 (8 pcs)</p>	<p>3</p>  <p>Flat Washer (27 pcs)</p>	<p>4</p>  <p>Nut (1 pc)</p>	<p>5</p>  <p>Hinge (2 pcs)</p>
<p>6</p>  <p>Washer 8x18xt5 (1 pc)</p>	<p>7</p>  <p>Washer 8x18xt10 (1 pc)</p>	<p>8</p>  <p>Key (1 pc)</p>	<p>9</p>  <p>Allen Key (1 pc)</p>	



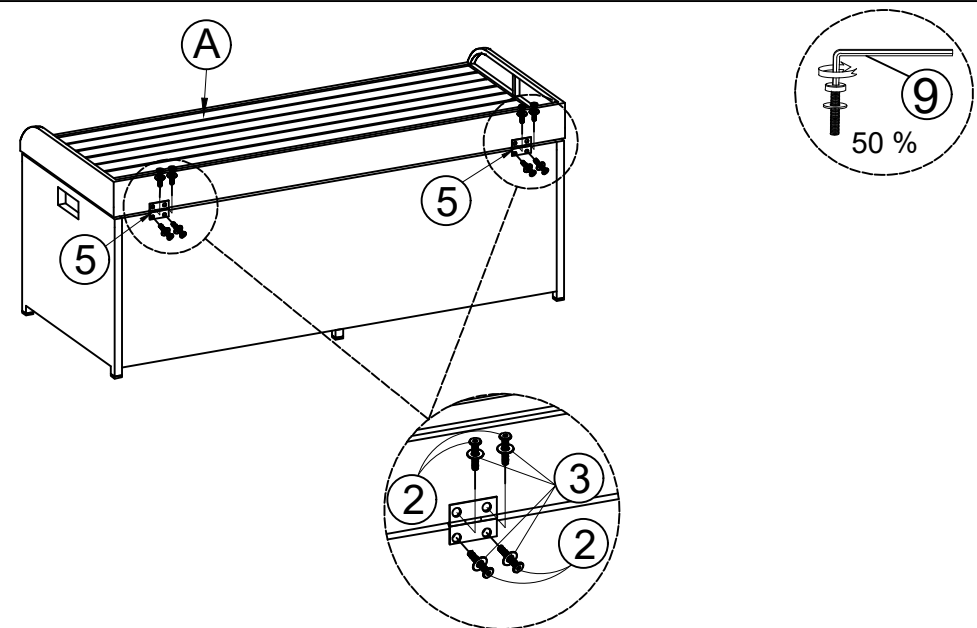
Step 1: Connect Back Frame (C) & Right Side Frame (D), Left Side Frame (E) by tighten Allen Bolt (1), Flat Washer (3) with Allen Key (9).



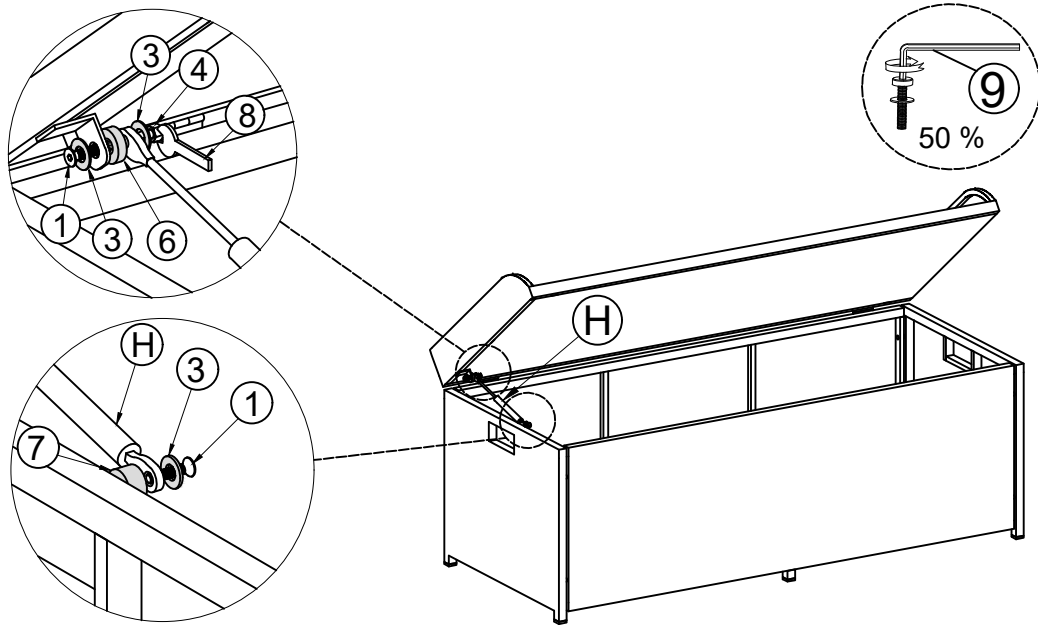
Step 2: Connect the part from Step 1 & Front Frame (B) by tighten Allen Bolt (1), Flat Washer (3) with Allen Key (9).



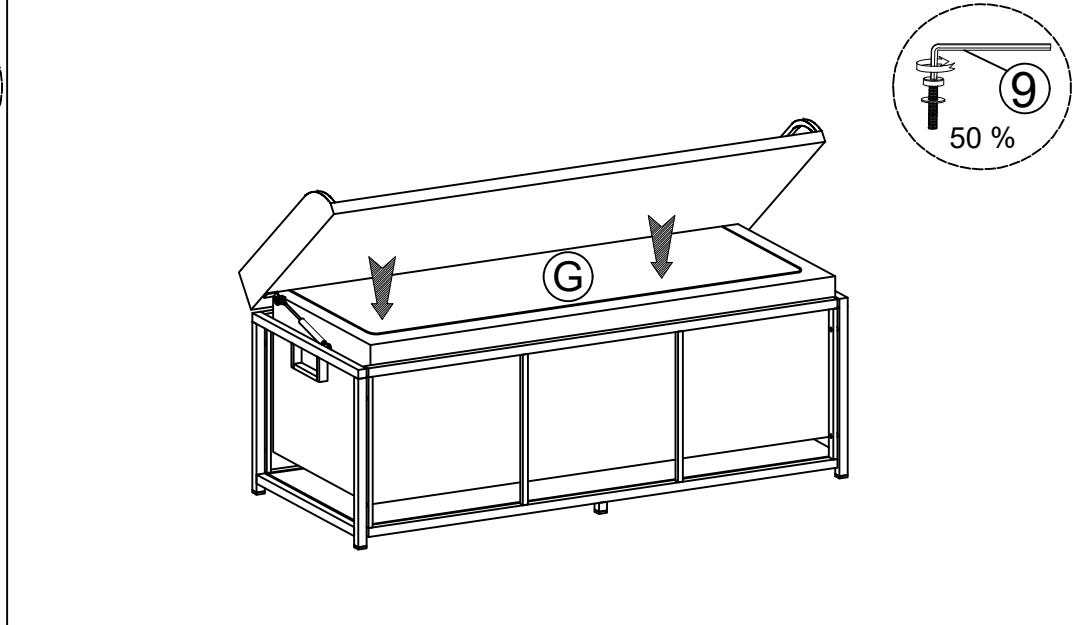
Step 3: Connect the part from Step 2 & Bottom Frame (F) by tighten Allen Bolt (1), Flat Washer (3) with Allen Key (9).



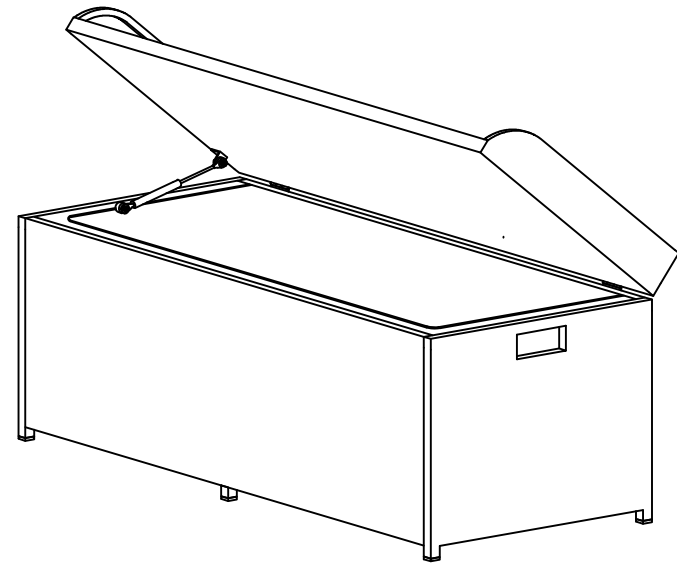
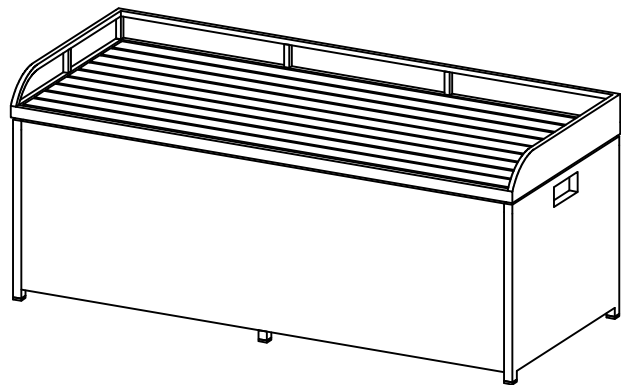
Step 4: Connect the part from Step 3 & Box Top (A) and Hinge (5) by tighten Allen Bolt (2), Flat Washer (3) with Allen Key (9).



Step 5: Connect the part from Step 4 & Pneumatic (H) by tighten Allen Bolt (1), Flat Washer (3), Washer t5,t10, Nut (4) with Key (8), Allen Key (9).



Step 6: Put the Fabric bag (G) into Storage Box to Finish.



Step 7: Finish .