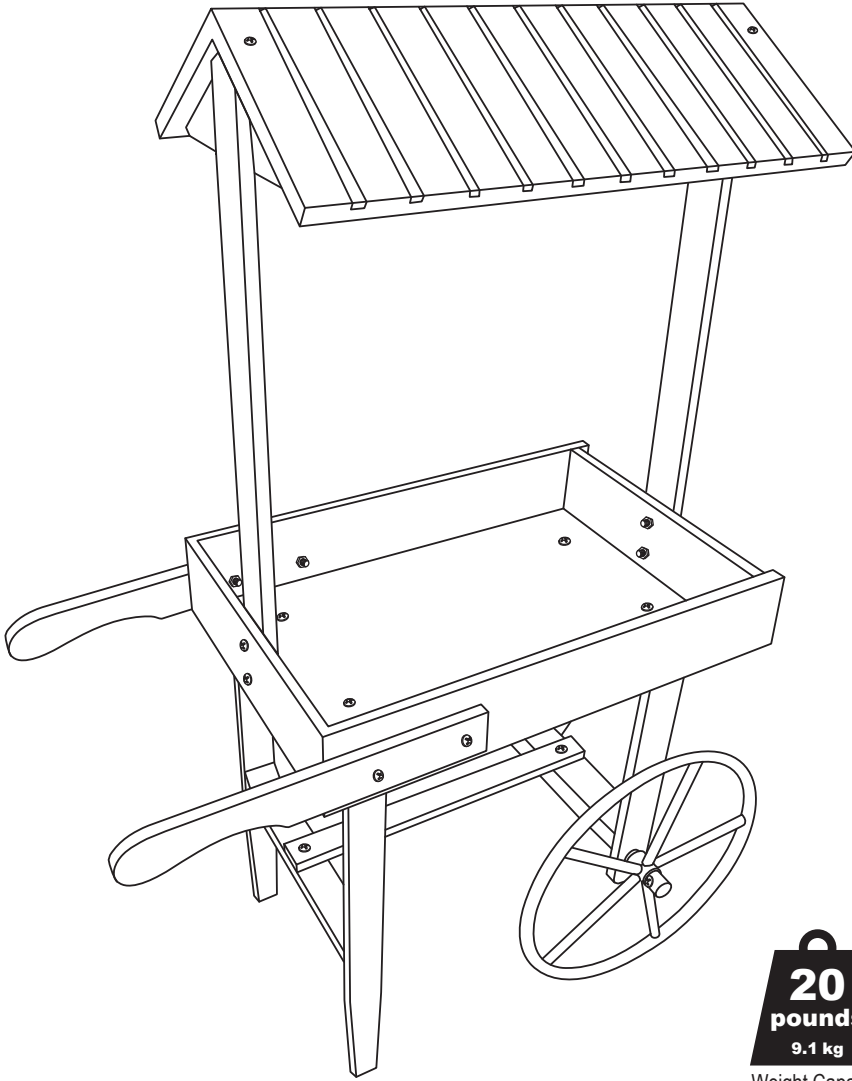


Thank you for choosing . We stand behind our brand and the quality of the items we sell. Replacement parts or products can be requested within the 1-year warranty period. Proof of purchase must be provided. This includes the date of the purchase as well as photos of the product defect. Photos are used to determine the cause of the defect and to provide future quality control. The request will be reviewed, and replacement pieces will be sent at our discretion.

# RUSTIC FLOWER CART RAISED GARDEN BED

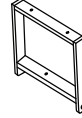




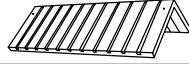






Review all assembly and care information before using this product. Save this manual for future reference.  
**Assemble components on a soft, clean surface to avoid damaging the finish.**



**20  
pounds**  
9.1 kg  
Weight Capacity



Inspect packaging to ensure all parts are accounted for before disposing of packing materials.  
Save the packing slip.

No.	PARTS		QTY.
A		Back Leg Panel	1
B		Front Leg Panel	1
C		Support Bar	1
D		Planter Box	1
E		Handle	2
F		Roof	1
G		Support Post	2
H		Wheel	2
I		Axle	1
J		Nut	14
K		M4x30mm Screw	4
L		M6x35mm Bolt	16

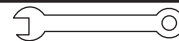
## **⚠ WARNING ⚠**

**CHOKING HAZARD** — This item contains small parts that can be swallowed. Keep children and pets away during assembly.

### TOOLS REQUIRED (not included)



Phillips Screwdriver



10mm Wrench

## **⚠ WARNING:**

Manufacturer and seller expressly disclaim any and all liability from personal injury, property damage or loss, whether direct or indirect, or incidental, resulting from the incorrect attachment, improper use, inadequate maintenance, or neglect of this product.

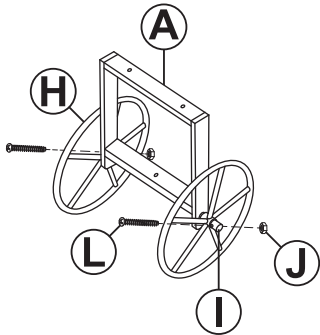
# ASSEMBLY

Review all steps and understand assembly before beginning.

**Do not fully tighten hardware until all components have been loosely assembled.**

## STEP 1

A: 1  
H: 2  
I: 1  
J: 2  
L: 2

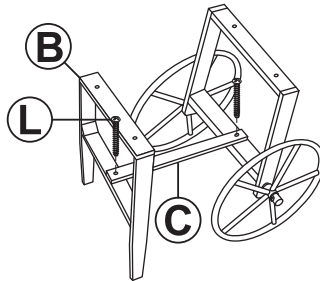


Slide Axle (I) through Back Leg Panel (A).

Secure two Wheels (H) to the axle using two Bolts (L) and two Nuts (J).

## STEP 2

B: 1  
C: 1  
L: 2

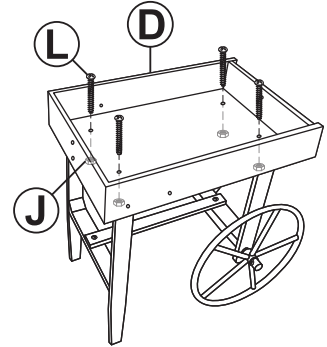


Fasten Support Bar (C) to the back leg panel using one Bolt (L).

Then, loosely fasten the opposite side of the support bar to Front Leg Panel (B) using one Bolt (L).

## STEP 3

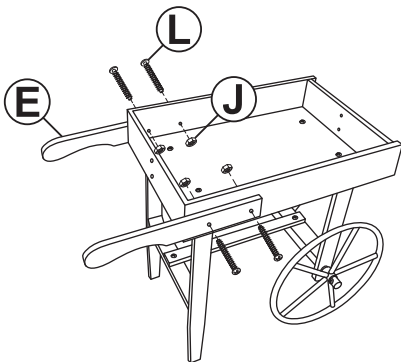
D: 1  
J: 4  
L: 4



Align Planter Box (D) with the leg panels and loosely secure using four Bolts (L) and four Nuts (J).

## STEP 4

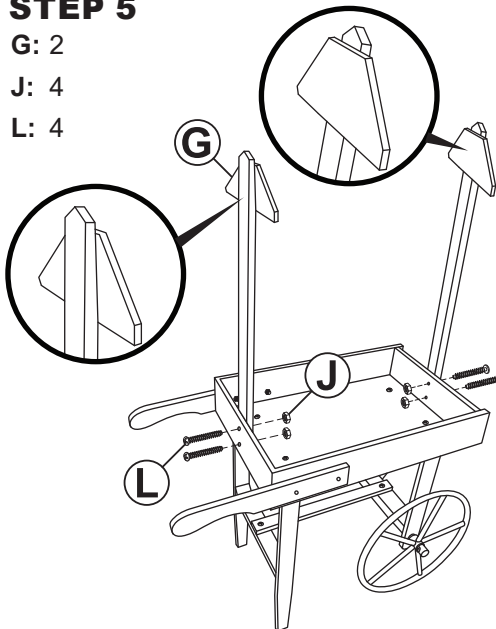
E: 2  
J: 4  
L: 4



Firmly secure two Handles (E) to the planter box using two Bolts (L) and two Nuts (J).

## STEP 5

G: 2  
J: 4  
L: 4

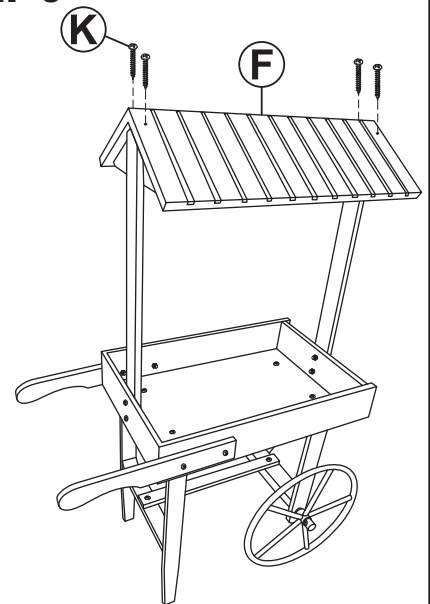


On the handle side, install one Support Post (G) on the inside of the planter box using two Bolts (L) and two Nuts (J).

On the wheel side of the cart, install one Support Post (G) on the outside of the planter box using two Bolts (L) and two Nuts (J).

## STEP 6

F: 1  
K: 4



Place Roof (F) on the support posts and secure using four Screws (K).

Finish tightening hardware from all previous steps.

# Care & Maintenance

**SAFE USE:** Only use on a flat, level surface. Do not stand, sit or climb on any part of this unit.

**INSPECT:** Periodically check hardware and tighten as necessary.

**MOVING:** Do not move the unit while it is full or in use. Do not let the wooden components drag when moving the unit as doing so will weaken assembly points and could cause breakage.

**CLEANING:** Follow the woodgrain with a soft brush or cloth to remove dust, dirt and debris. Do not use chemicals or abrasive materials as they will damage the wood and/or finish.

**CARE & STORAGE:** Maintain the appearance and prevent damage by emptying and storing this item indoors when not in use.

Wood expands when wet and contracts when it dries. Repeated and excessive exposure to moisture, rain or snow can cause damage to the product. Resulting damage includes, but is not limited to, assembly points becoming loose, wood cracking, mold and mildew growth, and hardware rust.

**MAINTENANCE:** If left untreated, the wood may weather. To maintain the appearance, apply a suitable penetrating Wood, Teak or Linseed Oil (not included) yearly, or when the wood looks particularly dry.

Clean the unit and bring it into a dry, warm, indoor location. Allow the unit to thoroughly dry before applying oil; drying may take several days. Only apply oil to wooden surfaces. Apply oil as directed by the wood oil manufacturer.

**WARNING: THE ONE-YEAR WARRANTY DOES NOT COVER DAMAGES OR DEFECTS CAUSED BY THE APPLICATION OF CHEMICAL TREATMENTS, PROTECTIVE COATINGS, OR CLEANING PRODUCTS.**

## SAFETY STATEMENTS & WARNINGS

- Do not exceed the weight capacity of the unit.
- For decorative purposes only; not intended for use as a cart — empty all tiers before attempting to move the unit.
- Inspect hardware often and tighten loose hardware as necessary.
- Do not step or climb on any part of this unit.
- Keep this unit a safe distance from heat sources such as, but not limited to, fire pits, patio heaters, and grills.
- Do not allow children to use this product.
- Do not use harsh chemicals or abrasive materials to clean the furniture.

**Any modification to the product or failure to follow recommended care will void the product warranty.**

*If you experience issues with assembly or the product was damaged during transit, please contact our customer service team through one of the methods mentioned at the top of page 1. Please have the item number and order information ready to expedite response time.*

## WARNING:

Manufacturer and seller expressly disclaim any and all liability from personal injury, property damage or loss, whether direct or indirect, or incidental, resulting from the incorrect attachment, improper use, inadequate maintenance, or neglect of this product.