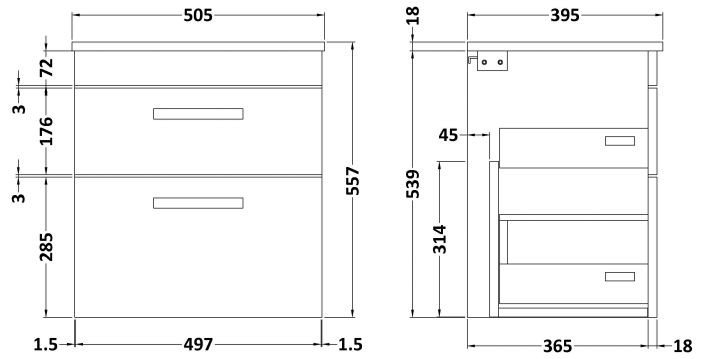


# CUSTOMER DATA SHEET

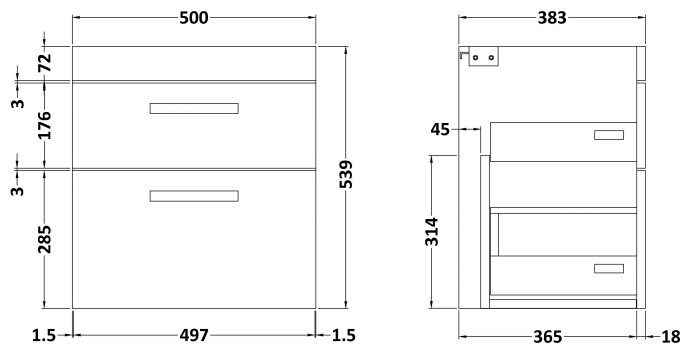
**DESCRIPTION:**

500 Wh 2-Drawer Vanity With Basin B



## CUSTOMER DATA SHEET - FURNITURE

**DESCRIPTION:** 500 Wall Hung 2-Drawer Basin Unit



### PRODUCT DIMENSIONS

| Height (mm) | Width (mm) | Depth (mm) | Nett Wgt Kg |
|-------------|------------|------------|-------------|
| 538         | 500        | 383        | 26          |

### PACKAGING DIMENSIONS

| Height (mm) | Width (mm) | Depth (mm) | Gross Wgt Kg |
|-------------|------------|------------|--------------|
| 560         | 520        | 405        | 26           |

### PACKAGING DATA

|            |                     |              |             |
|------------|---------------------|--------------|-------------|
| Box Colour | Brown Cardboard Box |              |             |
| Box Qty    | 1                   | Label Colour | White Label |
| Label Size | 100 x 50            | Label Qty    | 2           |

### OUTER BOX DIMENSIONS (If Applicable)

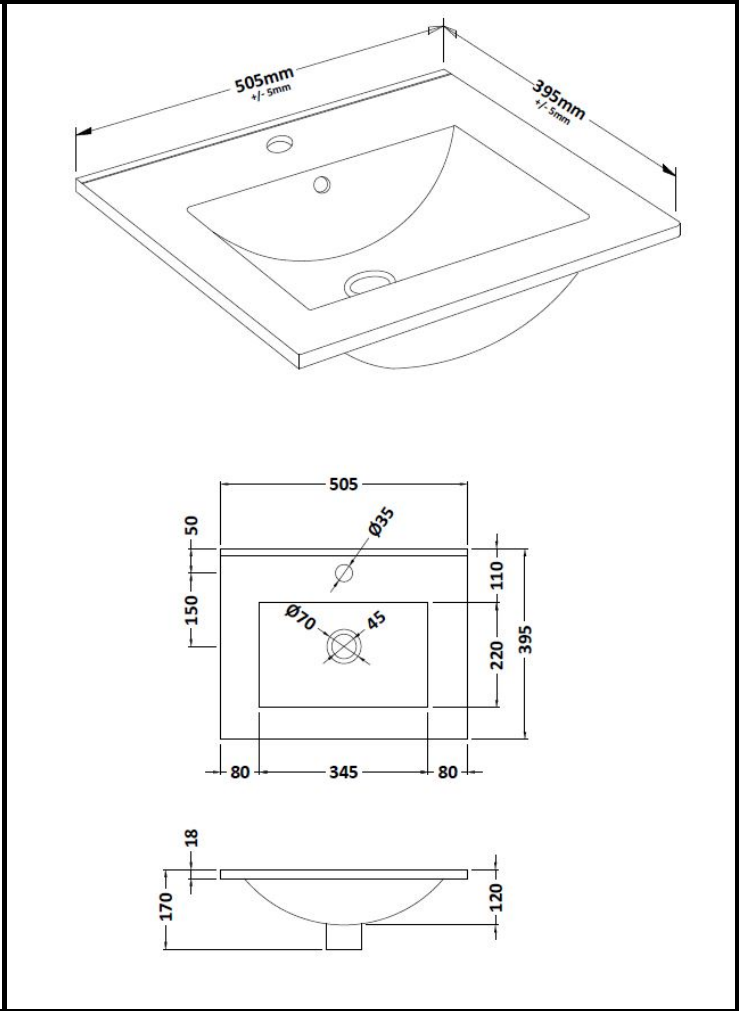
| Height (mm) | Width (mm) | Depth (mm) | Gross Wgt Kg |
|-------------|------------|------------|--------------|
|             |            |            |              |

### PRODUCT DETAILS

|                     |                           |     |    |     |
|---------------------|---------------------------|-----|----|-----|
| Country of Origin   | United Kingdom            |     |    |     |
| Fitting Instruction | No                        |     |    |     |
| Constr' Method      | Cam & Wood Dowel          |     |    |     |
| Cabinet Finish      | MFC Smooth Matt           |     |    |     |
| Cab Thickness (mm)  | 18                        |     |    |     |
| Drawer Included     | Yes                       |     |    |     |
| No of Shelves       | 0                         |     |    |     |
| Hinge Inc'          | Not Applicable            |     |    |     |
| Fixings Inc'        | Yes                       |     |    |     |
| Handle Inc'         | Yes, Supplied             |     |    |     |
| Handle Type         | Strap                     |     |    |     |
| Certification       | FSC                       | Yes | CE | N/A |
| Colour              | Stone Grey                |     |    |     |
| Constr' Type        | Rigid                     |     |    |     |
| Fascia Finish       | MFC Smooth Matt           |     |    |     |
| Fas Thickness (mm)  | 18                        |     |    |     |
| Drawer Type         | 80mm High Metal Softclose |     |    |     |
| Hinge Type          | Not Applicable            |     |    |     |
| Adjustable Legs     | No, Not Required          |     |    |     |
| Handle Style        | Contemporary              |     |    |     |
| Waste Shroud        | Yes                       |     |    |     |

# CUSTOMER DATA SHEET - CERAMICS

**DESCRIPTION:** 500mm Minimalist Basin 1Th



| PRODUCT DIMENSIONS |            |            |             |
|--------------------|------------|------------|-------------|
| Height (mm)        | Width (mm) | Depth (mm) | Nett Wgt Kg |
| 170                | 500        | 390        | 9           |

| PACKAGING DIMENSIONS |            |            |              |
|----------------------|------------|------------|--------------|
| Height (mm)          | Width (mm) | Depth (mm) | Gross Wgt Kg |
| 400                  | 520        | 200        | 9            |

| PACKAGING DATA |                     |              |             |
|----------------|---------------------|--------------|-------------|
| Box Colour     | Brown Cardboard Box |              |             |
| Box Qty        | 1                   | Label Colour | White Label |
| Label Size     | 105 x 50            | Label Qty    | 1           |

| OUTER BOX DIMENSIONS (If Applicable) |            |            |              |
|--------------------------------------|------------|------------|--------------|
| Height (mm)                          | Width (mm) | Depth (mm) | Gross Wgt Kg |
|                                      |            |            |              |

| PRODUCT DETAILS     |       |
|---------------------|-------|
| Country of Origin   | China |
| Fitting Instruction | No    |

|                  |                |      |             |
|------------------|----------------|------|-------------|
| Certification    | CE             | WRAS | WRAS Number |
| Product Material | Vitreous China |      |             |

| PANS/BIDETS |                |               |                |
|-------------|----------------|---------------|----------------|
| Trap Style  | Not Applicable | Includes Seat | Not Applicable |

| CISTERNS   |                |                |                |
|------------|----------------|----------------|----------------|
| Fittings   | None Included  | Operating Type | Not Applicable |
| Lever Type | Not Applicable |                |                |

| SEAT       |                |                |                |
|------------|----------------|----------------|----------------|
| Type       | Not Applicable | Function       | Not Included   |
| Material   | Not Applicable |                |                |
| Hinge Type | Not Relevant   | Hinge Material | Not Applicable |

| BASINS           |              |                  |         |
|------------------|--------------|------------------|---------|
| Tap Hole         | One Taphole  | Chain Stay Hole  | No      |
| Template         | Not Required | Waste Type Req'd | Slotted |
| Overflow Incl.   | Yes          | Overflow Cover   | Yes     |
| Inner Bowl Depth | 120mm        |                  |         |

| GENERAL         |    |
|-----------------|----|
| Fixing Supplied | No |