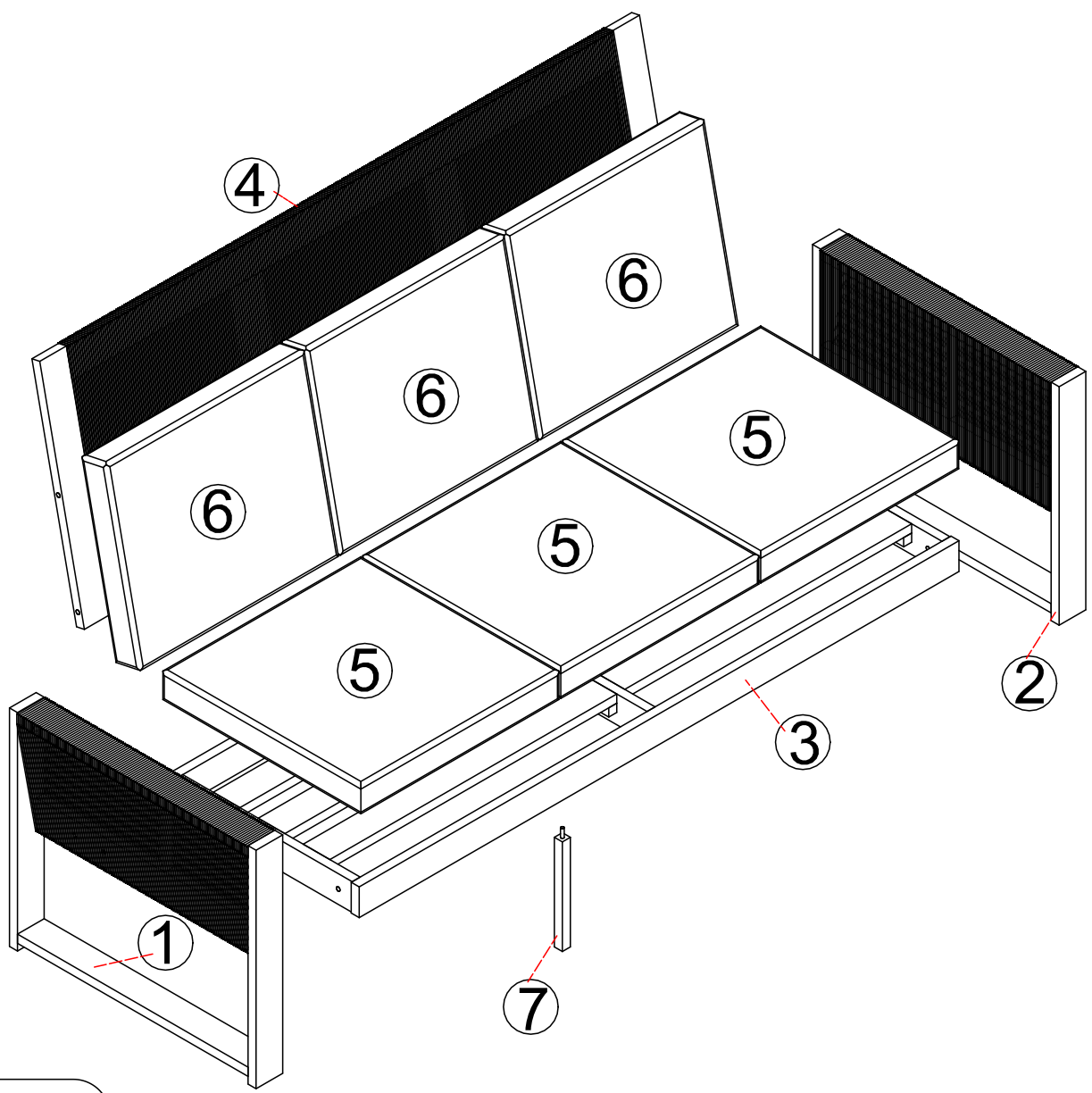


INSTRUCTION MANUAL

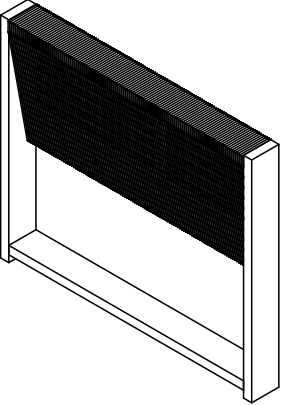
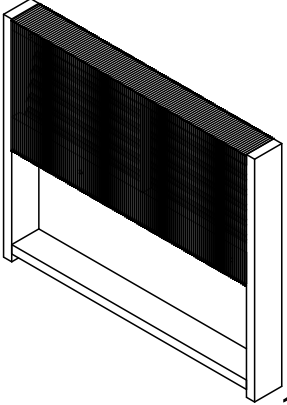
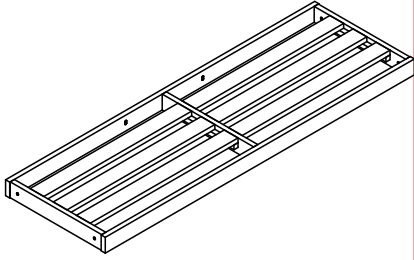
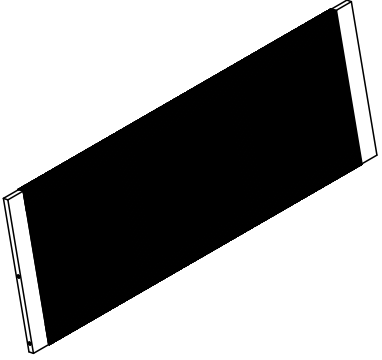
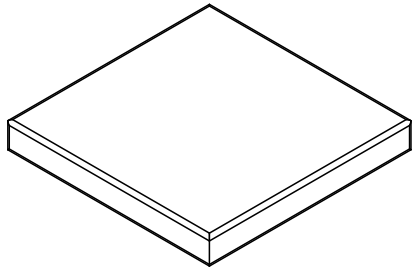
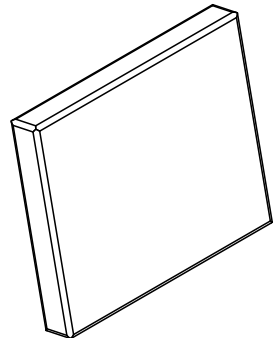

Assembly Instruction




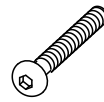
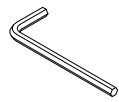
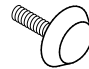
2 PERSONS



PARTS LIST

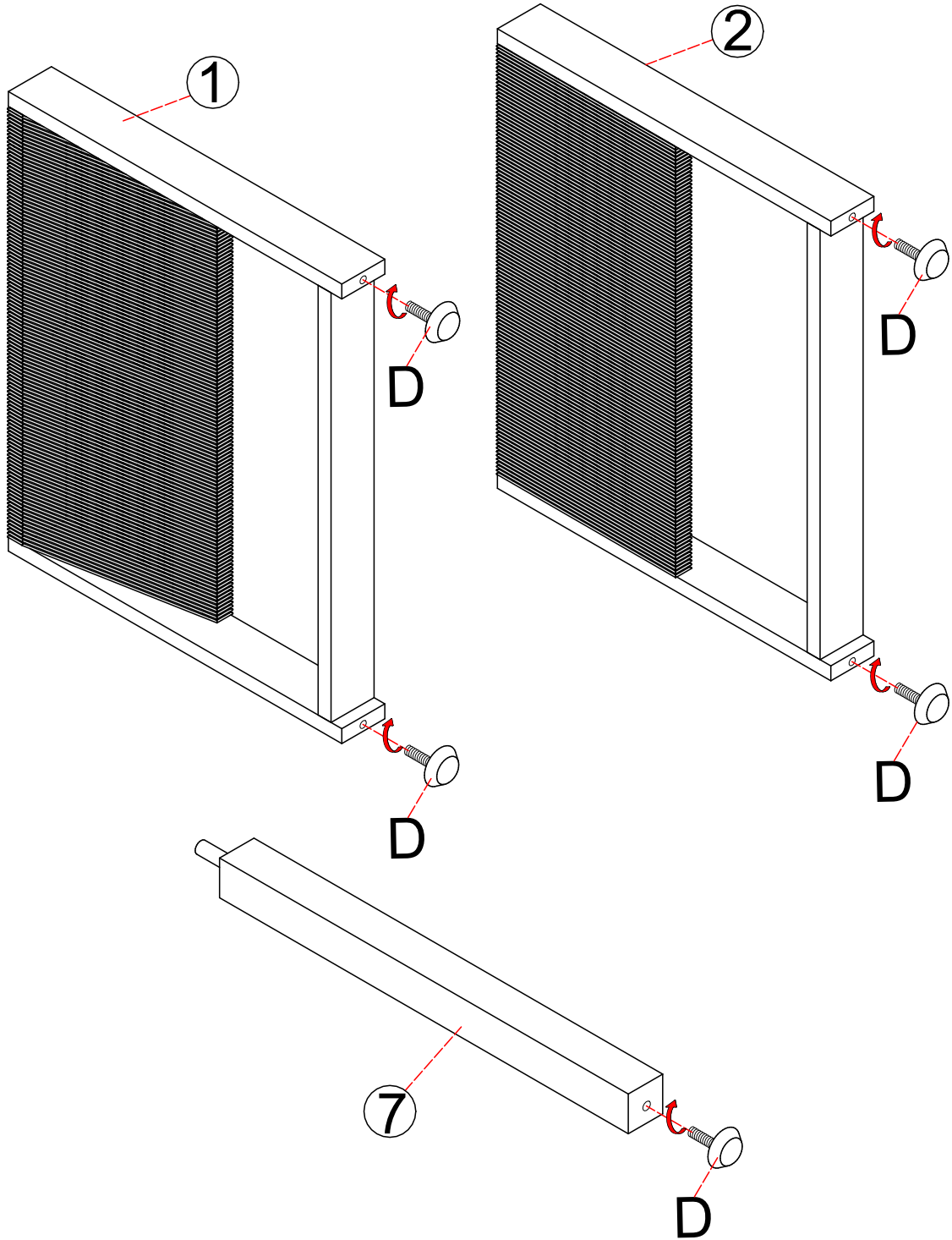
<p>①</p>  <p>1PC</p>	<p>②</p>  <p>1PC</p>	<p>③</p>  <p>1PC</p>
<p>④</p>  <p>1PC</p>	<p>⑤</p>  <p>3PC</p>	<p>⑥</p>  <p>3PC</p>
<p>⑦</p>  <p>1PC</p>		

HARDWARE LIST

<p>A</p>  <p>M8x50mm 6PCS</p>	<p>B</p>  <p>M8x60mm 2PCS</p>	<p>C</p>  <p>1PC</p>	<p>D</p>  <p>5PCS</p>
--	--	---	--

STEPS

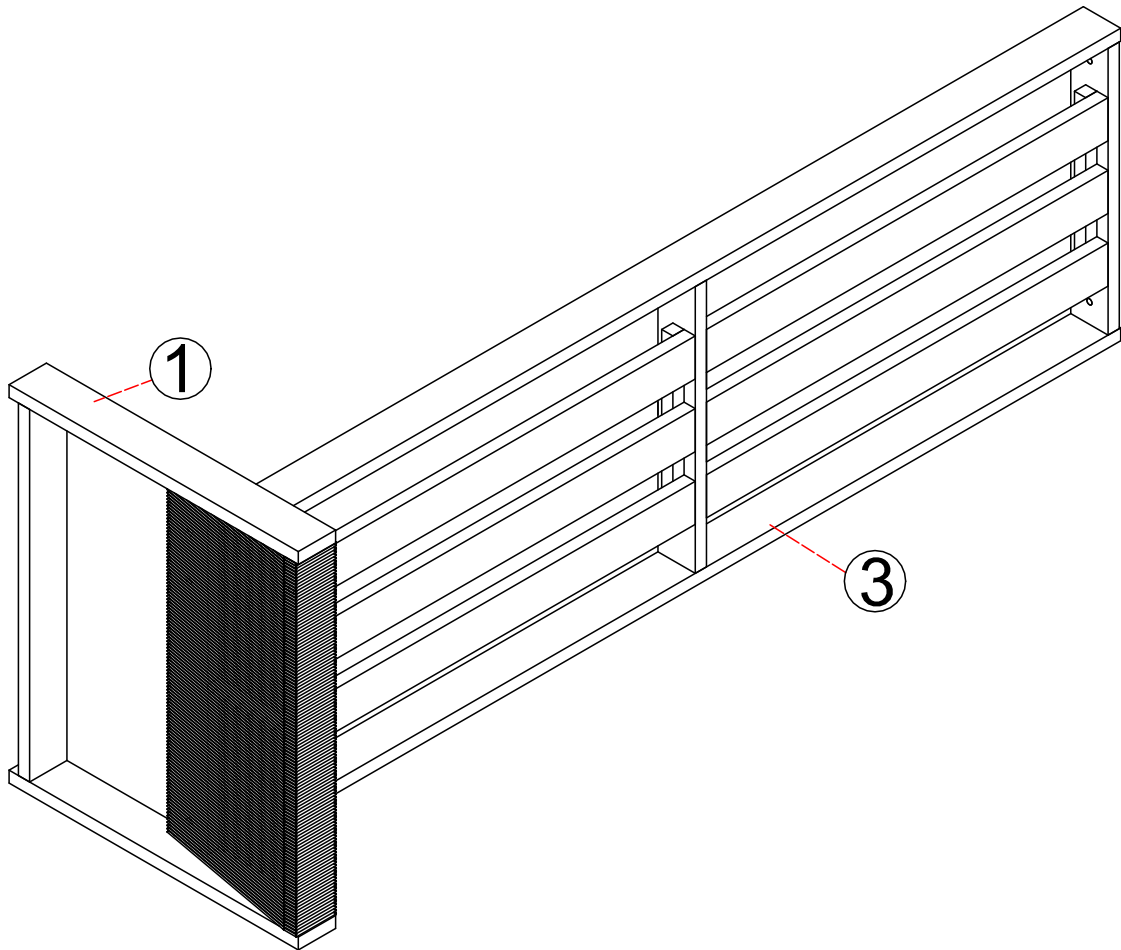
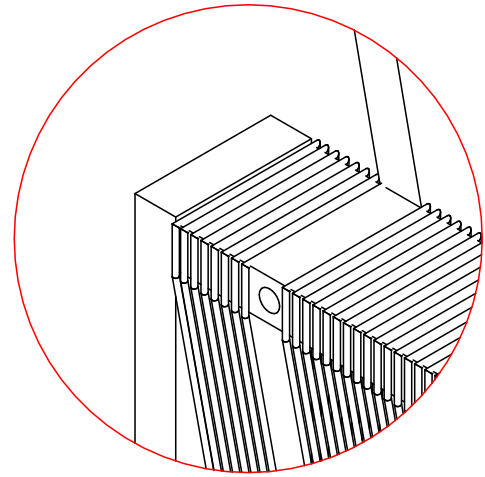
STEP-1  D x 5PCS



STEPS



STEP-2

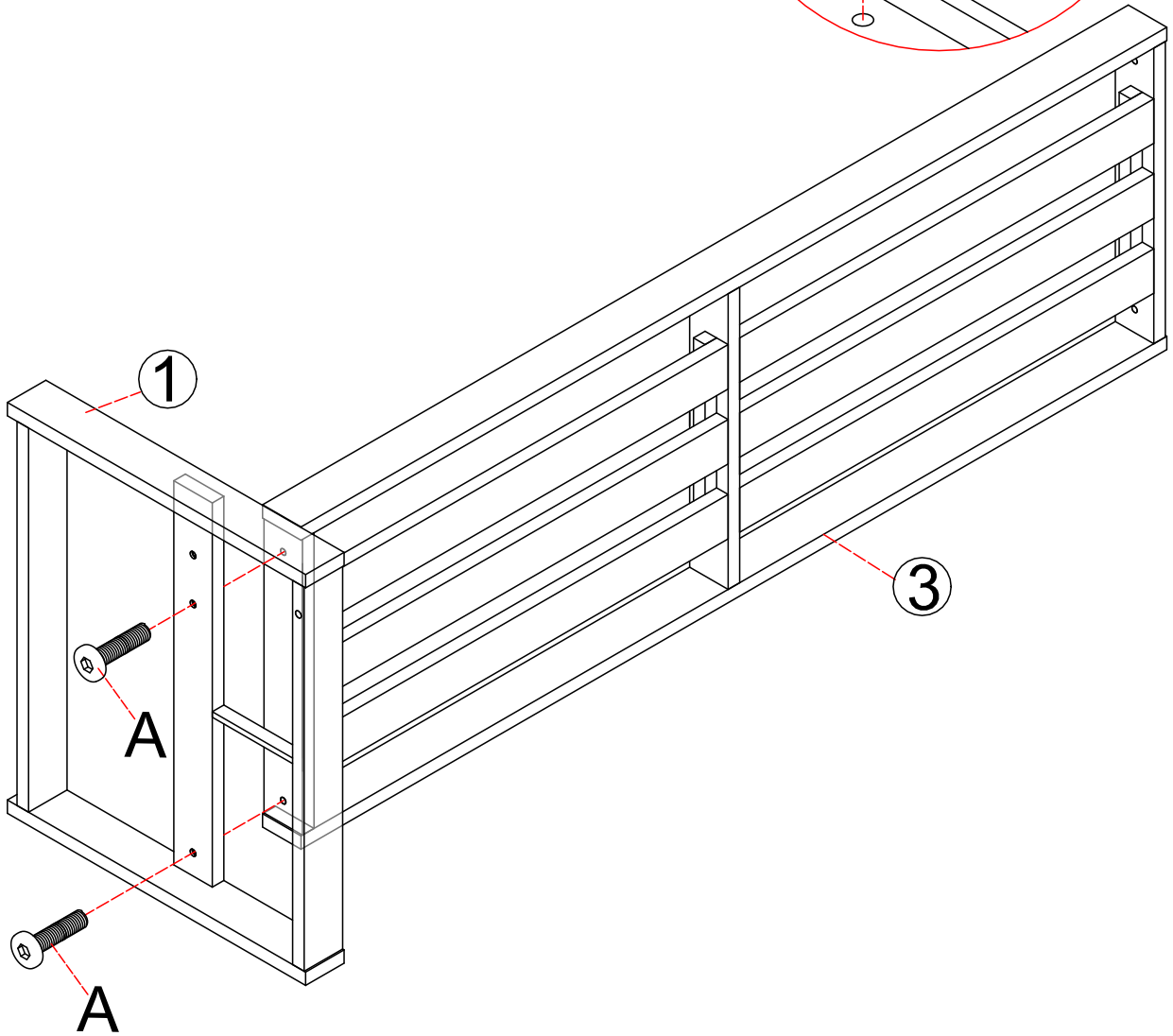
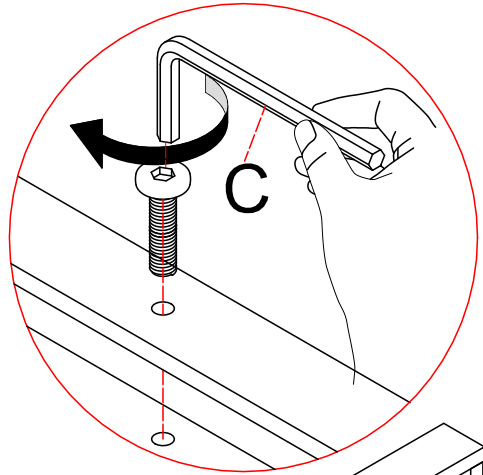
You need to unplug the canes and insert the screws if the canes block the assemble hole.



STEPS

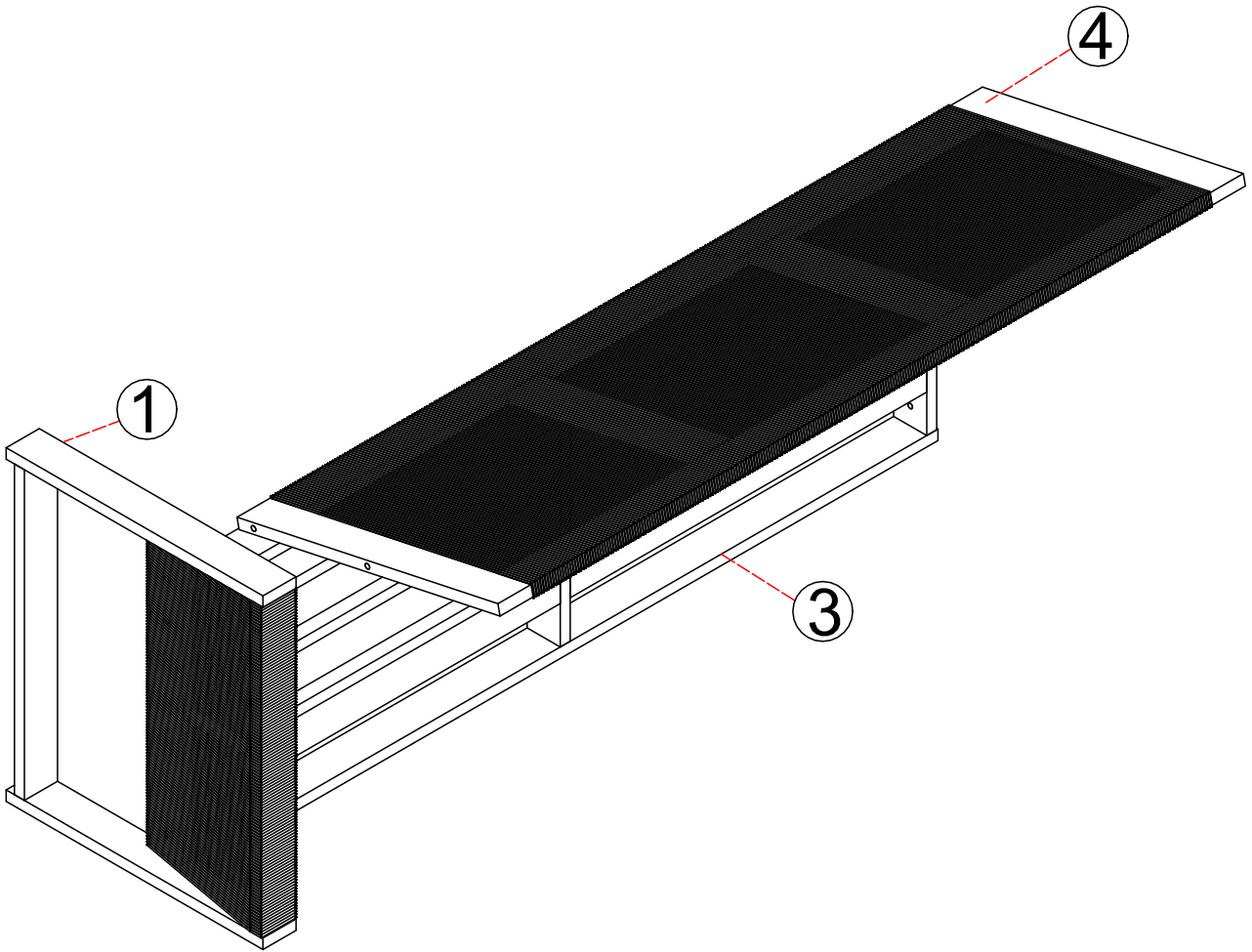
STEP-3

	A x 2PCS
	C






STEPS

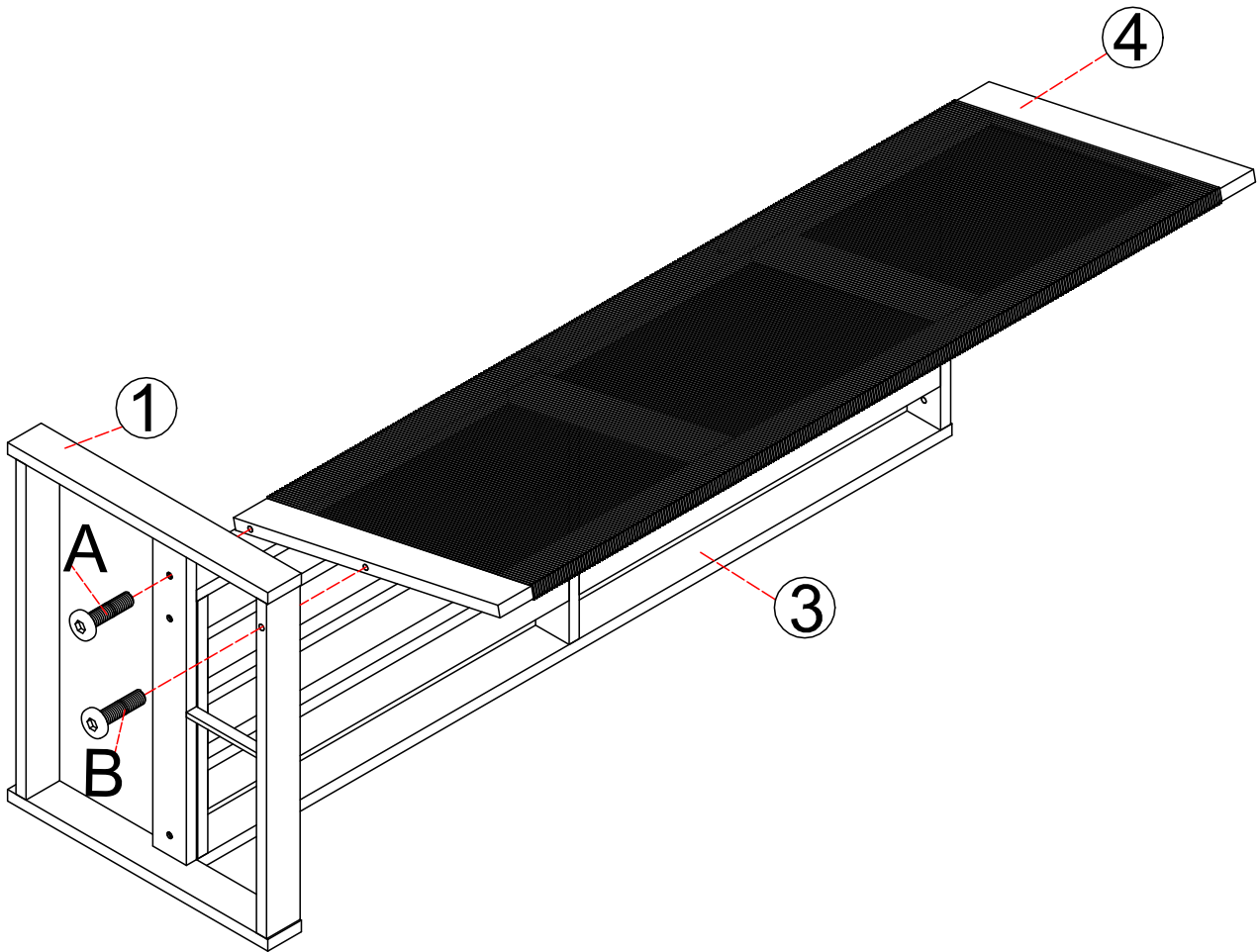
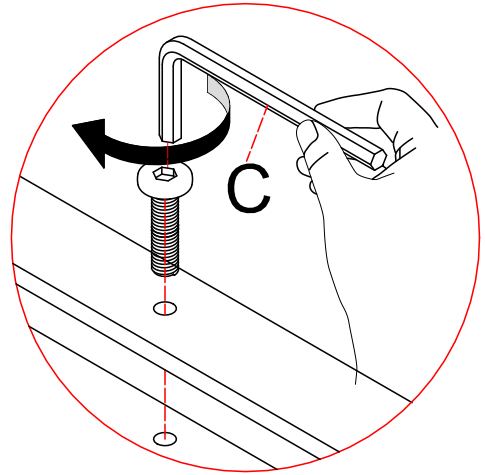
STEP-4



STEPS

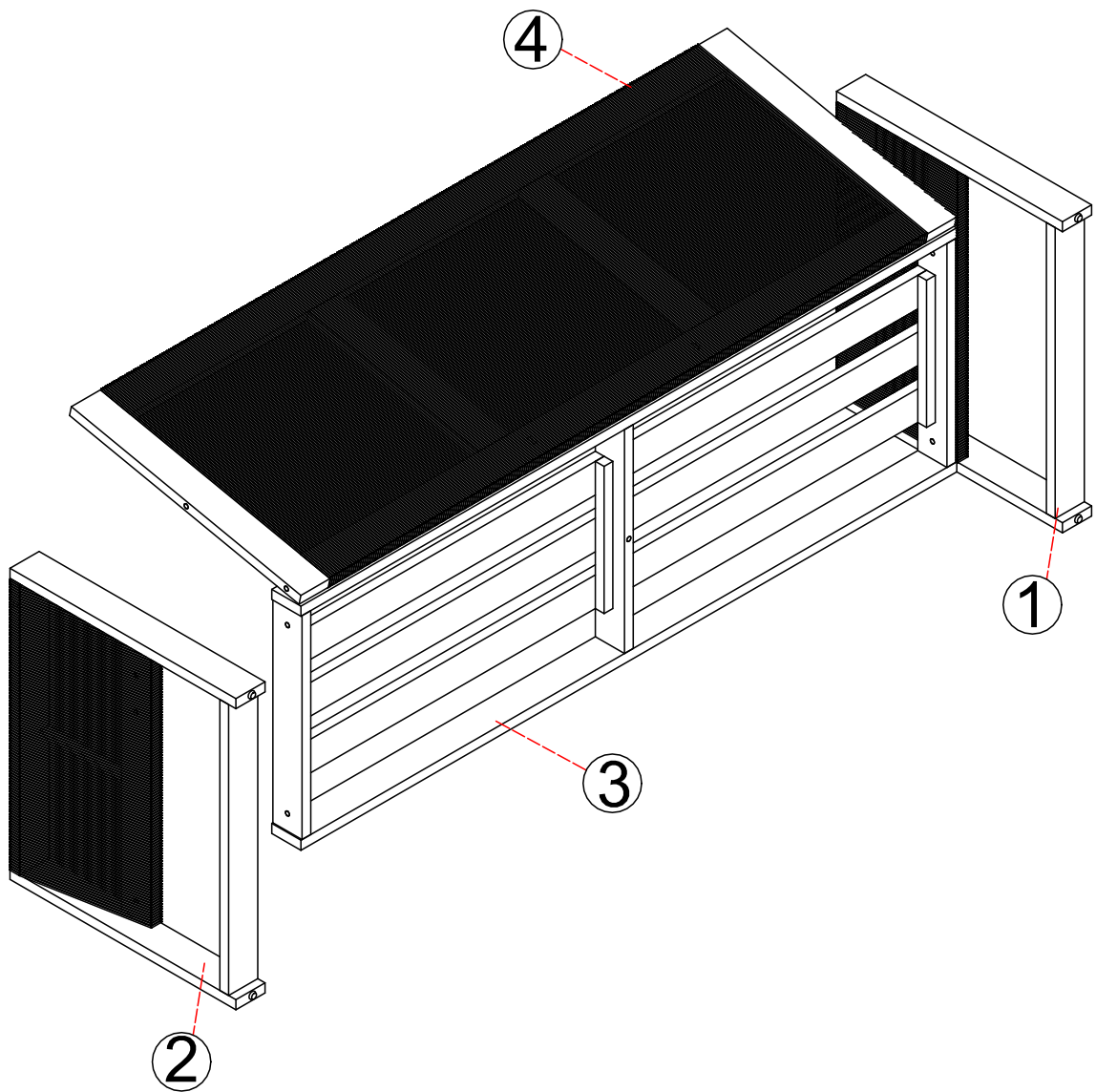
STEP-5

	A x 1PC
	B x 1PC
	C






STEPS

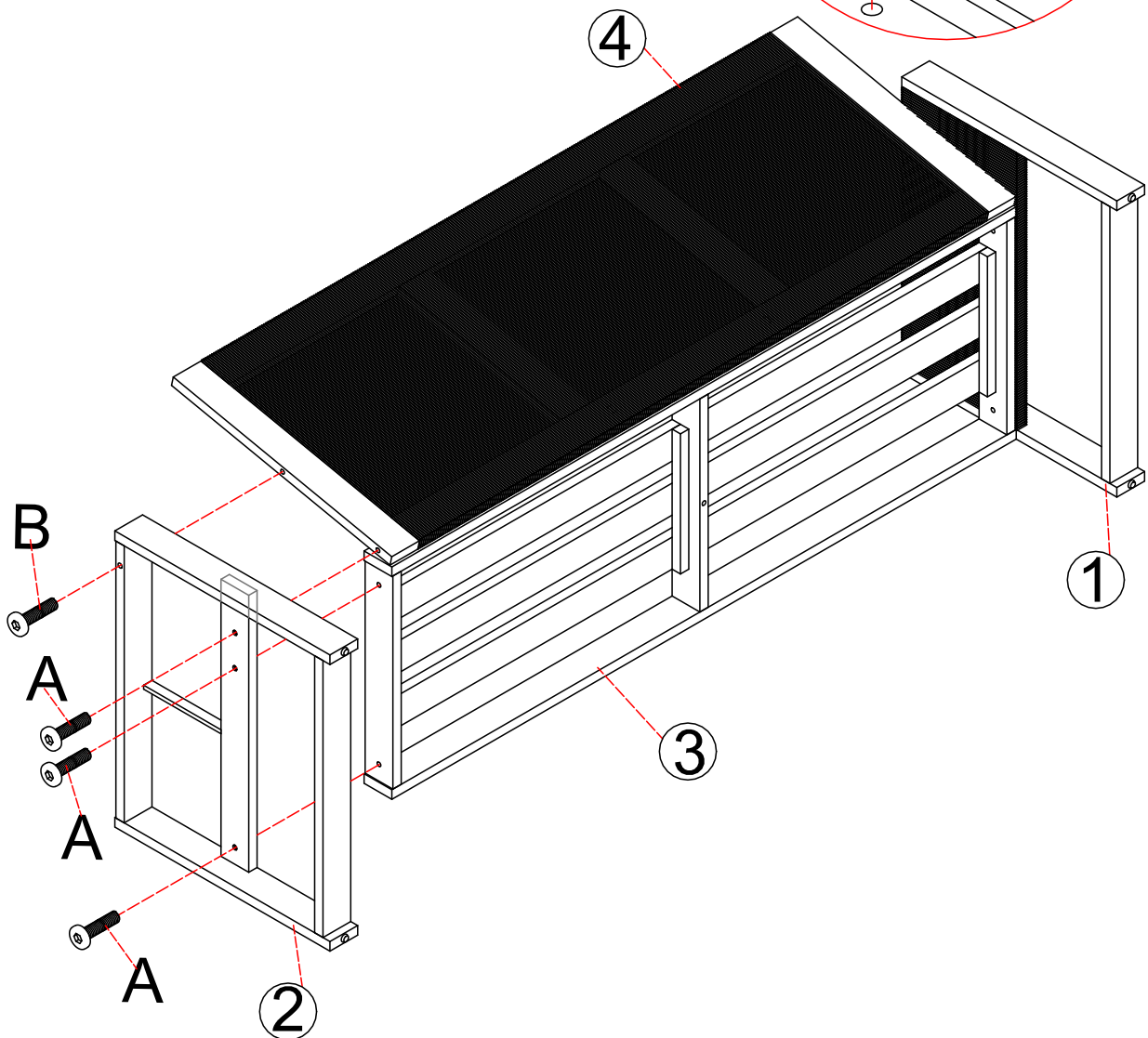
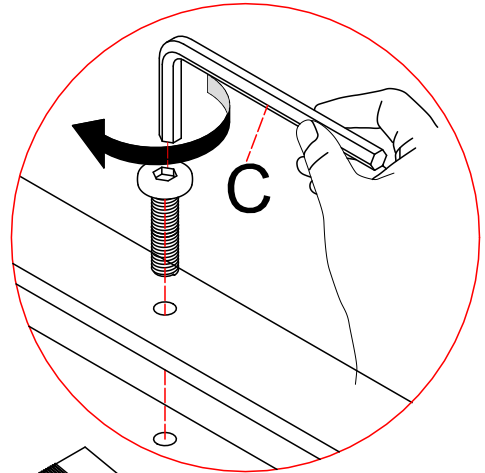
STEP-6



STEPS

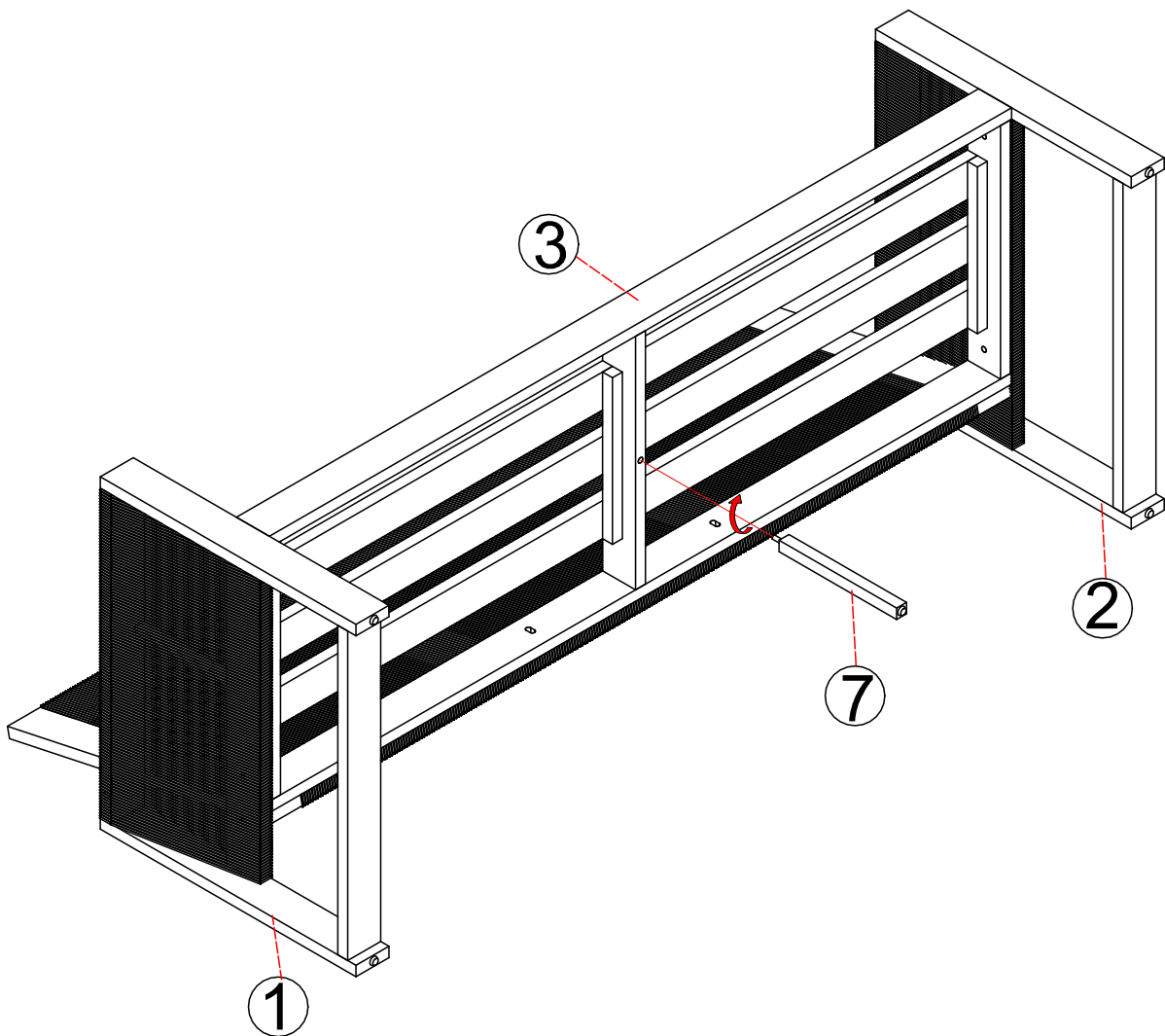
STEP-7

	A x 3PCS
	B x 1PC
	C



STEPS

STEP-8



STEPS

STEP-9

