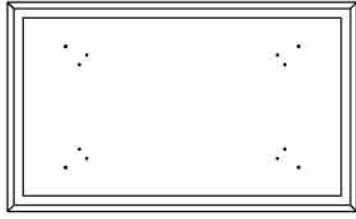
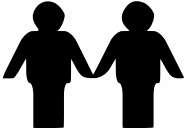


ASSEMBLY INSTRUCTION



A × 1pc



B × 4pcs



C × 12pcs
M8*20mm
Spart part1



D × 1pc
6#
Spart part2



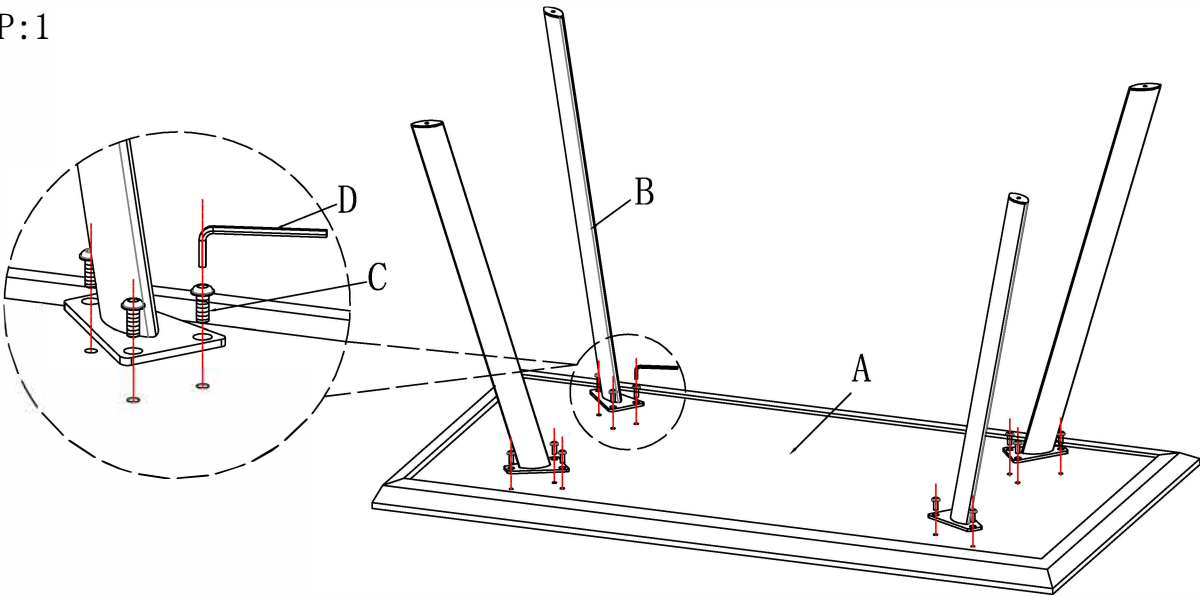
C × 2pcs
M8*20mm



M8/ø22mm × 1PC



STEP:1



STEP:2

