

ASSEMBLY INSTRUCTIONS



ITEM # 30000-C WINSTON 1 DINING CHAIR

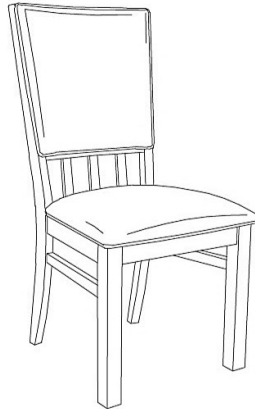
Please read instructions carefully.

Remove all wrapping materials, staples and packing straps from the carton. Refer to Parts List and Hardware List and ensure they are complete before you start assembling. Place all wooden parts on a clean, flat and soft surface (e.g. carpet or rug) to prevent parts from being scratched.

- CAUTIONS:
- 1) DO NOT FULLY TIGHTEN BOLTS AND NUTS UNTIL ALL PARTS HAVE BEEN ASSEMBLED.
 - 2) DO NOT OVER-TIGHTEN BOLTS AND NUTS UNTIL ALL PARTS HAVE BEEN ASSEMBLED.
 - 3) KEEP ALL HARDWARE PARTS OUT OF REACH CHILDREN.


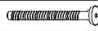




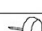
PARTS LIST (FOR 2 NOS. OF CHAIR)

	PARTS	QTY.
P1	SEAT	2
P2	FRONT LEG LEFT	2
P3	FRONT LEG RIGHT with sticker 	2
P4	BACK LEG FRAME	2
P5	SIDE STRETCHER LEFT	2
P6	SIDE STRETCHER RIGHT with sticker 	2






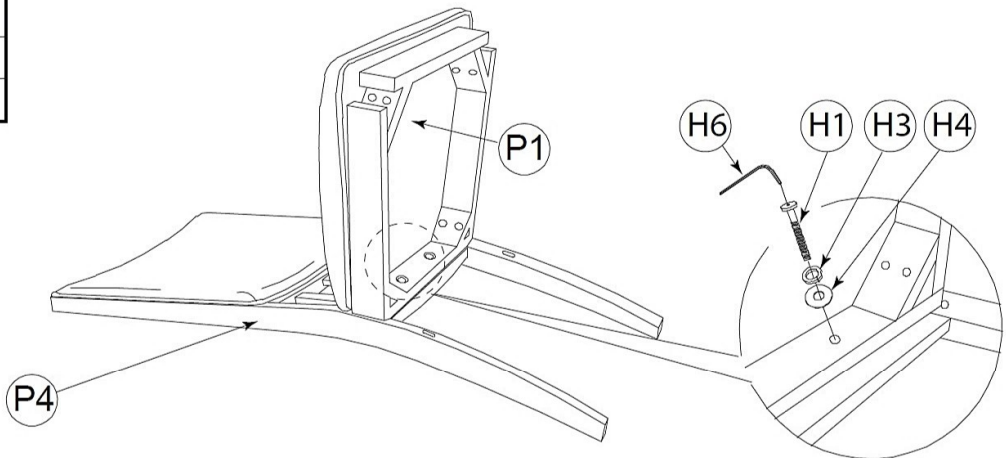
COMPLETE ASSEMBLY

HARDWARE LIST (FOR 2 NOS. OF CHAIR)


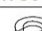
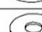
	DESCRIPTION	QTY.
H1	M6 x 35mm JCBC SCREW 	4
H2	M6 x 80mm JCBC SCREW 	16
H3	SPRING WASHER 	20
H4	FLAT WASHER 	20
H5	M4 x 38mm CSK SCREW 	8
H6	ALLEN KEY 	1
H7	NAIL LEG 	8

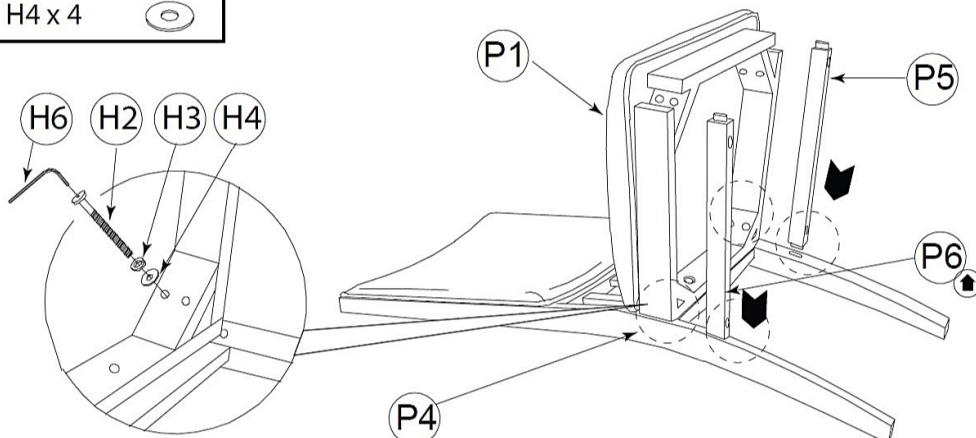
STEP 1

H1 x 2	 M6 x 35mm
H3 x 2	
H4 x 2	

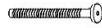


STEP 2

H2 x 4	 M6 x 80mm
H3 x 4	
H4 x 4	

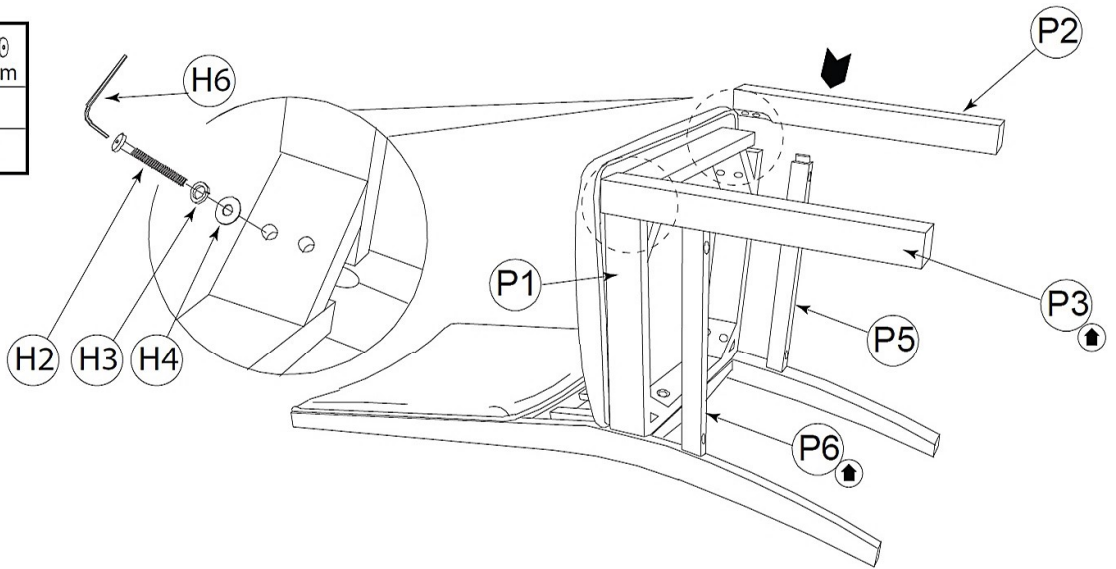


STEP 3


H2 x 4  M6 x 80mm

H3 x 4 

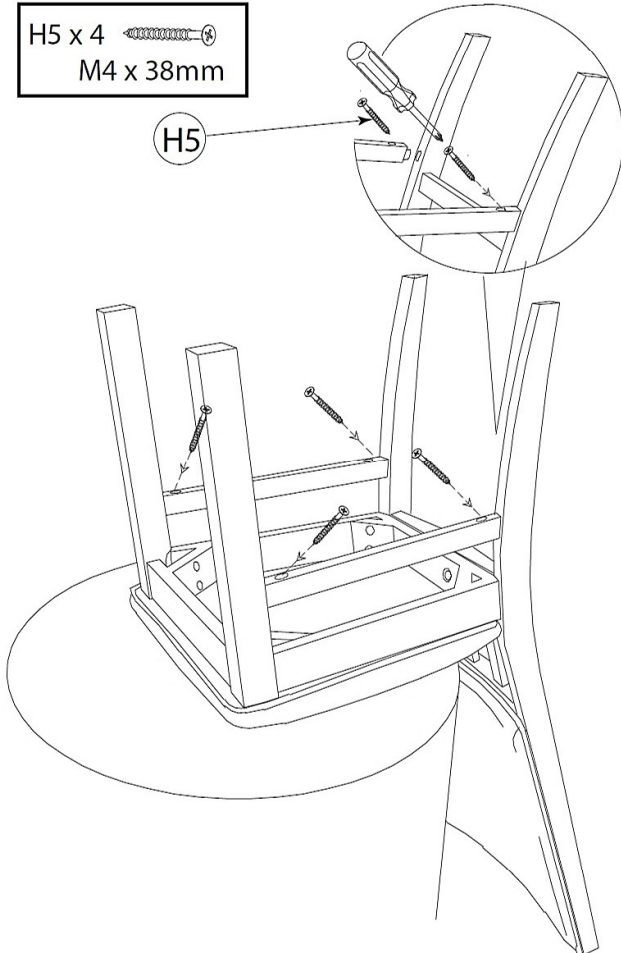
H4 x 4 



STEP 4

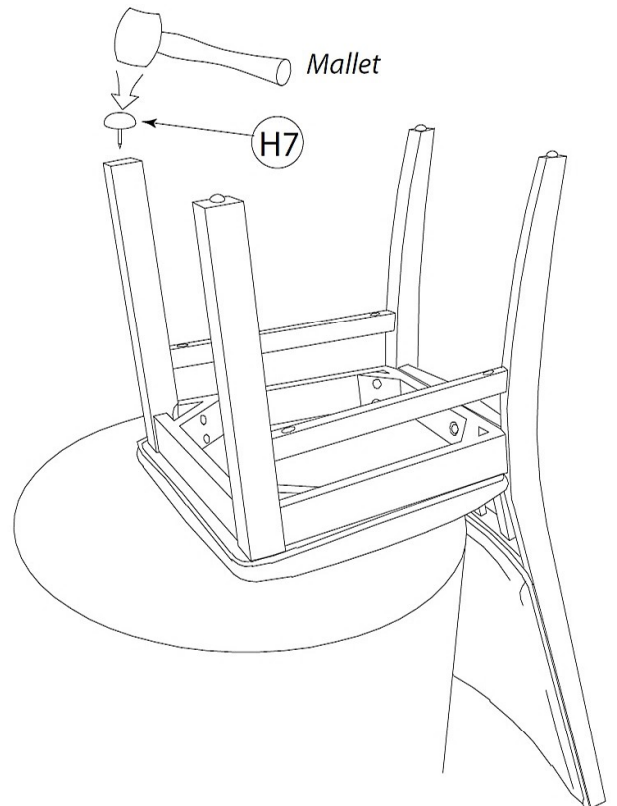
H5 x 4  M4 x 38mm

H5



STEP 5

H7 x 4 



CARE AND MAINTENANCE

- SAFETY** - To avoid any risk of suffocation to children and animals, dispose off plastic bags immediately.
- CLEANING** - Clean with damp cloth and mild detergent. Do not use bleach or abrasive products.
- FITTINGS** - Tighten bolts and nuts from time to time to ensure all parts of product are securely fitted.