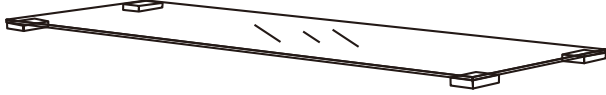
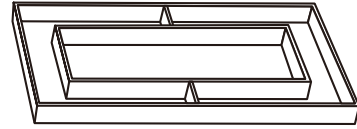


# ASSEMBLY INSTRUCTION

1.-1PC



2.-2PCS



A.-8PCS



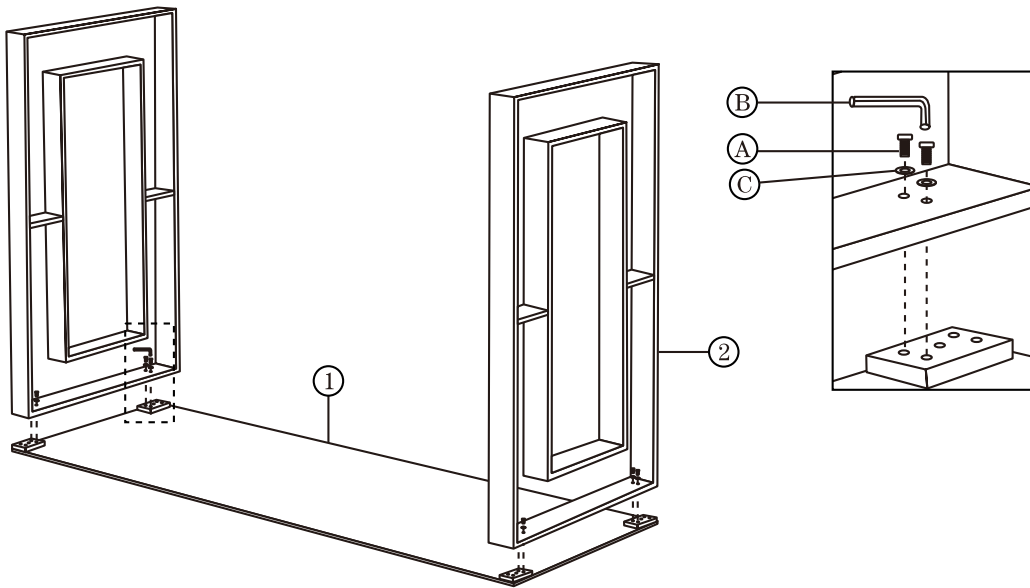
B.-1PC



C.-8PCS



1



2

