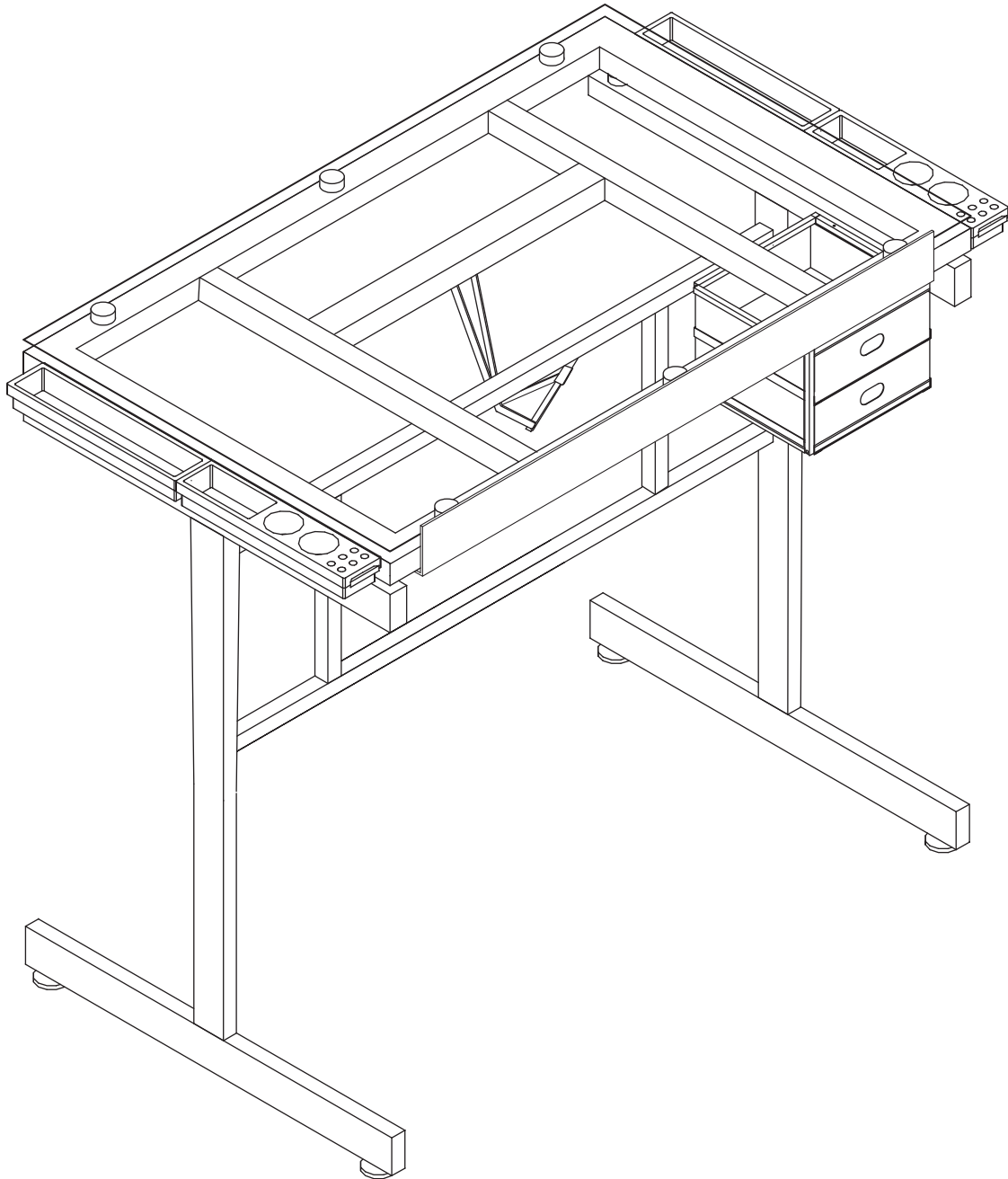


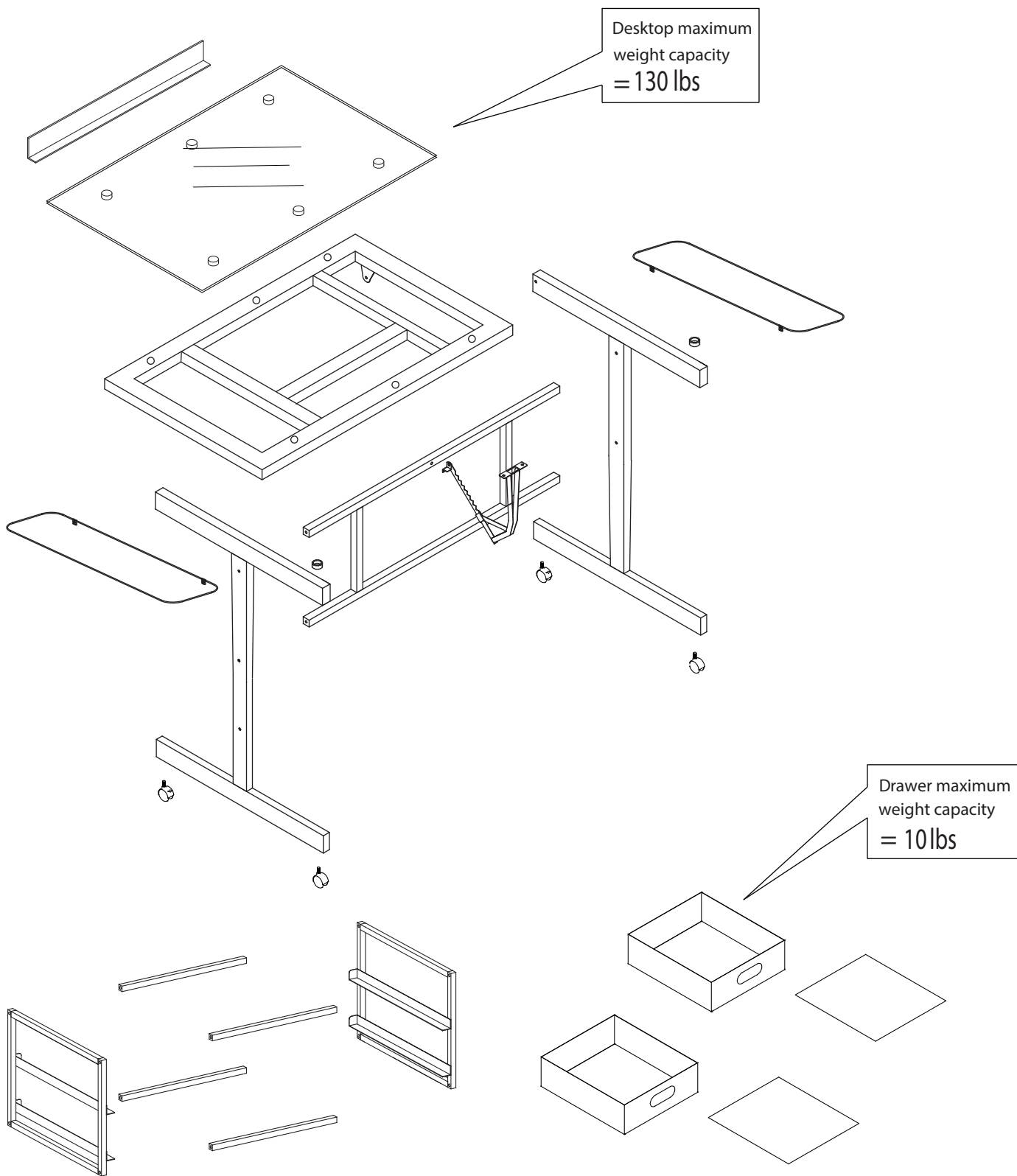
ASSEMBLY INSTRUCTIONS

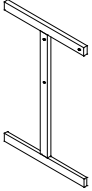
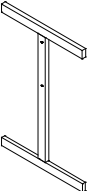
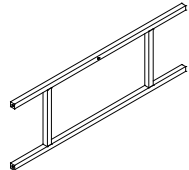
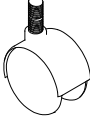
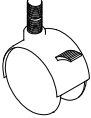

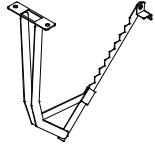
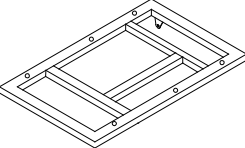
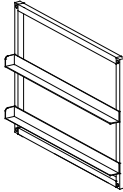
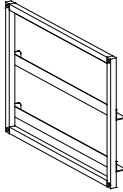
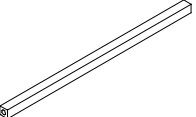
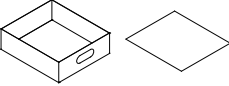
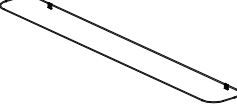
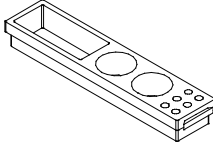
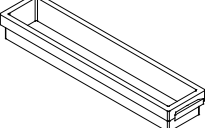
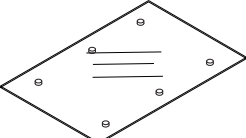
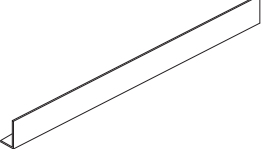
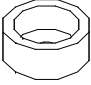

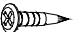




GLASS TOP CRAFT STATION



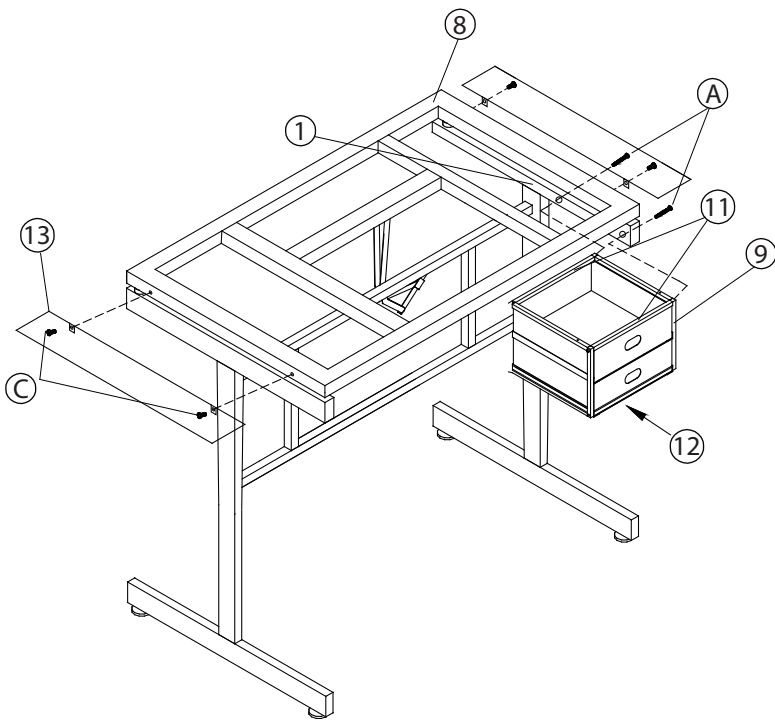
ASSEMBLY OVERVIEW

THE DRAWING BELOW SHOWS THE BACK OF THE DESK.



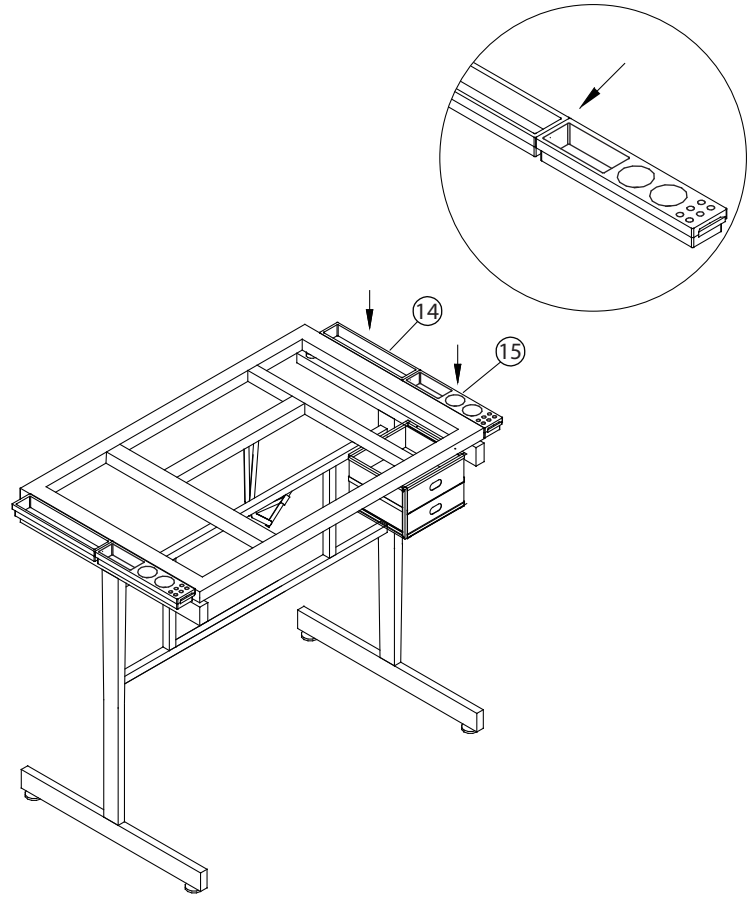
 1x1	 2x1	 3x1	 4x2	 5x2
 6x4	 7x1	 8x1	 9x1	 10x1
 11x4	 12x2	 13x2	 14x2	 15x2
 16x1	 17x1	 18x2		
 Ax6 M6x45mm	 Bx2 M4x14mm	 Cx10 M6x12mm	 Dx2 M6x15mm	 Ex12 M6x25mm
				

STEP 5

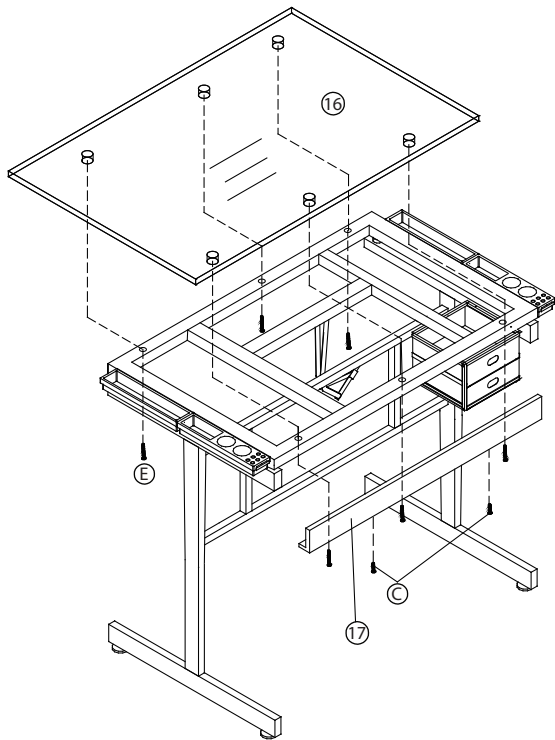




-  C x 4
-  A x 2

STEP 6



STEP 7



-  E x 6
-  C x 2

STEP 8

