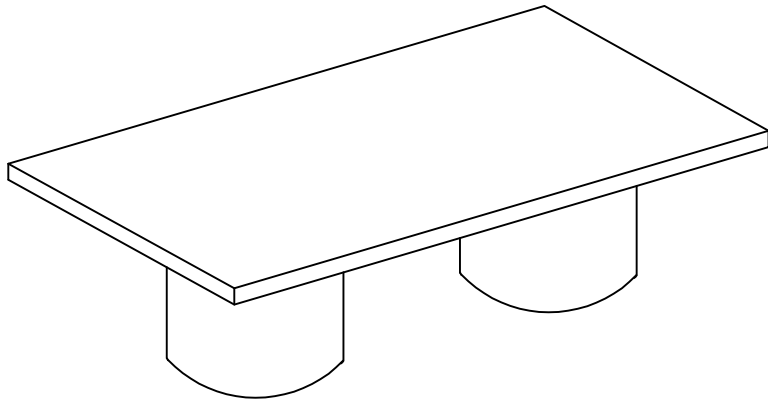



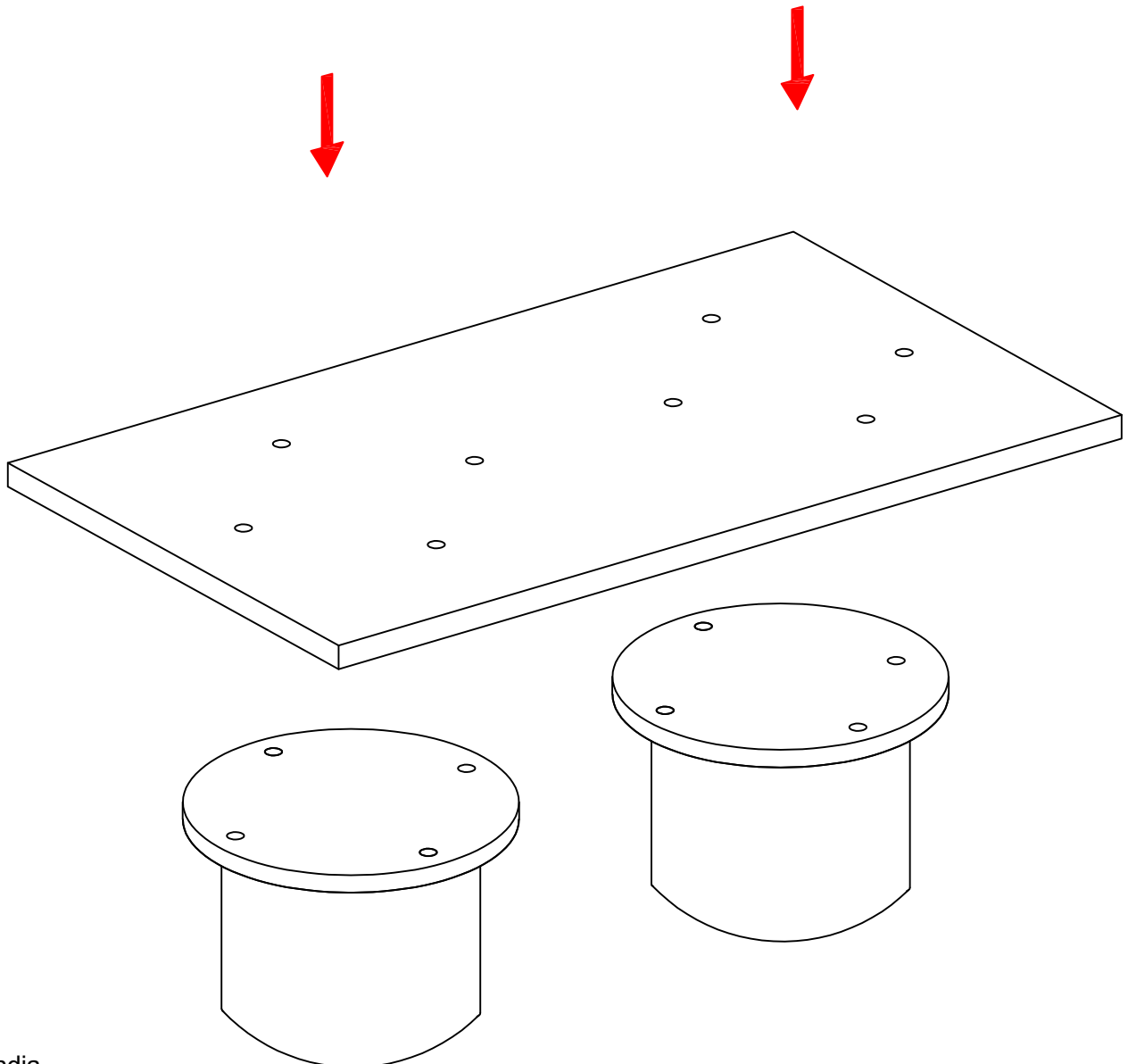


ASSEMBLY INSTRUCTIONS FOR ANGELO COFFEE TABLE

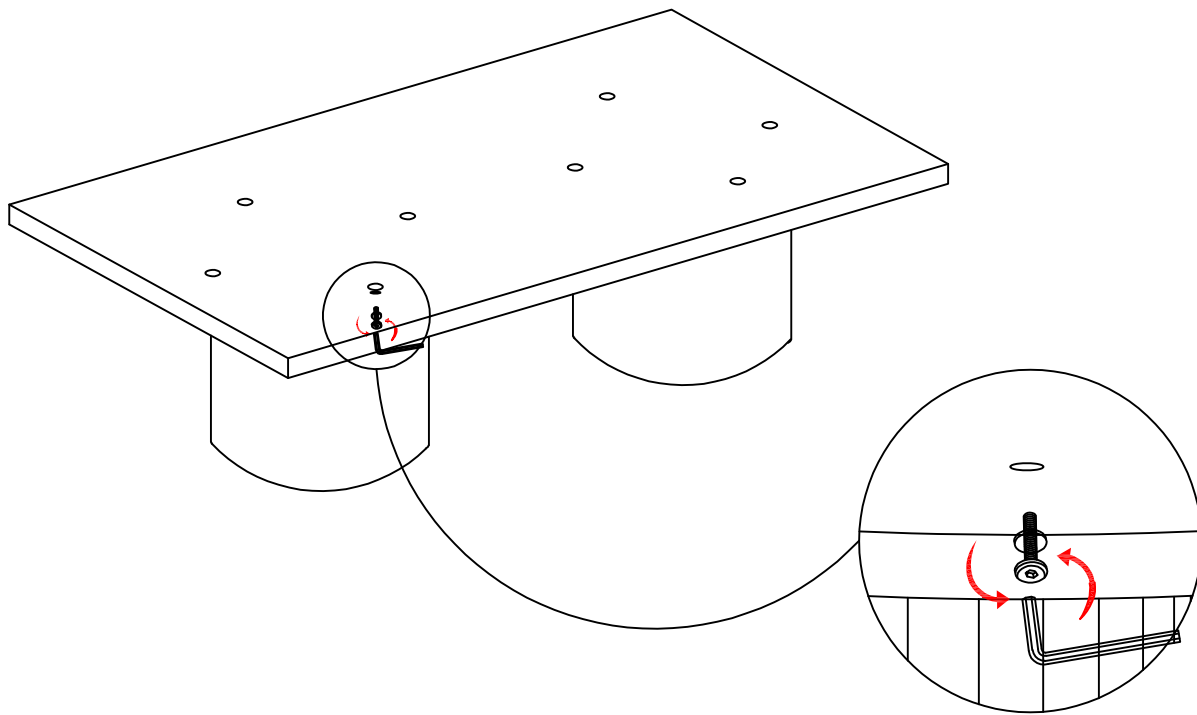


Hardware List				
A		Allen bolt	8x35mm	8
B		Flat washer	M10	8
C		Allen key	5mm	1

Step-1



Step-2



Step-3

Check for Stability - Place the furniture in its final position on a level surface. If it wobbles or doesn't sit evenly, the floor levelers need adjusting.

Locate the Levelers - These are small adjustable feet found at the bottom corners of your furniture.

Adjust as Needed - Using your hand or a wrench, turn the levelers clockwise to raise or counterclockwise to lower the furniture. Make small adjustments and check stability after each turn.

