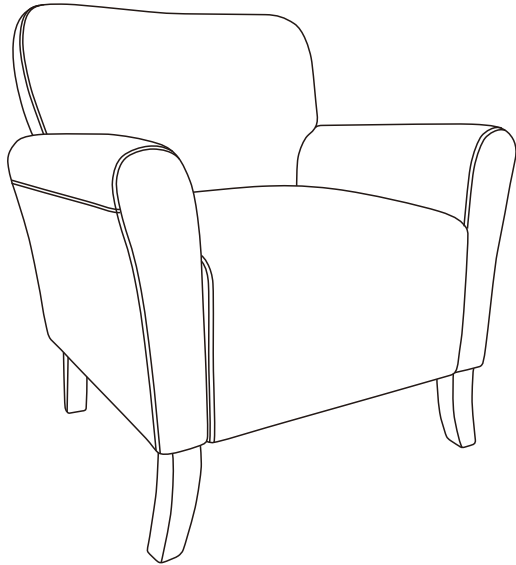

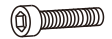
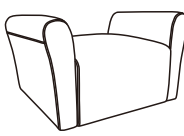



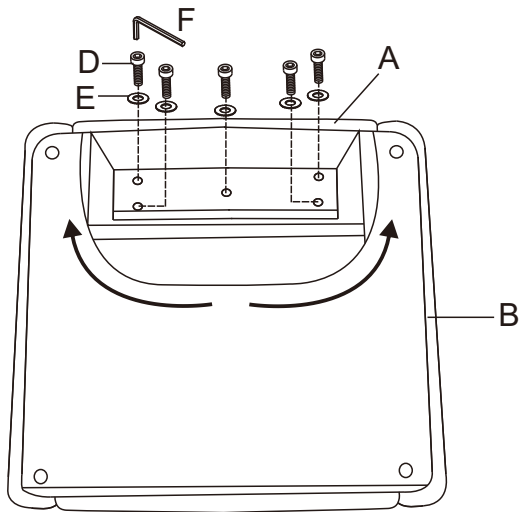


ASSEMBLY INSTRUCTIONS

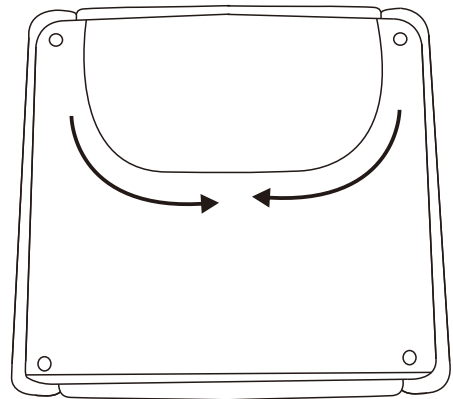


Ax1 	Dx5 
Bx1 	Ex5 
Cx4 	Fx1 

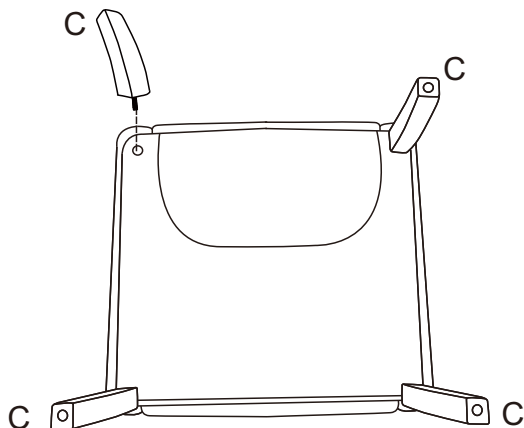
1



2



3



4

