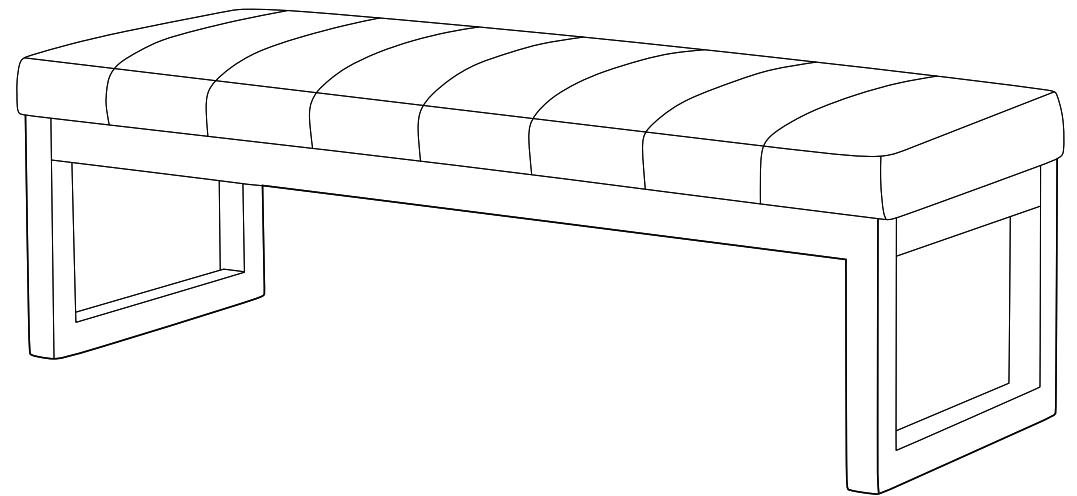


Instruction Manual

User Guide

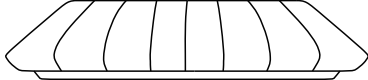
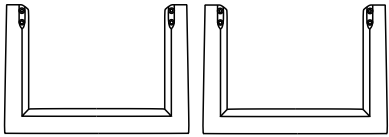




Make life better

Warm tips: We are proud of high-quality products and satisfactory service, but the goods may encounter special circumstances during transportation, if you receive the goods with missing or damaged parts, please take photos and contact our customer service before returning the goods , we will customize a solution that satisfies you, thank you.



BENCH

Instruction

NO	DESCRIPTION		QTY
A	Seat Frame		1
B	Armrests		2
C	Screw	Φ 5/16"*2-3/8"L 	8
D	Flat Washer	Φ 5/16"*22MM 	8
E	Lock Washer	Φ 5/16" 	8
F	Allen Wrench	Φ 5MM 	1

Note:

1. Do not lock one screw hole before screwing in other screws. Instead, align the four holes at the same time and then tighten them one by one. Otherwise, the subsequent holes may be misaligned.

2. The washer is not a necessary accessory for product assembly. It is only used to prevent the wooden frame from being scratched when the screws are screwed in. Whether it is installed or not does not affect the normal use of the product.

Installation Method

