





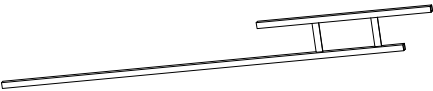
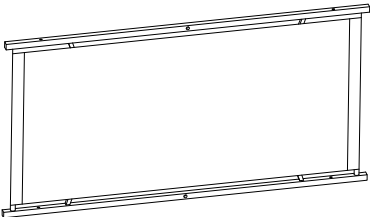
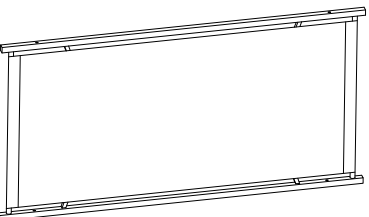
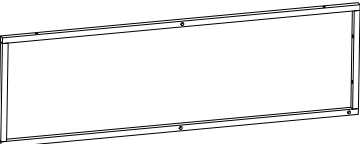
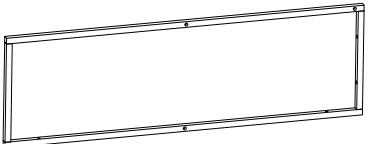
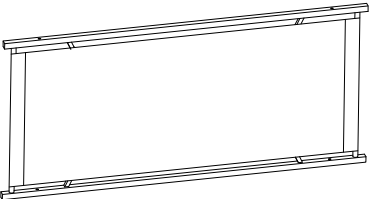
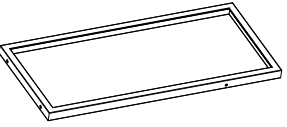
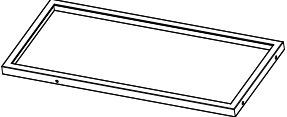
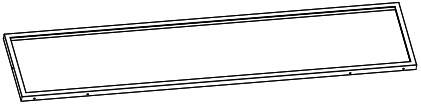
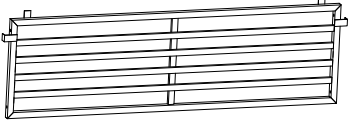
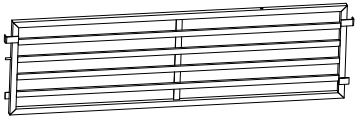
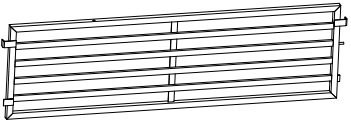

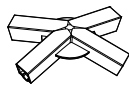
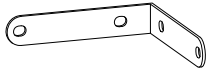
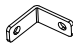
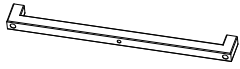



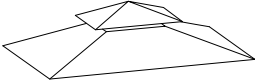
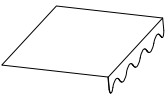













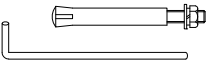
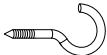





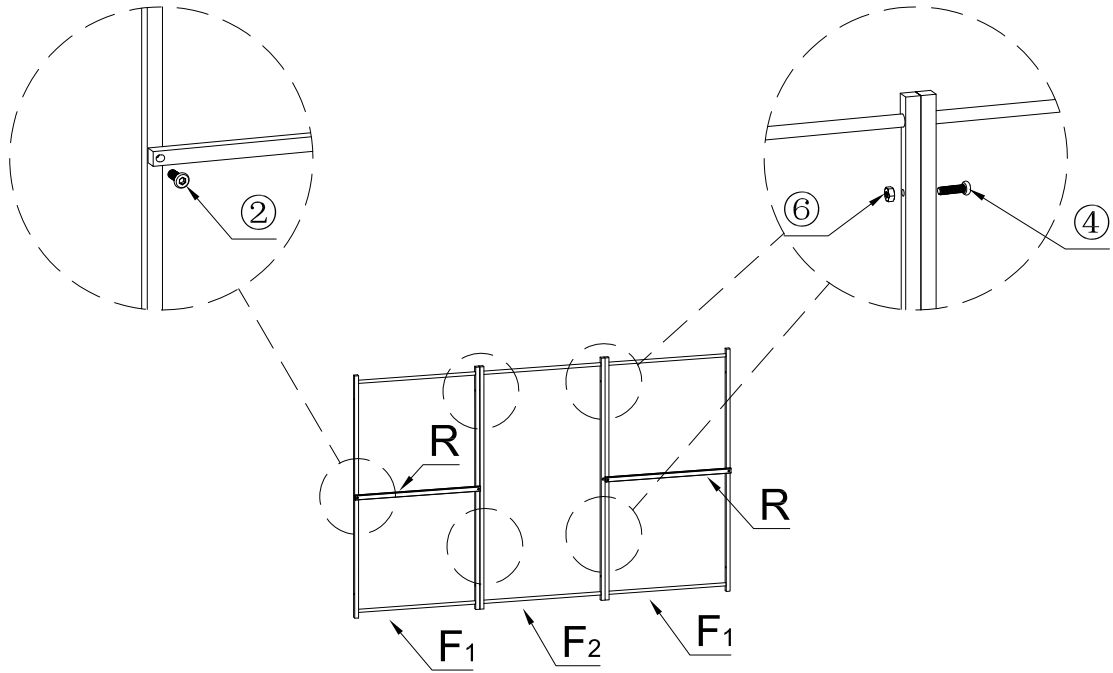


# Parts



A	4pcs				
A1	1pc		A2	3pcs	
B	2pcs				
C1	2pcs		C2	4pcs	
D	4pcs				
F1	2pcs		F2	1pc	
G1	1pc		G2	1pc	
H	4pcs		I	1pc	
J	1pc		K	1pc	
L	1pc		L1	1pc	
L2	1pc		M	4pcs	

N	1pc		O	4pcs	
P	2pcs		Q	2pcs	
R	2pcs		S	4pcs	
T	2pcs		U <sub>1</sub>	1pc	
U <sub>2</sub>	1pc		V <sub>1</sub>	1pc	
V <sub>2</sub>	1pc		W <sub>1</sub>	1pc	
W <sub>2</sub>	1pc		X	2pcs	
Y	2pcs		Z	6pcs	
①	70pcs	 M6*15	②	12pcs	 M6*25
③	20pcs	 M6*32	④	10pcs	 M6*40
⑤	4pcs	 M6*45	⑥	14pcs	 M6
⑦	8pcs		⑧	1pc	
⑨	1pc		⑩	1pc	

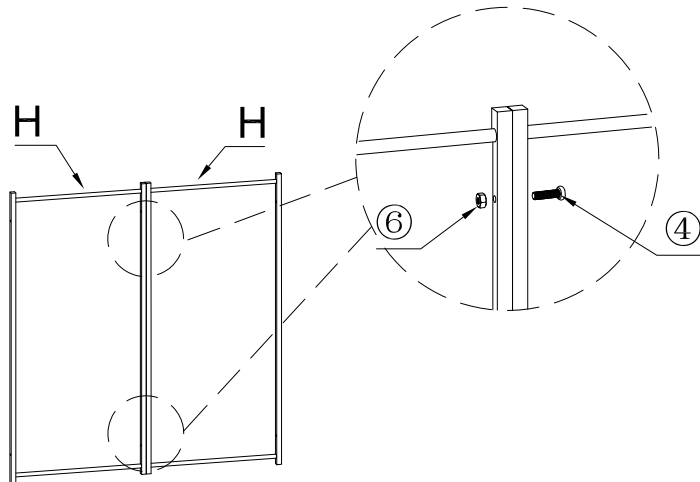
(F <sub>1</sub> ) 2x	(F <sub>2</sub> ) 1x	(R) 2x
(2)  4x	(4)  4x	(6)  4x



1



(H) 4x	
(4)  4x	(6)  4x

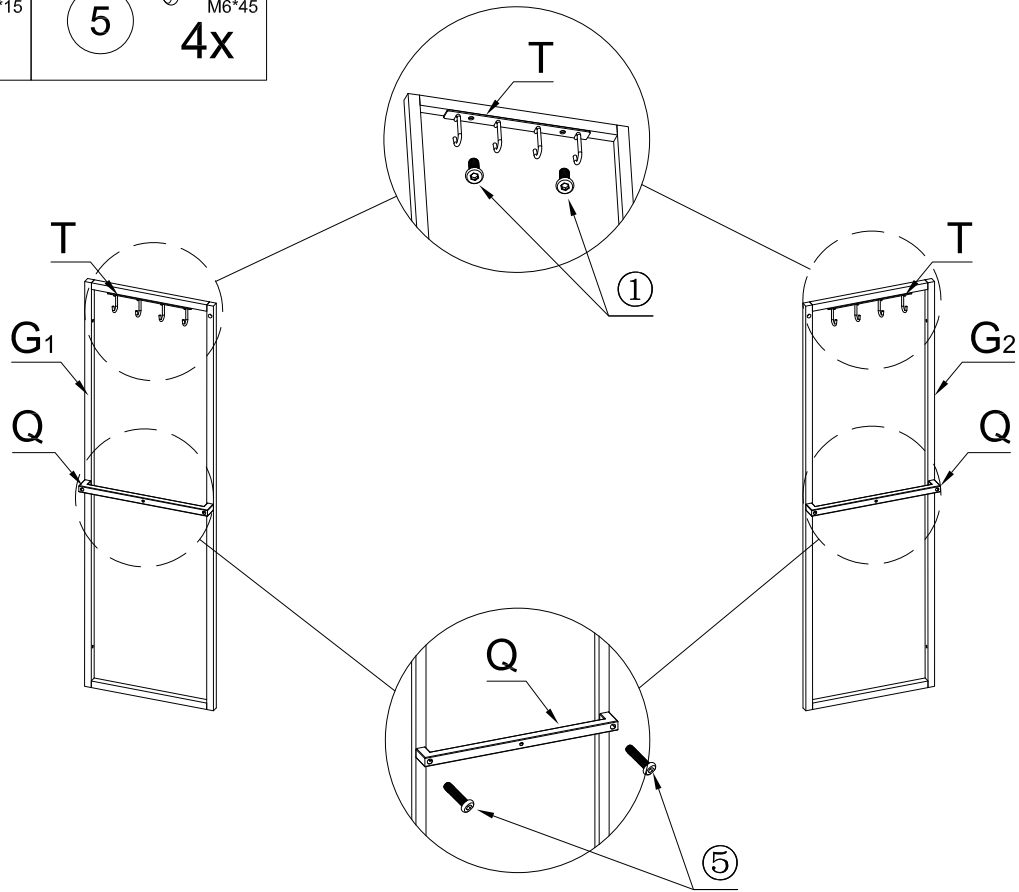
2X



2

<b>G<sub>1</sub></b> 1x	<b>G<sub>2</sub></b> 1x	<b>Q</b> 2x	<b>T</b> 2x
-------------------------	-------------------------	-------------	-------------

<b>1</b>  M6*15 4x	<b>5</b>  M6*45 4x
--	--




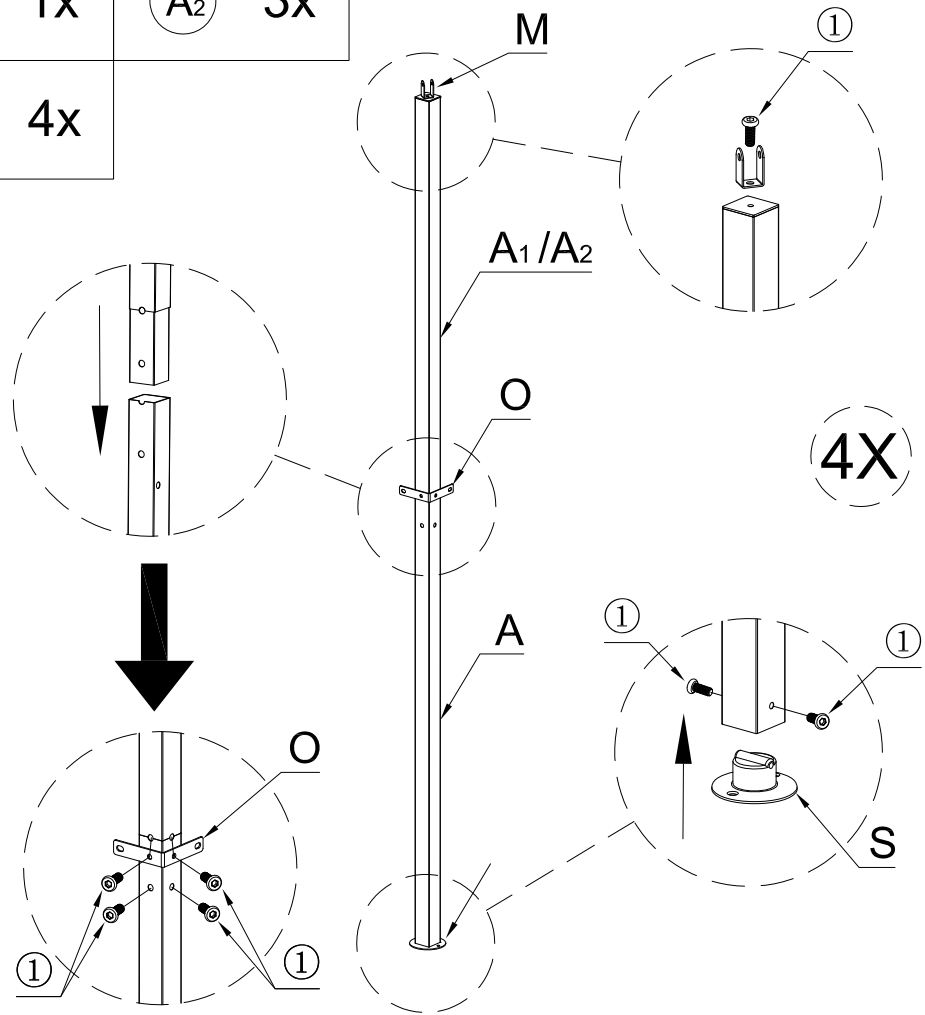
3

<b>A</b> 4x	<b>A<sub>1</sub></b> 1x	<b>A<sub>2</sub></b> 3x
-------------	-------------------------	-------------------------

<b>M</b> 4x	<b>O</b> 4x
-------------	-------------

<b>S</b> 4x
-------------

<b>1</b>  M6*15 28x
---



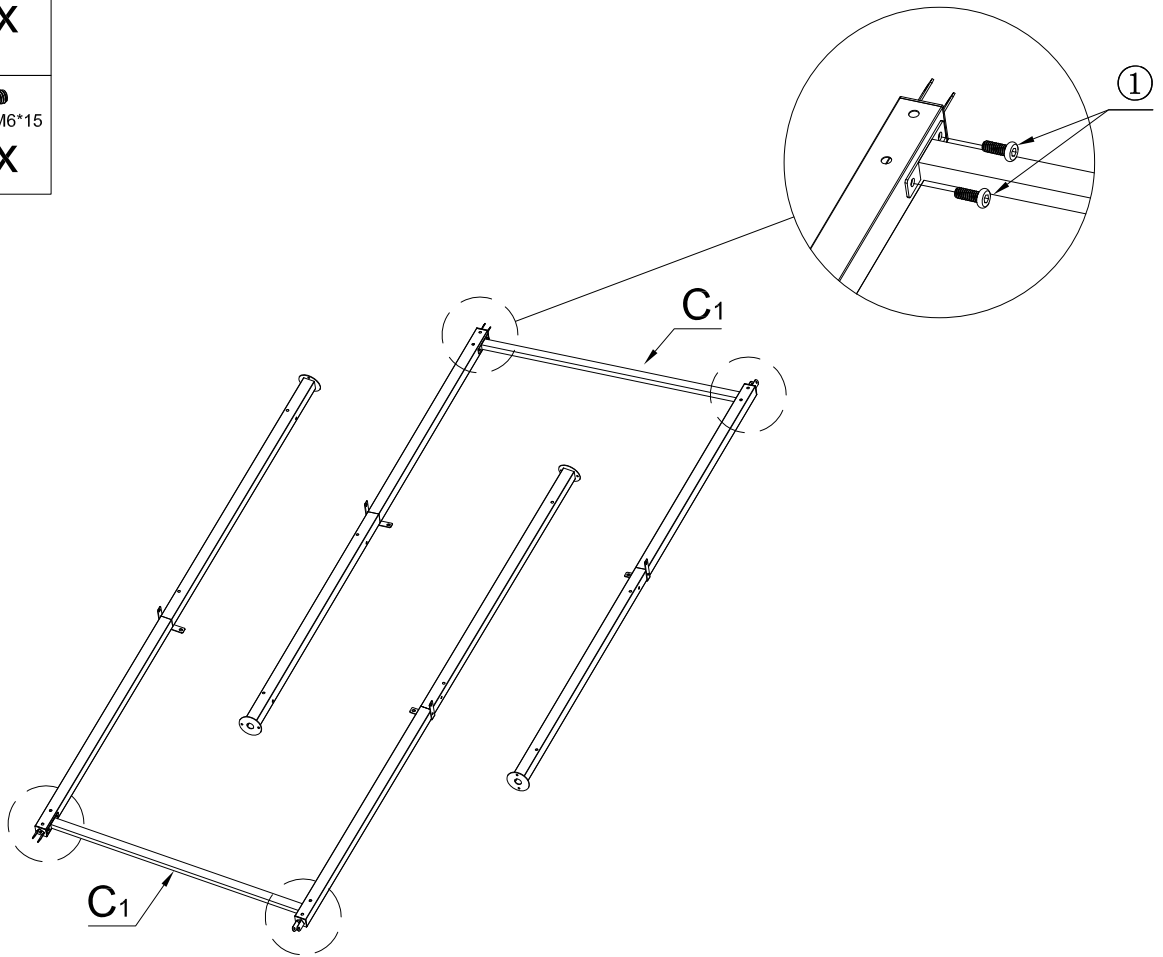
4

C<sub>1</sub>

2x

1

M6\*15  
8x



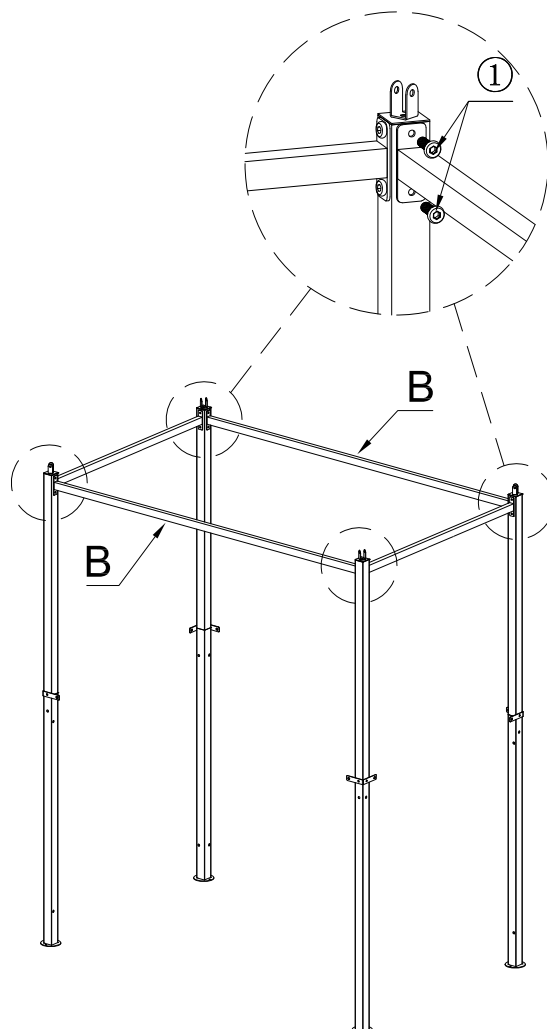
5

B

2x

1

M6\*15  
8x



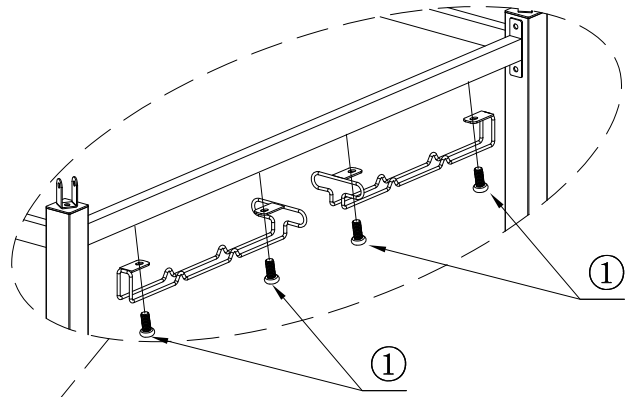
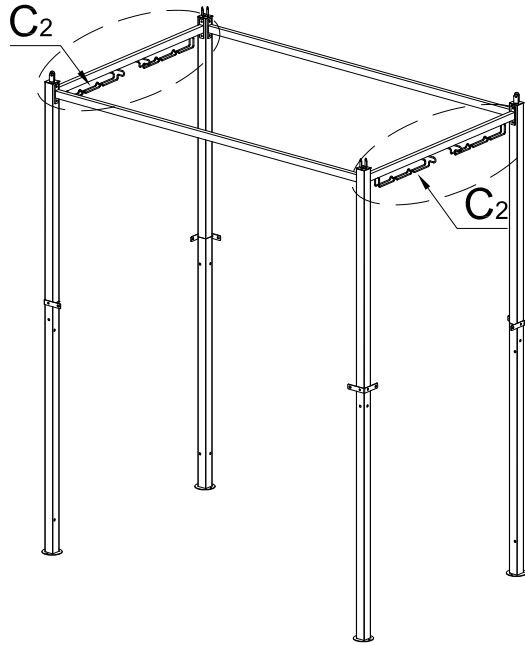
6

C<sub>2</sub>

4x

1

M6\*15  
8x



7

D

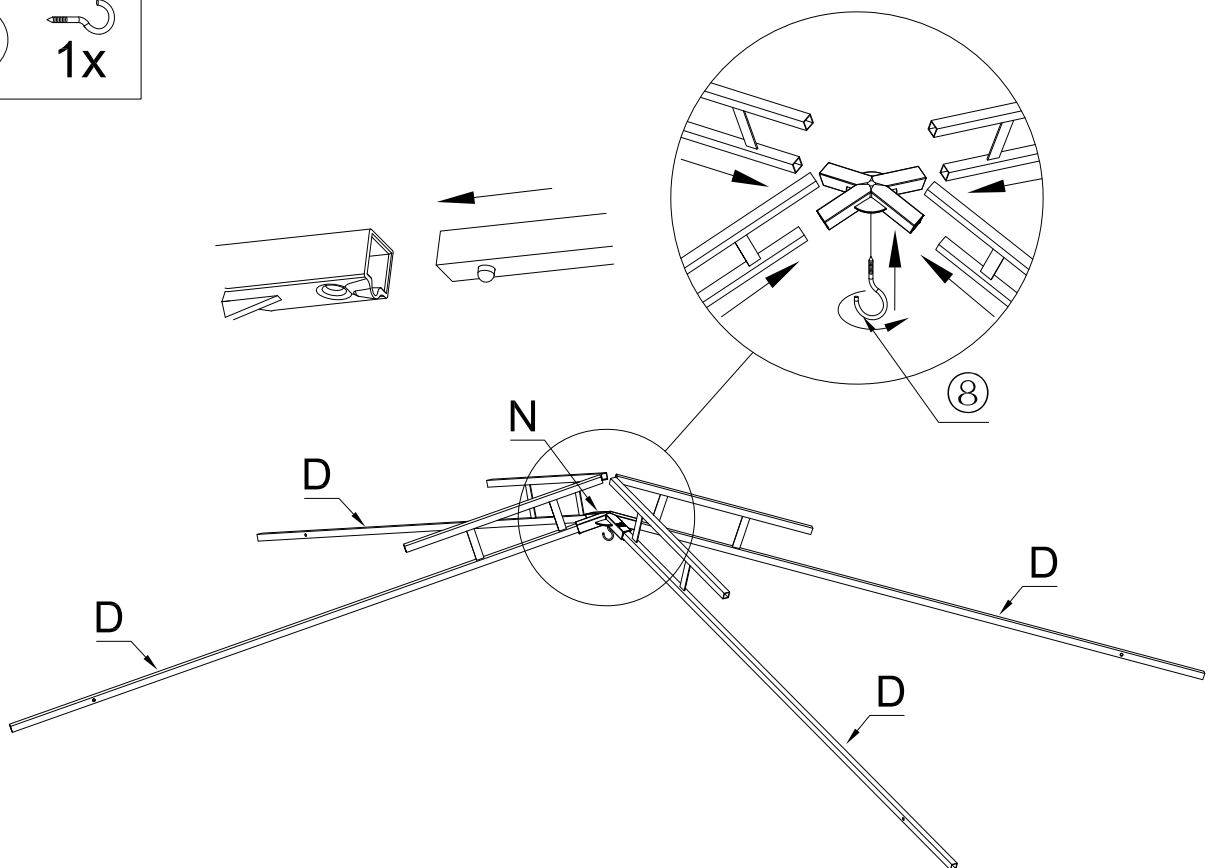
4x

N

1x

8

1x



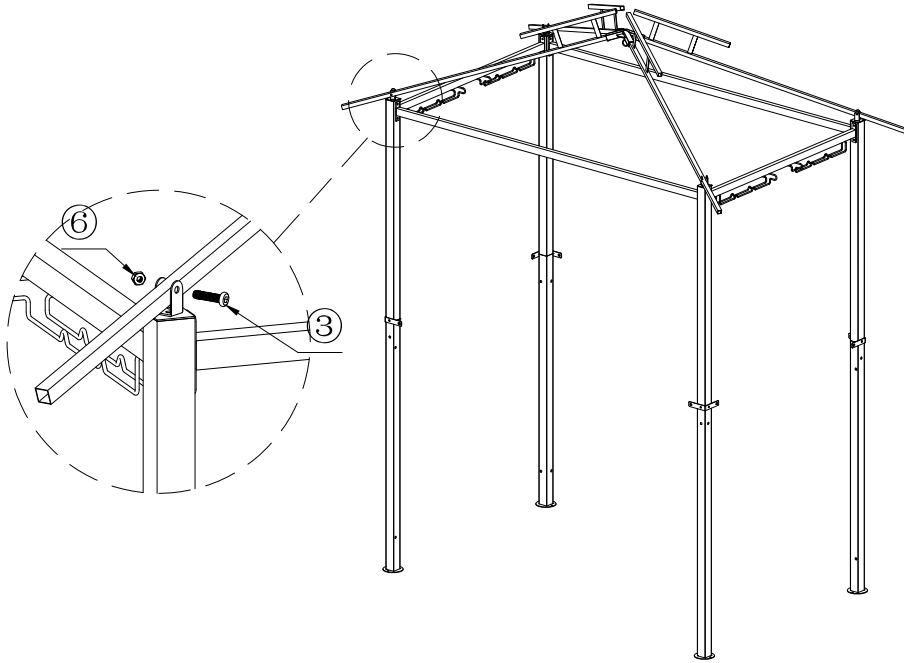
8

3

M6\*32  
4x

6

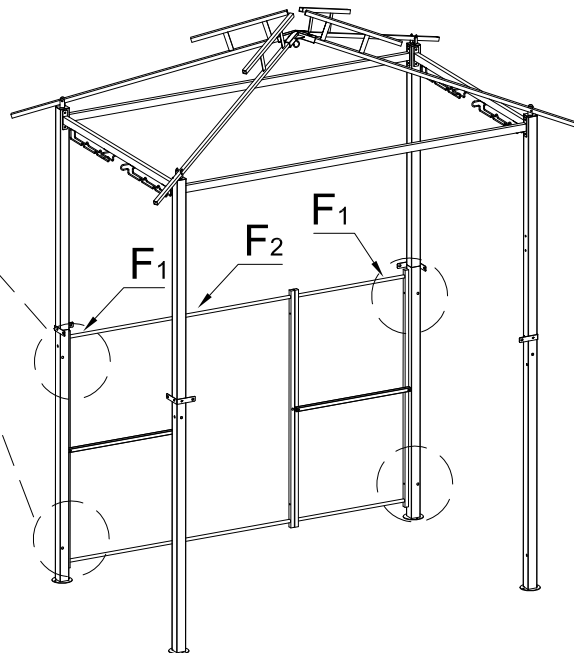
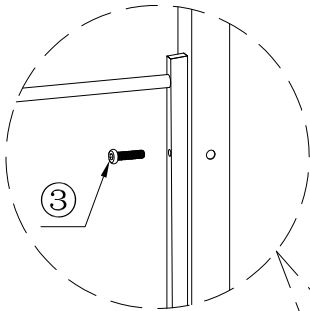
M6  
4x



9

3

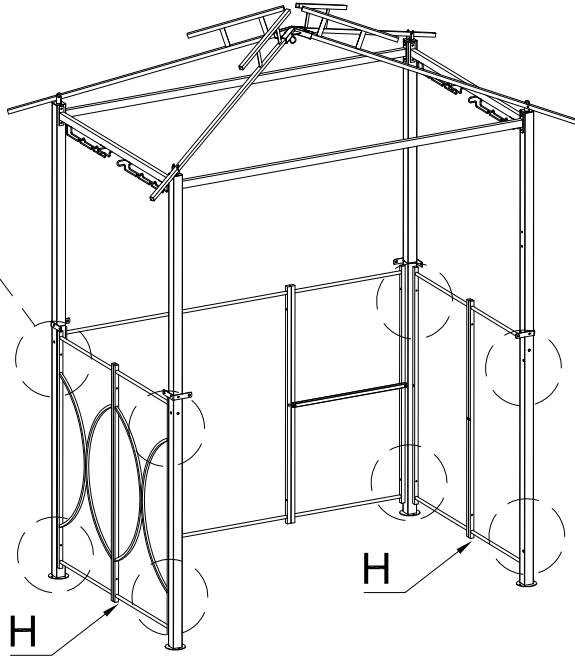
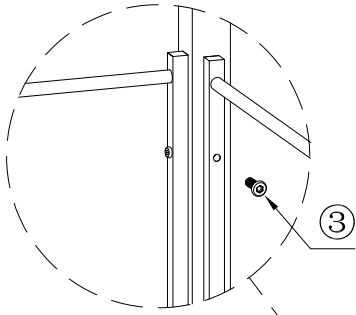
M6\*32  
4x



10

3

M6\*32  
8x



11

1

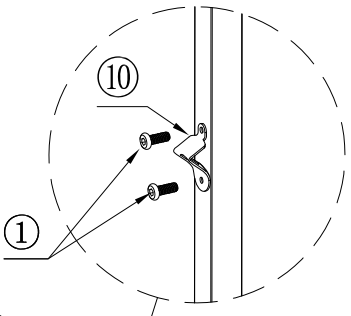
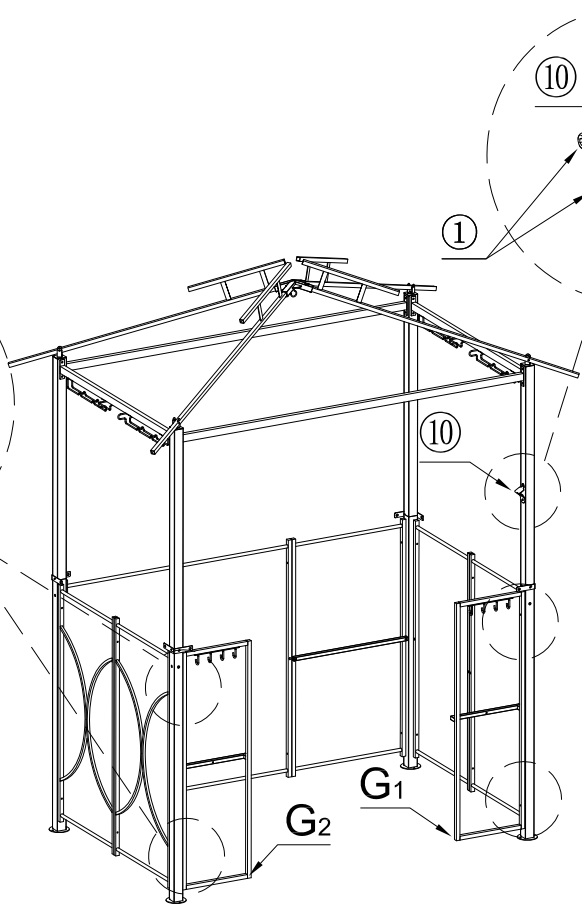
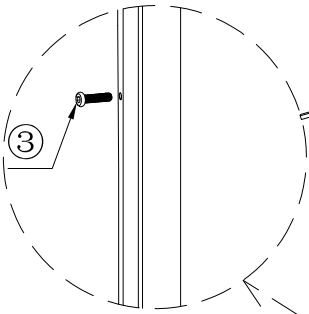
M6\*15  
2x

3

M6\*32  
4x

10

1x



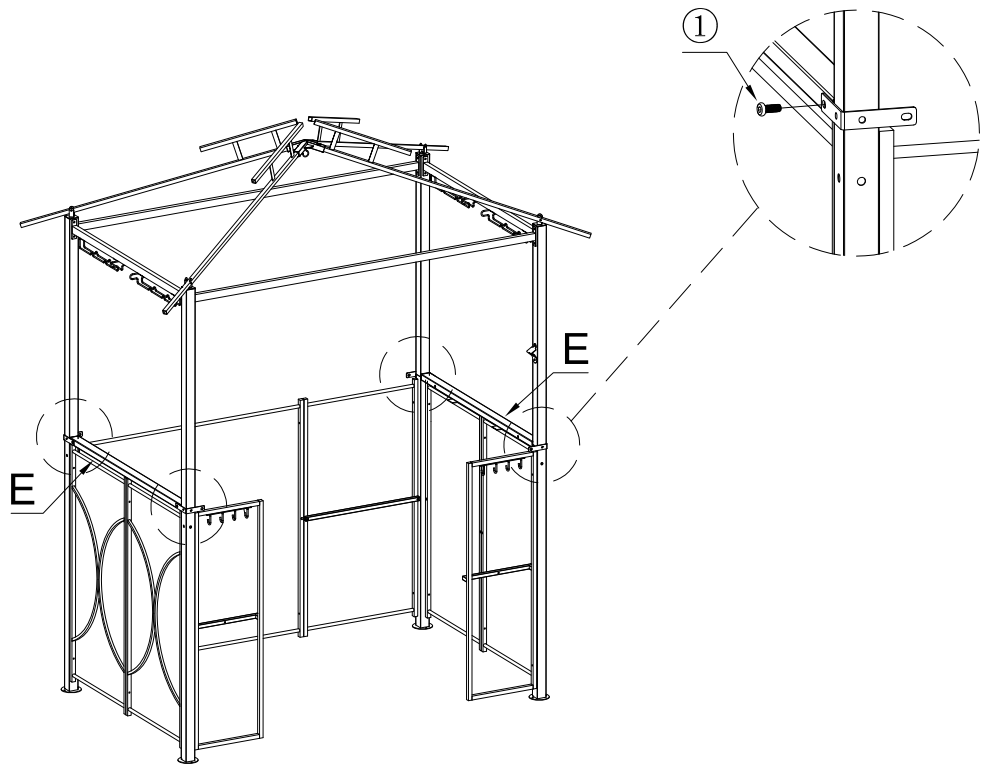
12

E

2x

1

M6\*15  
4x



13

L

1x

L<sub>1</sub>

1x

L<sub>2</sub>

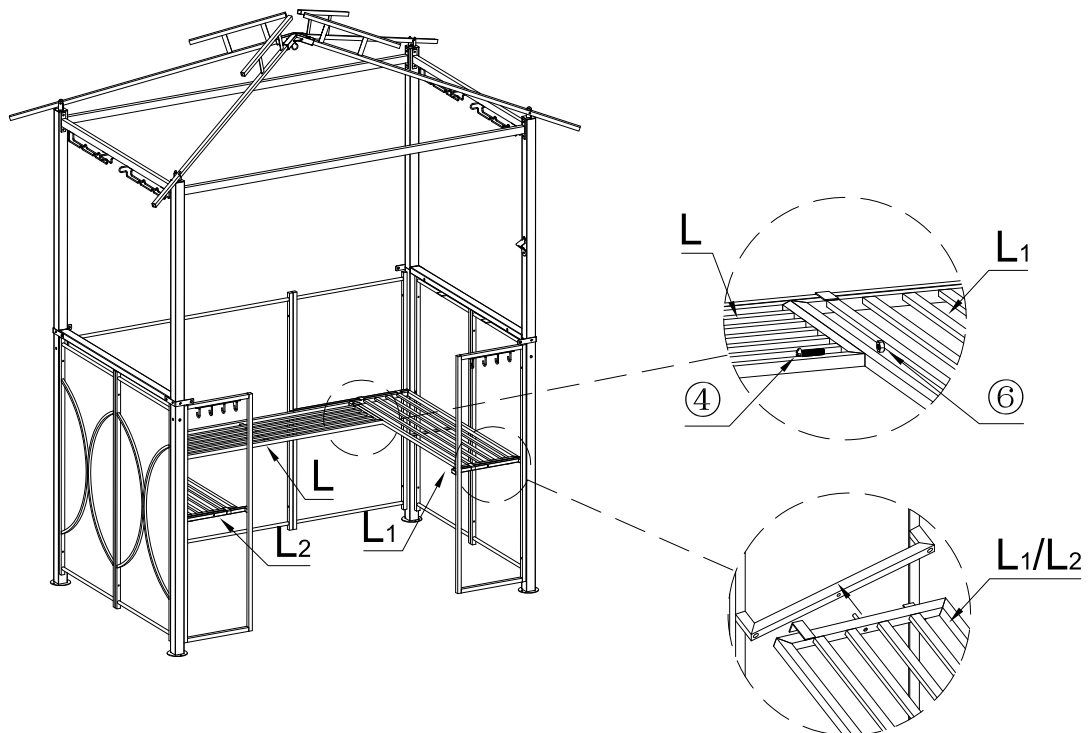
1x

4

M6\*40  
2x

6

M6  
2x

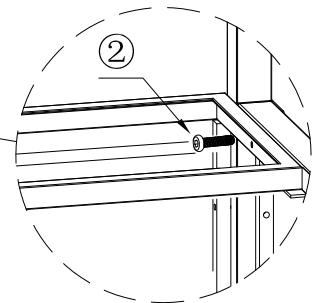
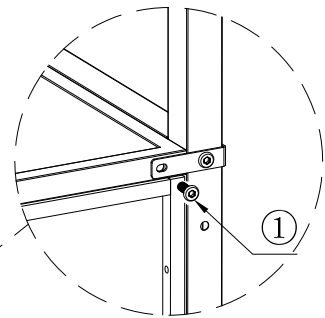
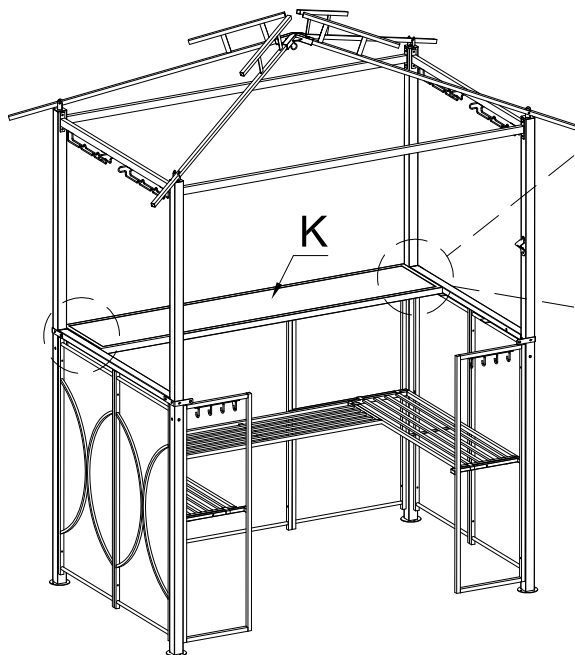


14

K 1x

1 M6\*15  
2x

2 M6\*25  
2x



15

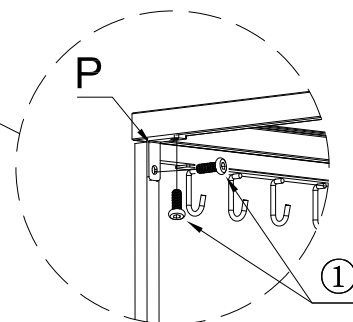
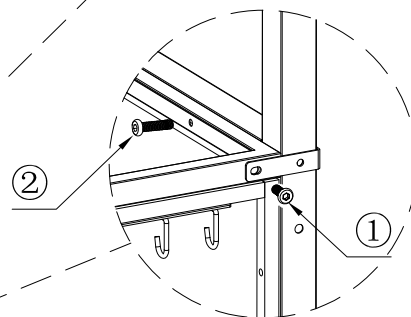
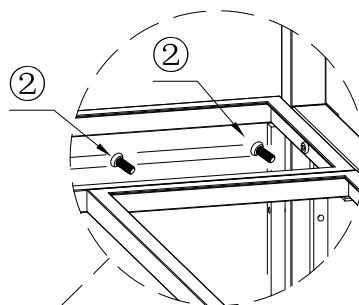
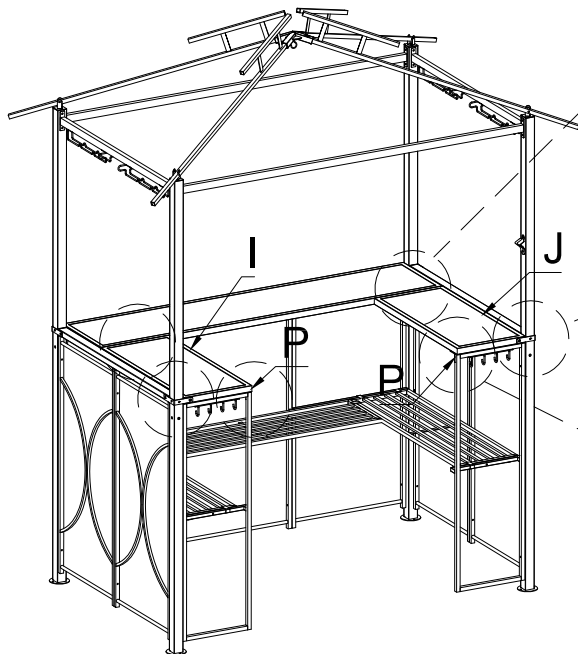
I 1x

J 1x

P 2x

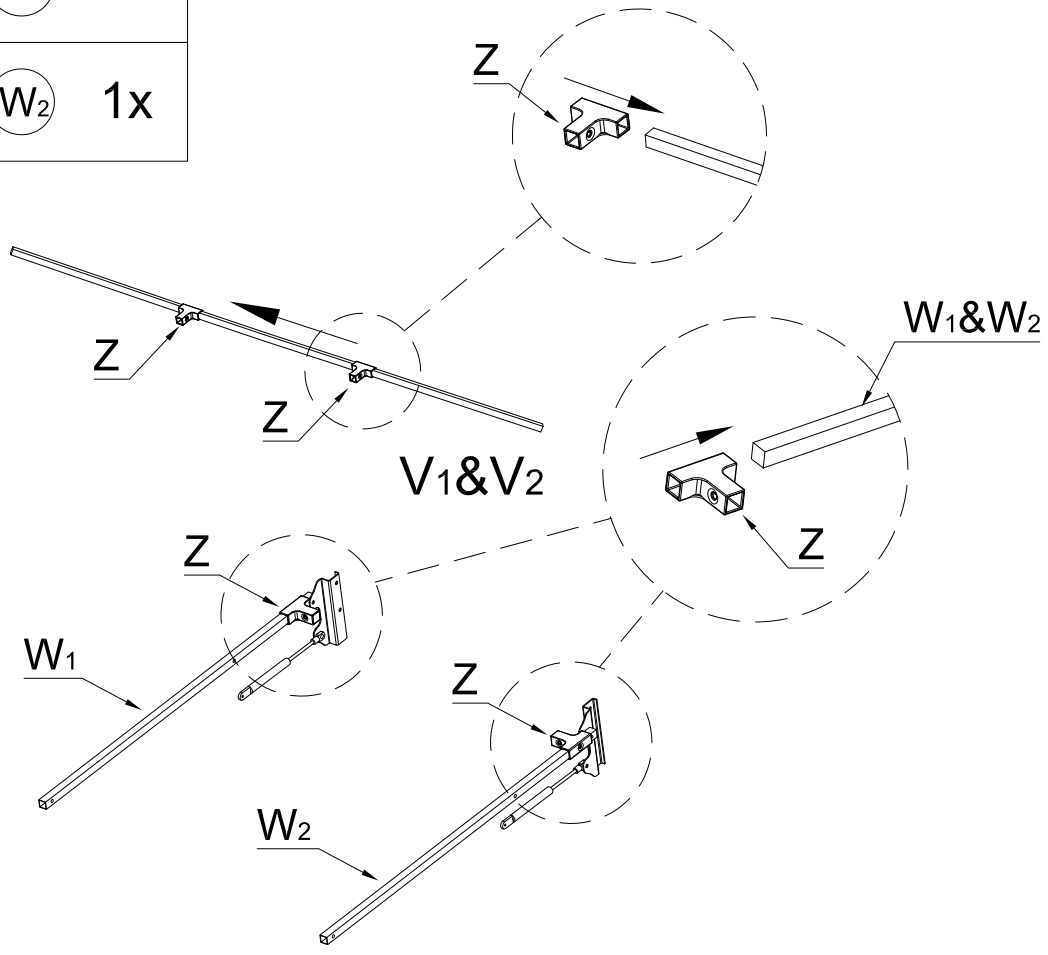
1 M6\*15  
6x

2 M6\*25  
6x

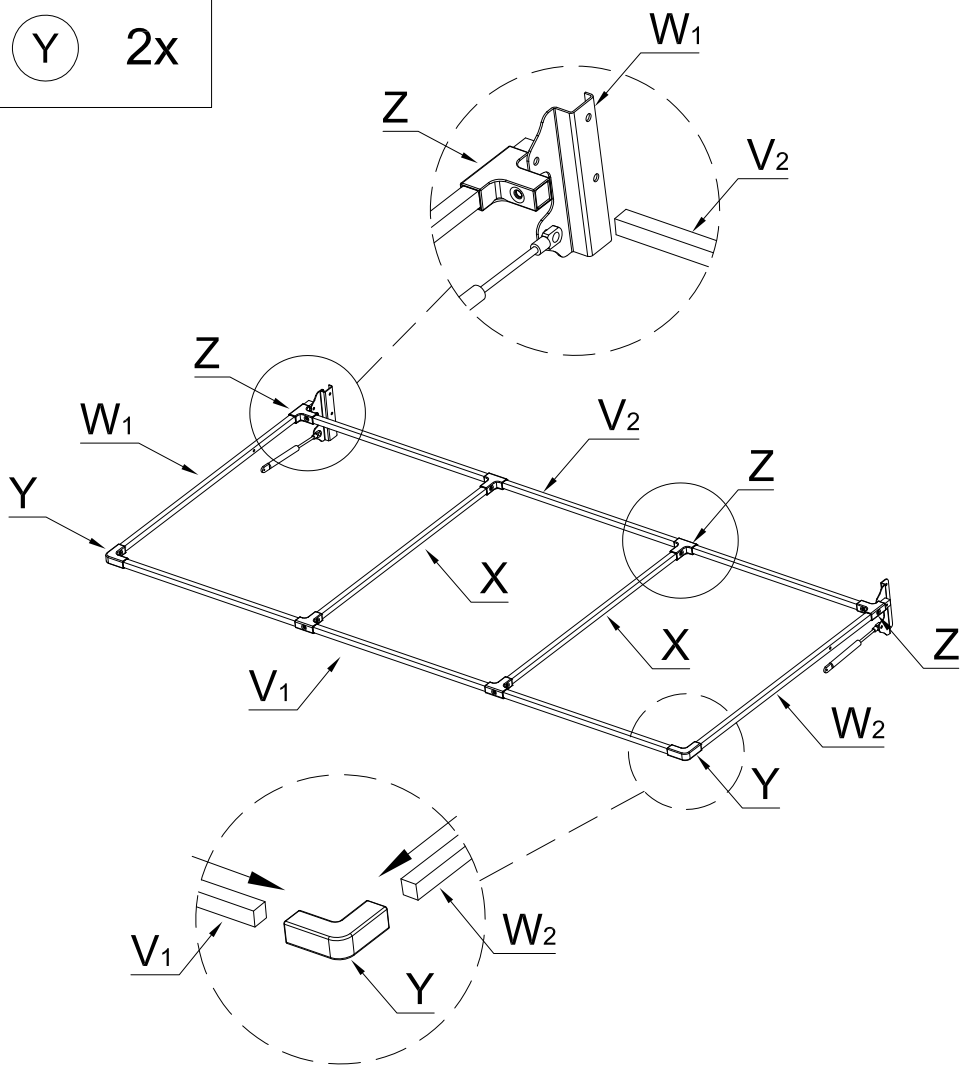


16

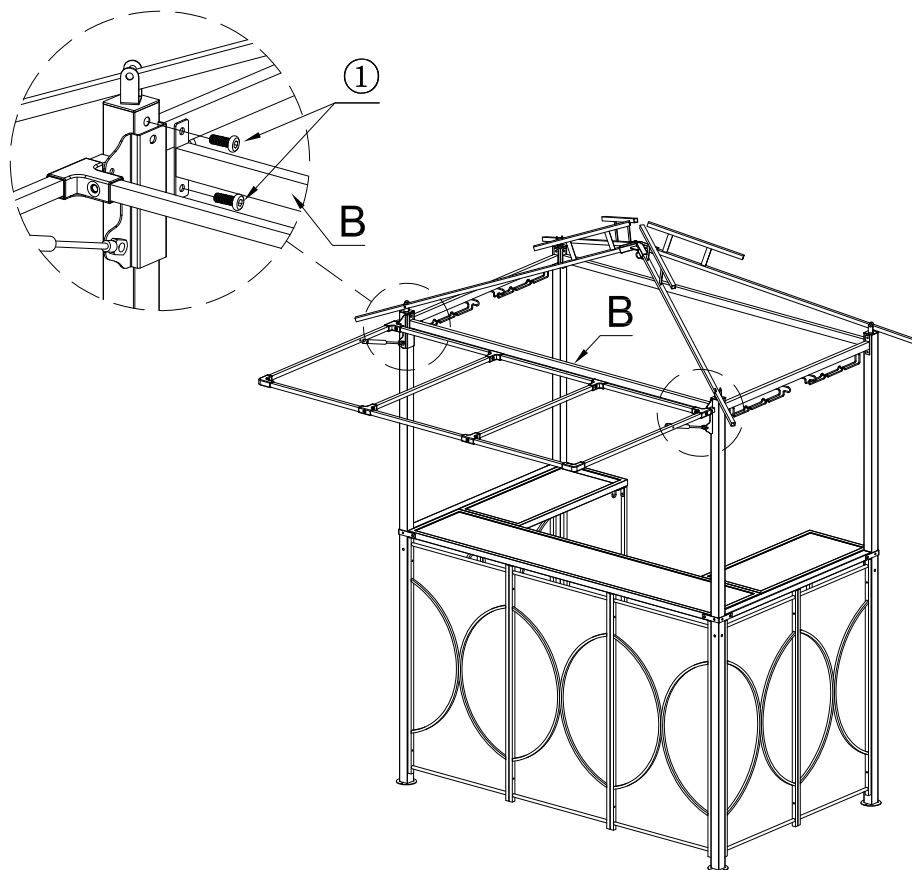
V <sub>1</sub> 1x	V <sub>2</sub> 1x
W <sub>1</sub> 1x	W <sub>2</sub> 1x
Z 6x	



X 2x	Y 2x
------	------



Remove screw ① from part "B" first, then assemble extra awning.



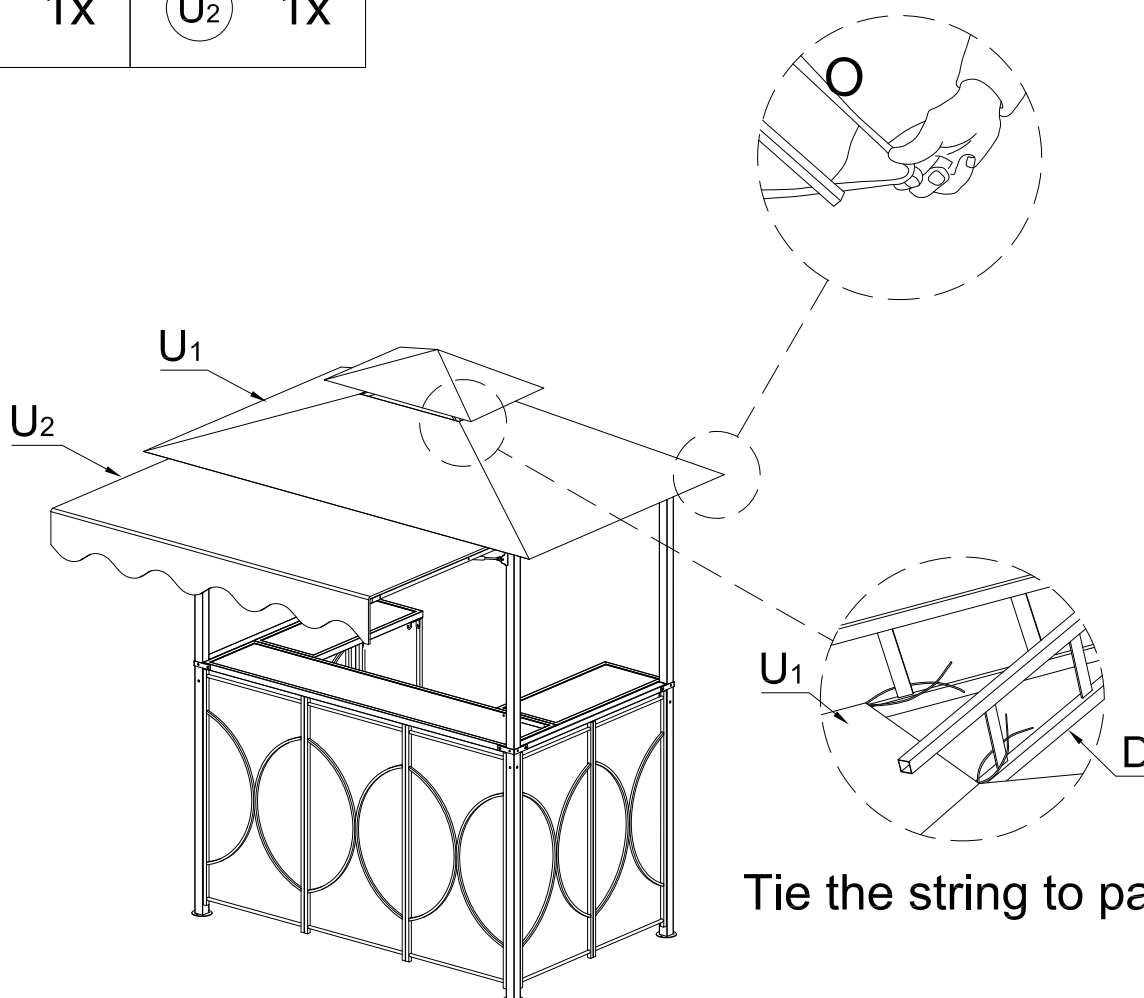
19

U<sub>1</sub>

1x

U<sub>2</sub>

1x

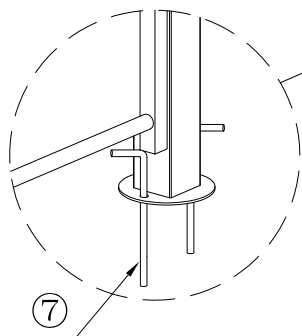
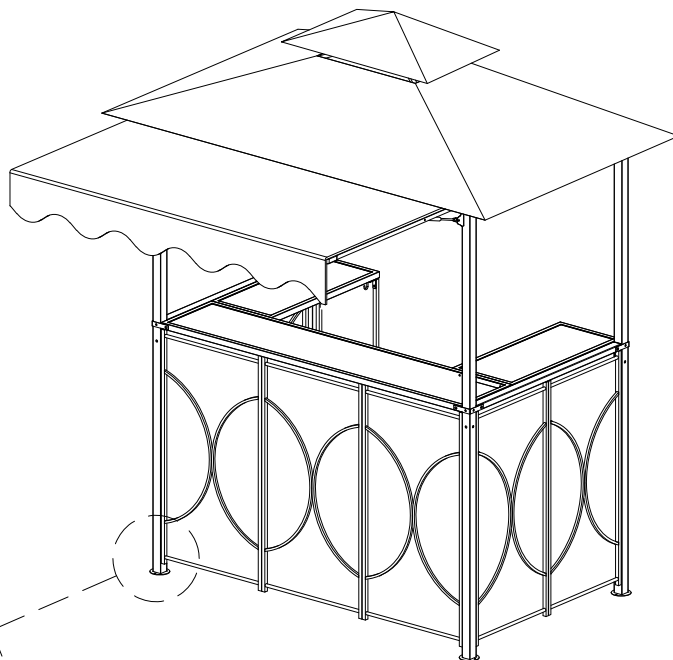


20

7



8x



or

