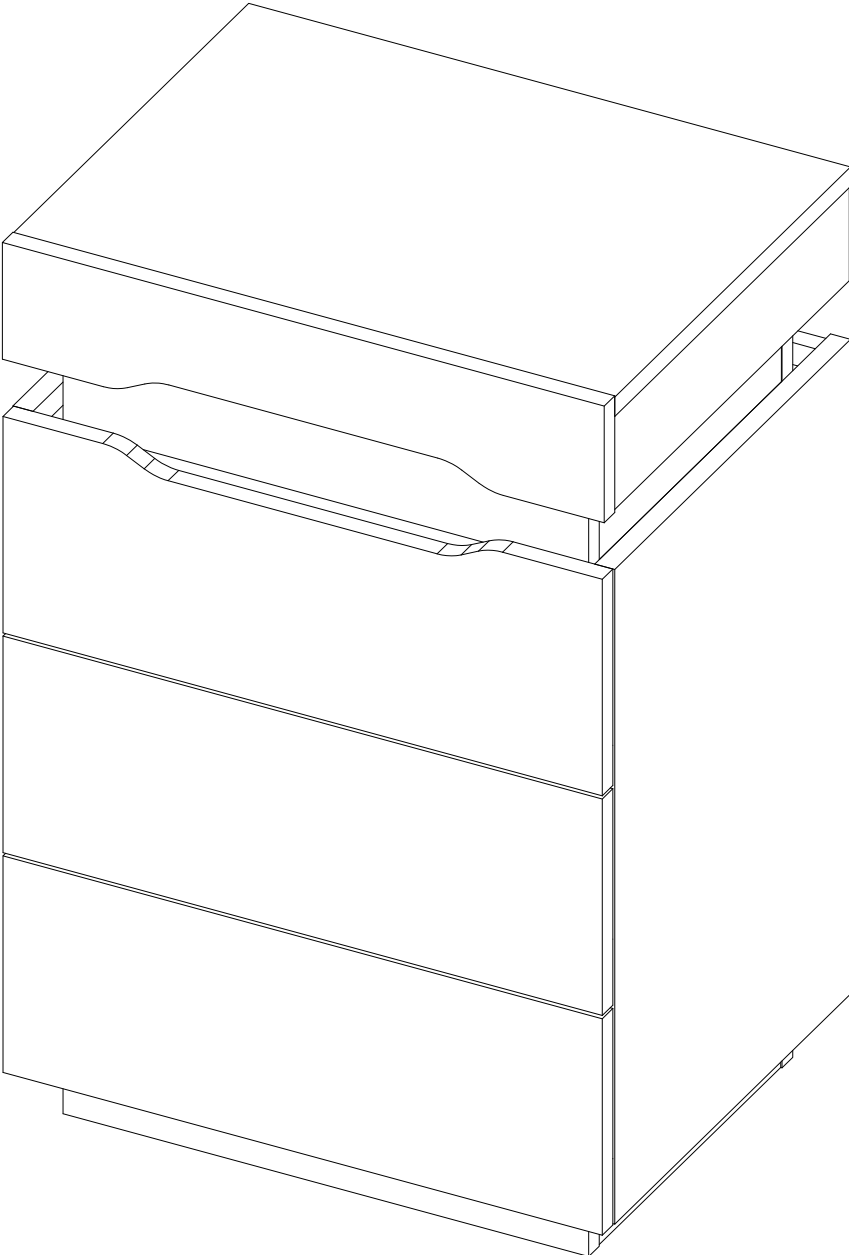
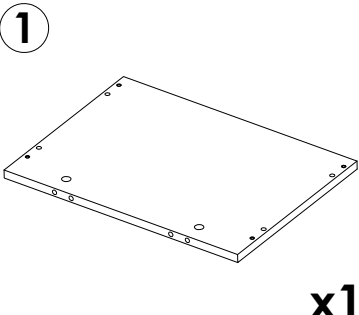
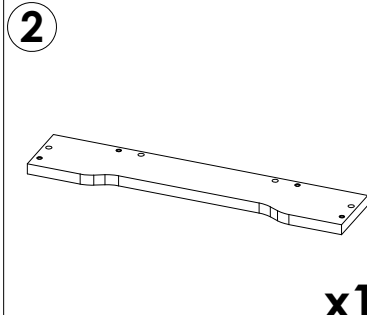
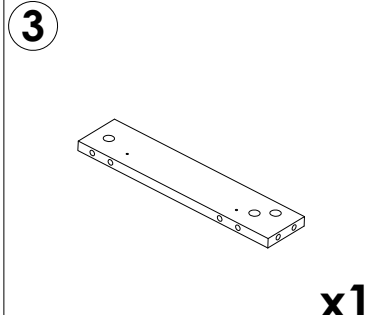
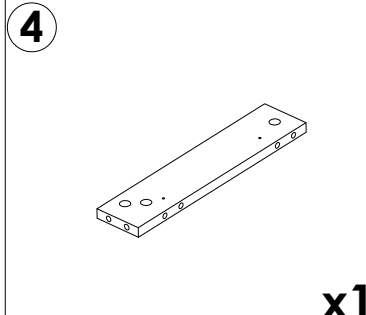
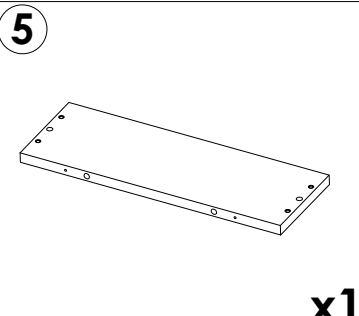
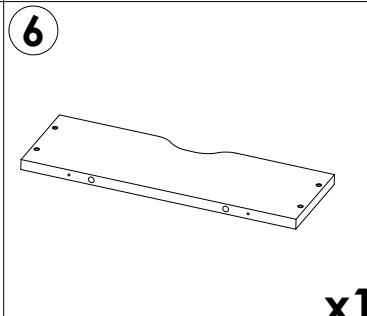
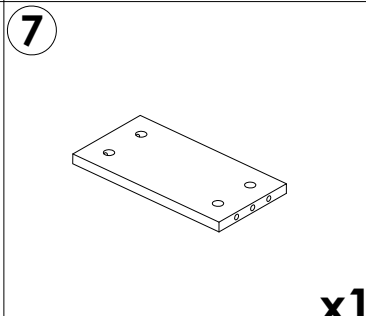
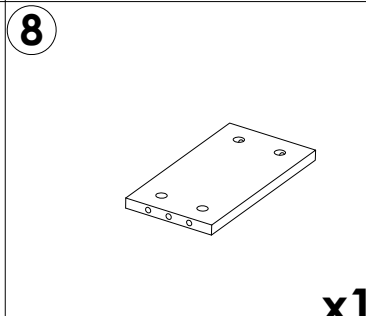
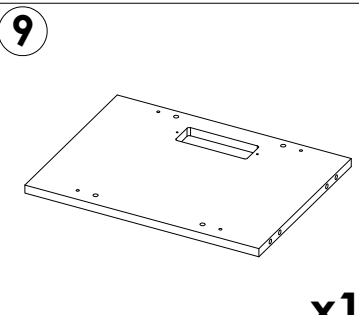
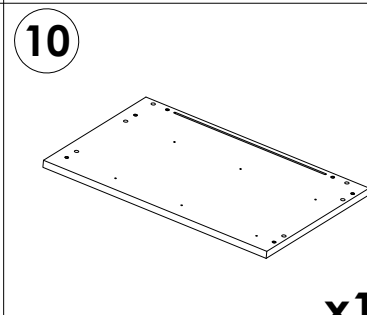
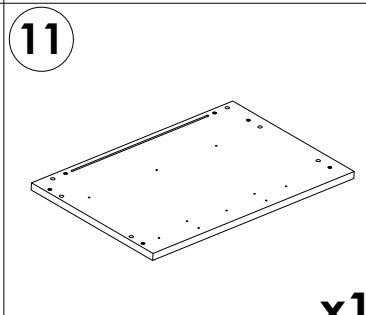
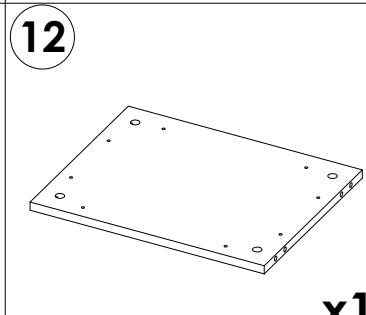
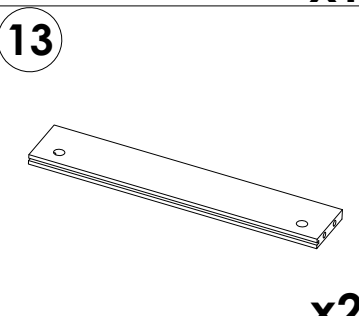
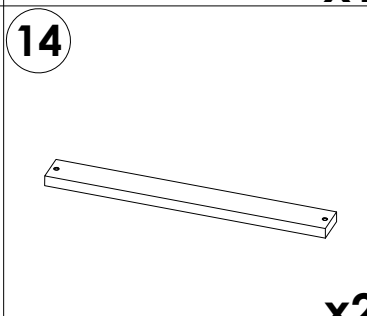
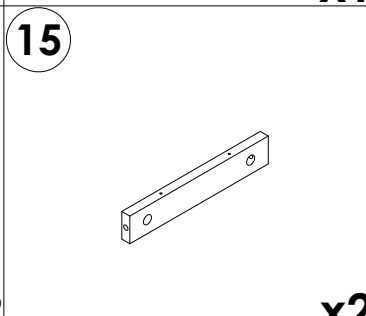
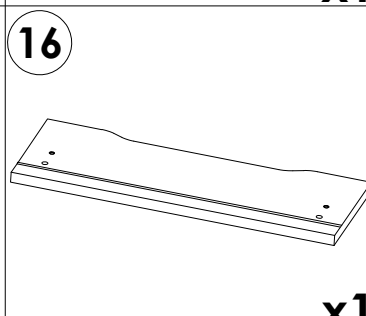
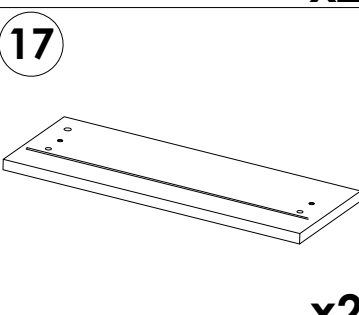
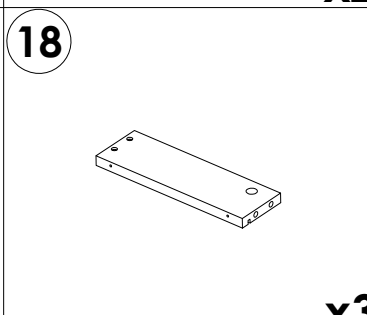
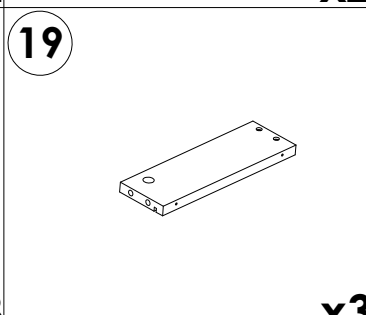
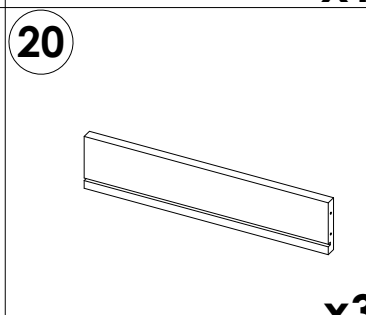
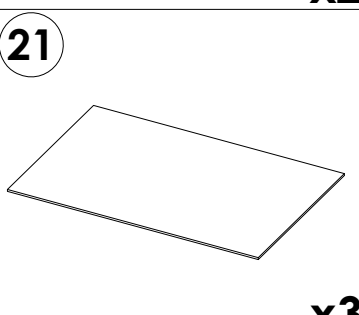
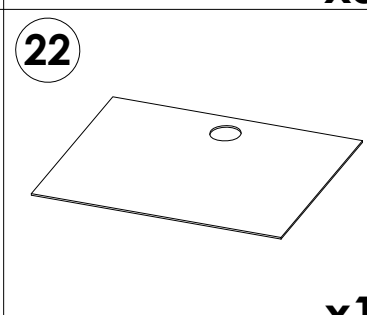


# ASSEMBLY INSTRUCTIONS

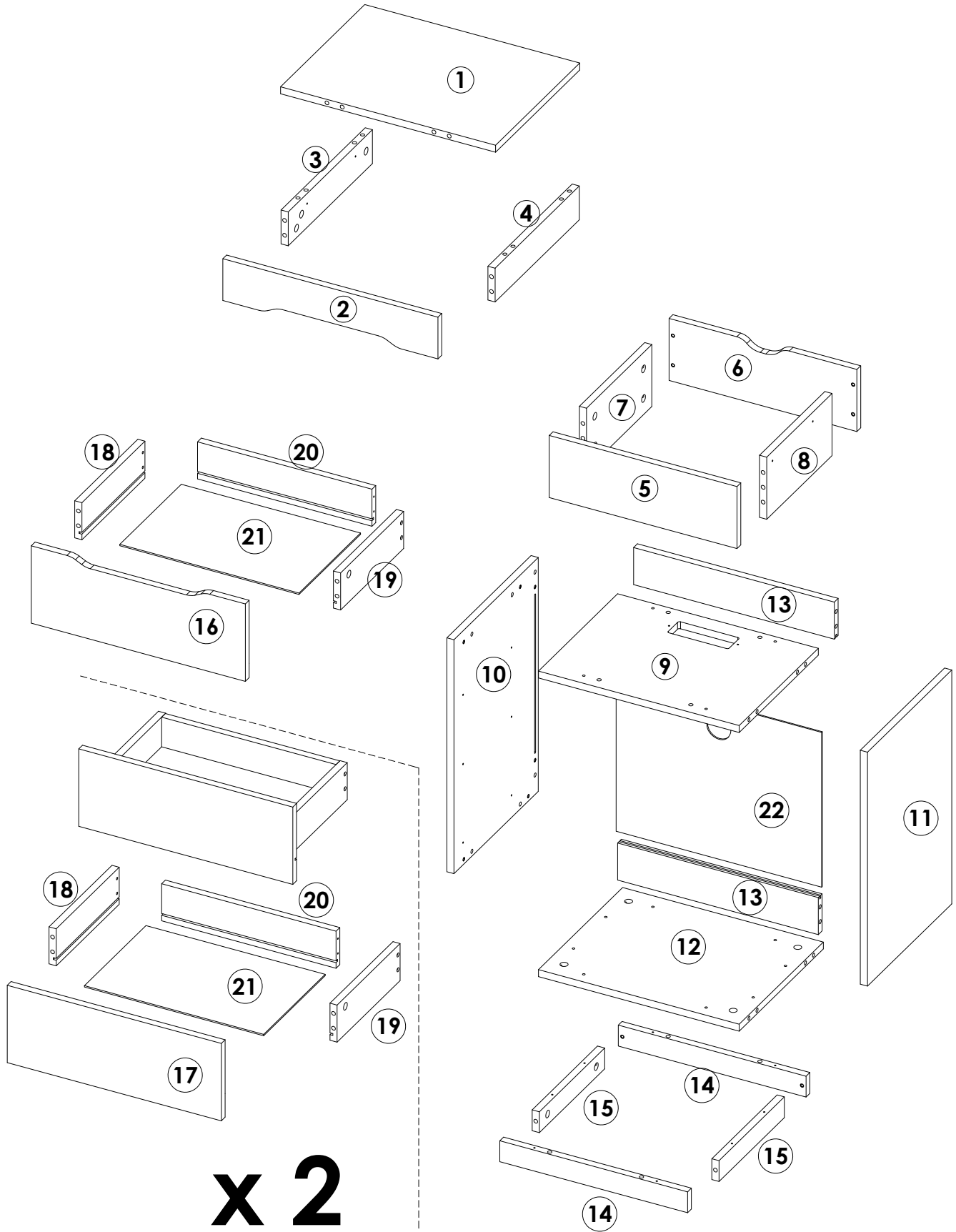
---



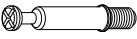

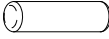



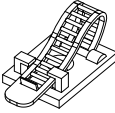
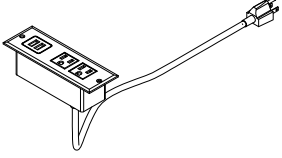

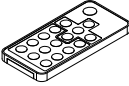

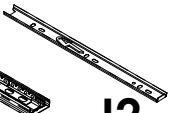
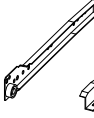
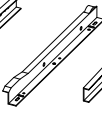
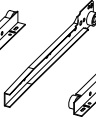
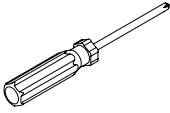
# CABINET PARTS

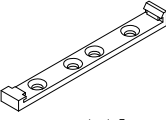
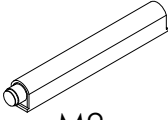



 <p><b>1</b></p> <p>x1</p>	 <p><b>2</b></p> <p>x1</p>	 <p><b>3</b></p> <p>x1</p>	 <p><b>4</b></p> <p>x1</p>
 <p><b>5</b></p> <p>x1</p>	 <p><b>6</b></p> <p>x1</p>	 <p><b>7</b></p> <p>x1</p>	 <p><b>8</b></p> <p>x1</p>
 <p><b>9</b></p> <p>x1</p>	 <p><b>10</b></p> <p>x1</p>	 <p><b>11</b></p> <p>x1</p>	 <p><b>12</b></p> <p>x1</p>
 <p><b>13</b></p> <p>x2</p>	 <p><b>14</b></p> <p>x2</p>	 <p><b>15</b></p> <p>x2</p>	 <p><b>16</b></p> <p>x1</p>
 <p><b>17</b></p> <p>x2</p>	 <p><b>18</b></p> <p>x3</p>	 <p><b>19</b></p> <p>x3</p>	 <p><b>20</b></p> <p>x3</p>
 <p><b>21</b></p> <p>x3</p>	 <p><b>22</b></p> <p>x1</p>		

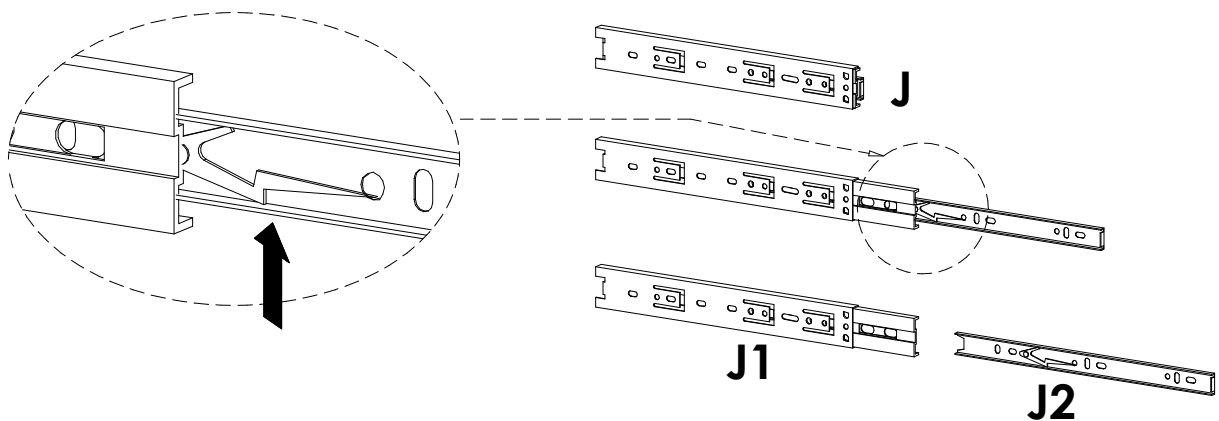
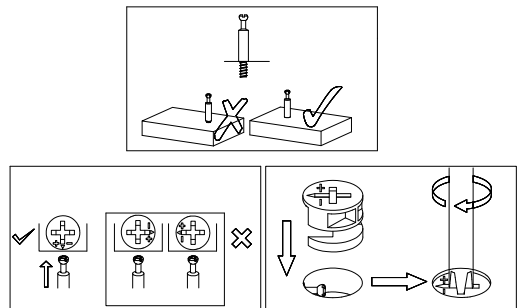
# CABINET PARTS



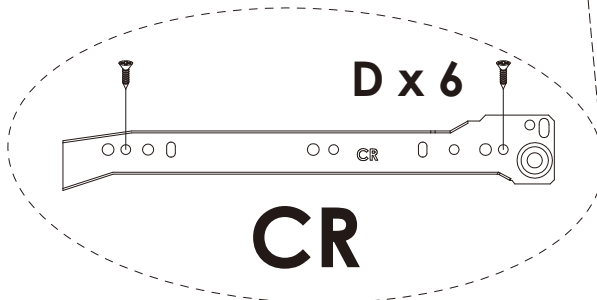
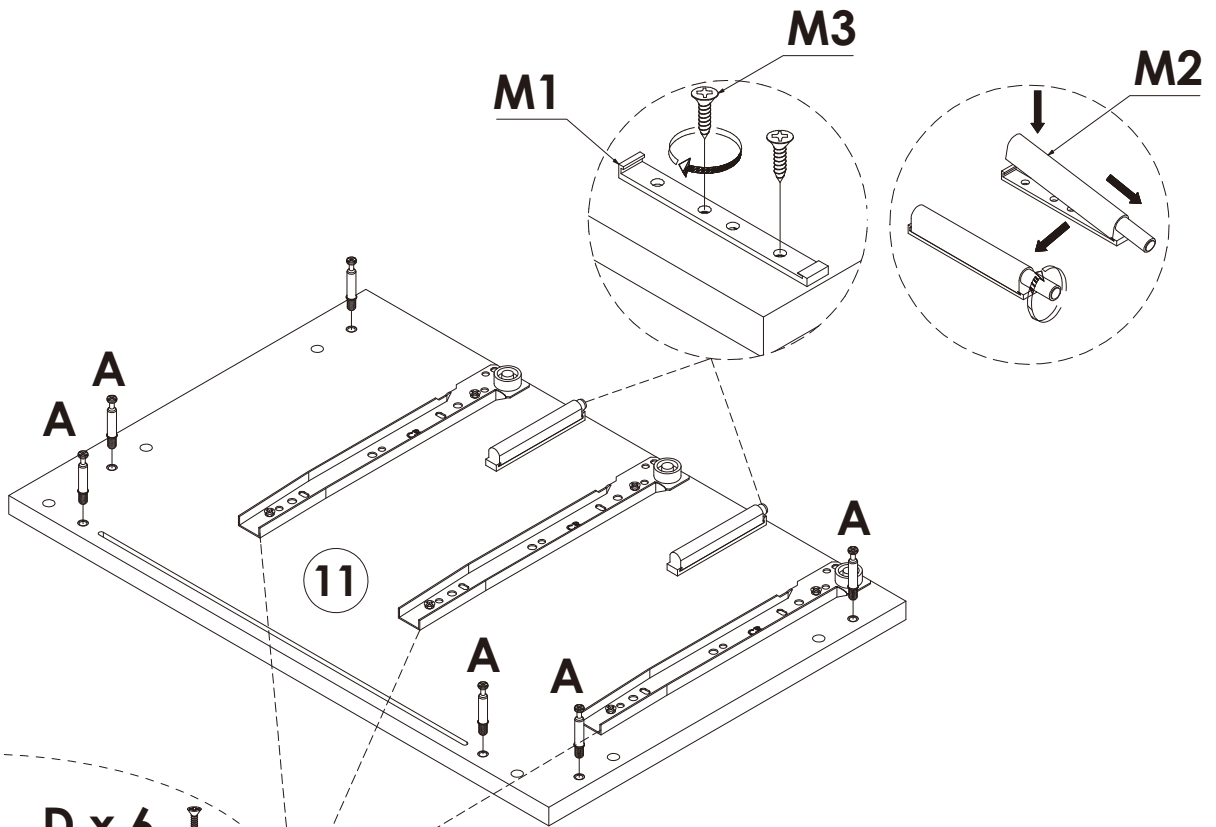
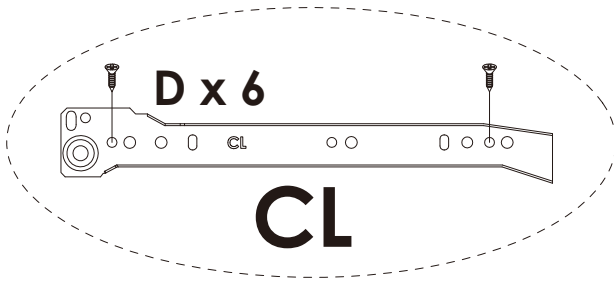
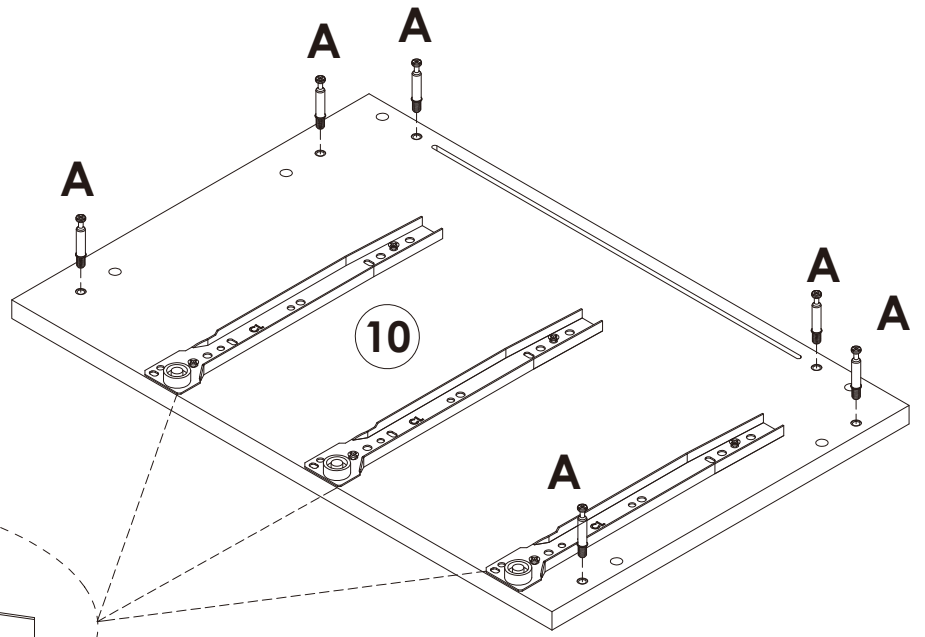
# PARTS

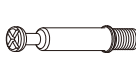
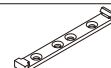




<b>A</b>	<b>x 38+1</b>	<b>B</b>	<b>x 38+1</b>	<b>C</b>	<b>x 36+1</b>	<b>D</b>	<b>x 38+2</b>
							
Ø6 x 40		Ø15 x 9.5		Ø8 x 30		#8 x 15	
<b>E</b>	<b>x 24+1</b>	<b>F</b>	<b>x 4</b>	<b>G</b>	<b>x 4</b>	<b>H</b>	<b>x 1</b>
							
#8 x 35							
<b>I</b>	<b>x 1</b>	<b>J</b>	<b>x 2</b>	<b>K</b>	<b>x 3</b>	<b>L</b>	<b>x 1</b>
 		 <b>J1</b>	 <b>J2</b>	 <b>CL</b>	 <b>DL</b>	 <b>CR</b>	
		L 250mm		L 250mm			

<b>M</b>	<b>x 2</b>
 <b>M1</b>	 <b>M2</b>
  <b>M3</b>	 <b>M4</b>

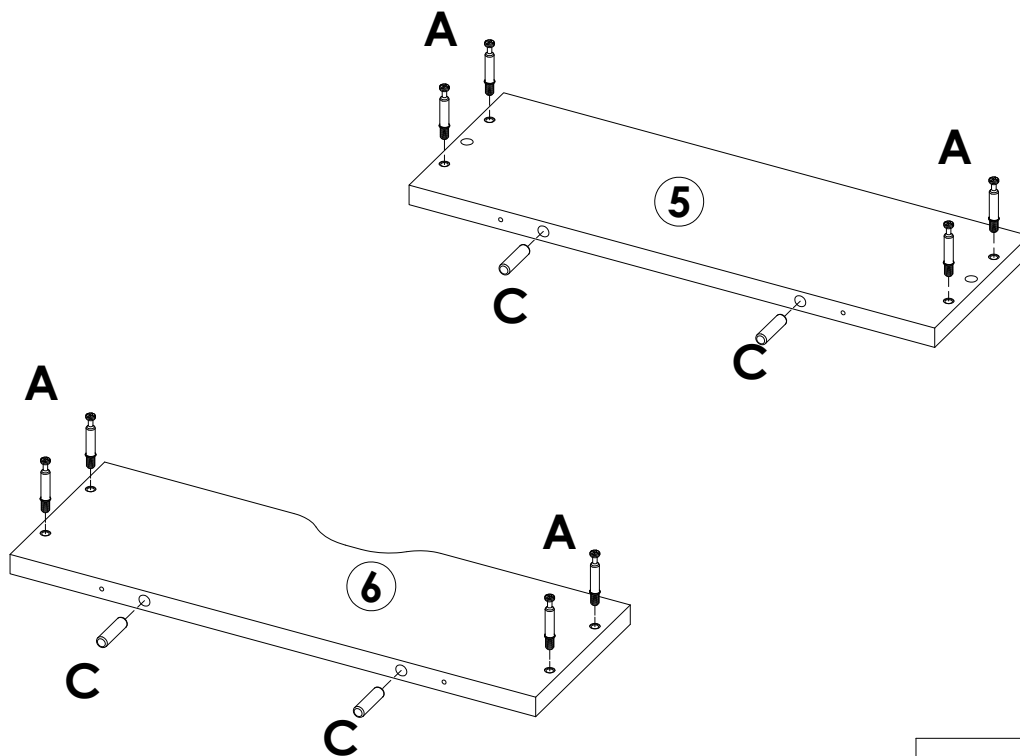




# STEP 1



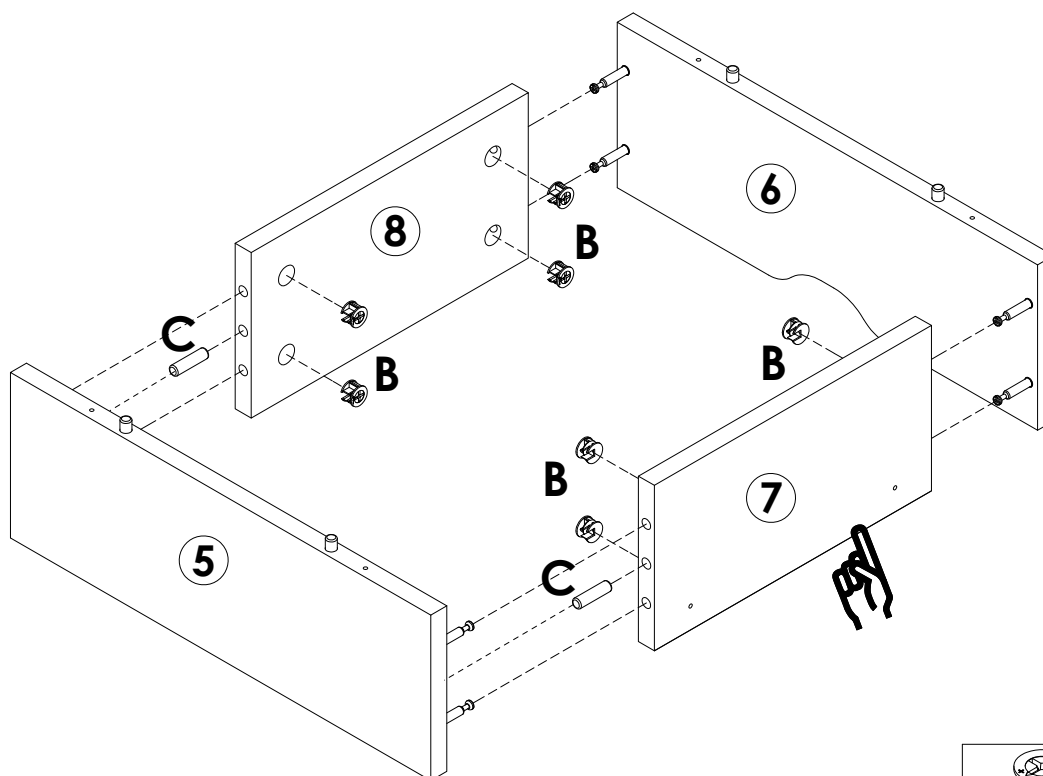
	<b>A x 12</b>		<b>M1 x 2</b>
	<b>D x 12</b>		<b>M2 x 2</b>
	<b>D x 12</b>		<b>M3 x 4</b>



# STEP 2



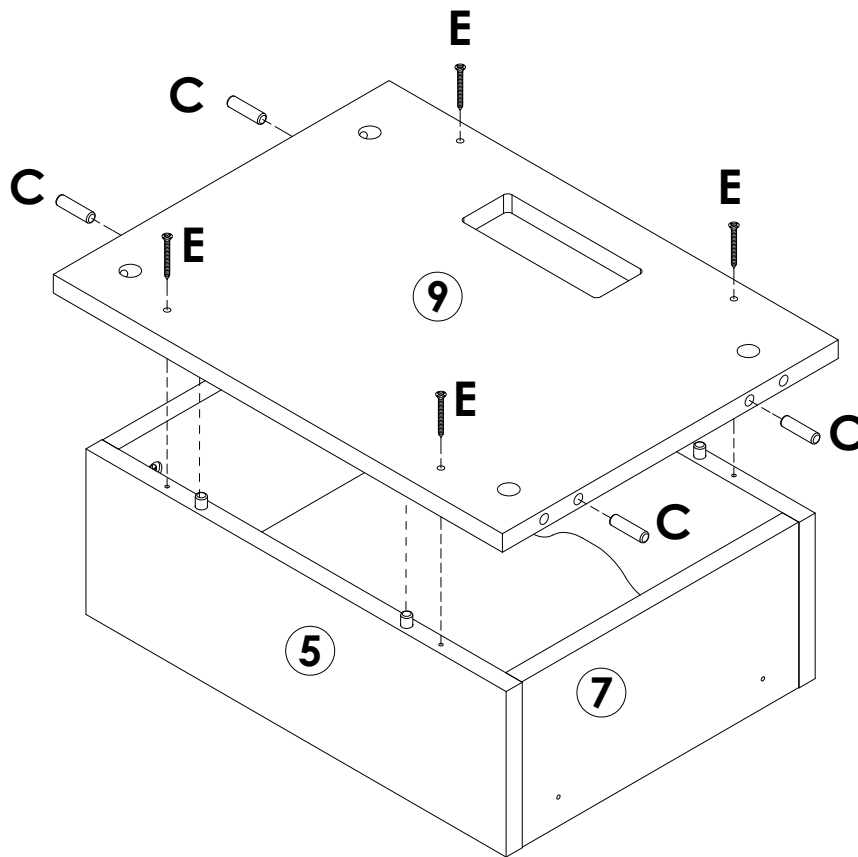
	<b>A x 8</b>
	<b>C x 4</b>

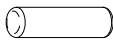

# STEP 3



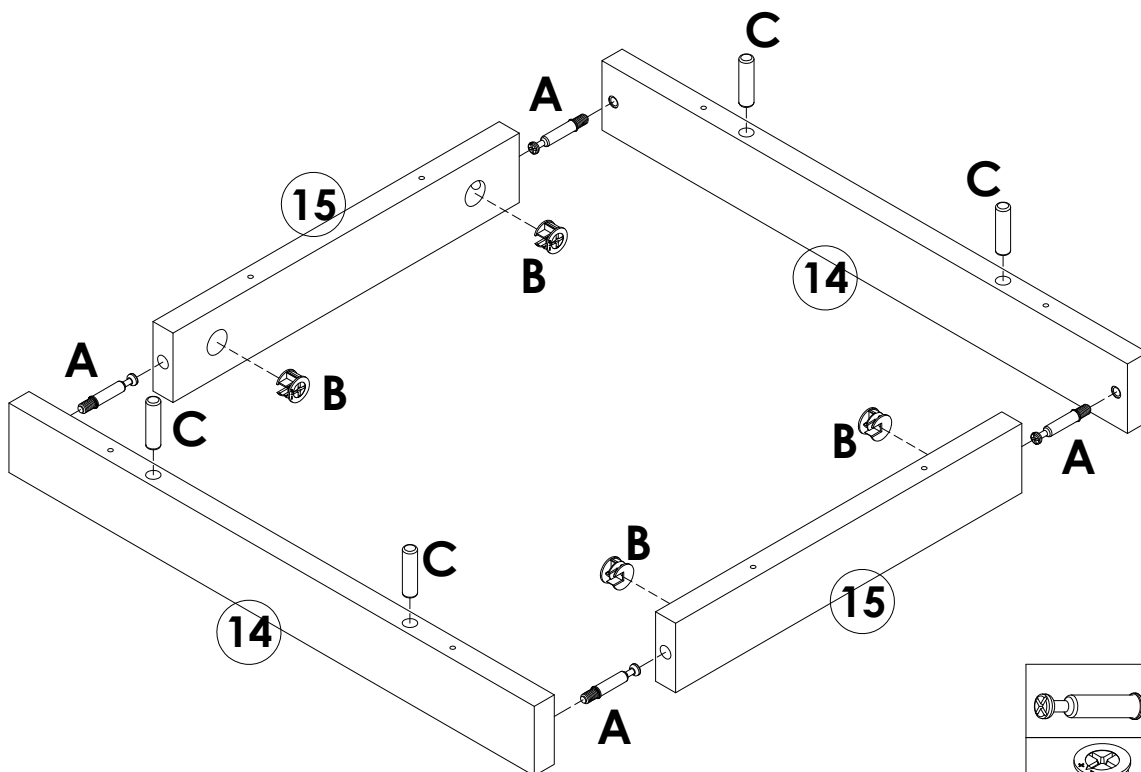
	<b>B x 8</b>
	<b>C x 2</b>

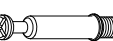


# STEP 4



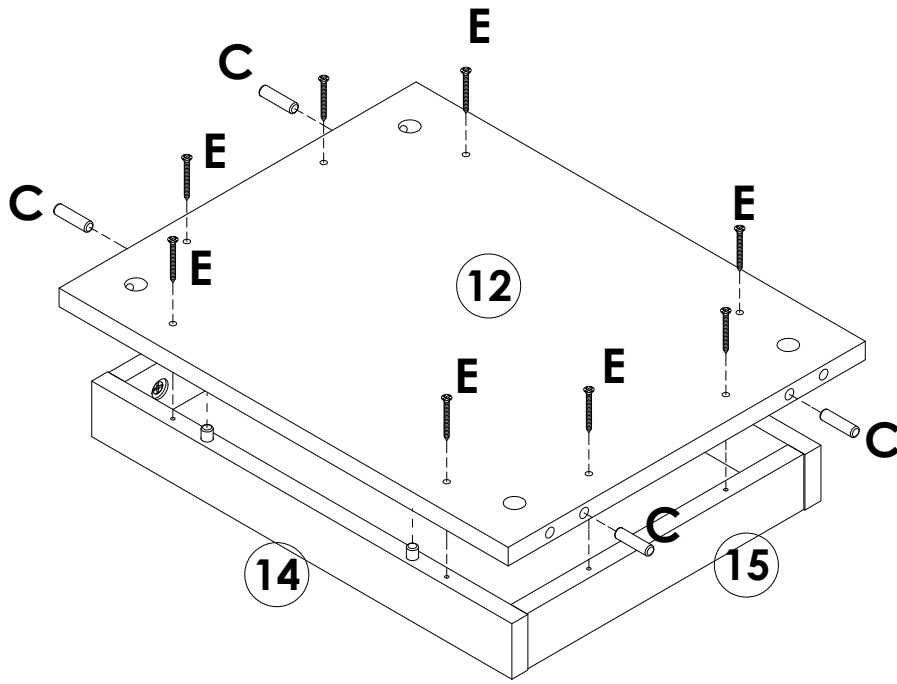
	<b>C x 4</b>
	<b>E x 4</b>



# STEP 5



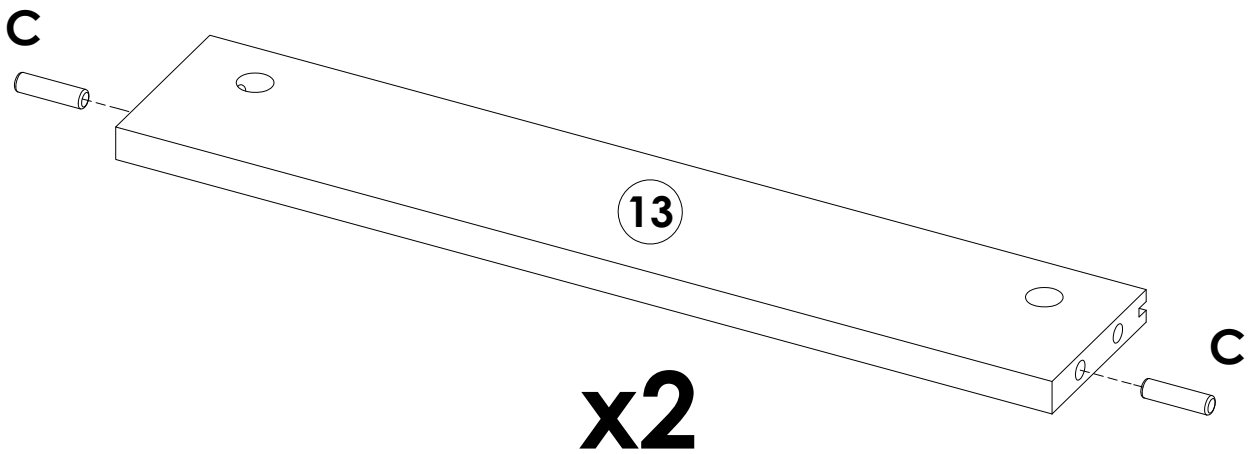
	<b>A x 4</b>
	<b>B x 4</b>
	<b>C x 4</b>

# STEP 6



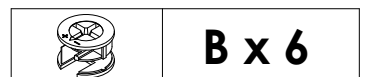
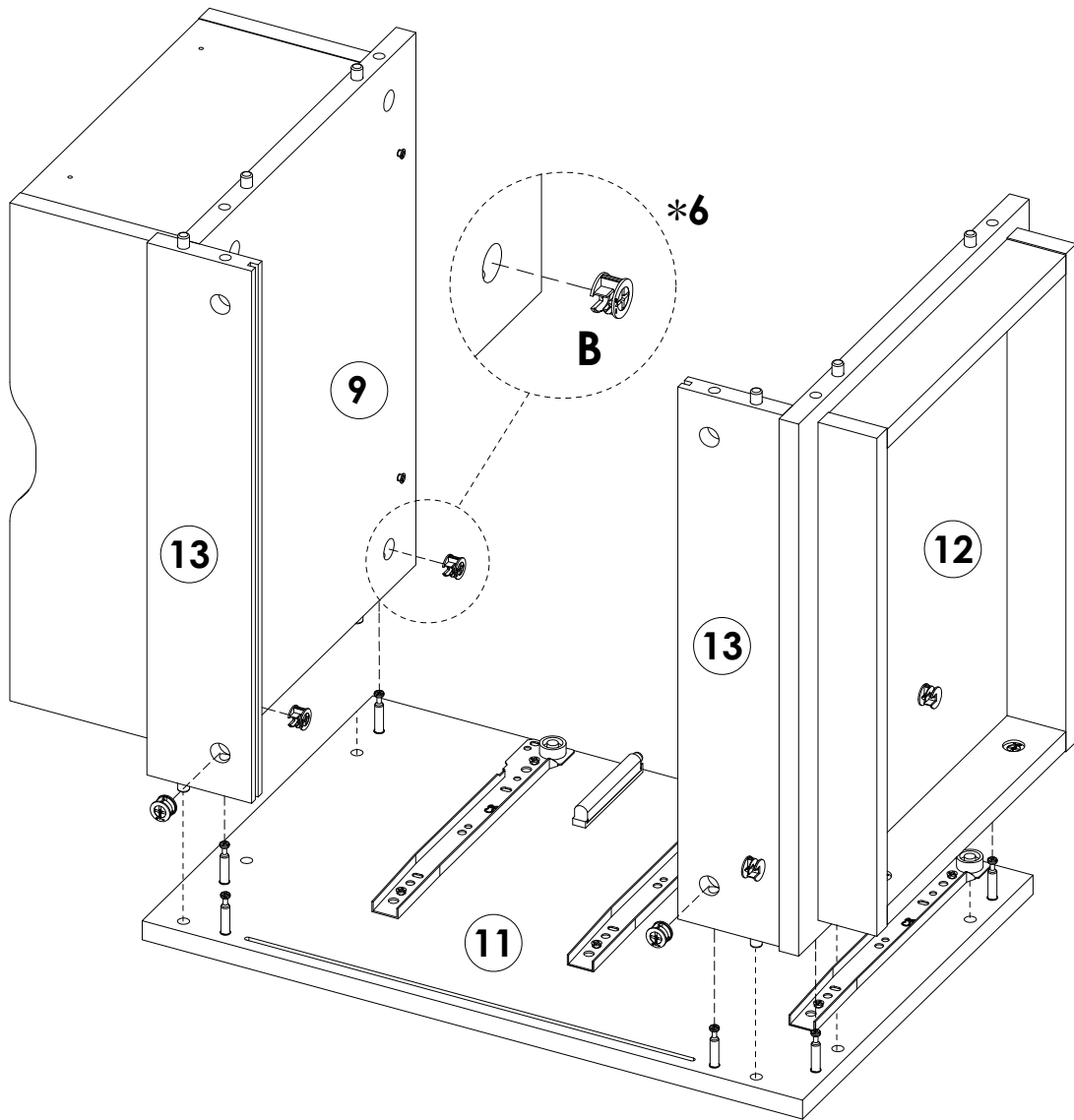
	<b>C x 4</b>
	<b>E x 8</b>

# STEP 7



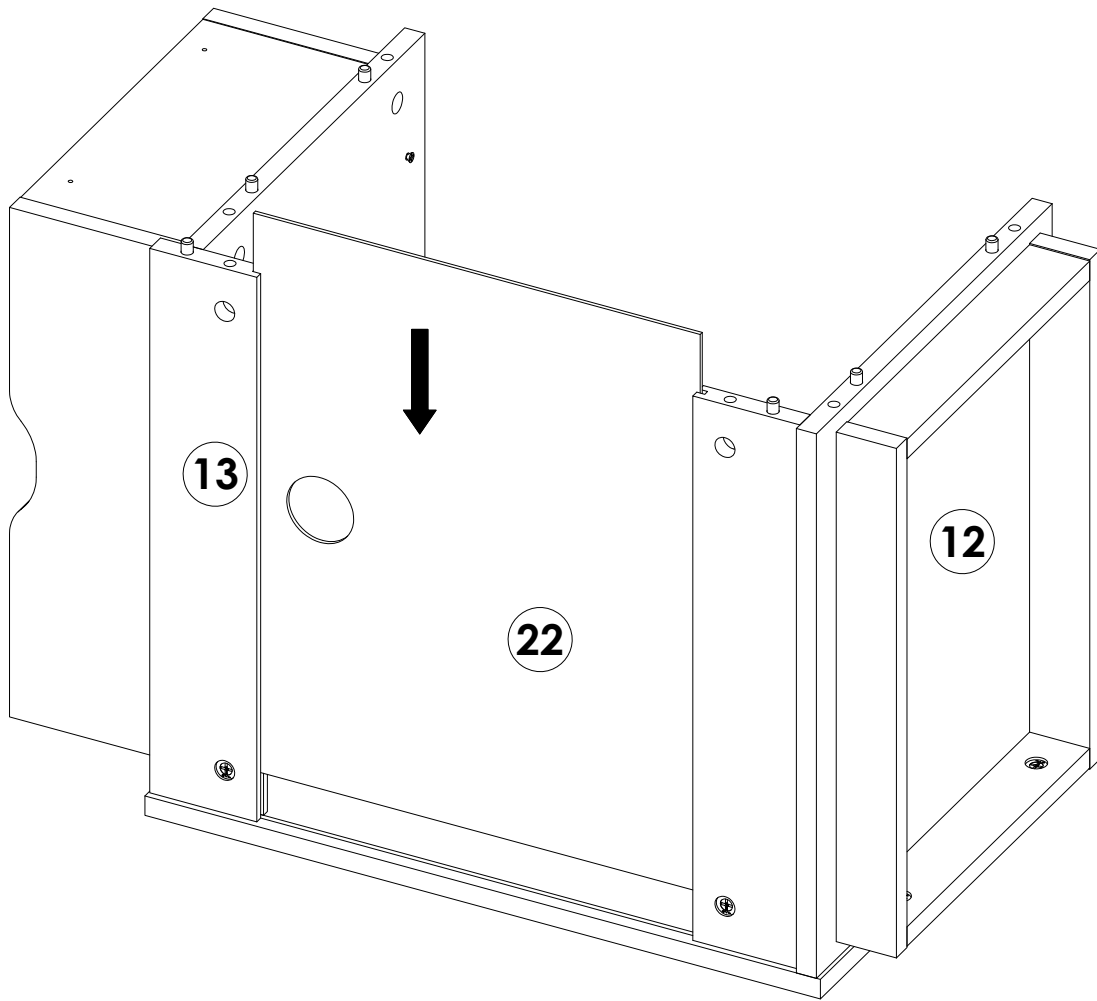
	<b>C x 4</b>
---	--------------

# STEP 8

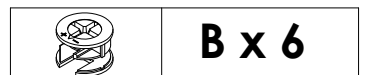
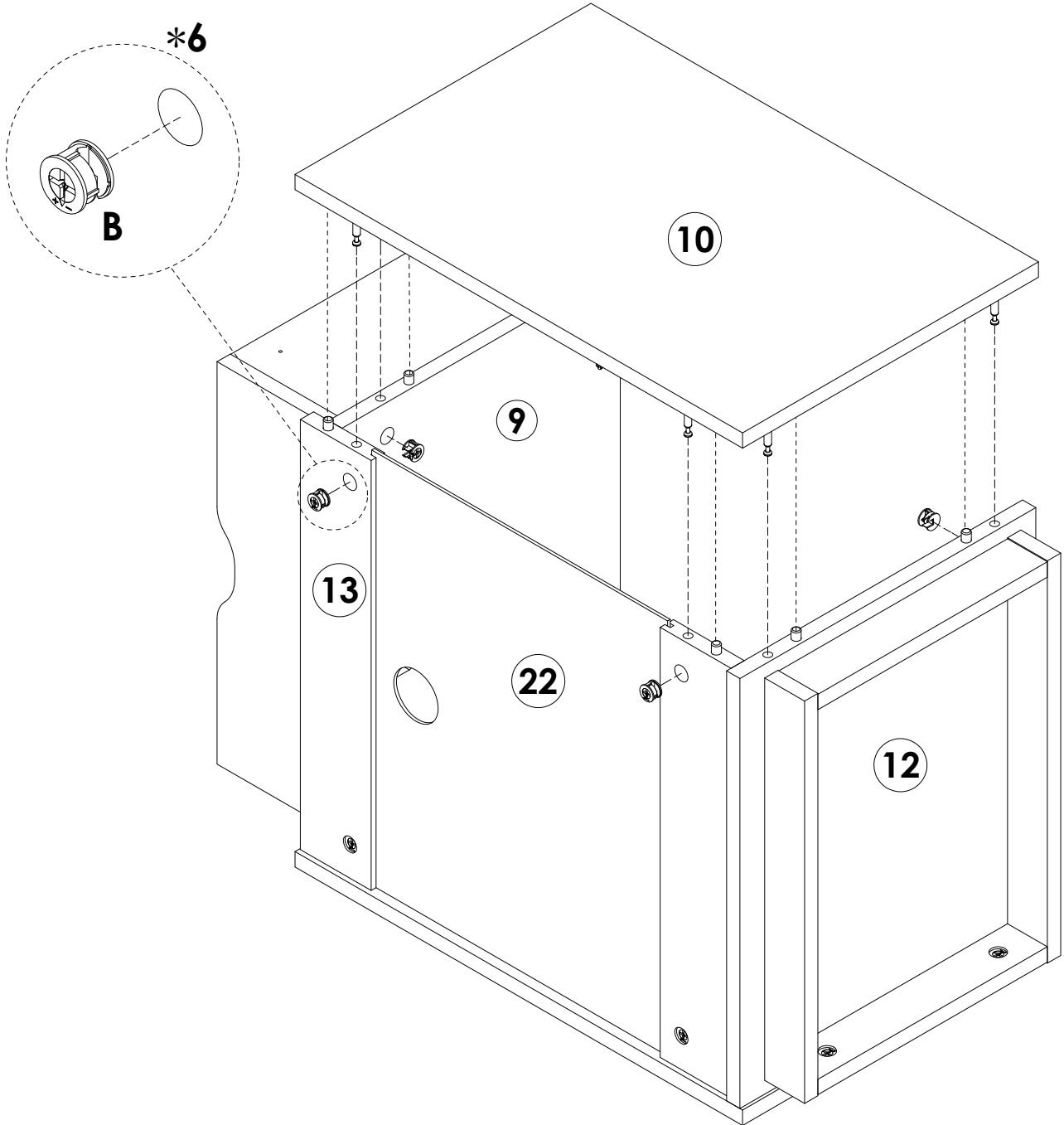


**B x 6**

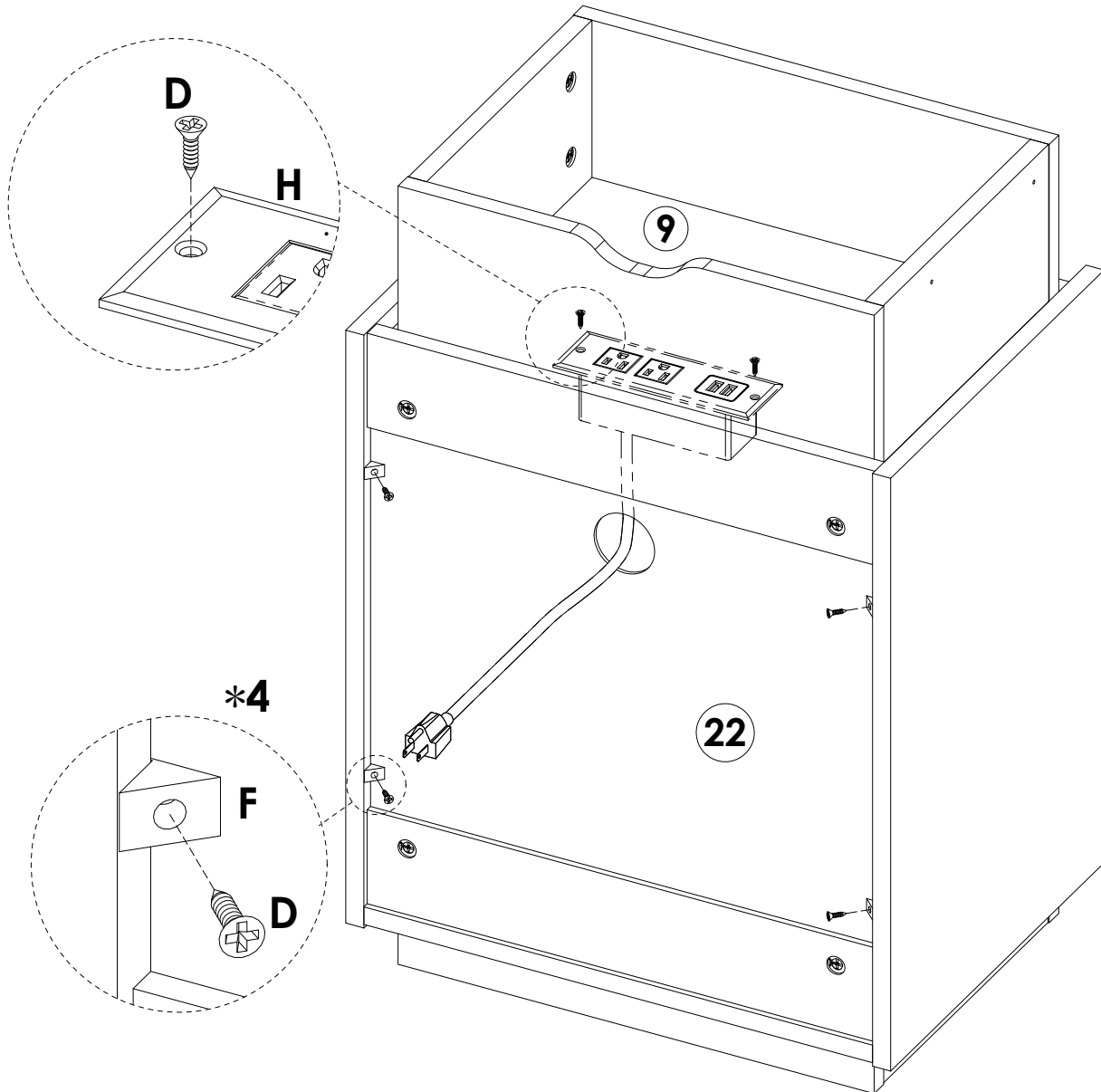
# STEP 9


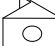



# STEP 10

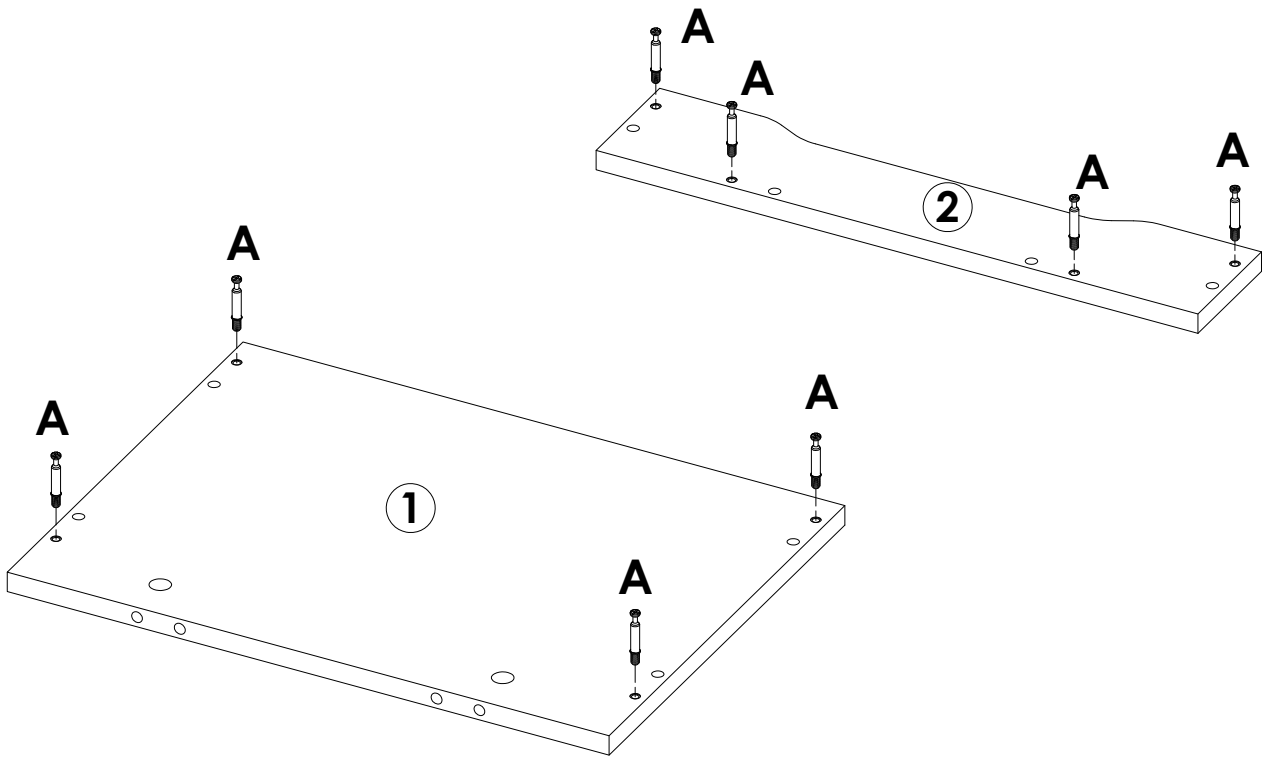


# STEP 11

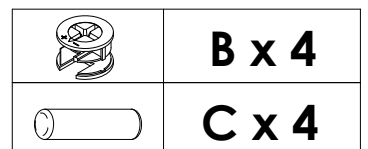
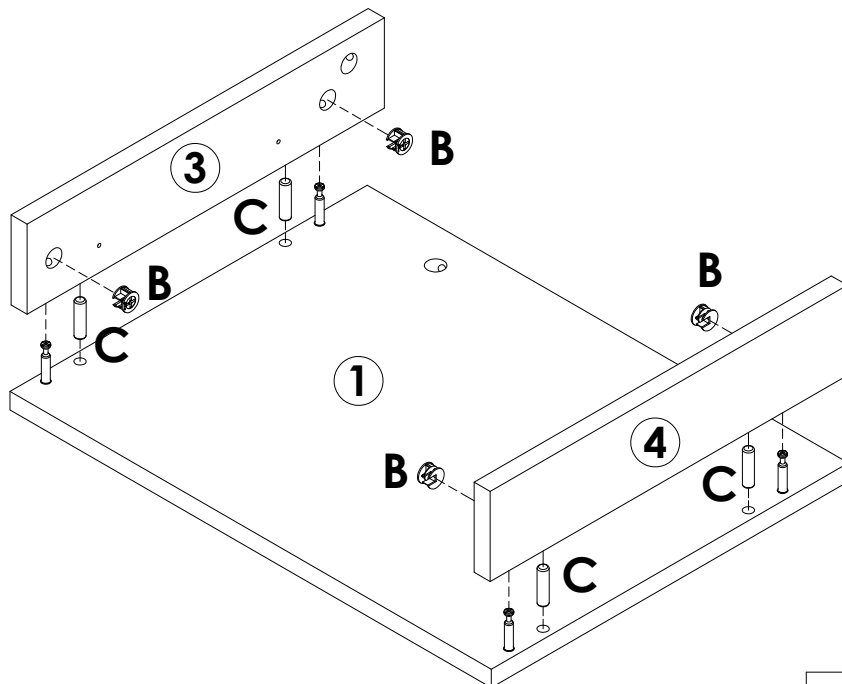


	<b>D x 6</b>
	<b>F x 4</b>
	<b>H x 1</b>

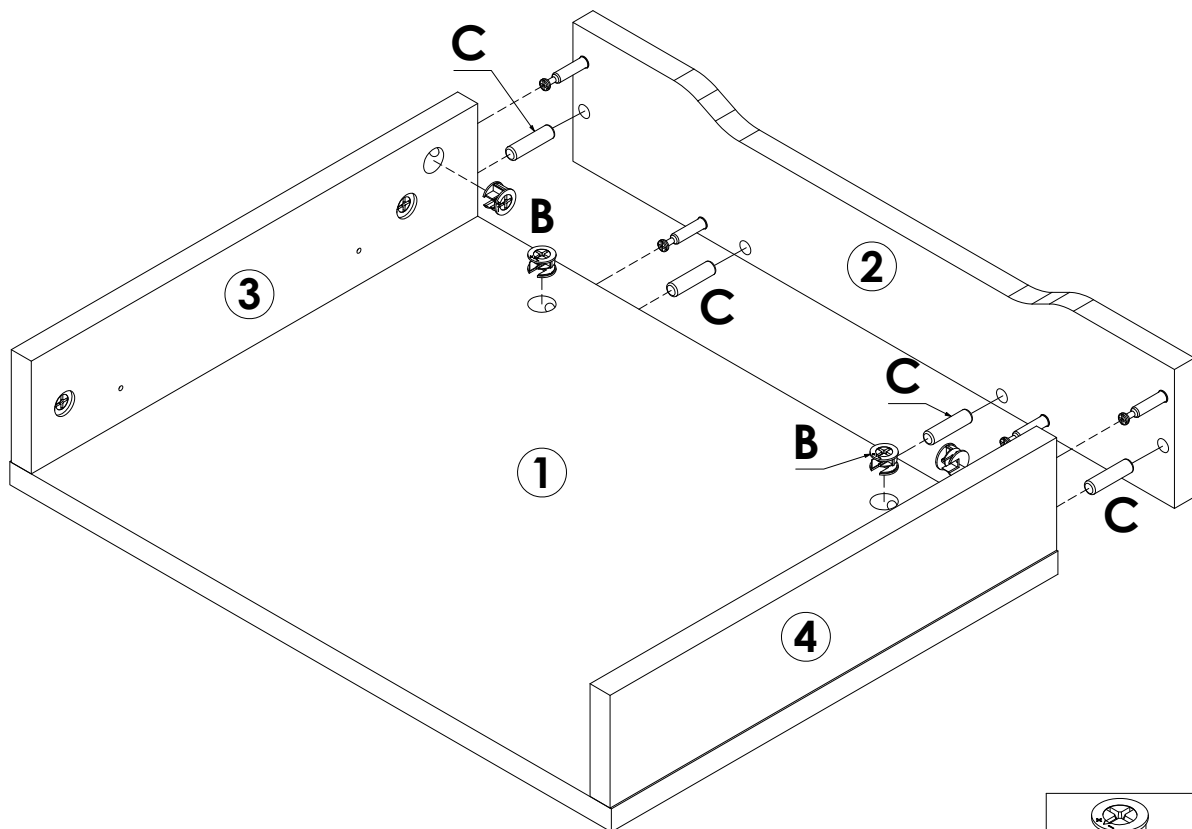
# STEP 12





# STEP 13

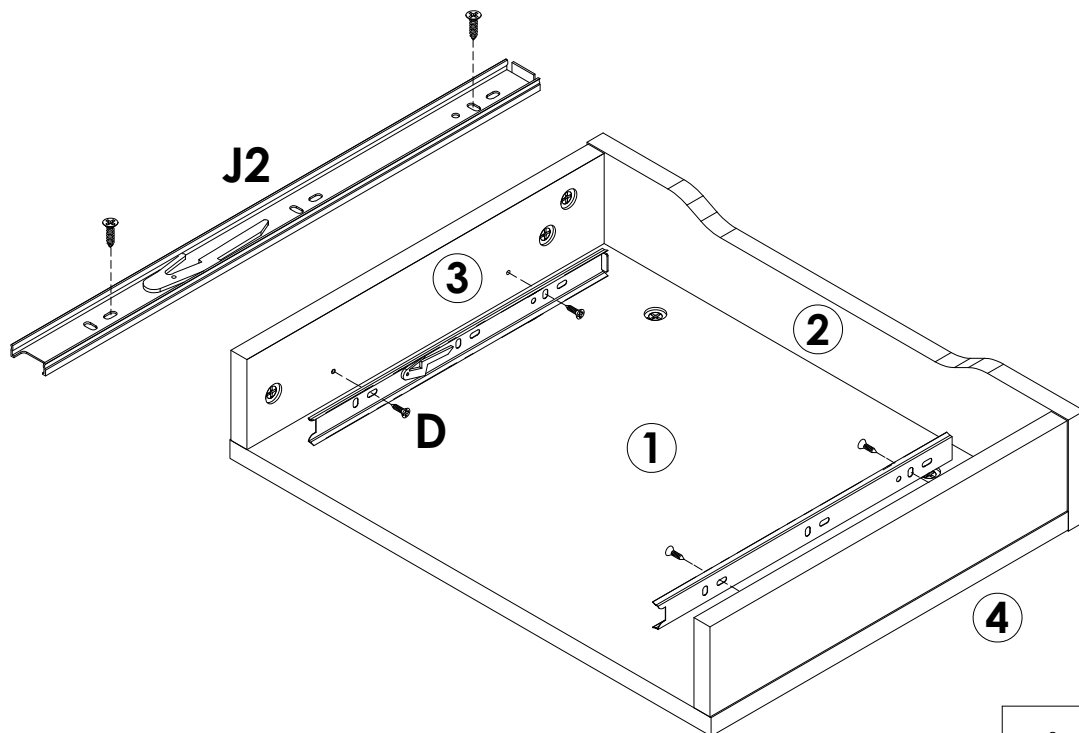




# STEP 14



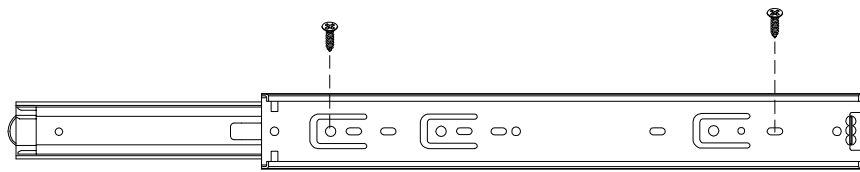
	<b>B x 4</b>
	<b>C x 4</b>

# STEP 15

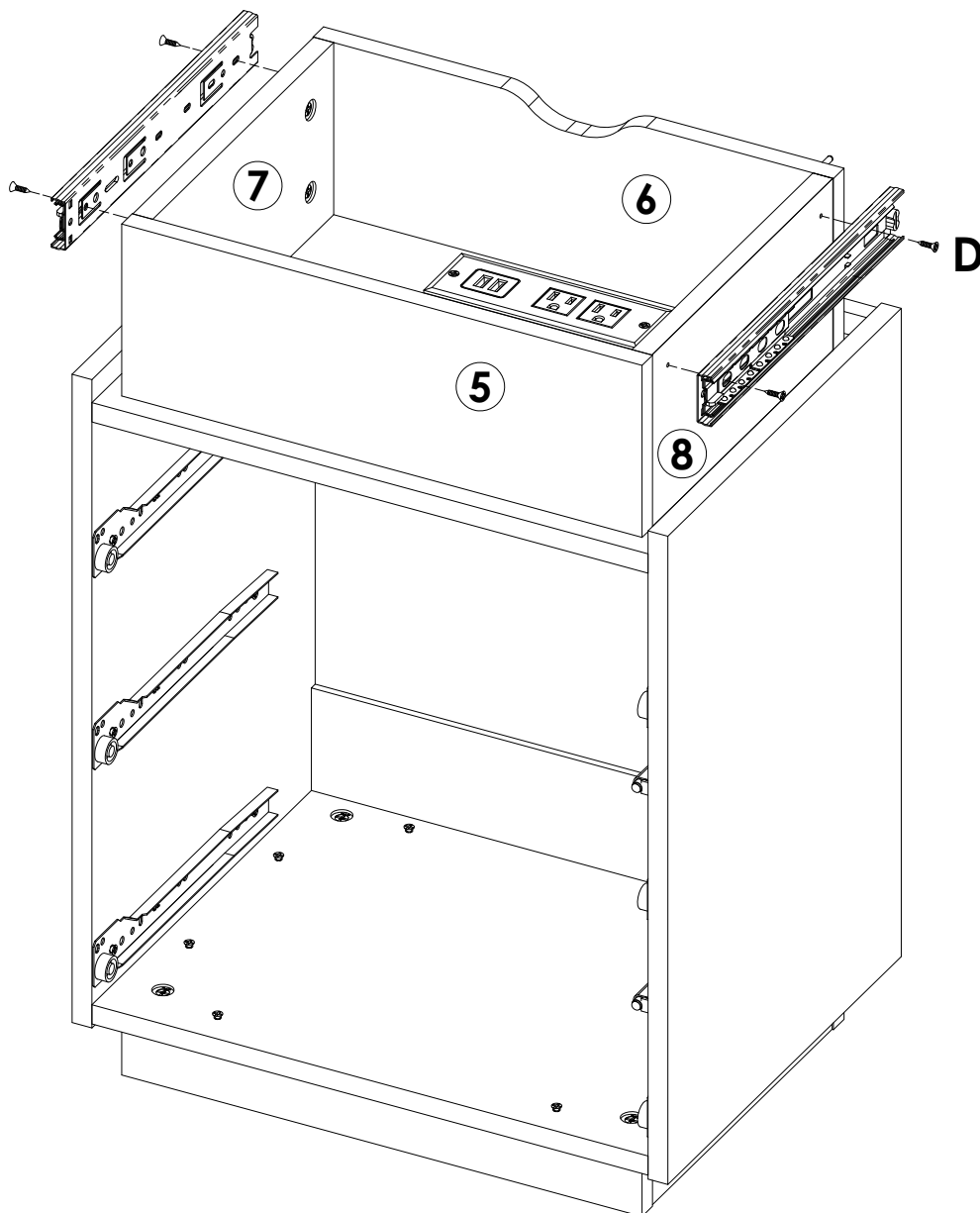




	<b>D x 4</b>
	<b>J2 x 2</b>

# STEP 16



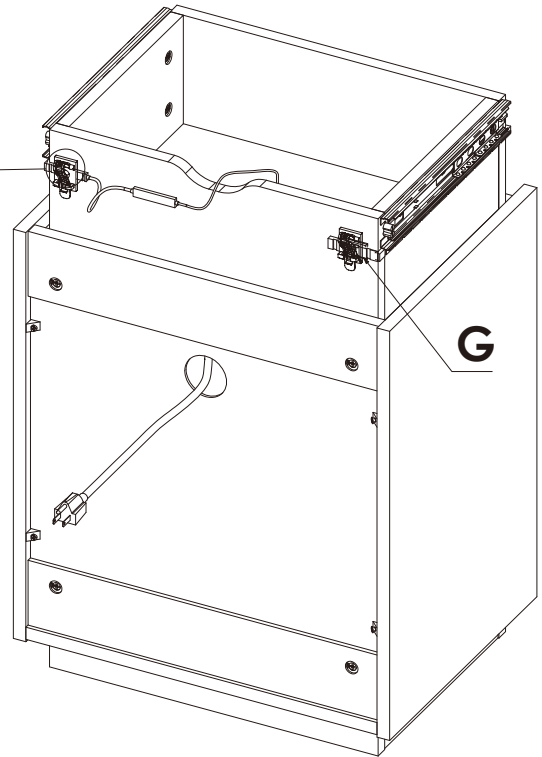
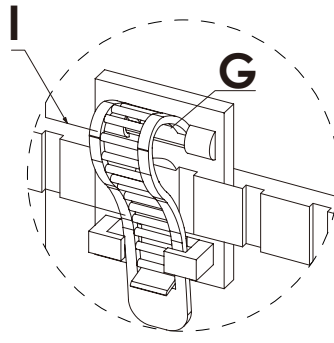
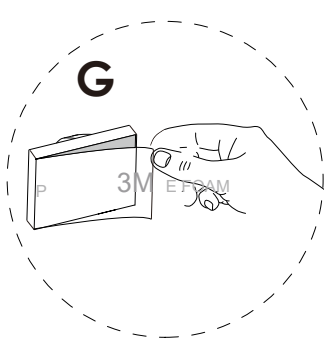
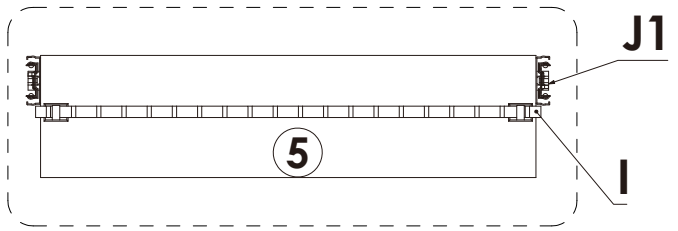
**J1**



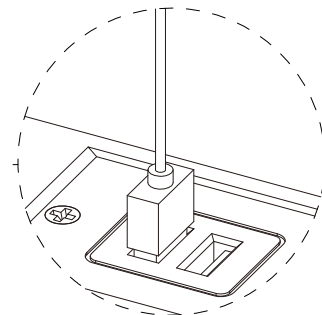
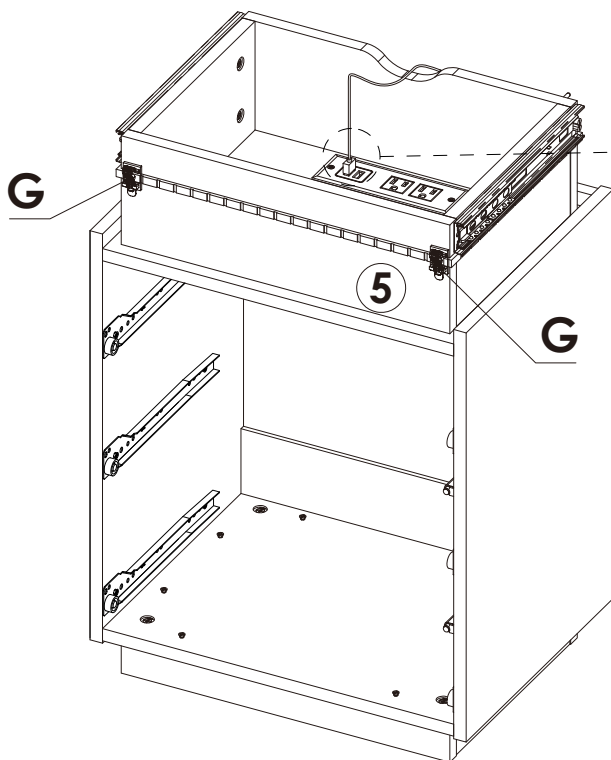
	<b>D x 4</b>
	<b>J1 x 2</b>

# STEP 17

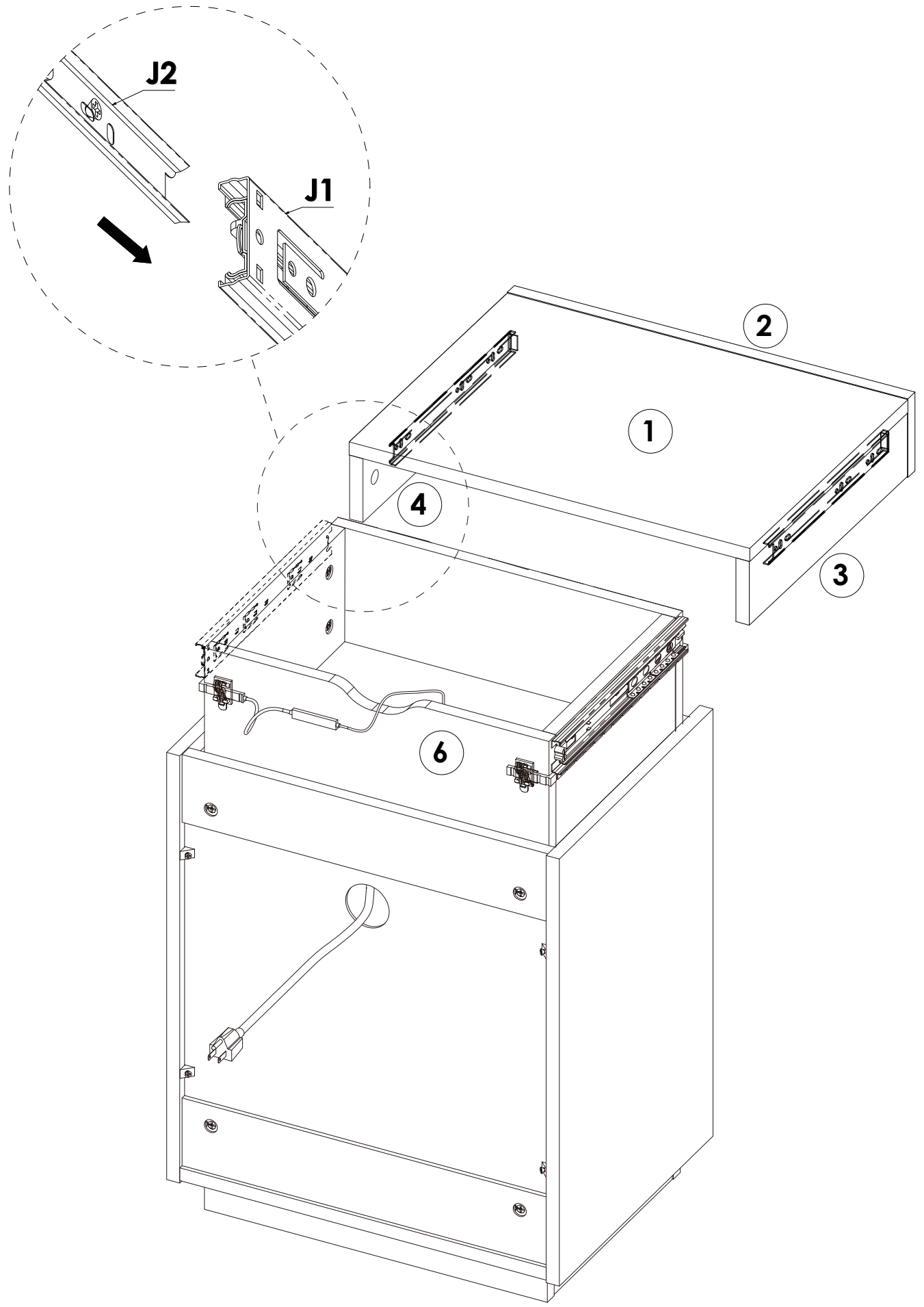
Sticking the light strip close tightly to the lower side of the slide rail J1 will make the appearance more beautiful



6

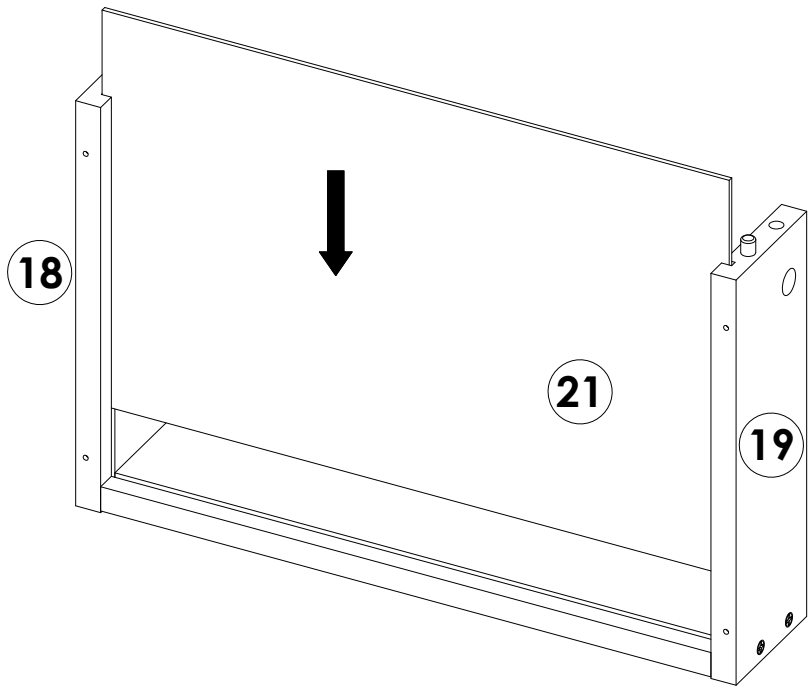
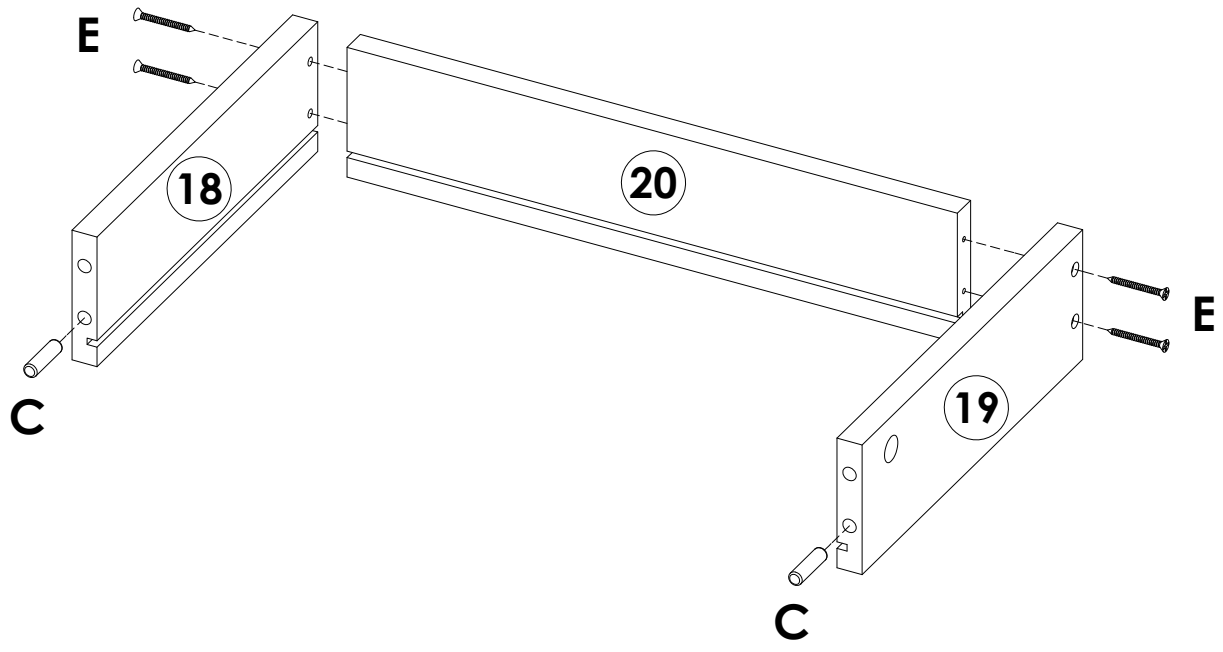




# STEP 18



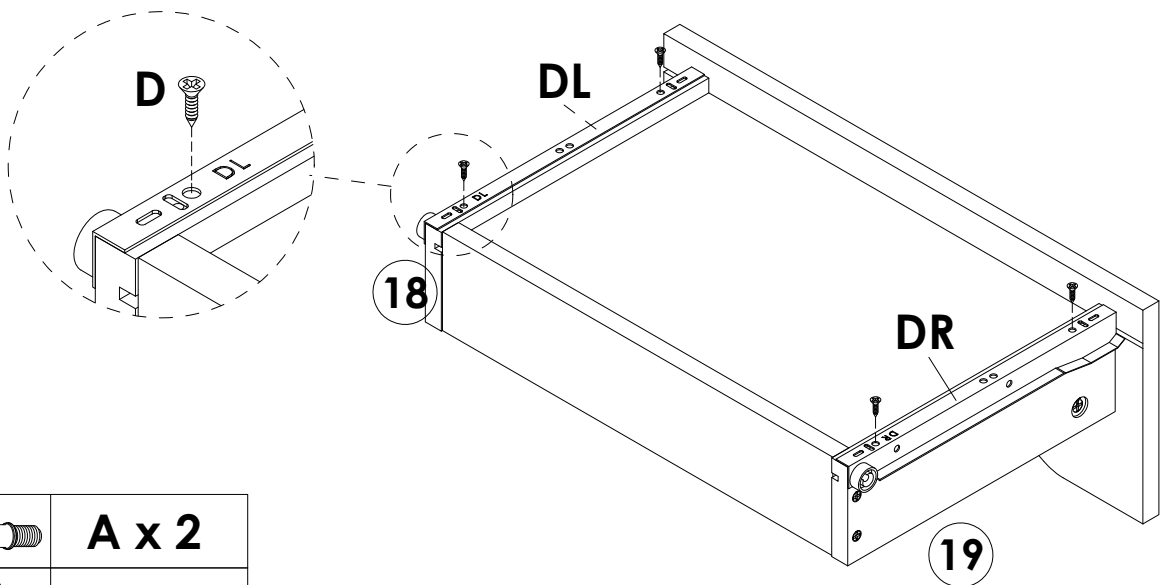
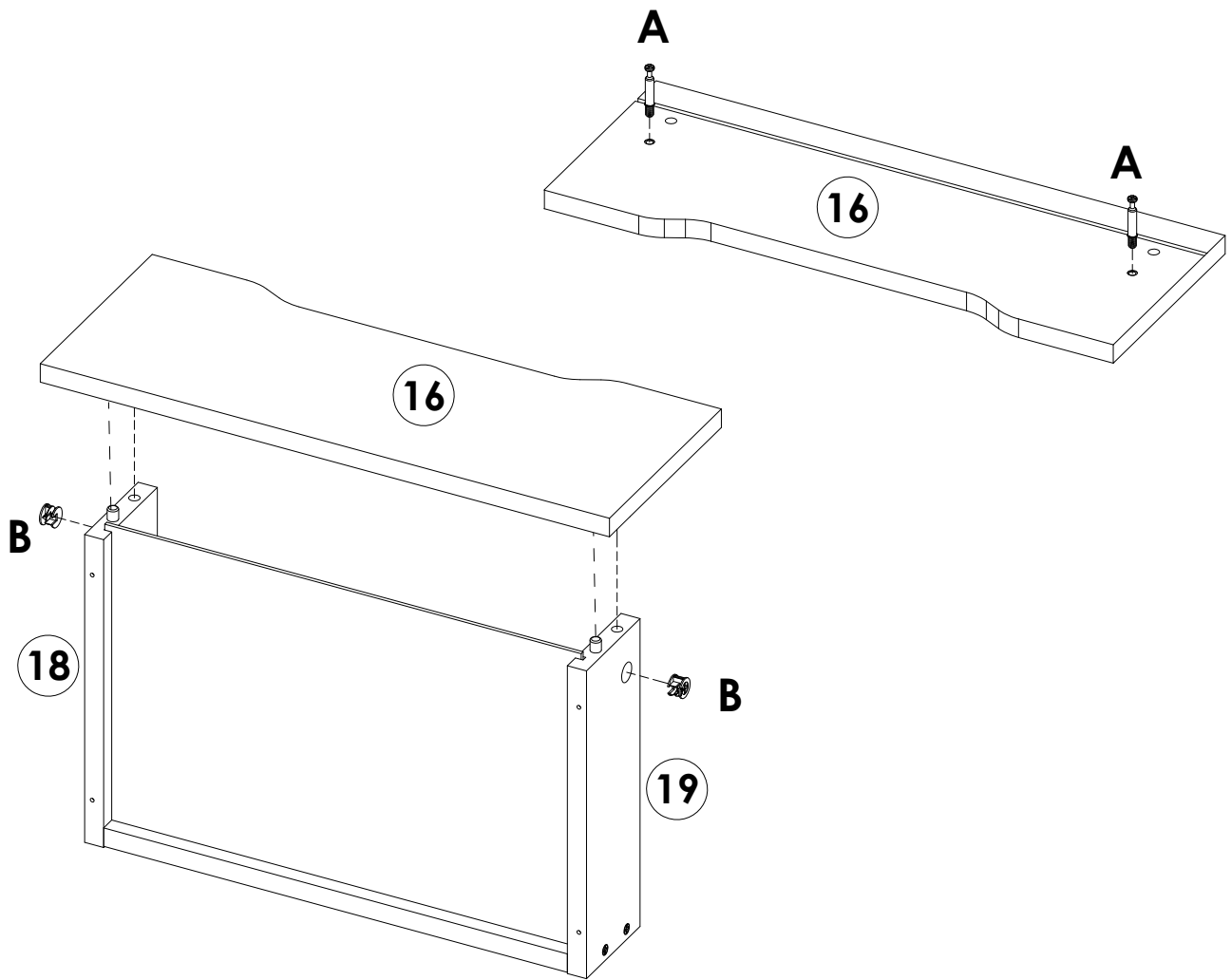
# STEP 19

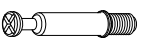


# X3



	<b>C x 6</b>
	<b>E x 12</b>

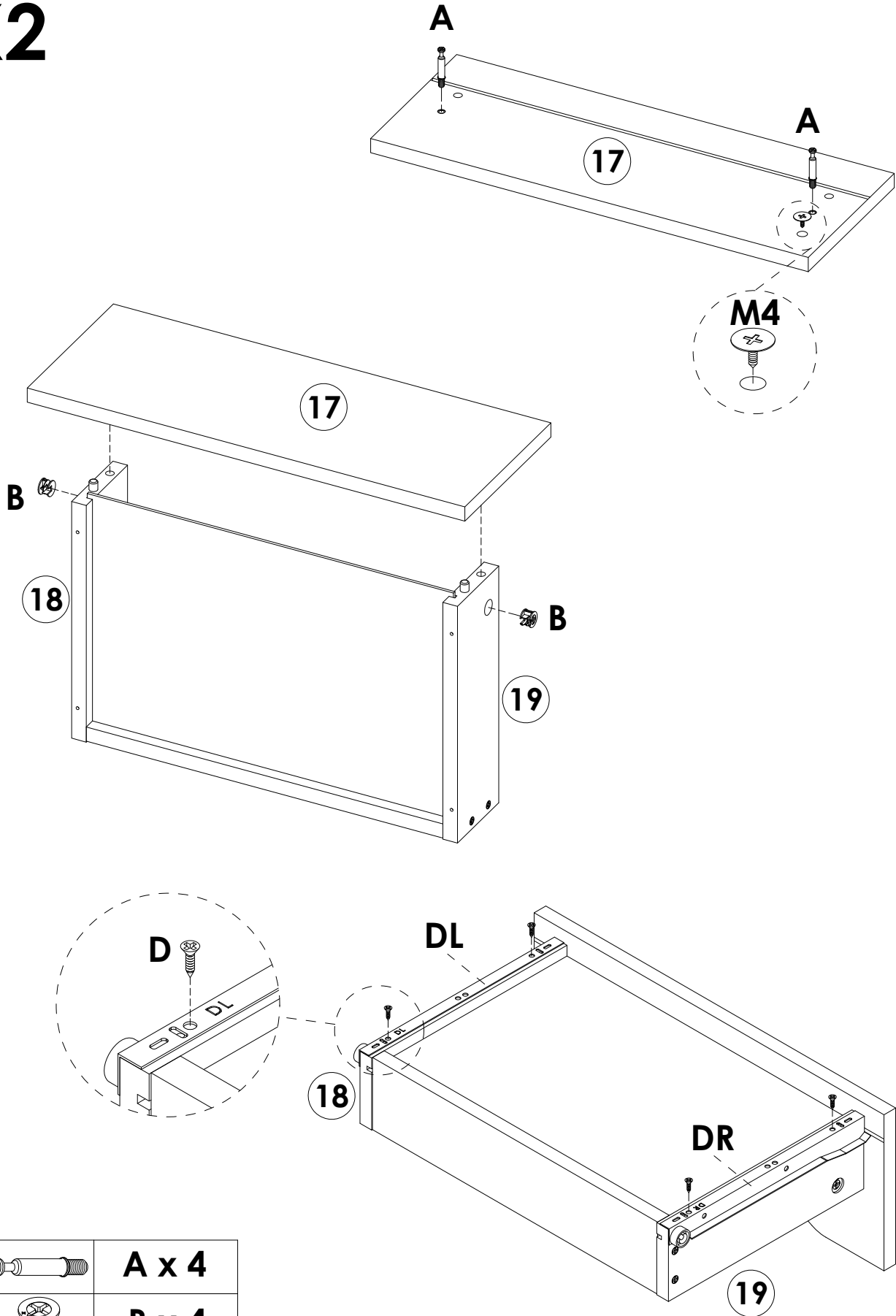
# STEP 20

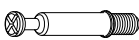





	<b>A x 2</b>
	<b>B x 2</b>
	<b>D x 4</b>

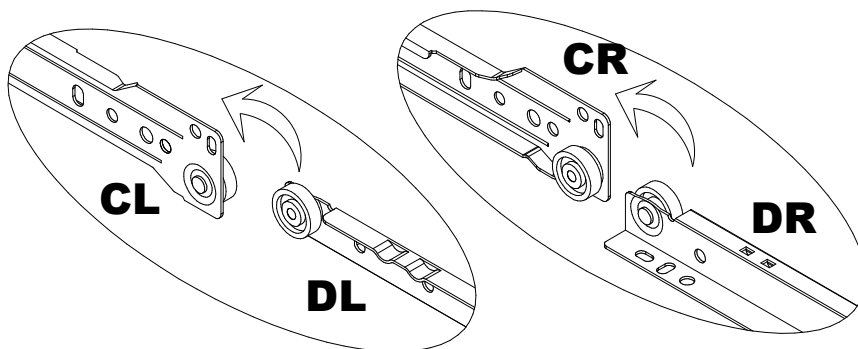
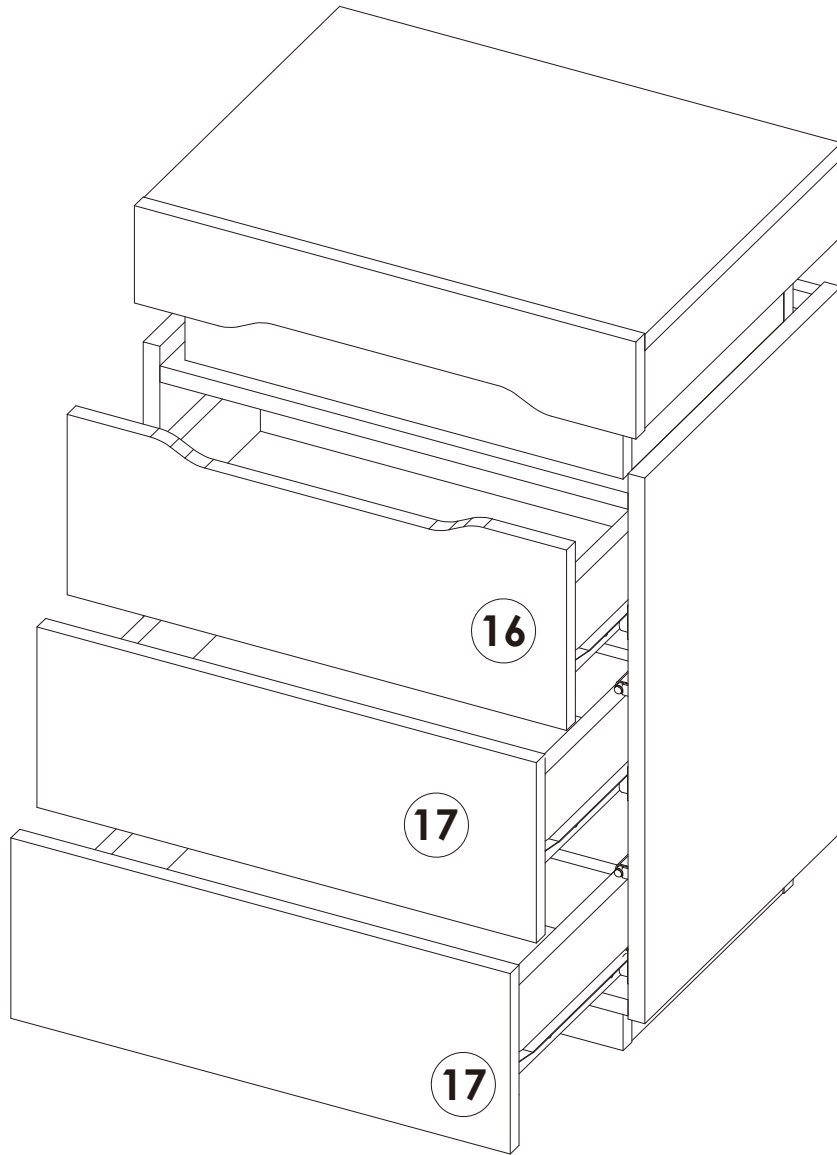
# STEP 21

X2

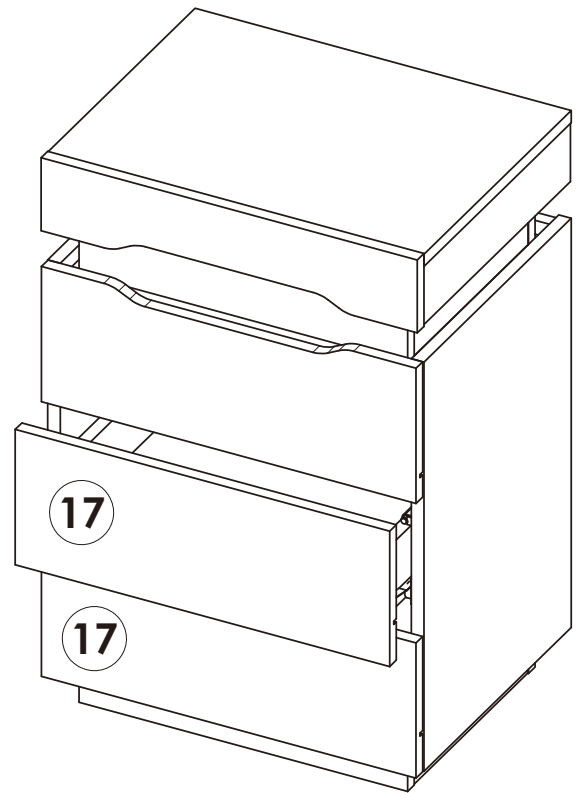
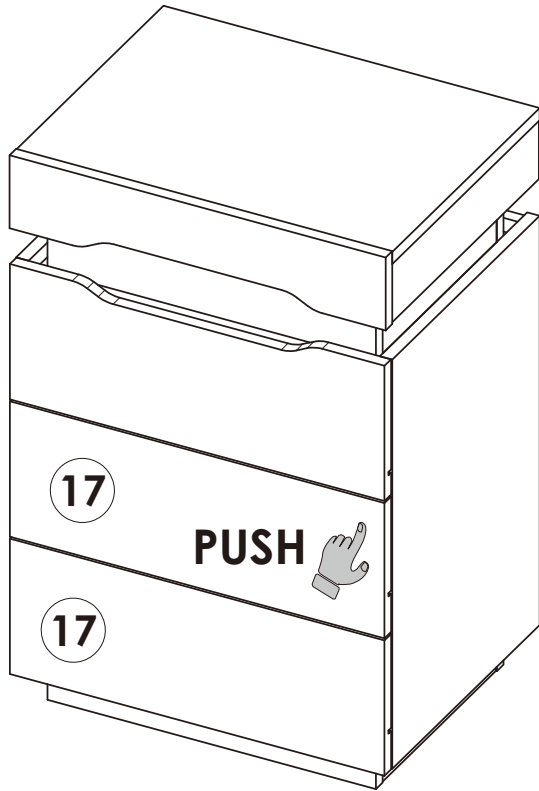


	<b>A x 4</b>
	<b>B x 4</b>
	<b>D x 8</b>
	<b>M4 x 2</b>

# STEP 22



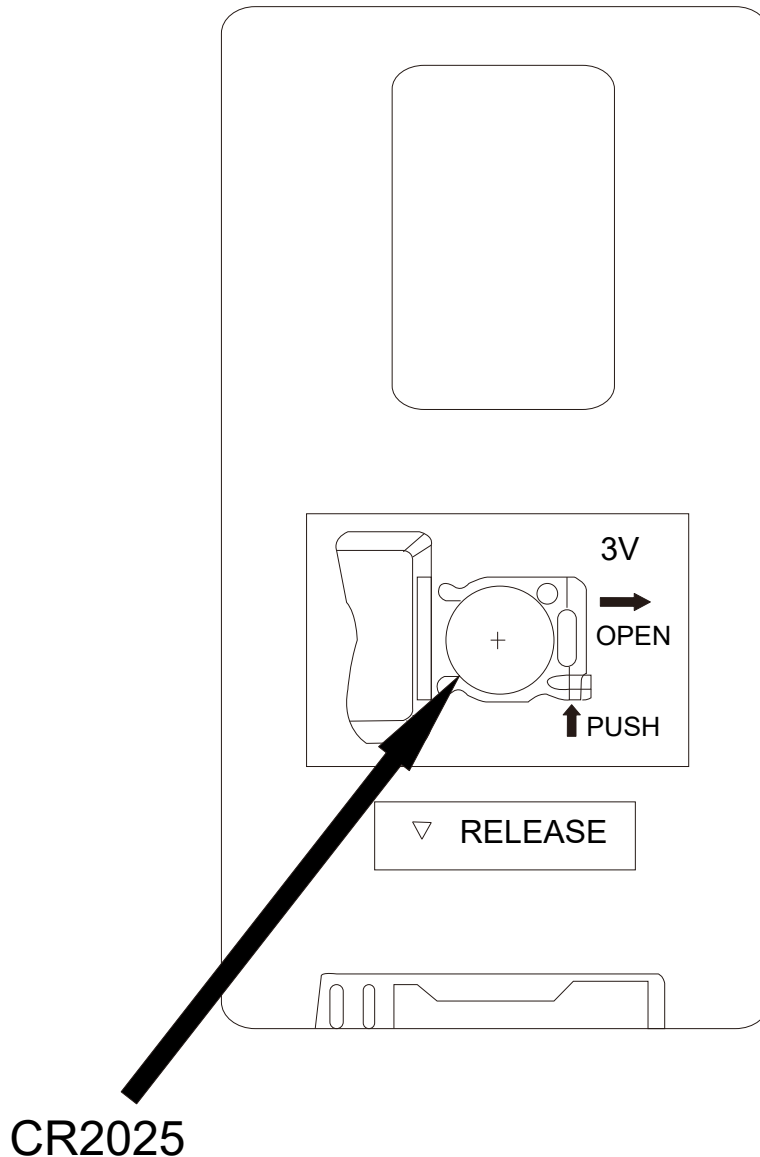
# STEP 23



# STEP 24

## LED light

You need to install the battery before using the remote control



If the lights are not working properly, please check the following:

1. Please check the remote control sensor cover, pull out the plastic cover.
2. Don't use the remote too far from the receiver, may sure you have a clear line of sight.