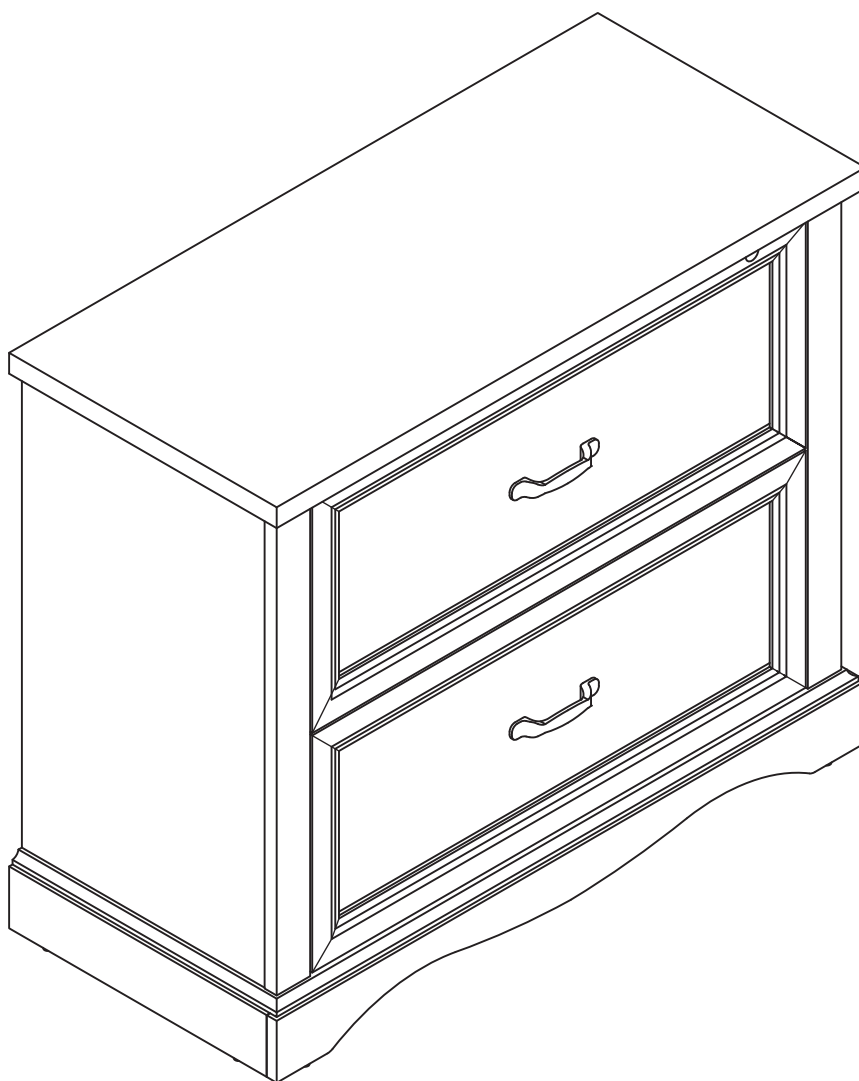


Farmhouse File Cabinet

ASSEMBLY, CARE & USE INSTRUCTIONS



PRQ25072101

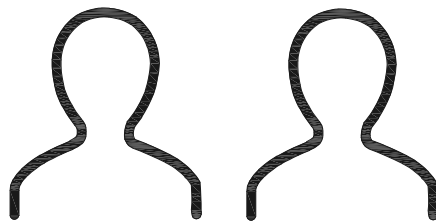
THANK YOU

We appreciate the trust to purchase our Farmhouse File Cabinet. We strive to continually create quality products designed to enhance your home. Visit us online to see our full line of products available for your home improvement needs. Thank you for choosing us!



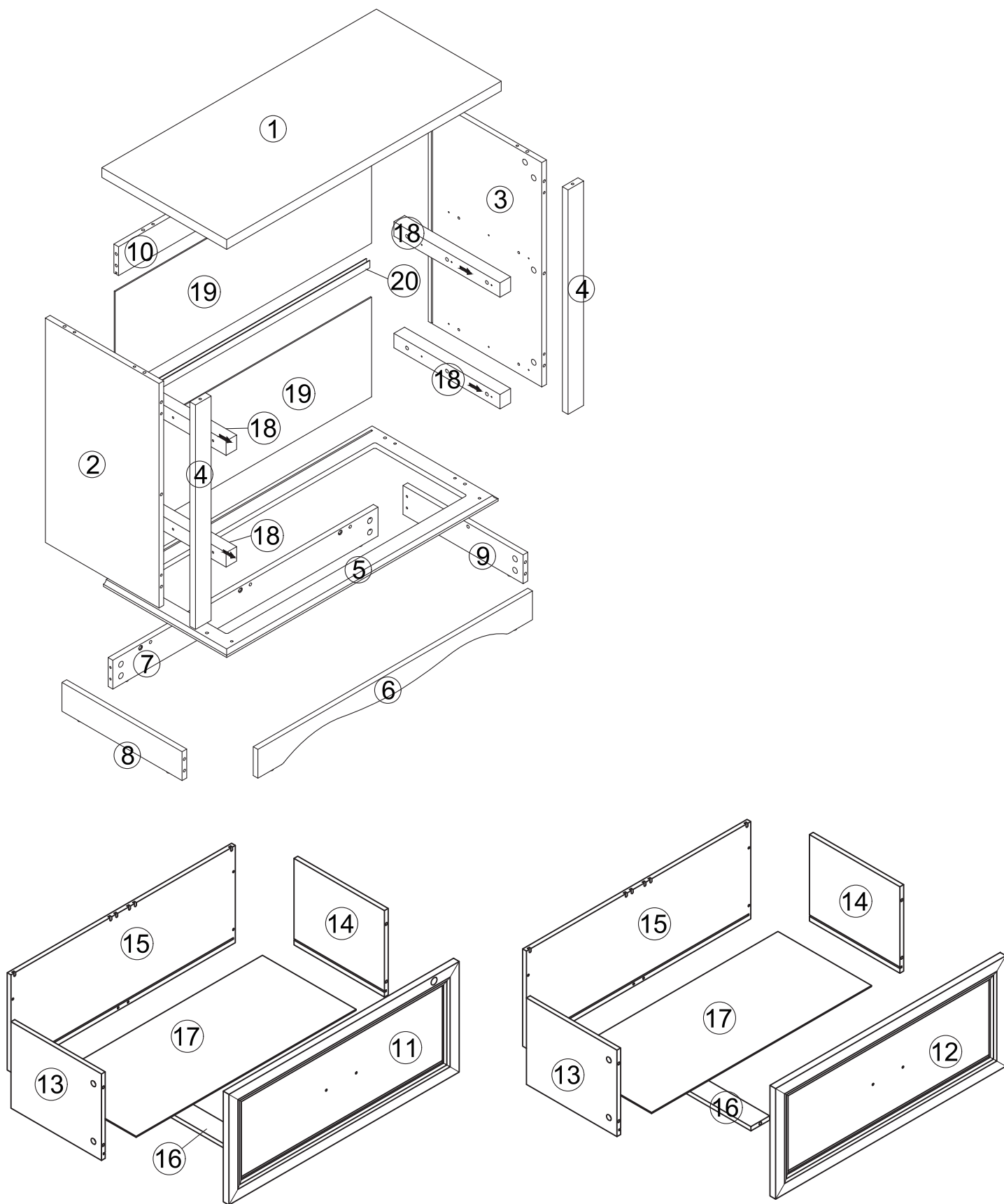
Estimated time for assembly:

40 mins

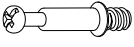



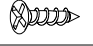
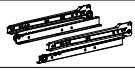
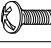


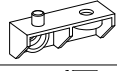

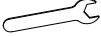



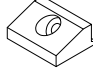


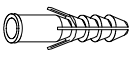





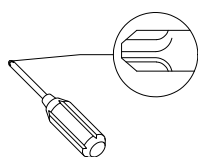
2 Personer

PACKAGE CONTENTS



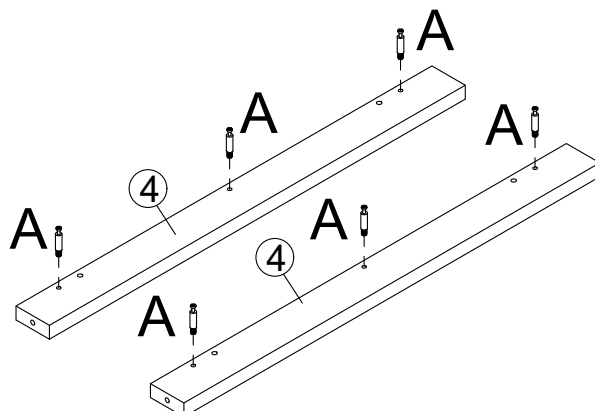
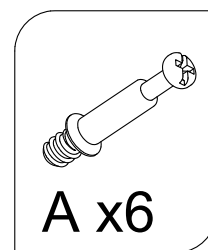
Hardware List

A		ø6x33.5mm	Cam bolt	35+2 PCS
B		ø15x9.5mm	Cam lock	35+2 PCS
C		ø8x30mm	Wood dowel	26+2 PCS
D		ø4x30mm	Screw	24+2 PCS
E		ø3.5x12mm	Screw	24+2 PCS
F		L300mm	Drawer slider	2 PCS
G		ø4x8mm	Handle bolt	4 PCS
H			Handle	2 PCS
I		M6x12mm	Bolt	16+1 PCS
J			Connector	8 PCS
K			Drawer lock	1 PCS
L		22#	Wrench	1 PCS
M		ø6x48mm	Screw	4 PCS
N		M4	Hex key	1 PCS
O		L301mm		4 PCS
P			Back buckle	6 PCS
Q		ø3x16mm	Flat-head screw	6 PCS
R		190x20mm	Anti-slip strip	2 PCS
S		ø8x40mm	Plastic expansion	2 PCS
T		ø4x16mm	Screw	2 PCS
U		ø4x38mm	Screw	2 PCS
V		ø30mm	Sticker	35+2 PCS

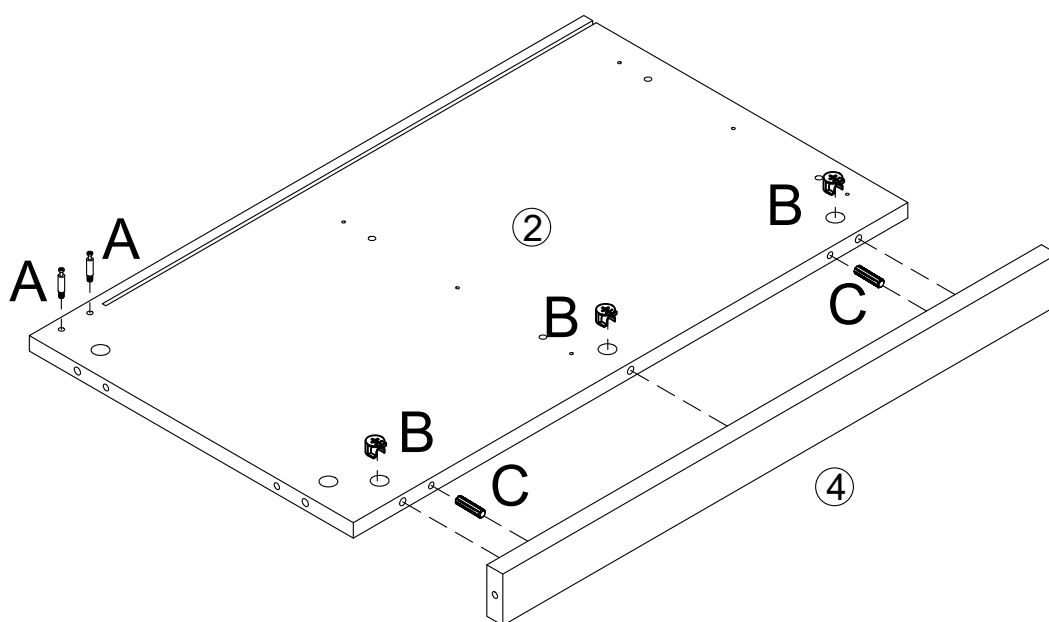
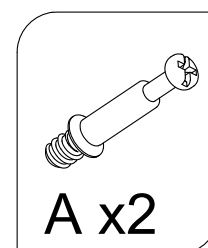
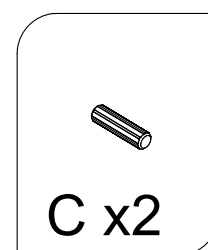
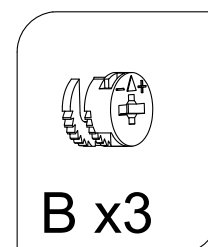


Philips head screwdriver required for assembly
(not included)

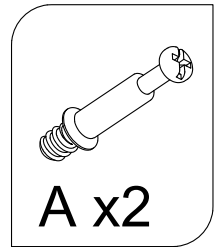
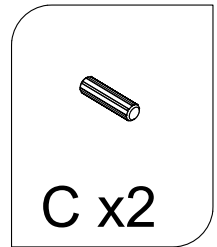
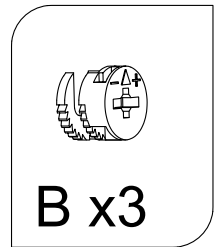
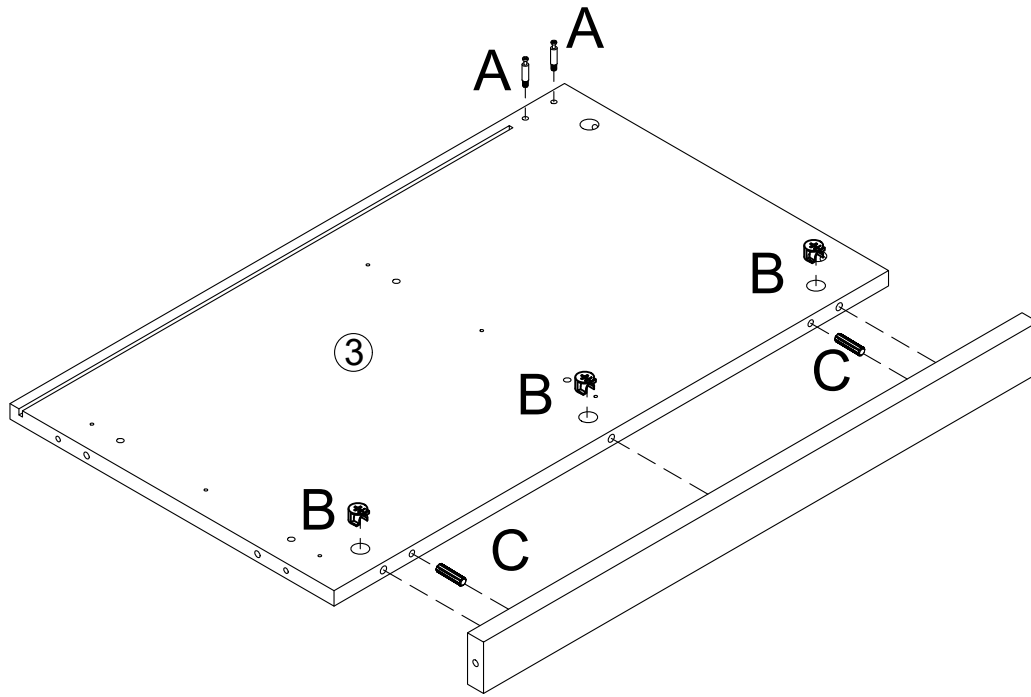
Step 1



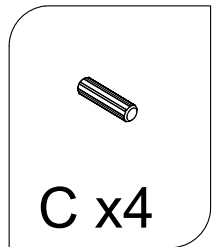
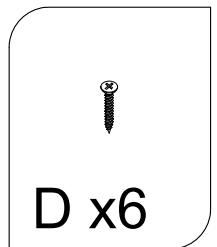
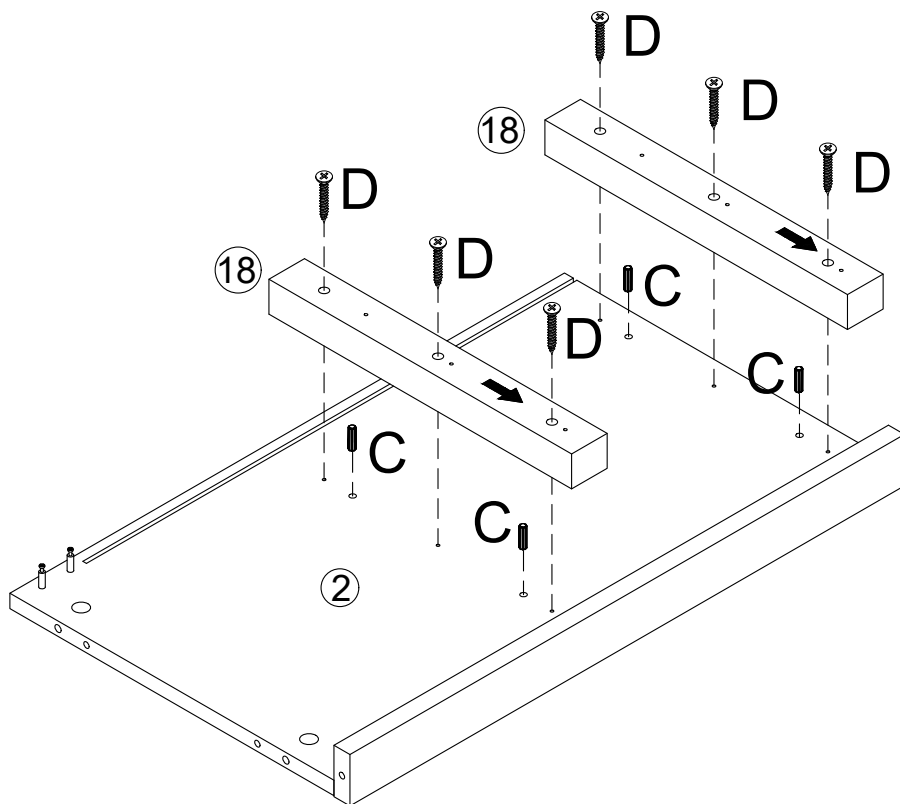
Step 2



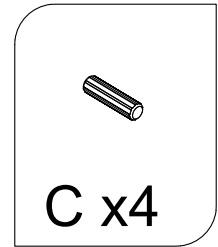
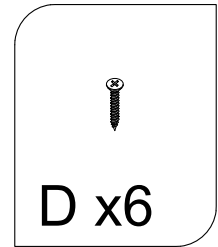
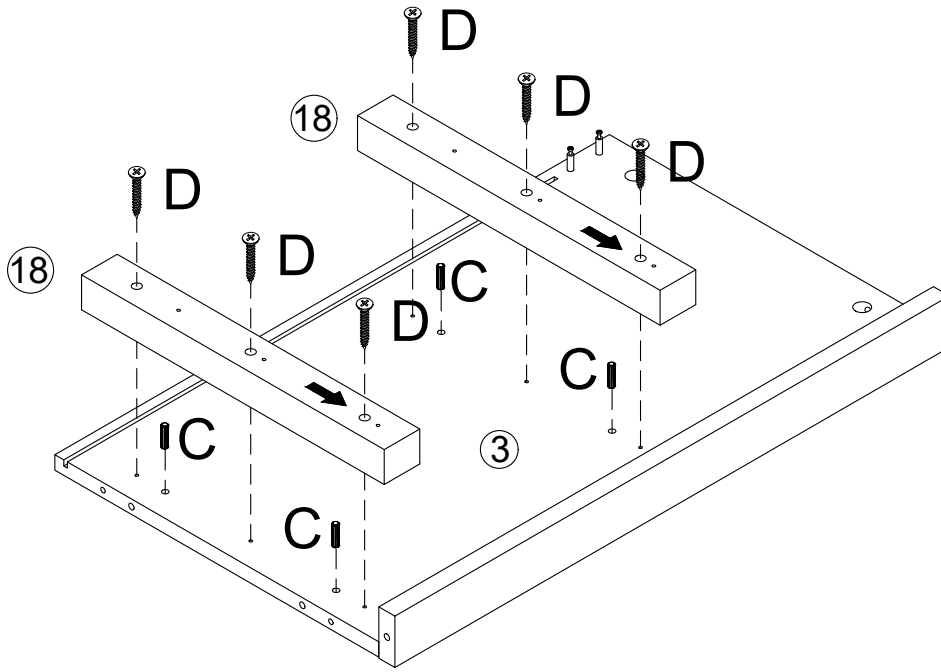
Step 3



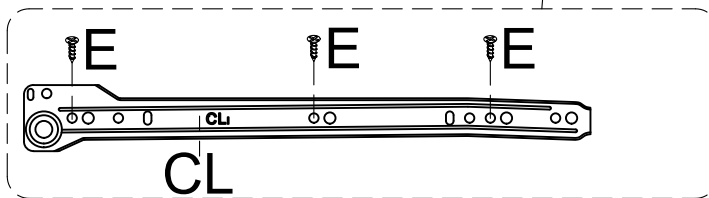
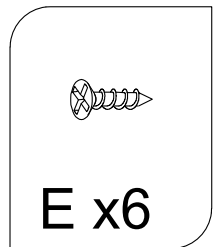
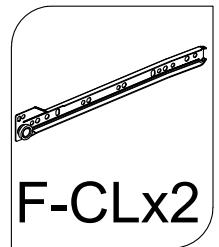
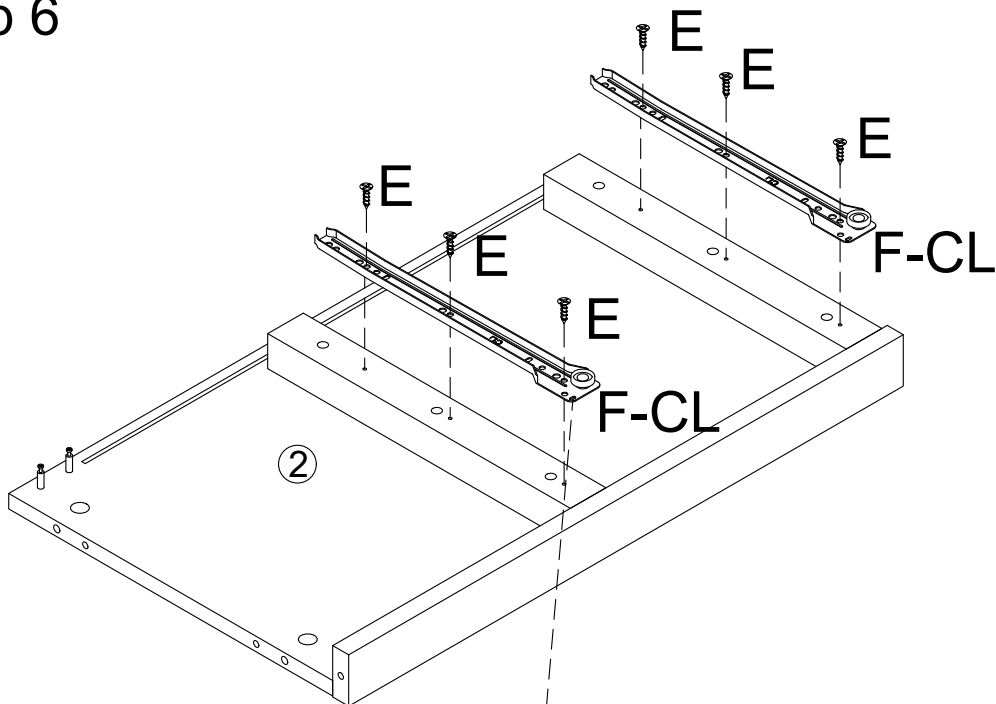
Step 4



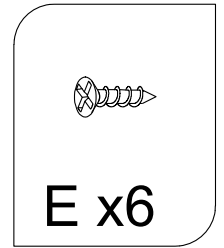
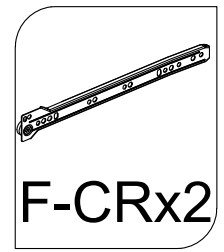
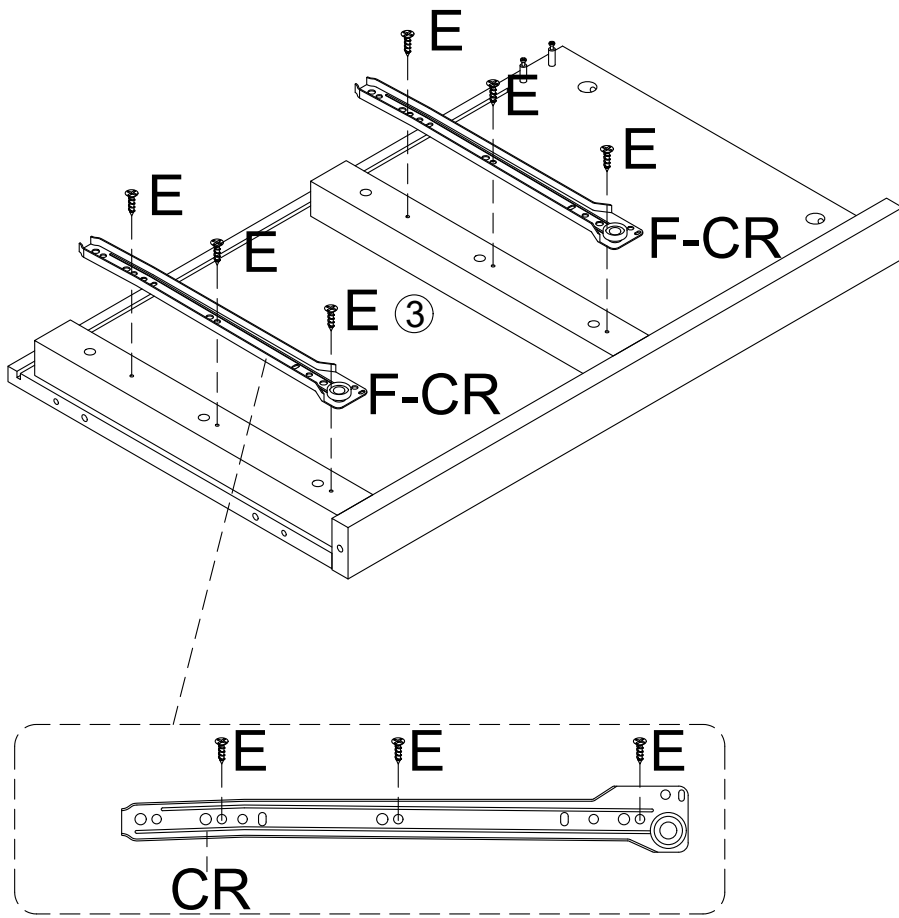
Step 5



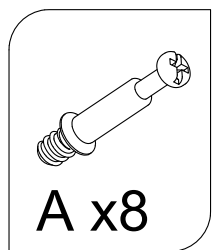
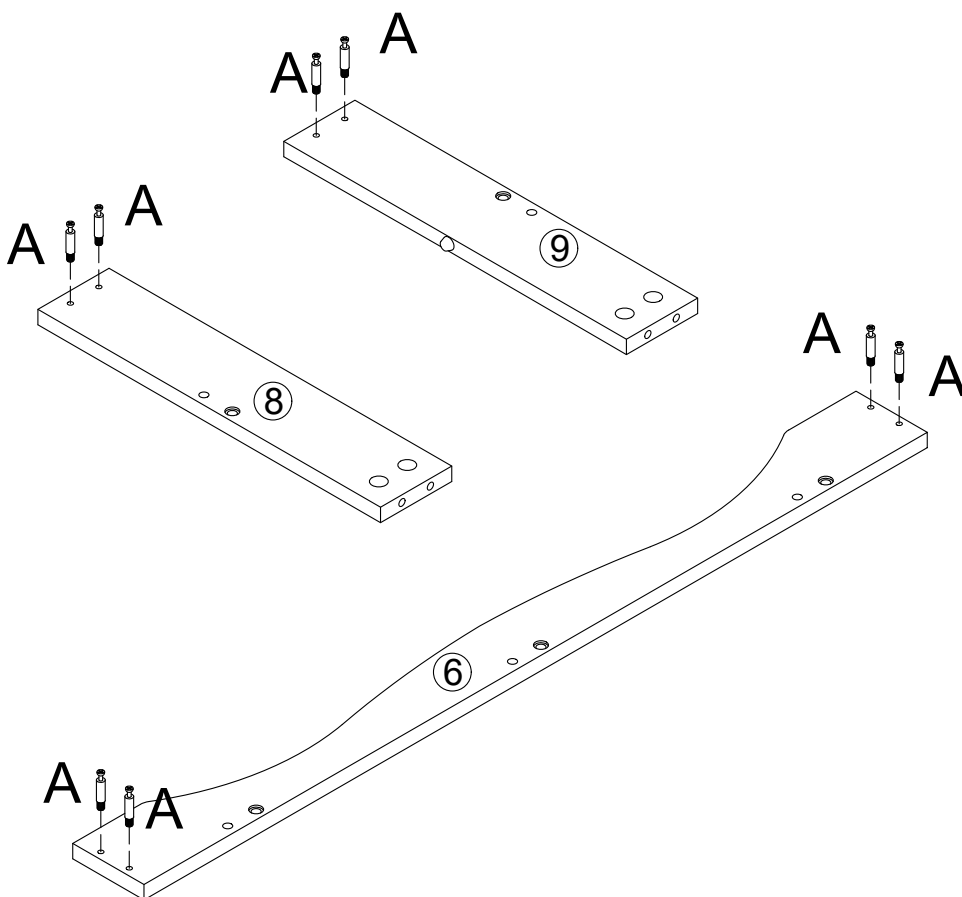
Step 6



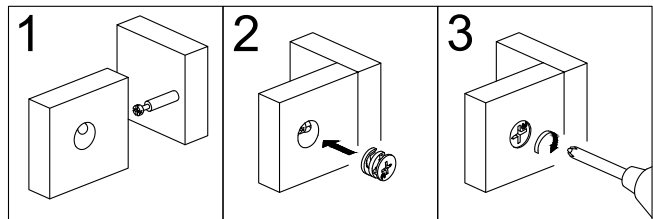
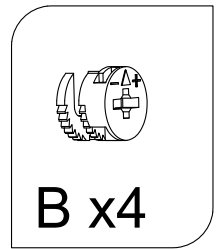
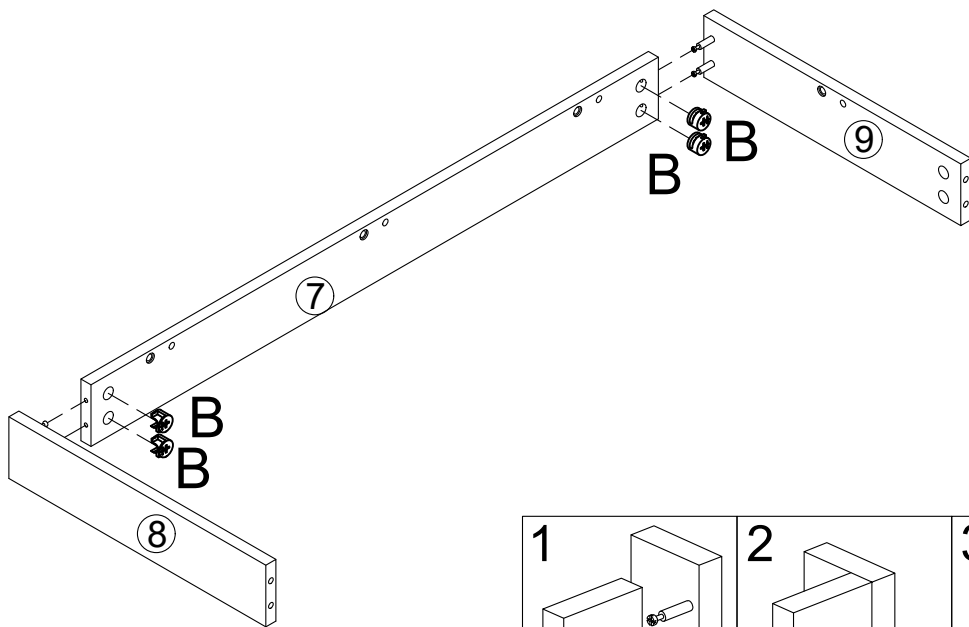
Step 7



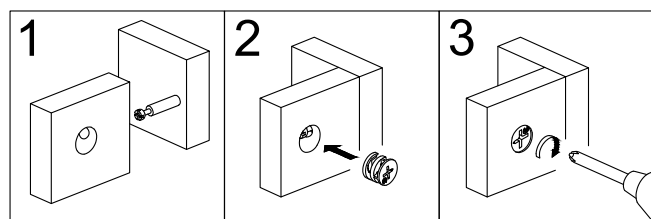
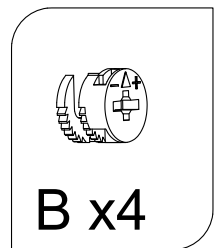
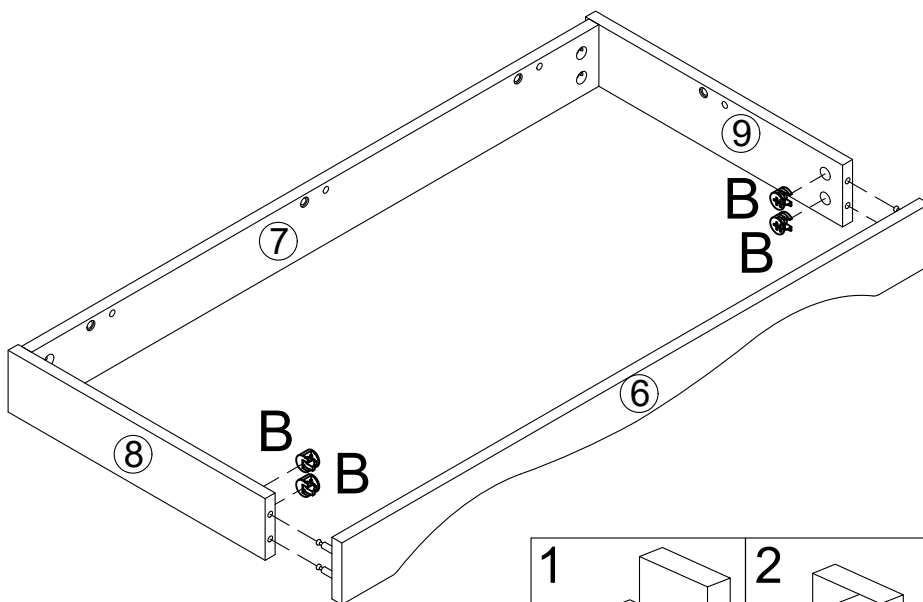
Step 8



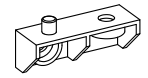
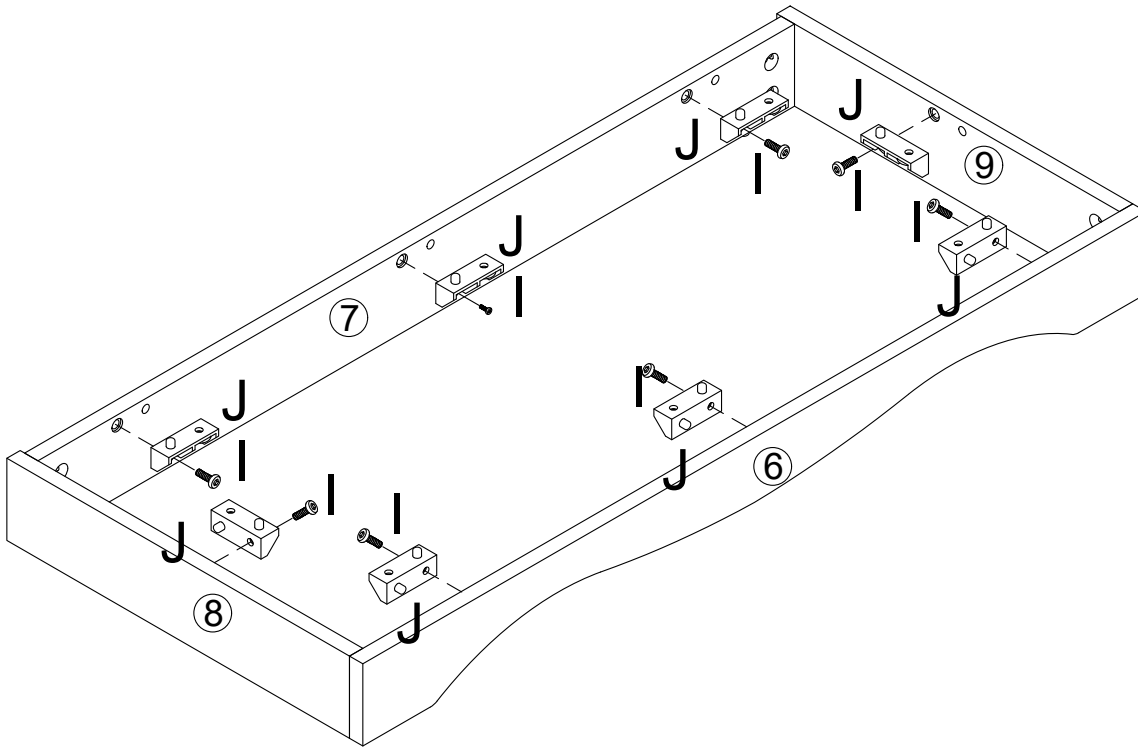
Step 9



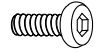
Step 10



Step 11



J x 8

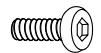
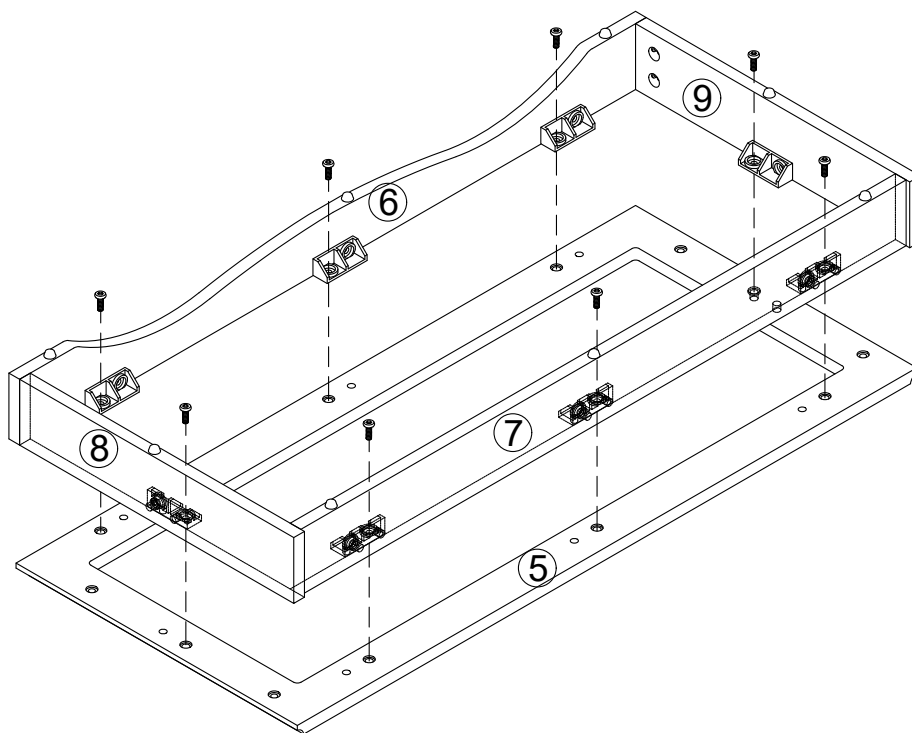


I x 8



N x 1

Step 12

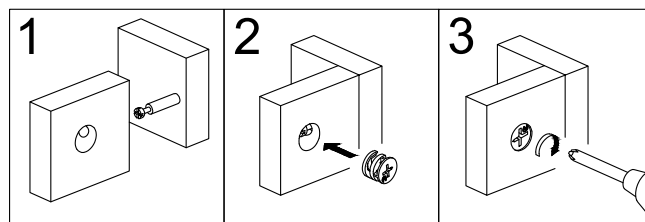
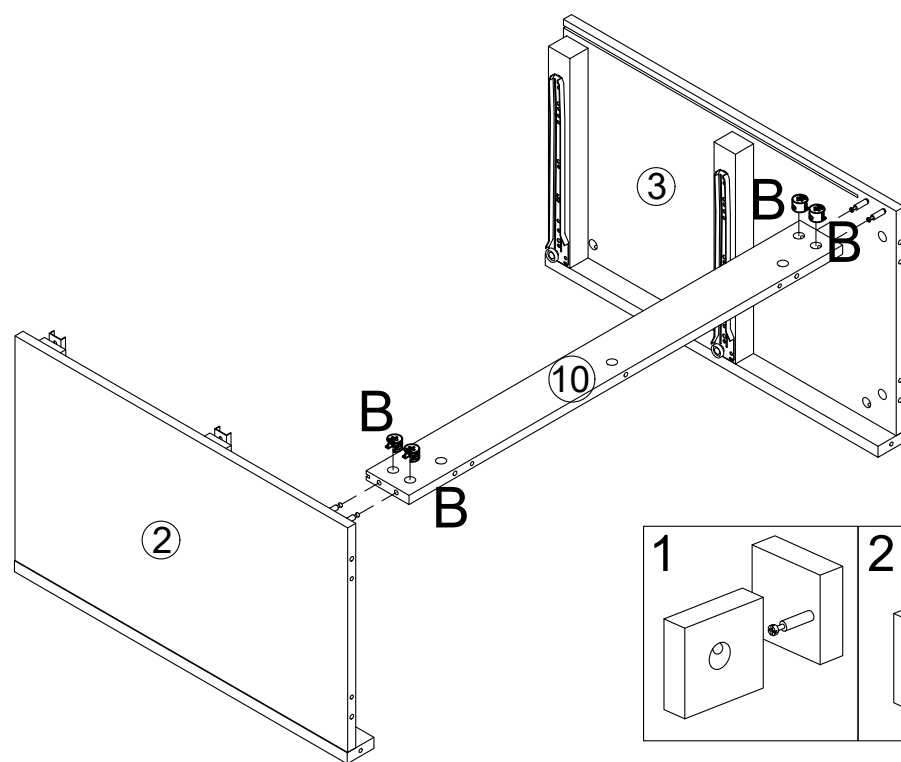
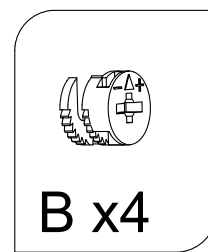


I x 8

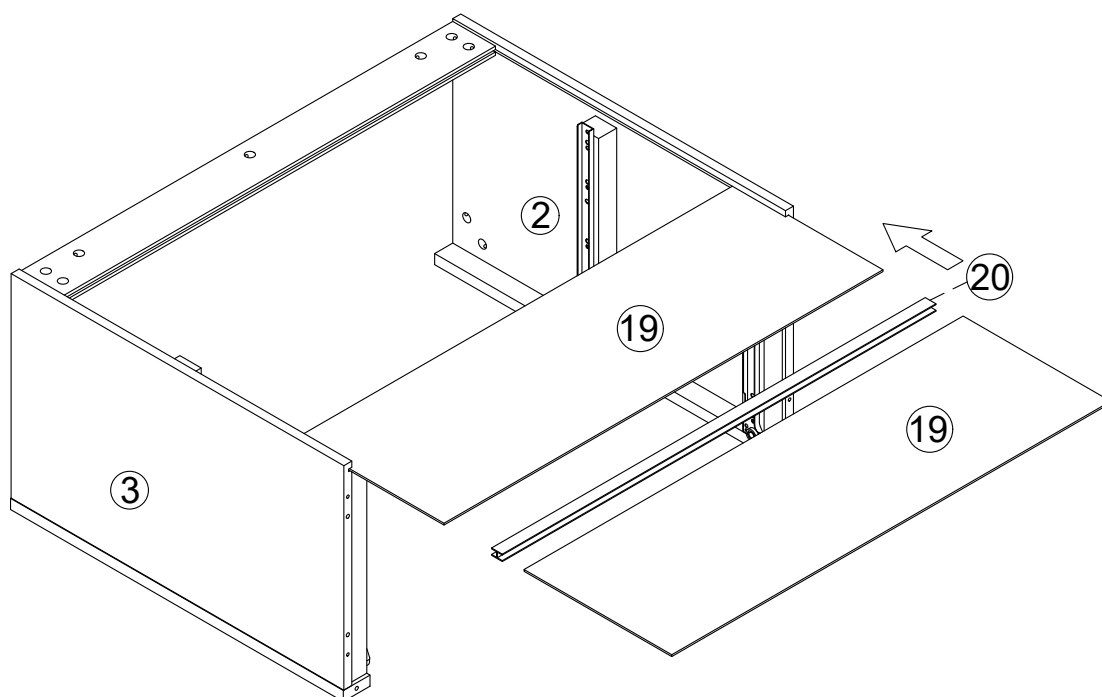


N x 1

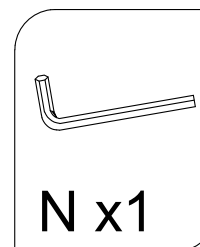
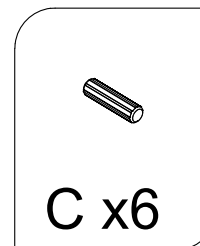
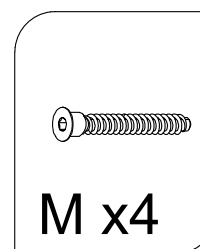
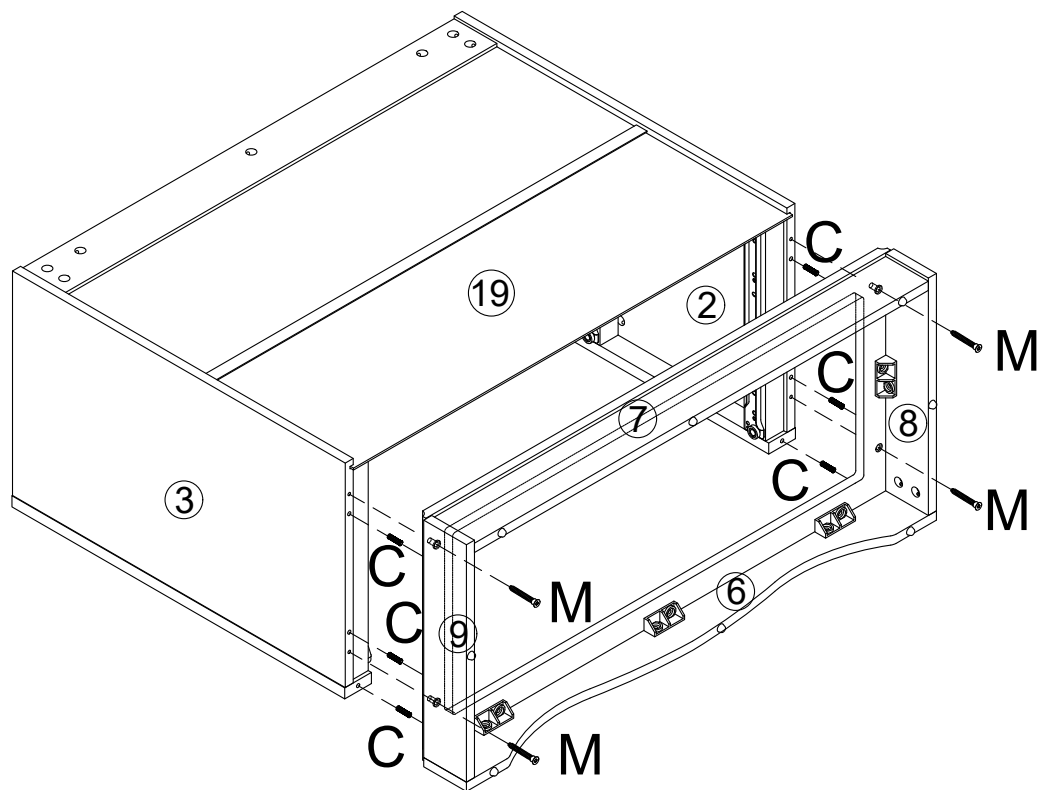
Step 13



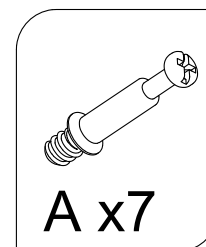
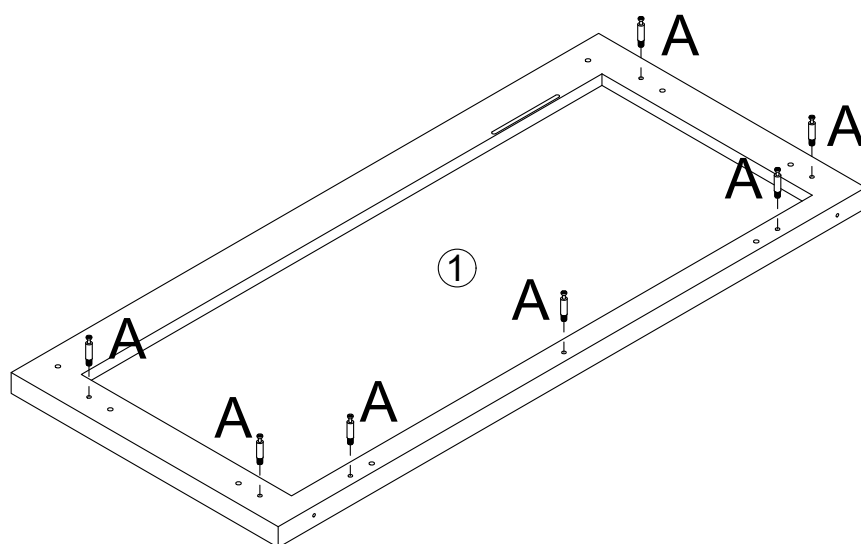
Step 14



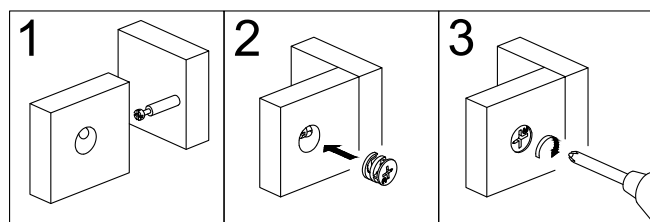
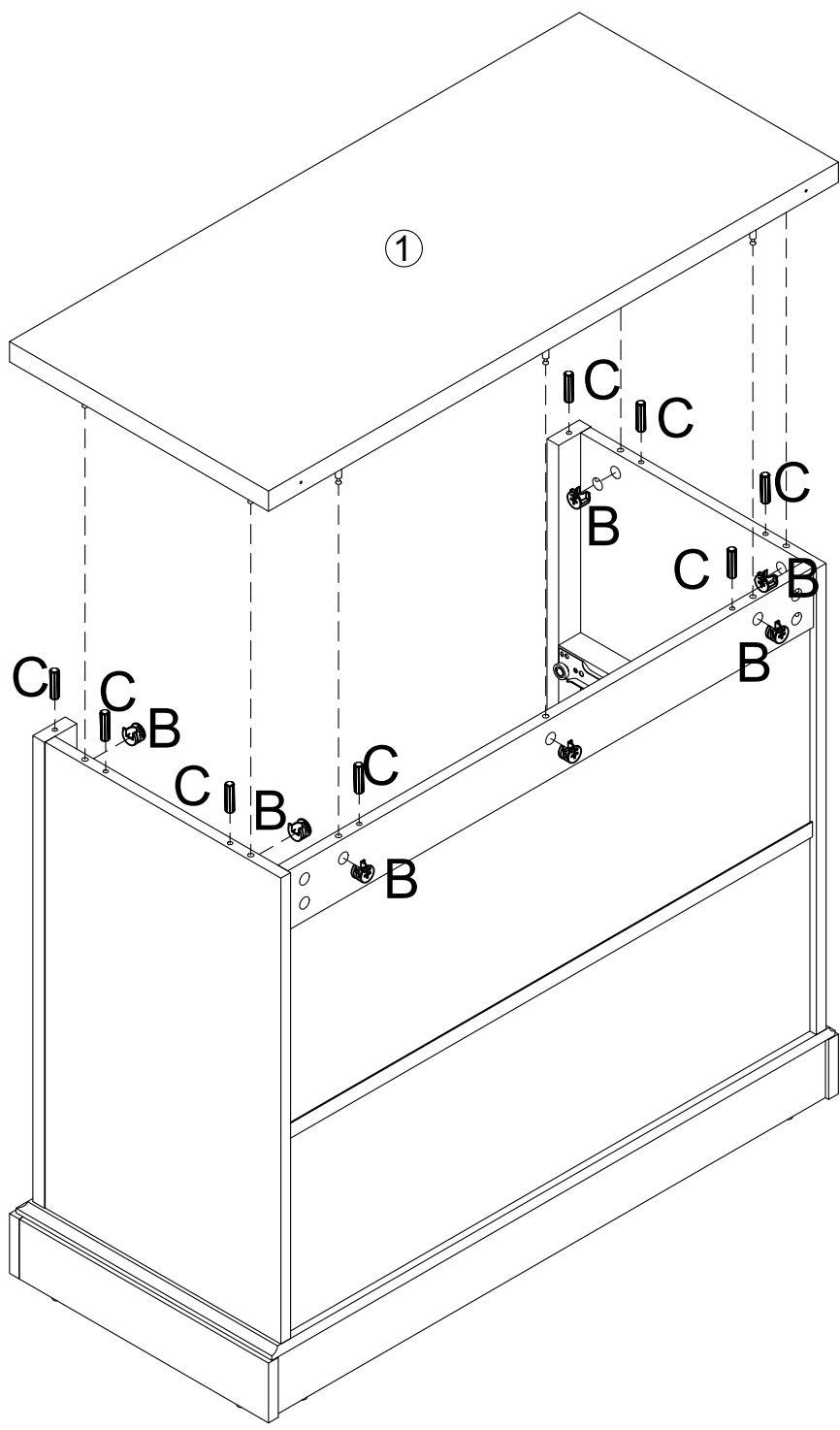
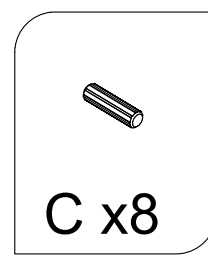
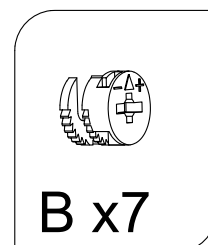
Step 15



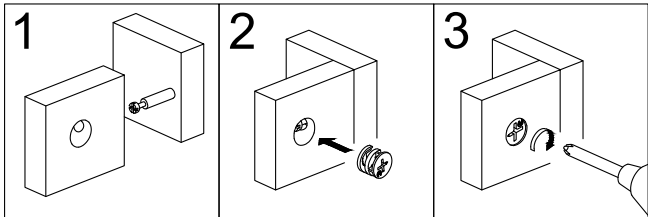
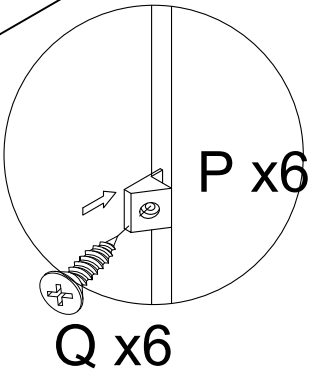
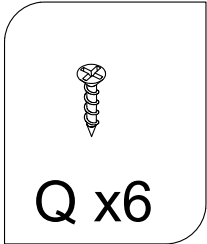
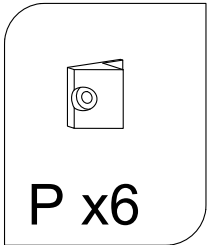
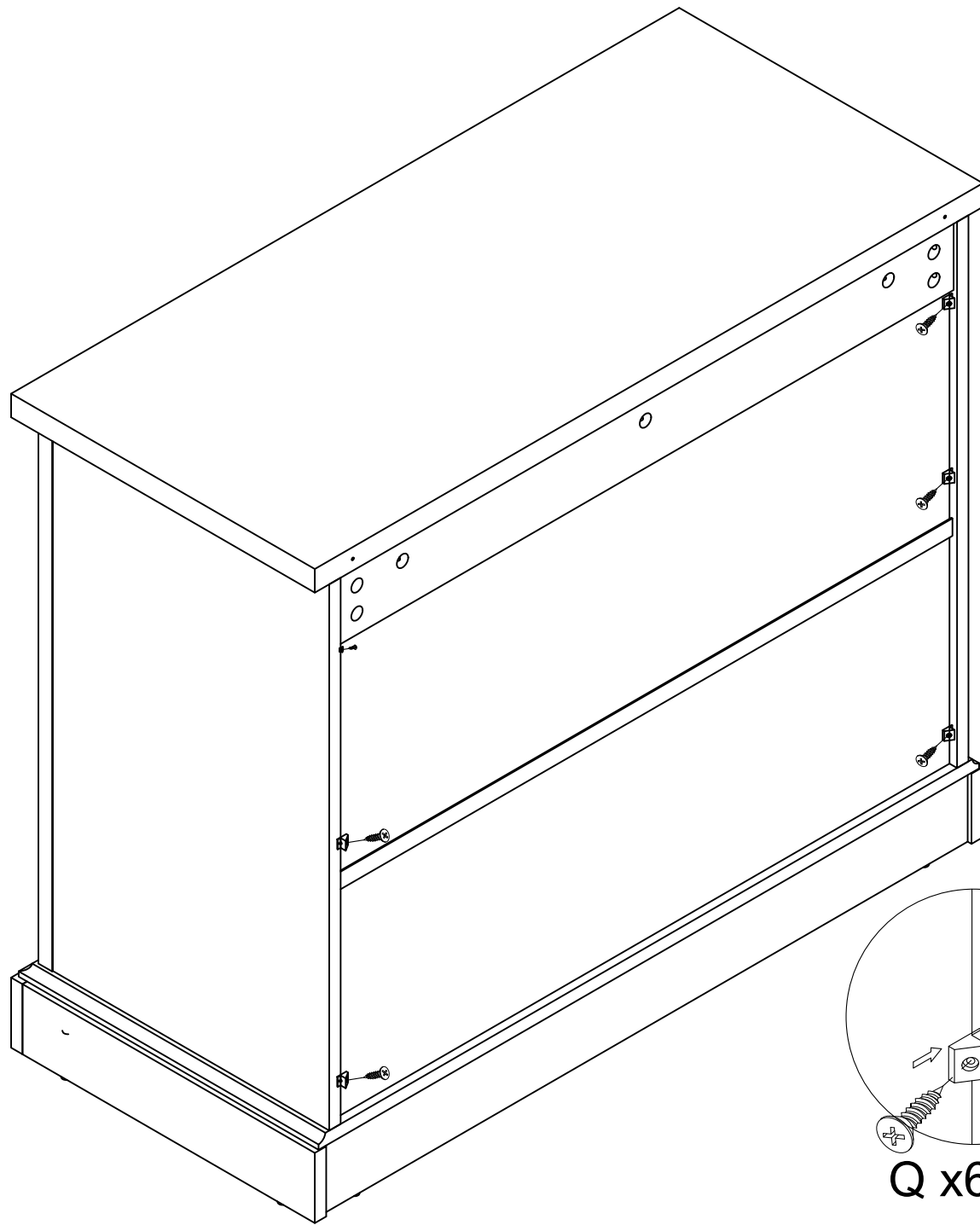
Step 16



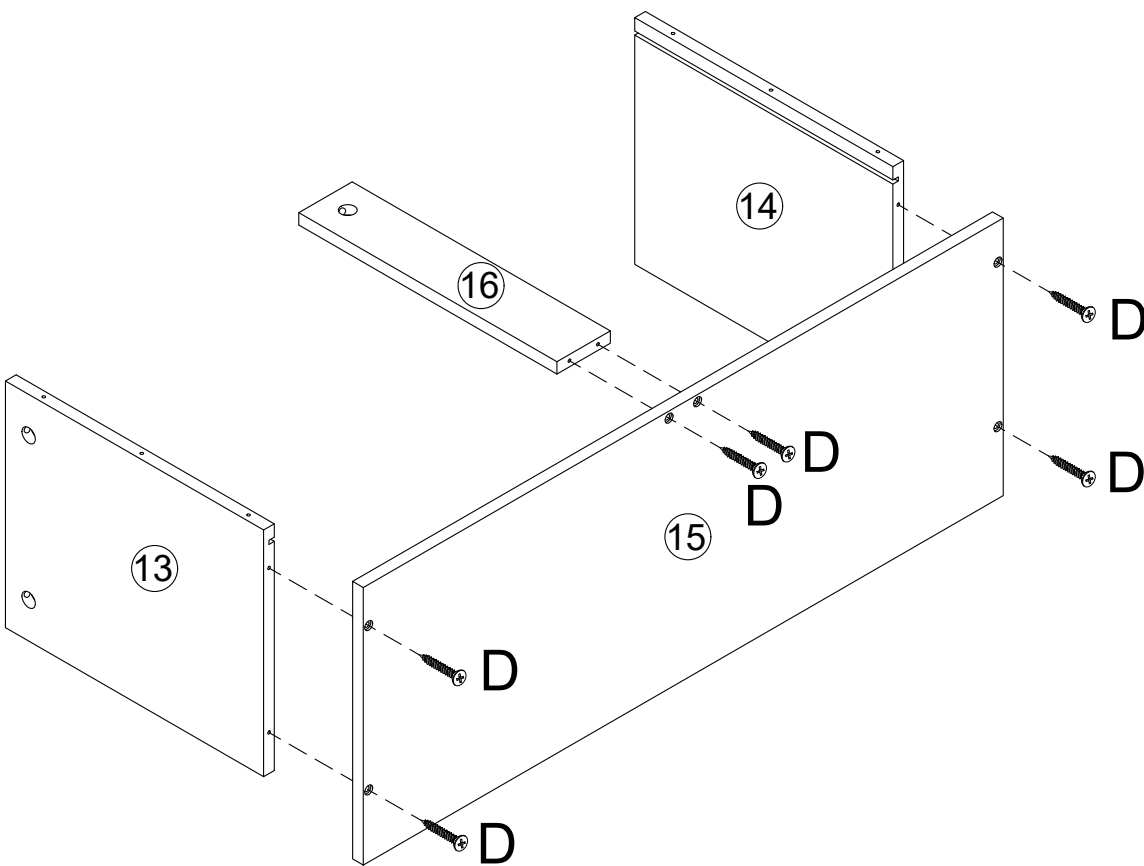
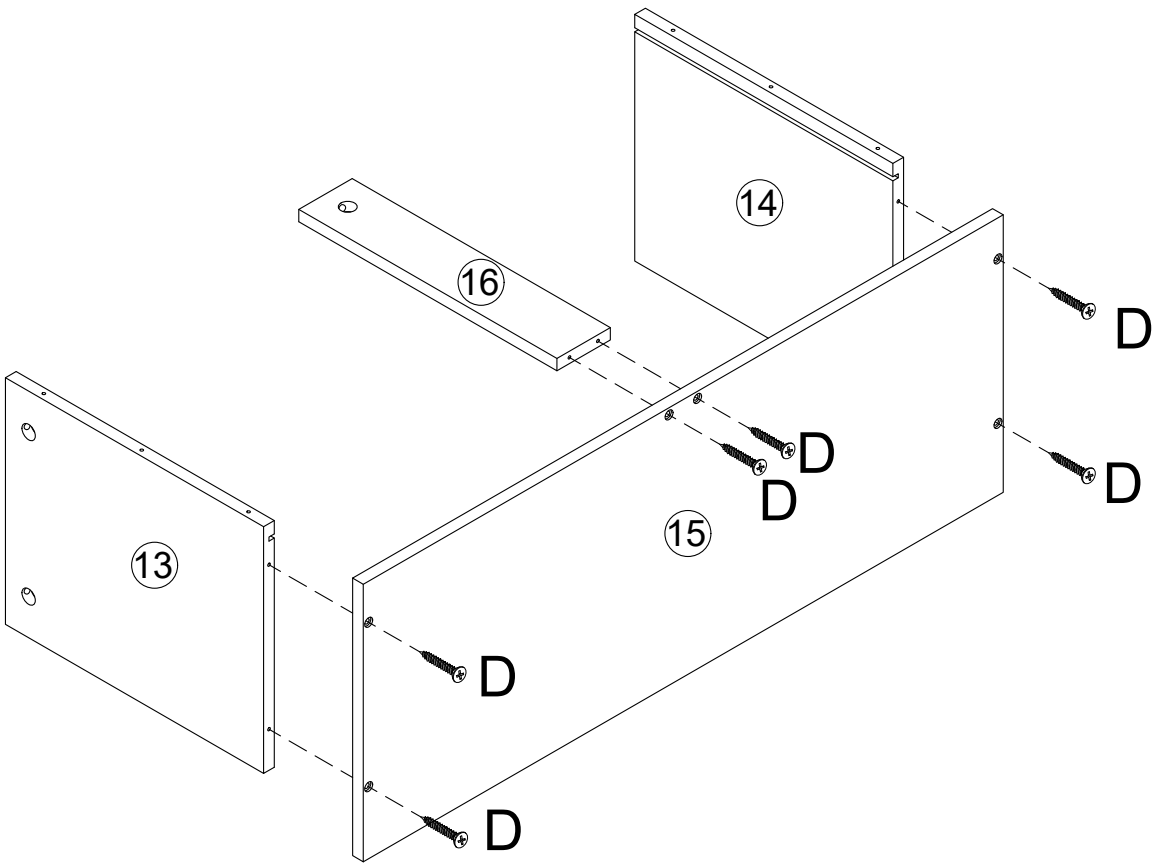
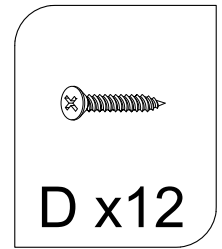
Step 17



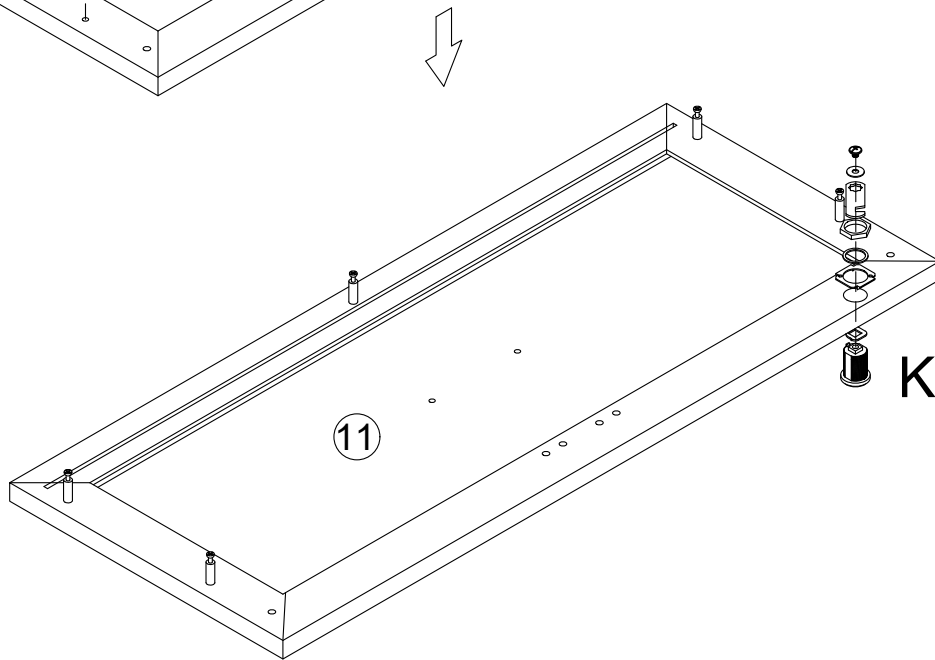
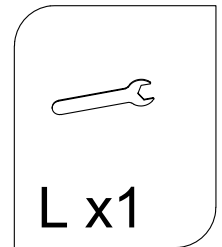
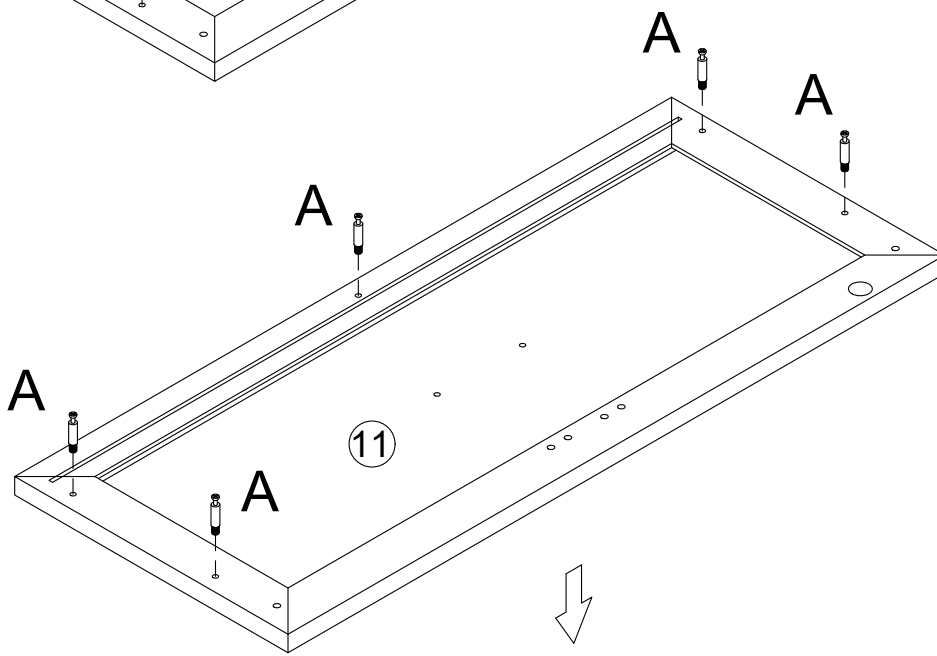
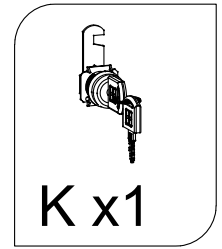
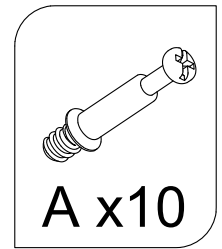
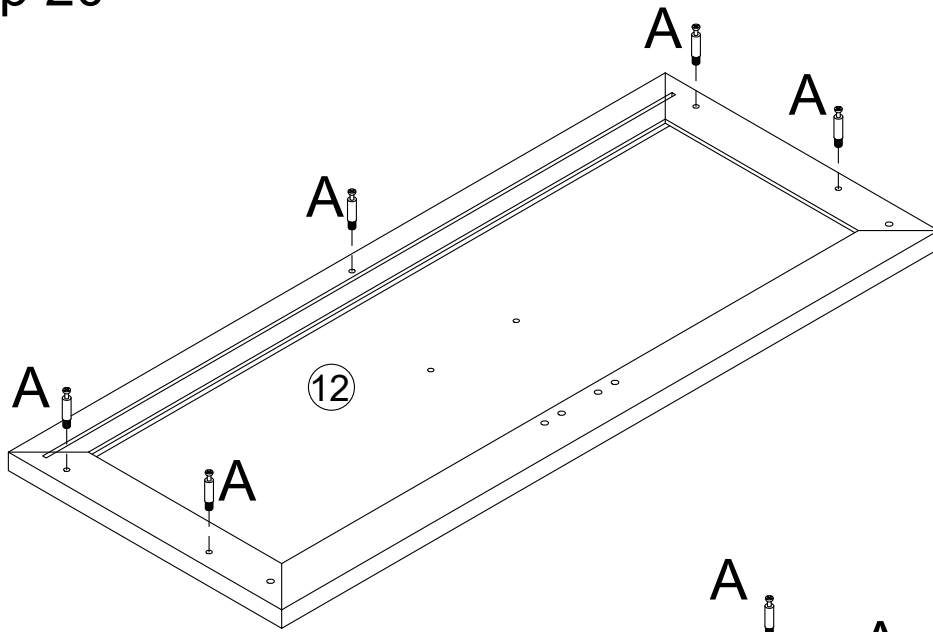
Step 18



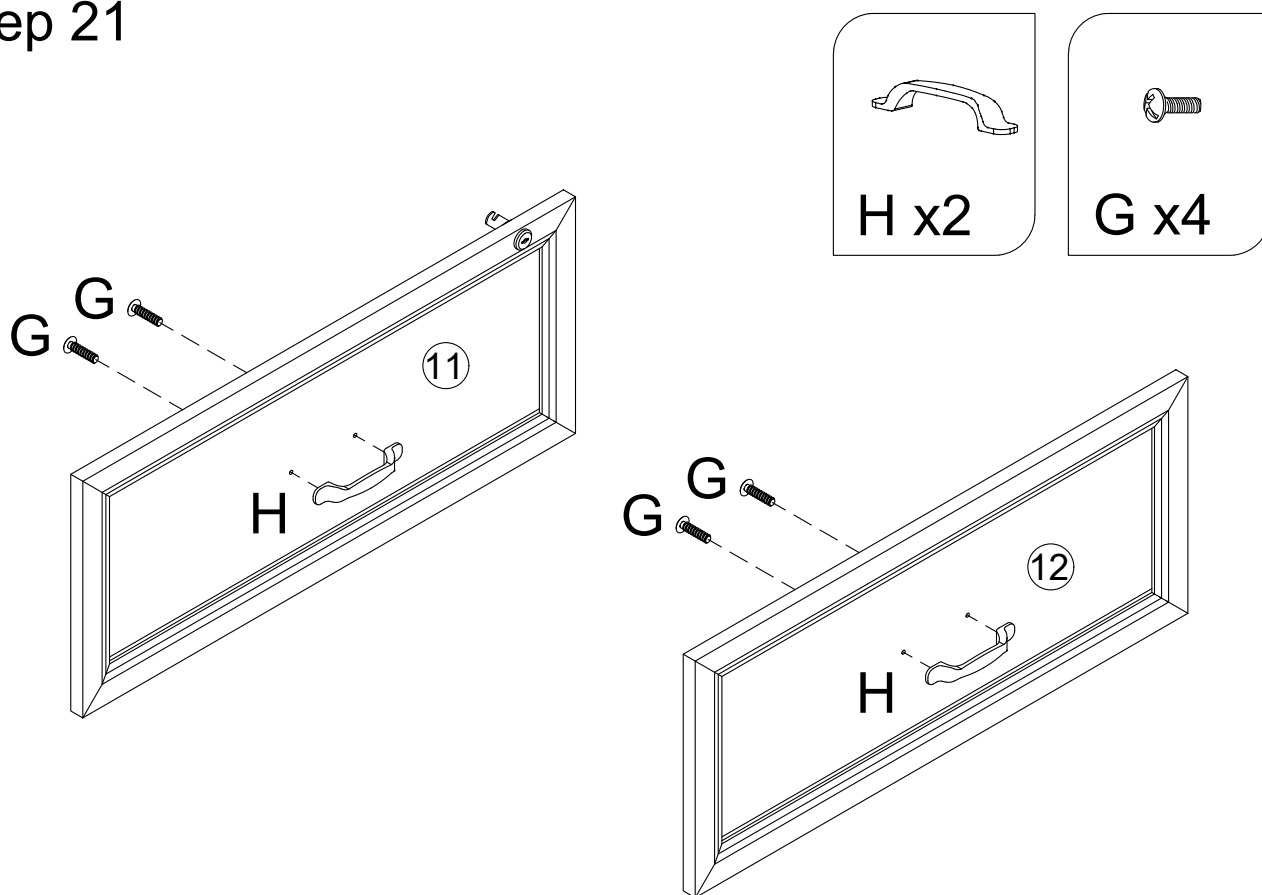
Step 19



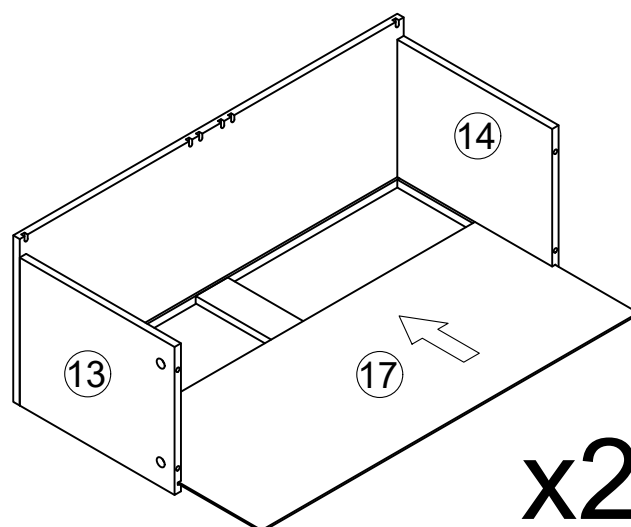
Step 20



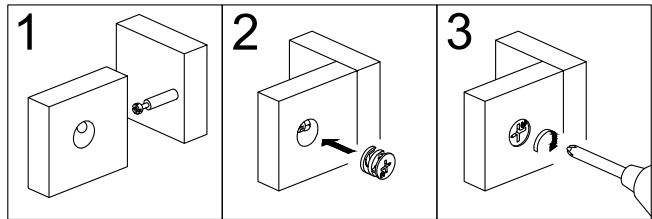
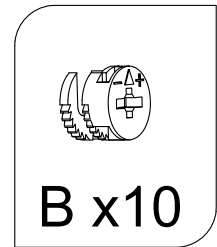
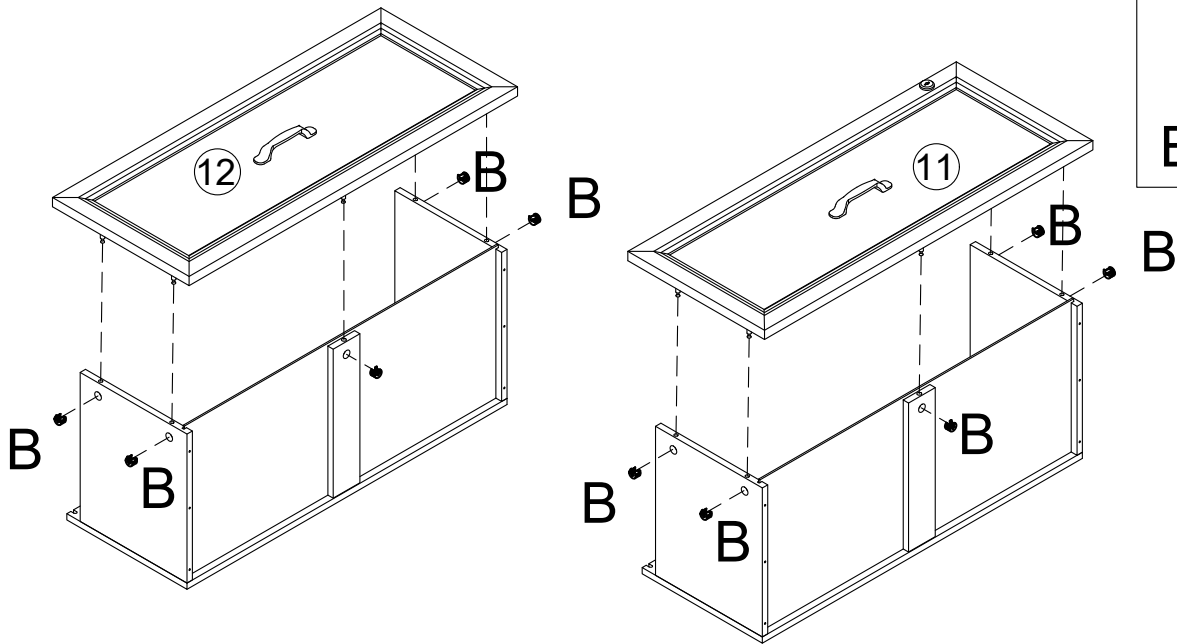
Step 21



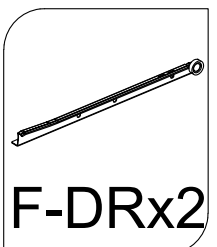
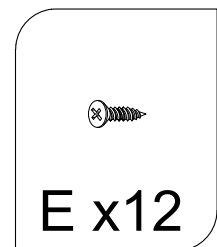
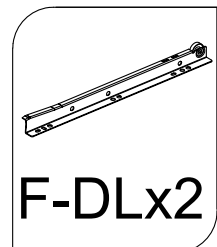
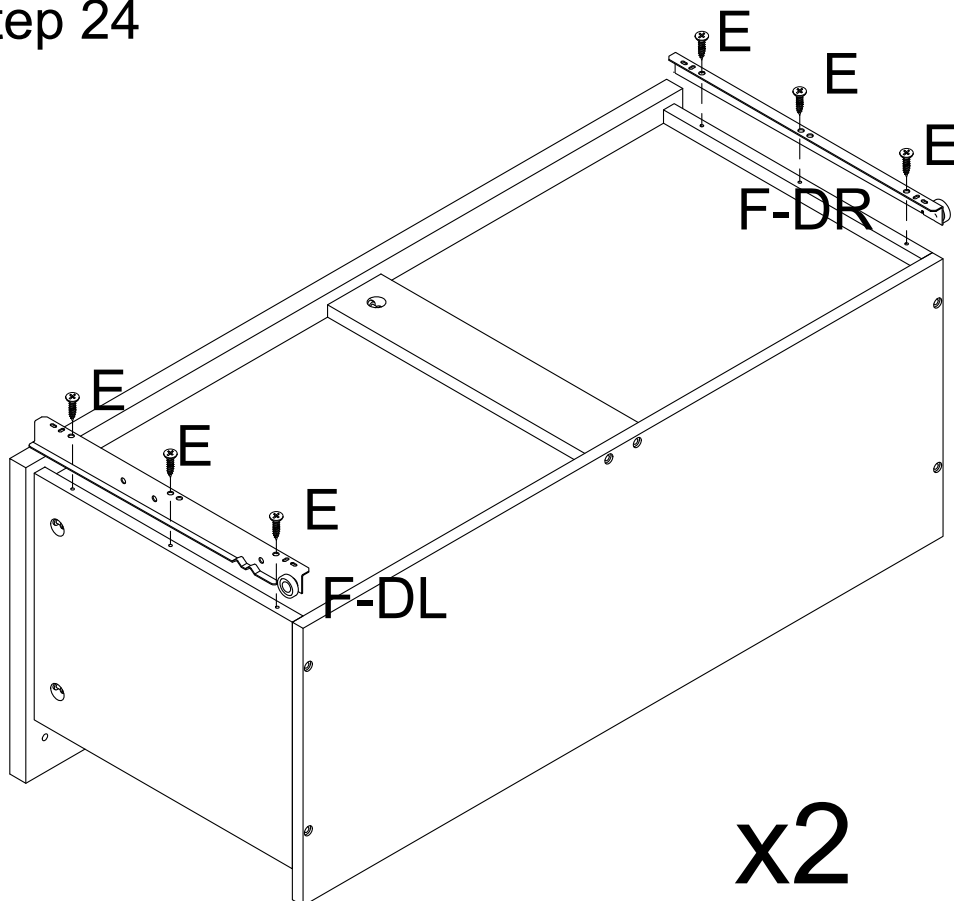
Step 22



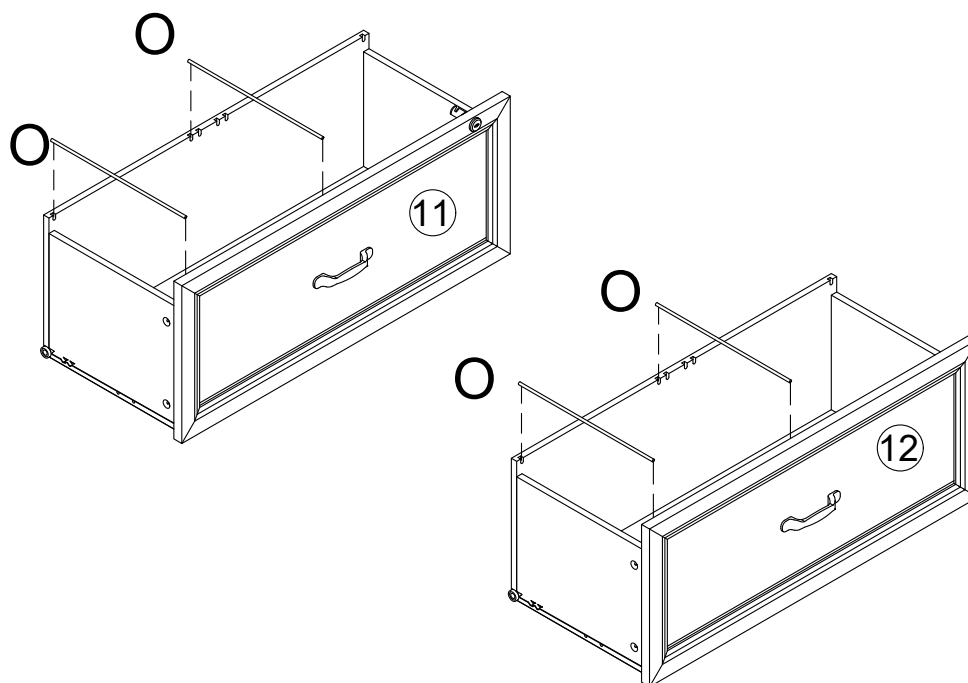
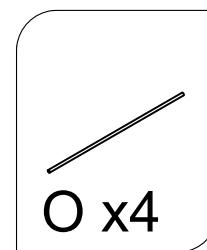
Step 23



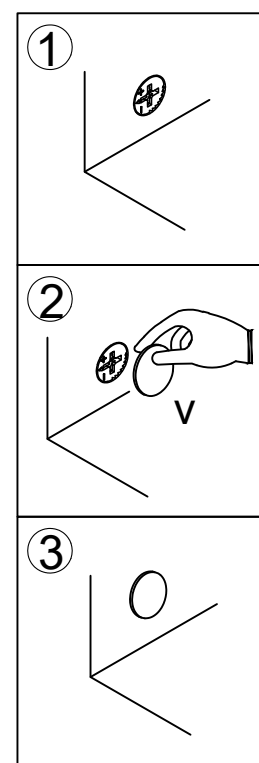
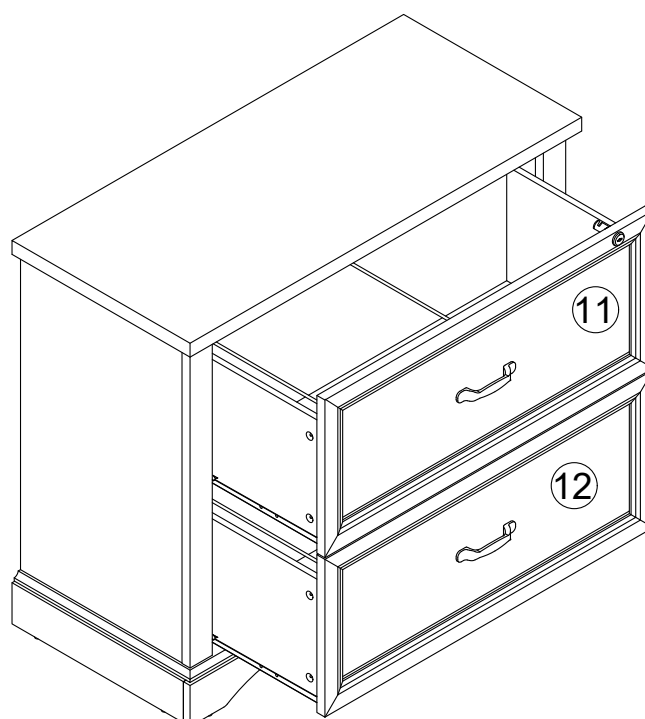
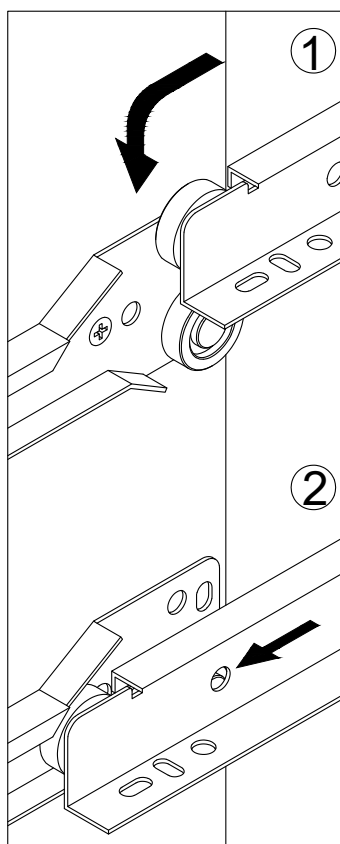
Step 24



Step 25



Step 26



Step 25

