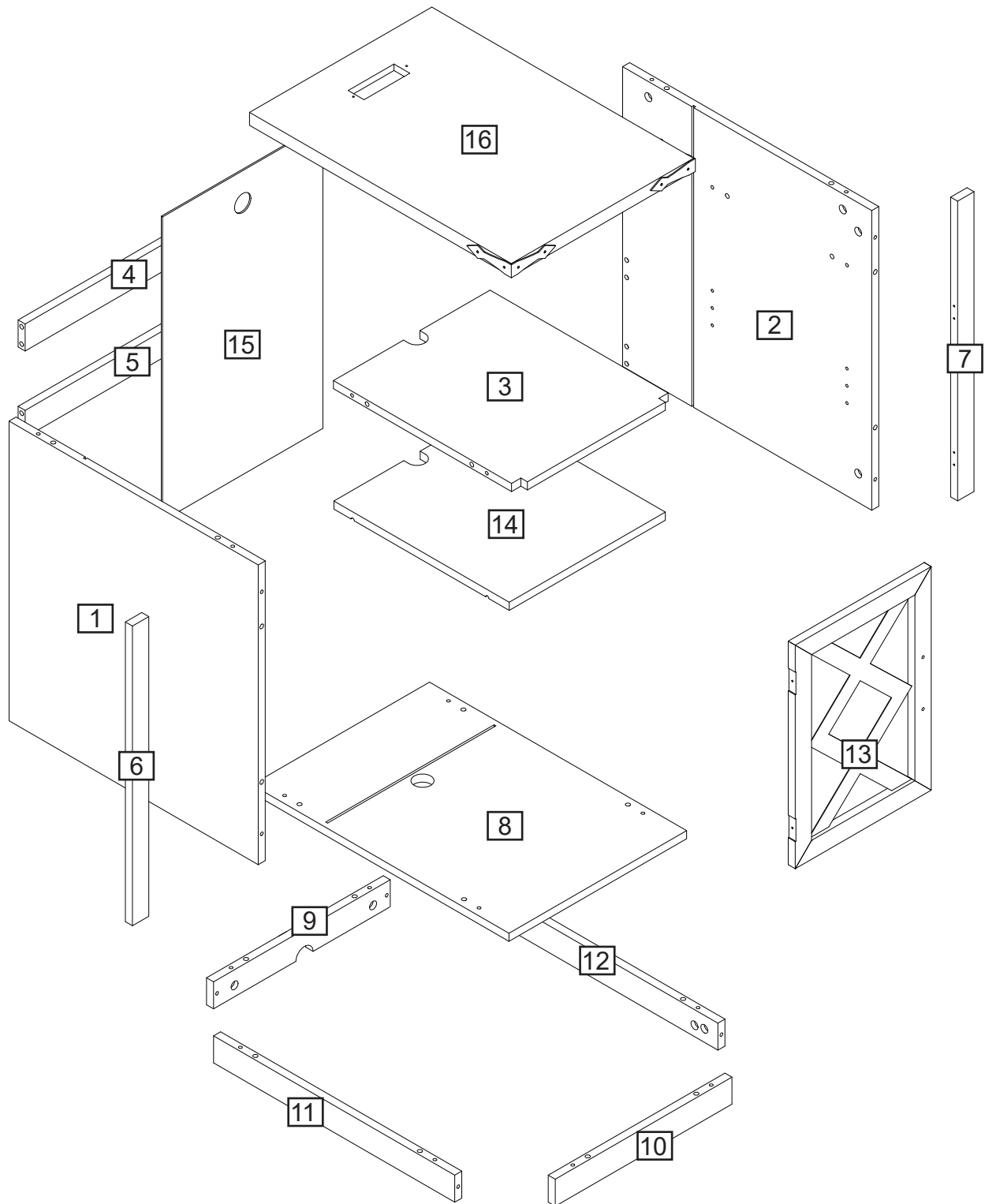
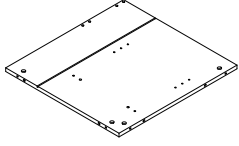
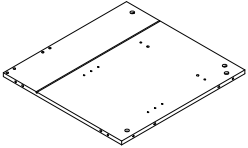
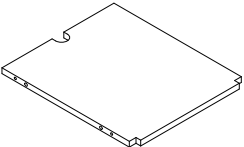
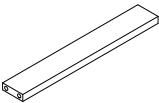
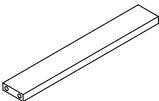
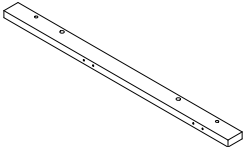
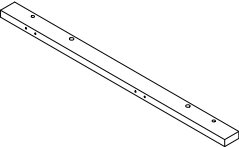
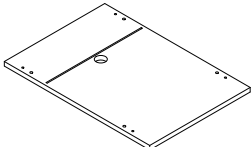


Installation & Assembly

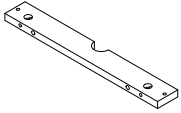
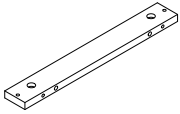
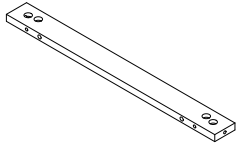
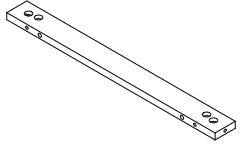
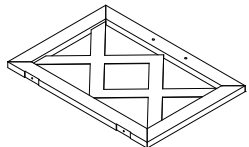
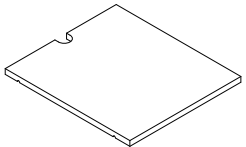
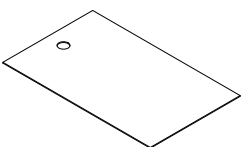
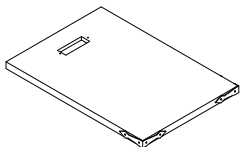


ASSEMBLY INSTRUCTIONS

Part List:



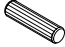

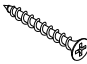

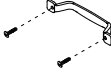
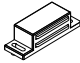

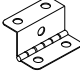

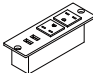
| ITEM | DESCRIPTION | PART | QTY |
|------|---------------------------------------|-------------------------------------------------------------------------------------|-----|
| 1 | Left side board |  | 1 |
| 2 | Right side board |  | 1 |
| 3 | Upper fixing board |  | 1 |
| 4 | Middle fixing board behind back board |  | 1 |
| 5 | Under fixing board behind back board |  | 1 |
| 6 | Front vertical bar of left |  | 1 |
| 7 | Front vertical bar of right |  | 1 |
| 8 | Bottom board |  | 1 |

Part List:

| ITEM | DESCRIPTION | PART | QTY |
|------|----------------------------|---------------------------------------------------------------------------------------|-----|
| 9 | Bottom back covering |  | 1 |
| 10 | Bottom front covering |  | 1 |
| 11 | Bottom left side covering |  | 1 |
| 12 | Bottom right side covering |  | 1 |
| 13 | Door |  | 1 |
| 14 | Shelf |  | 1 |
| 15 | Back board |  | 1 |
| 16 | Top board |  | 1 |

ASSEMBLY INSTRUCTIONS

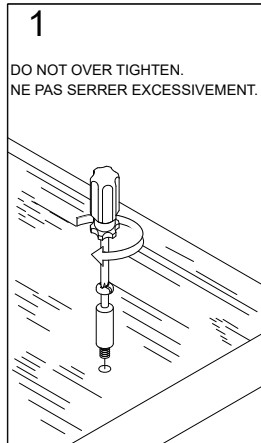
Hardware List

| ITEM | DESCRIPTION | PART | QTY |
|------|-------------------|--------------------------------------------------------------------------------------|-----|
| A | 7*39mm Cam bolt |  | 24 |
| B | Cam lock |  | 24 |
| C | 8*30mm Dowel |  | 32 |
| D | 3.5*14mm Screw |  | 15 |
| E | 5*40mm Screw |  | 4 |
| F | Foot nail |  | 4 |
| G | Handle |  | 1 |
| H | Door stopper |  | 1 |
| I | Shelf support pin |  | 4 |
| J | Hinge |  | 2 |
| K | Door stopper |  | 1 |
| L | Socket |  | 1 |

Using Camlocks

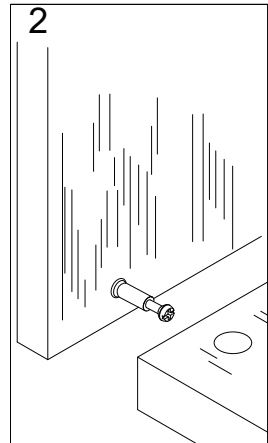
Step 1

Connect the male camlock as directed in the assembly instructions using a screwdriver.



Step 2

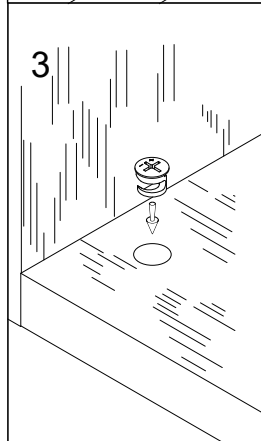
Push the male camlock into the entry hole.



Step 3

Insert the female camlock as shown in the instructions.

Note: ensure that the arrow on the top of the camlock points towards the entry hole for the male camlock.

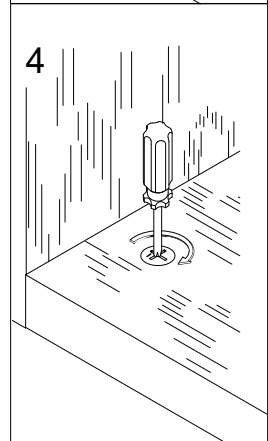


Step 4

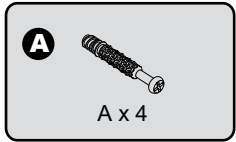
Turn the female camlock clockwise with a screwdriver.

You should feel a click when the camlock is locked in place.

The joint is now secure.

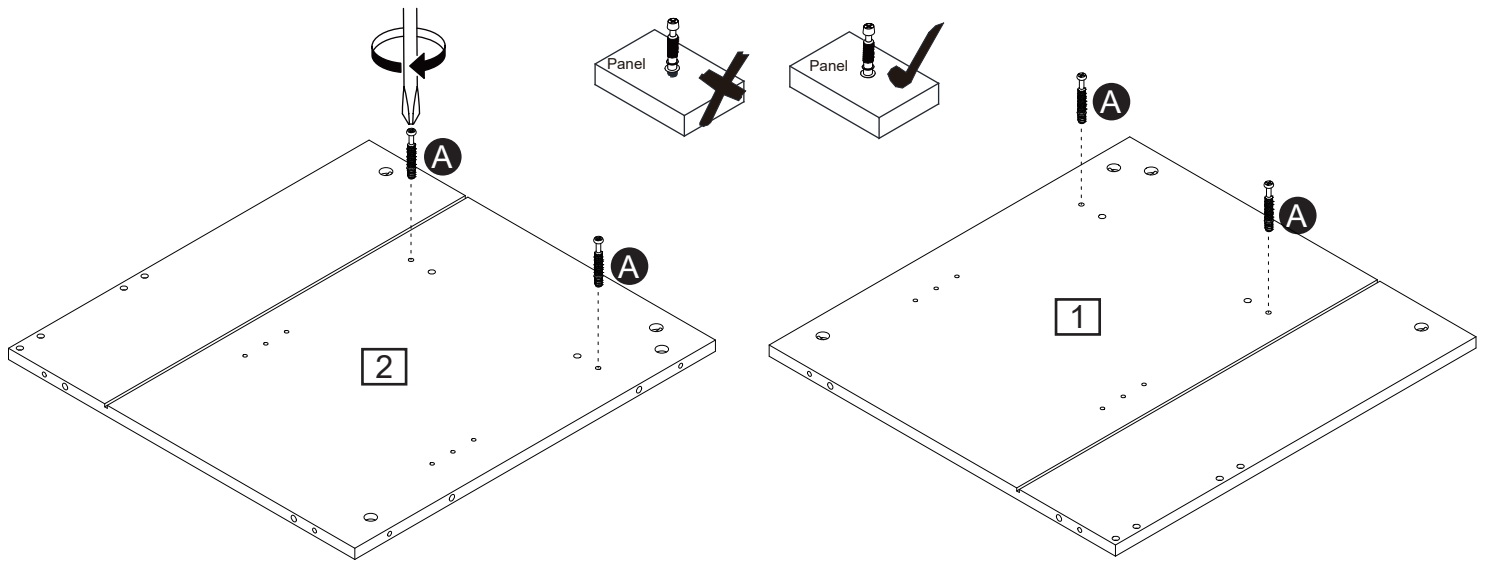
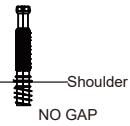


1

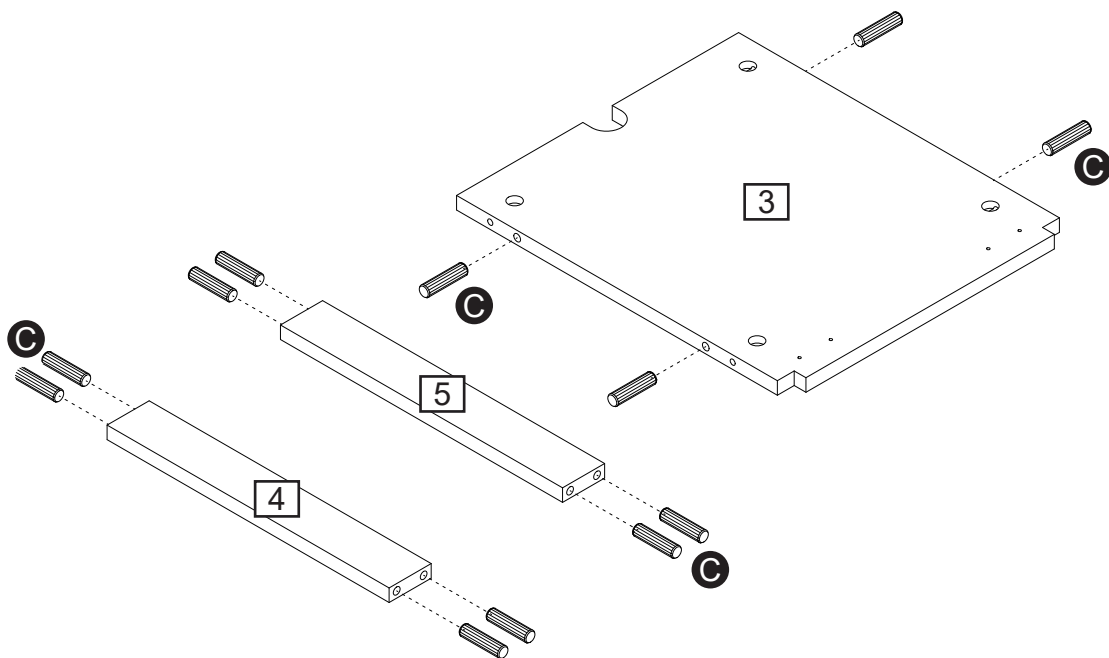
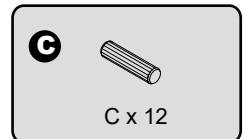


CAM-LOCK

Tighten until shoulder is flush with panel. Do not overtighten or undertighten (see example below)

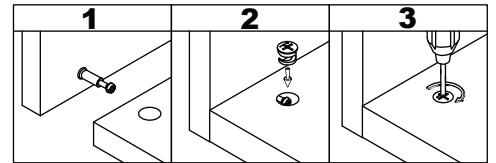
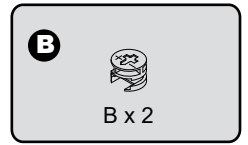
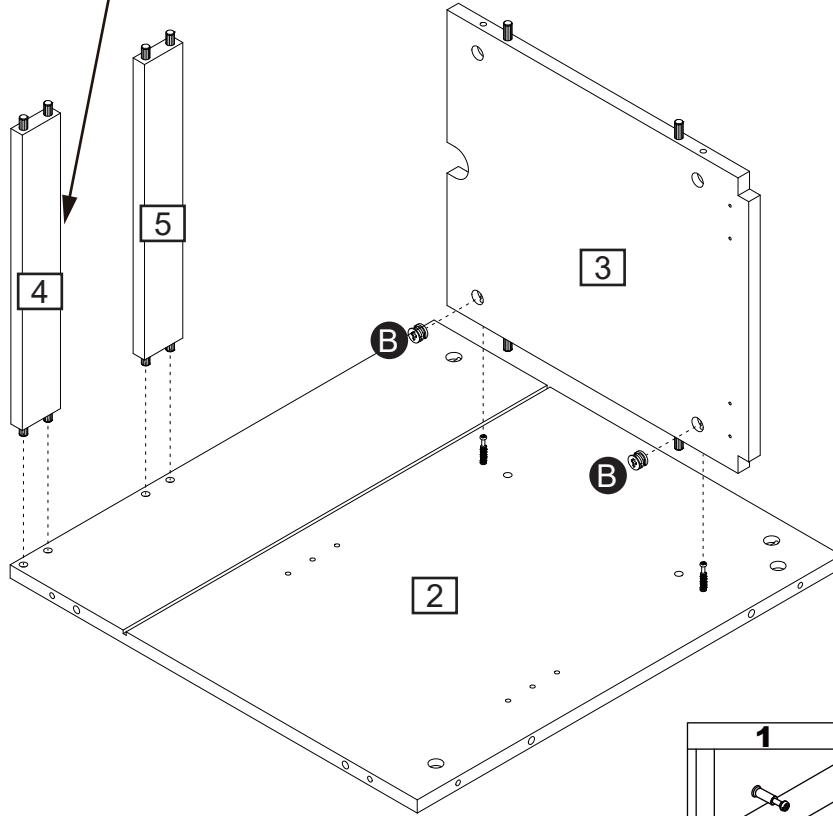


2

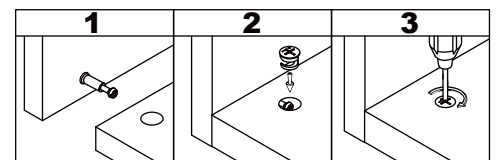
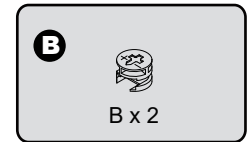
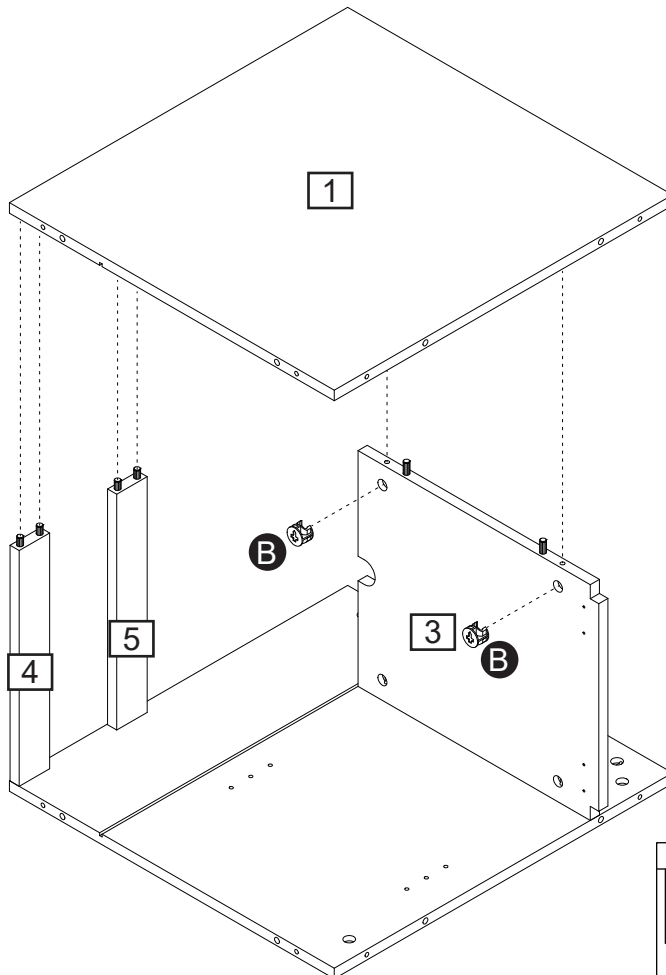


3

Edge Banding Here



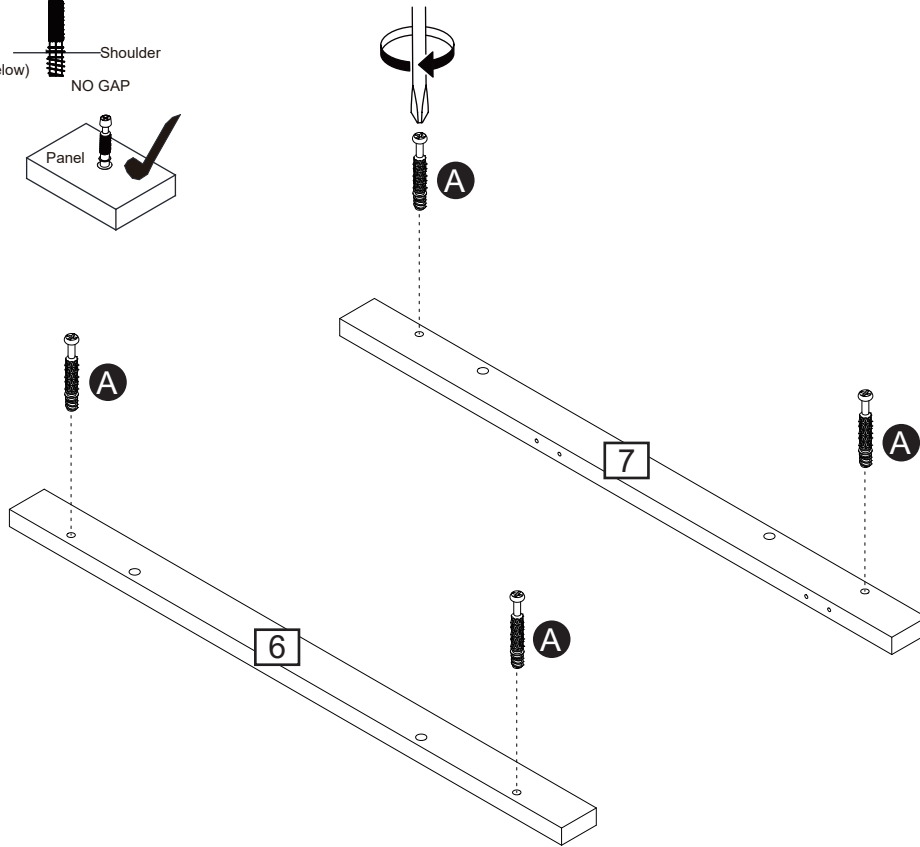
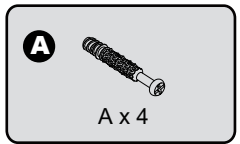
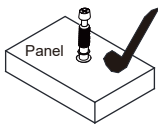
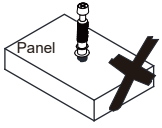
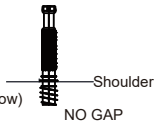
4



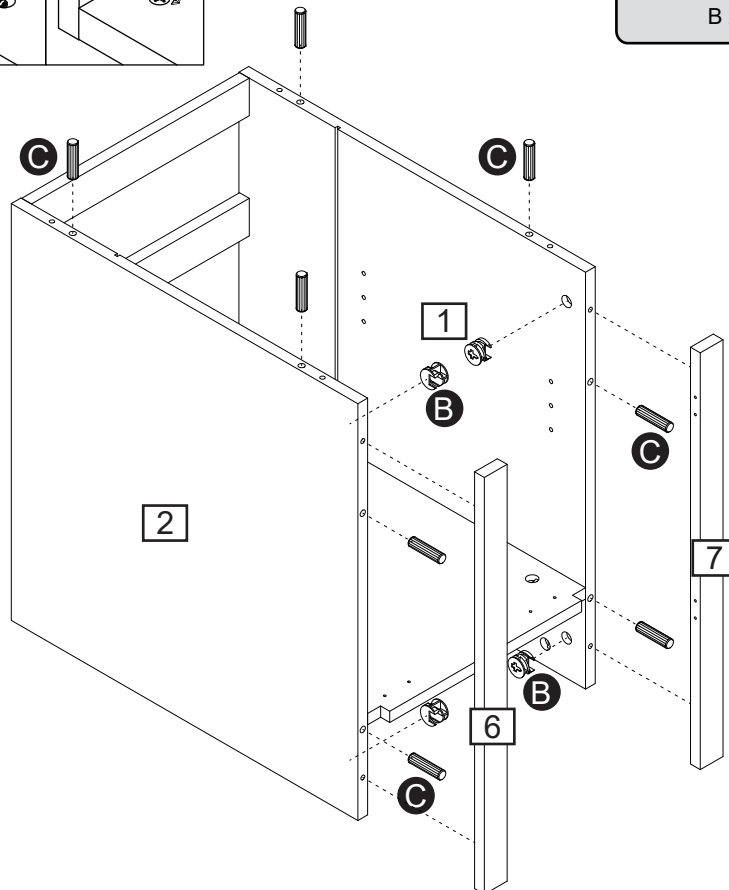
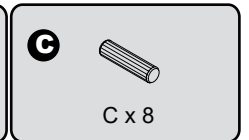
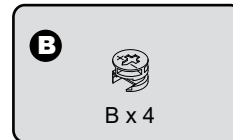
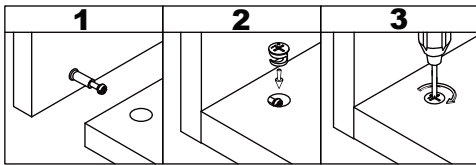
5

CAM-LOCK

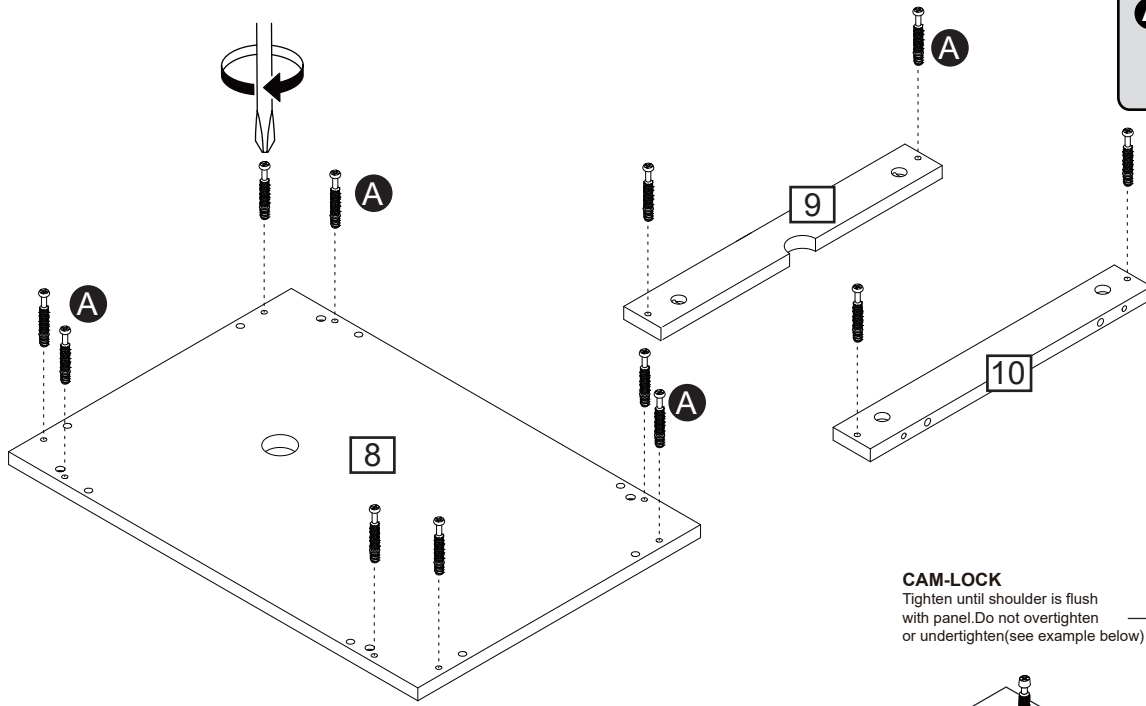
Tighten until shoulder is flush with panel. Do not overtighten or undertighten (see example below)




6

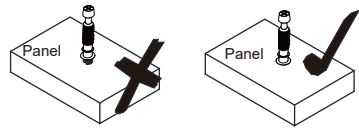
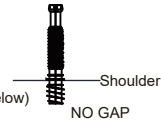


7

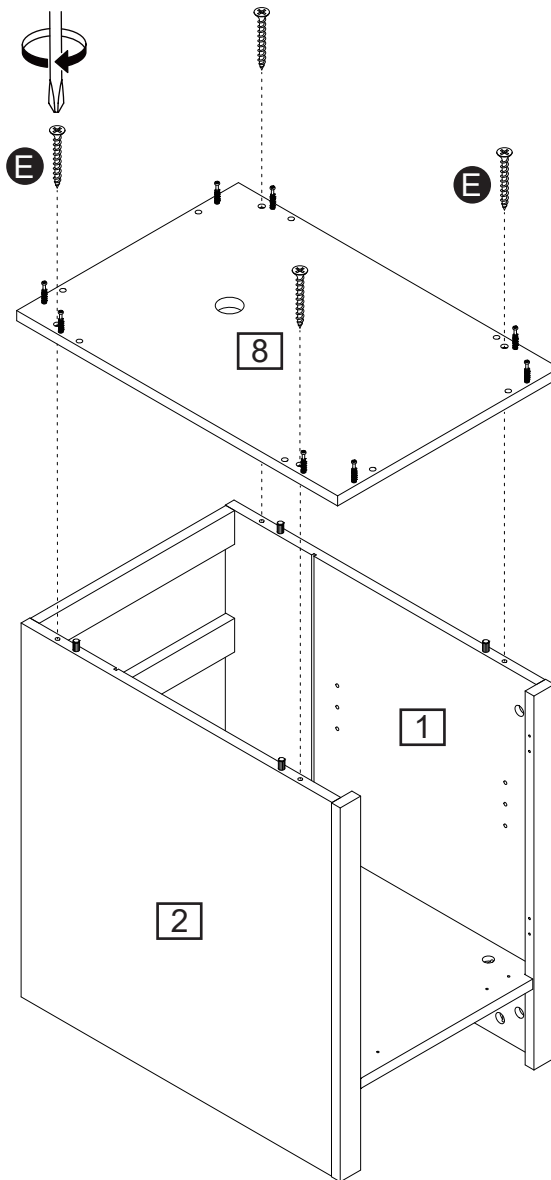


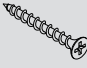
A 
A x 12

CAM-LOCK
Tighten until shoulder is flush with panel. Do not overtighten or undertighten (see example below)

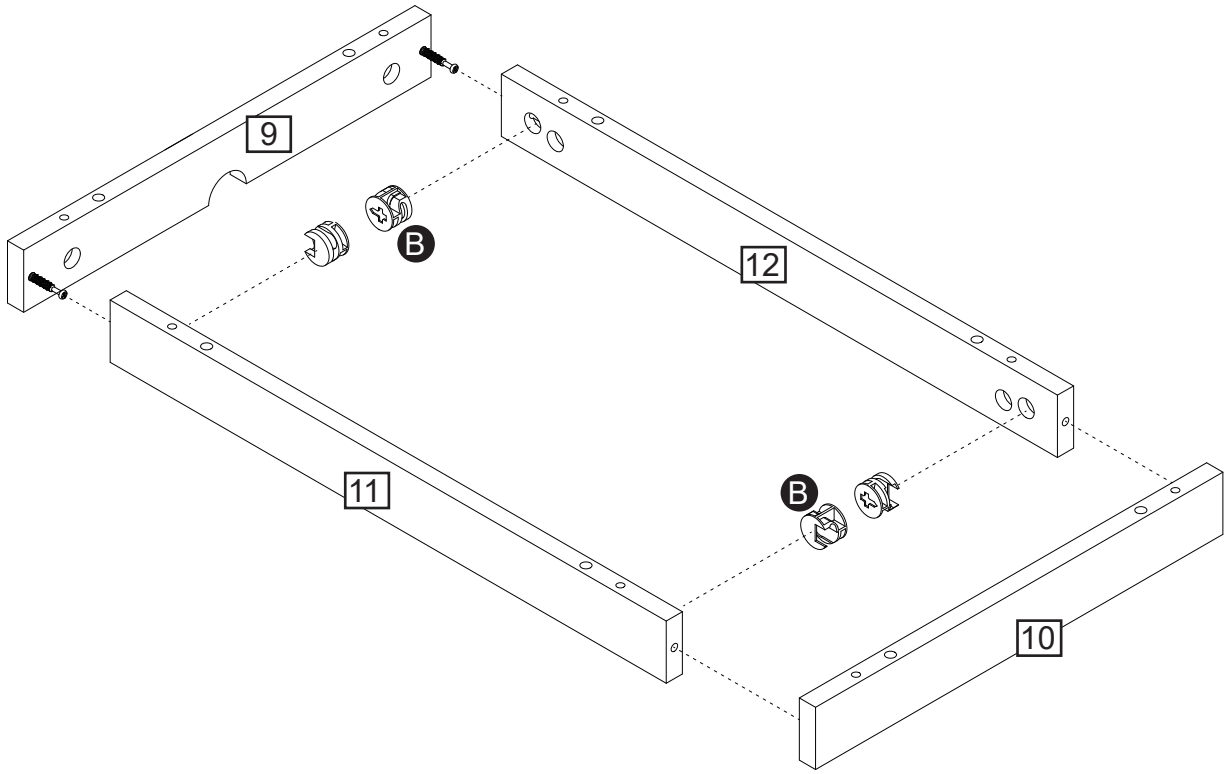
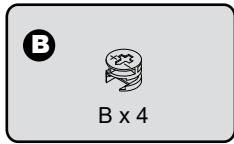
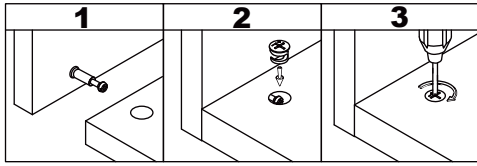


8

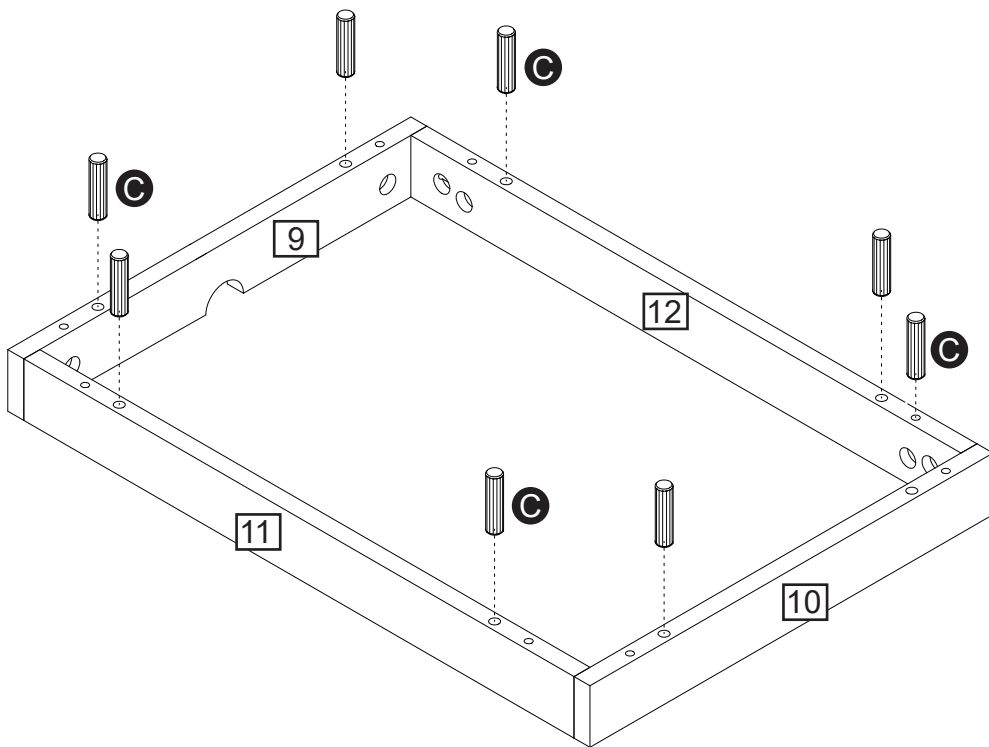
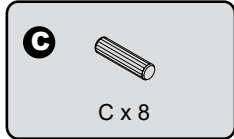


E 
E x 4

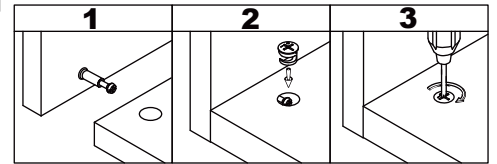
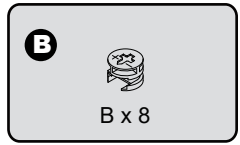
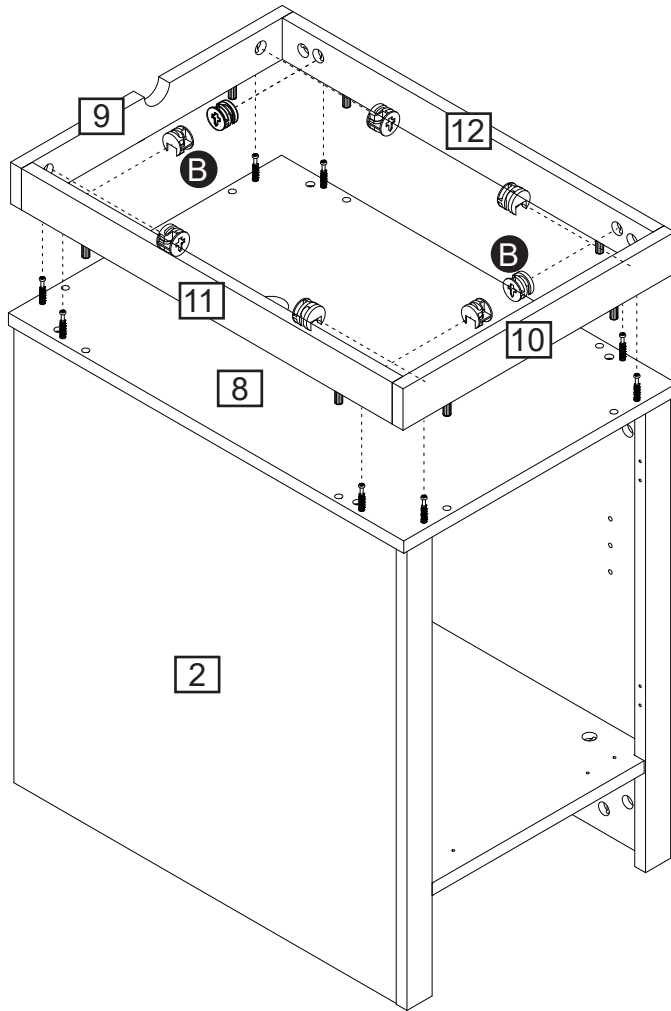
9



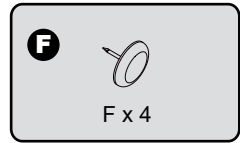
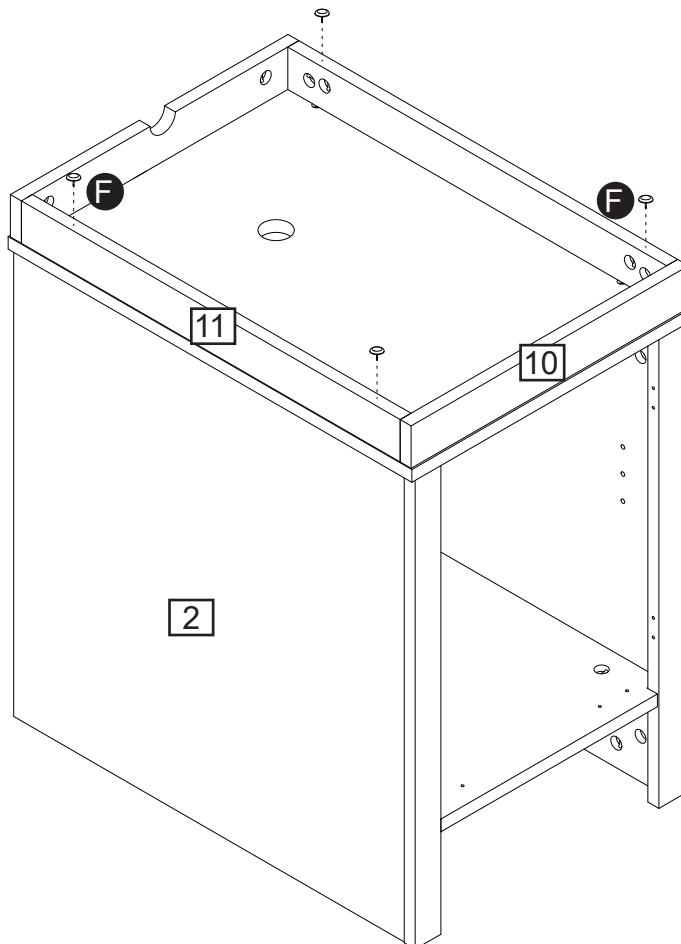
10



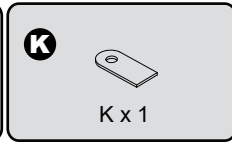
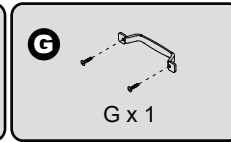
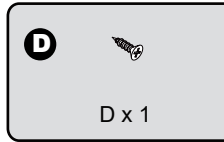
11



12



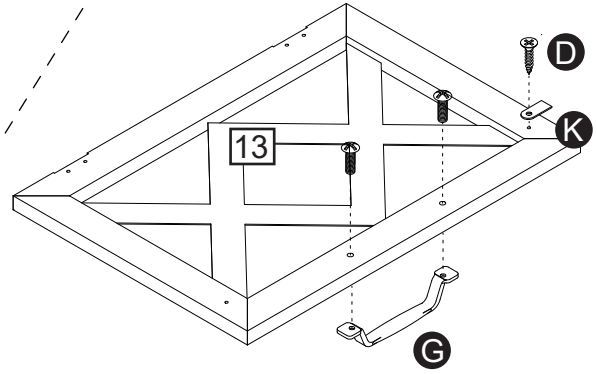
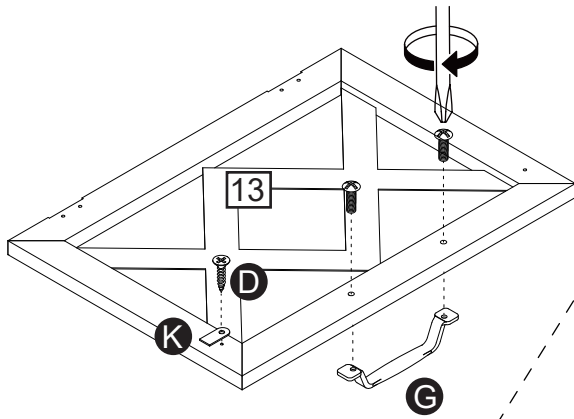
13



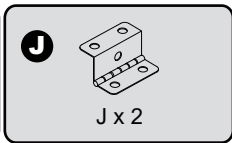
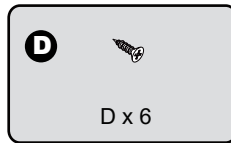
open to the left

or

open to the right



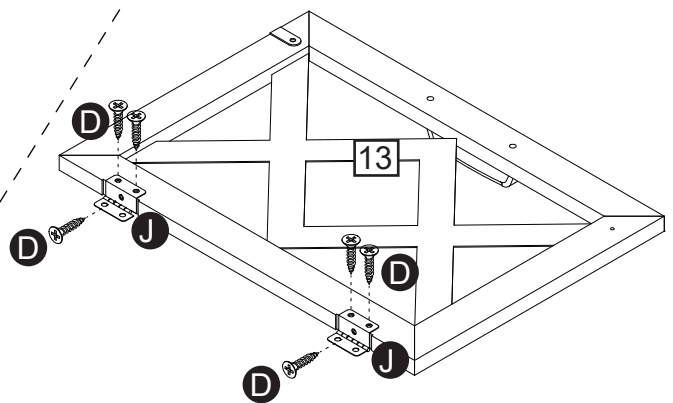
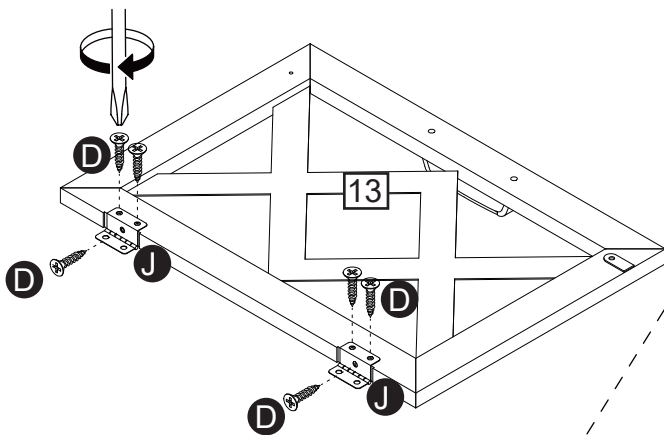
14



open to the left

or

open to the right



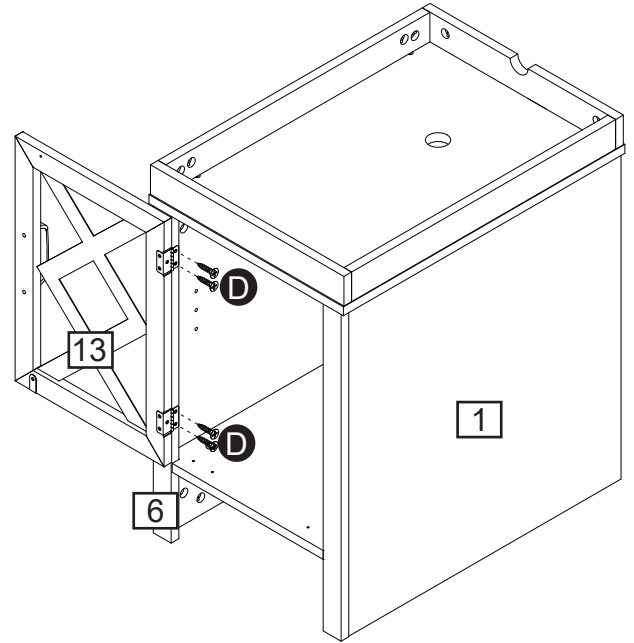
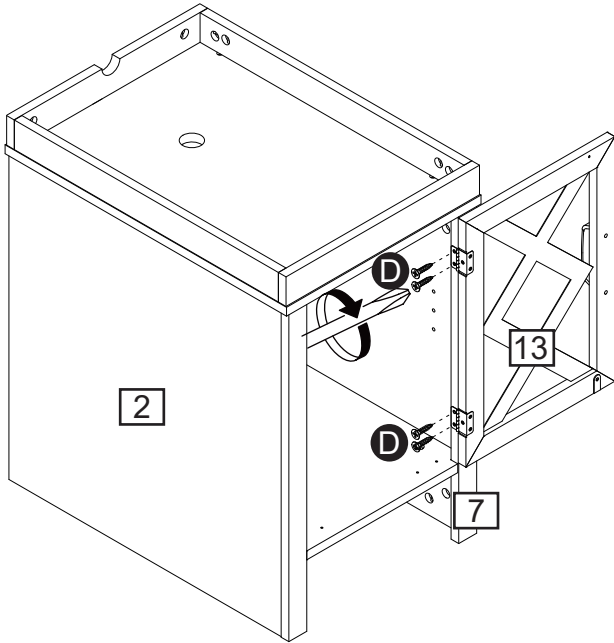
15



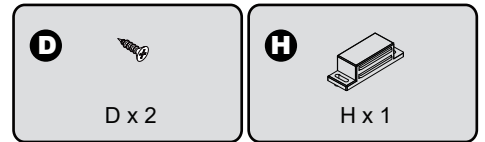
open to the left

or

open to the right



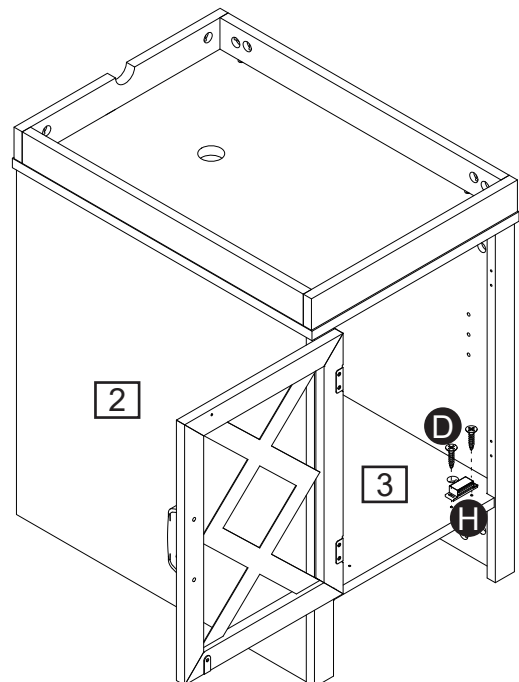
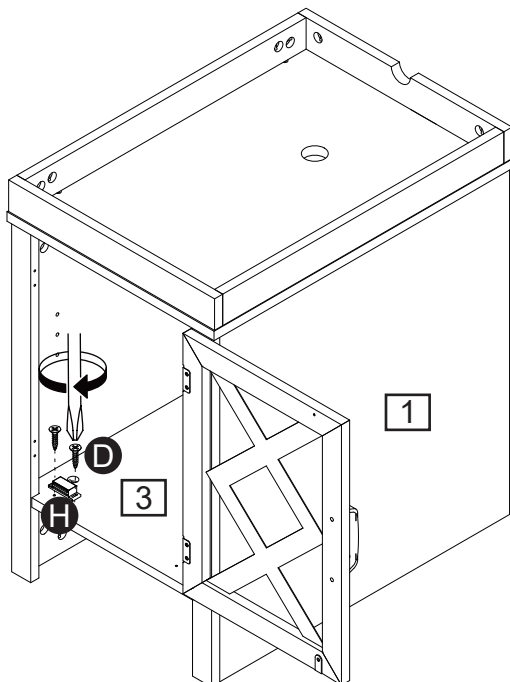
16



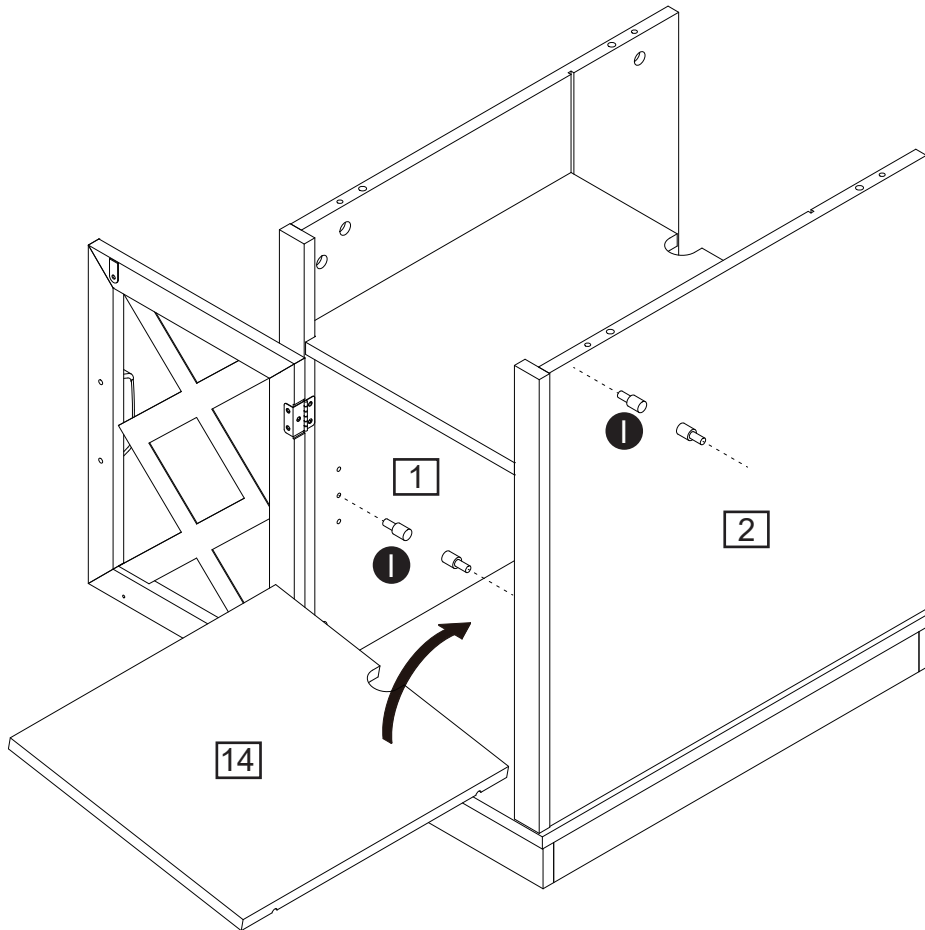
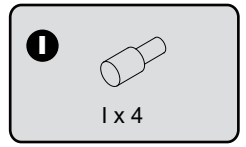
open to the left

or

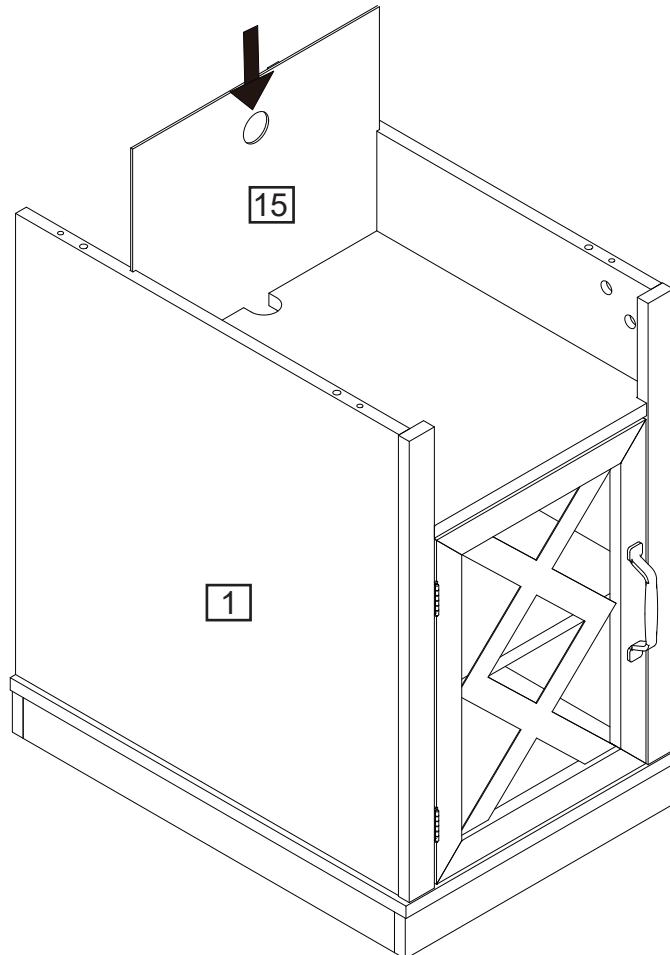
open to the right



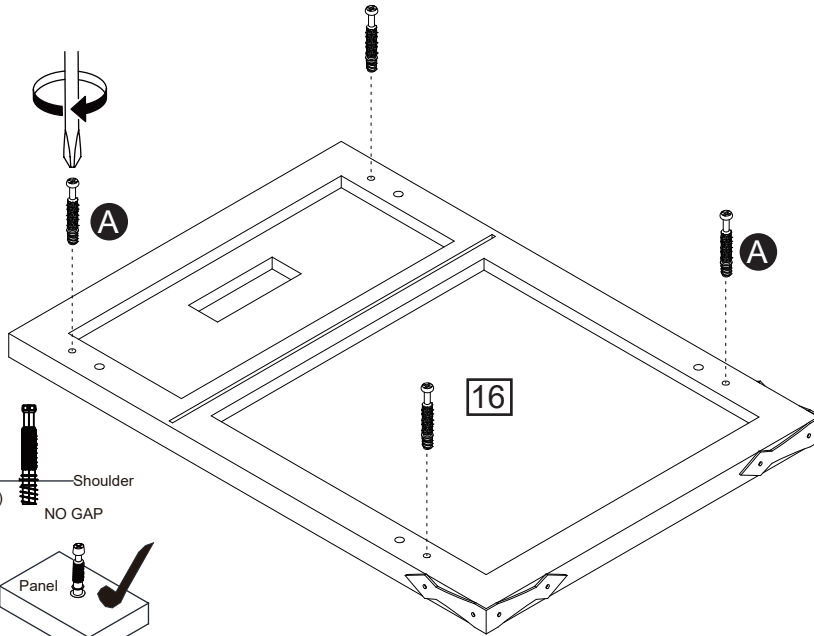
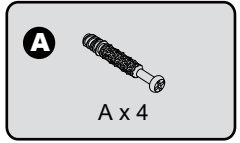
17



18

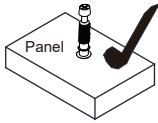
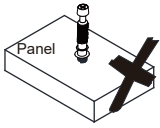
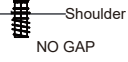


19

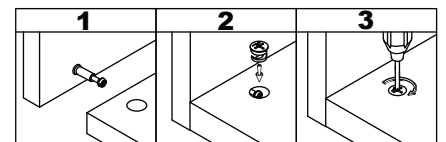
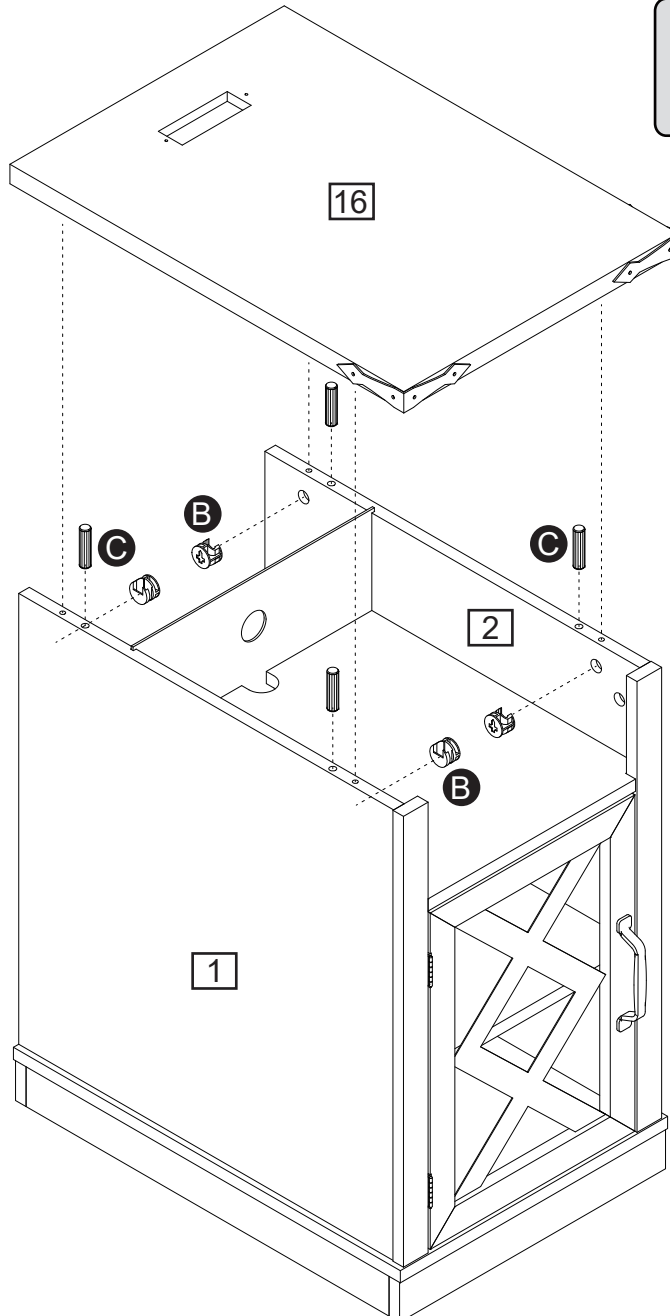
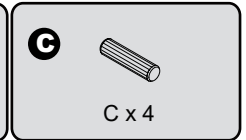
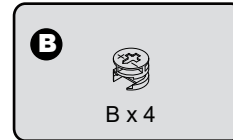


CAM-LOCK

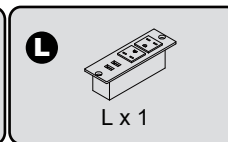
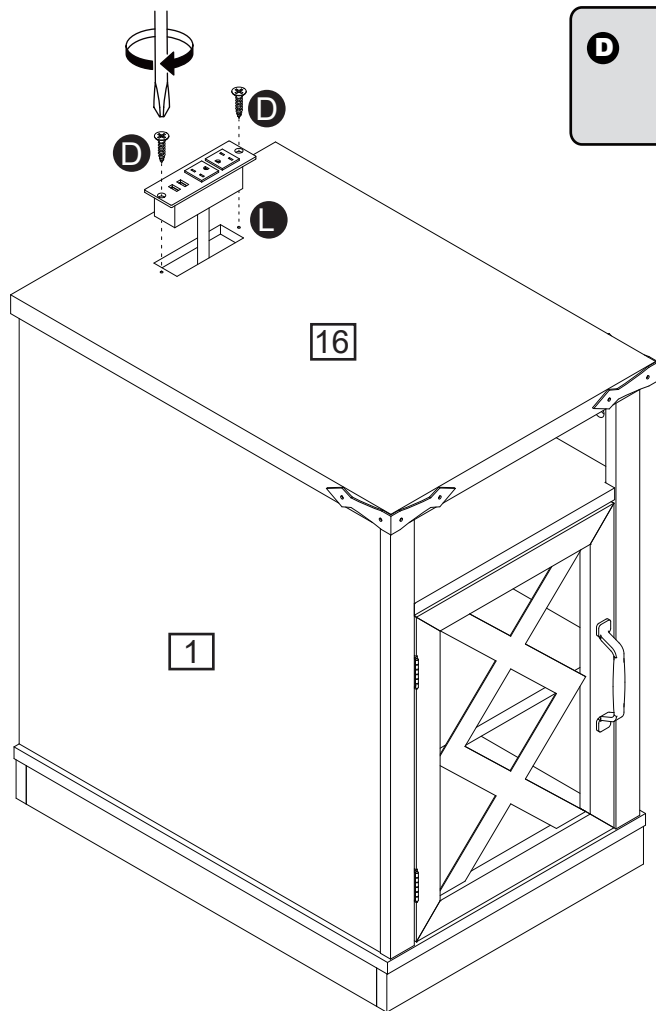
Tighten until shoulder is flush with panel. Do not overtighten or undertighten (see example below)



20



21



22

