

# **VALLEY** <sup>®</sup>

## **Freestanding Bathtub Installation Manual**



---

## INTRODUCTION

---

Thank you for choosing **Valley!** This installation manual provides general information on the installation of our Freestanding Bath products.

**NEVER** lift or carry your unit by any grab bars. If your unit is equipped with a whirlpool system it is very important **NOT** to carry it by any whirlpool piping.

NOTE: Carrying a Freestanding Bathtub in this manner will void your warranty.

---

## BEFORE YOU BEGIN

---

- Read the instructions carefully, and thoroughly prior to installation.
- Consult local building codes to establish that the installation complies with all standards and practices.
- Unpack the unit and examine for any damage before disposal of packaging, or accepting it from your sales person.
- If your inspection reveals any damage or defects in the finish, please Contact Us. Your warranty does not cover damage or defects to the finish once the unit has been installed. Valley's responsibility for shipping damages ceases upon delivery of the product in good order to the carrier. All complaints regarding damage due to transport must be made directly with the carrier.
- It is recommended that you place your unit into the desired bathroom before you begin. Sectional units should be disassembled if necessary; being sure to conserve all nuts and bolts for reassembly.
- **Ensure that the drain is tightened and sealed; if factory supplied gasket is provided, you may use this or silicone to seal the drain, but not both.**
- **Fill tub past the overflow and let sit for a period of 24 hours to ensure that there are no leaks.**
- **If a separate drain and overflow is used, please ensure that this is also sealed, and tightened. Perform a 24 hour water test as described above.**
- To protect the unit during installation, we suggest laying it onto a piece of flat cardboard rather than on the floor itself.
- Do not remove the polyethylene protective film until the installation is complete for maximum protection.
- The floor must be level, and strong enough to support the weight of the water-filled bathtub.
- Verify that all the dimensions on the plan are the same as those of your unit.
- Should your bathtub be equipped with both a whirlpool and air system, we recommend using Valley's Allaire freestanding tub module to house the blower and/or motor. If the blower cannot be installed under your bathtub, it can be located up to 9 feet away. Your air blower manifold must, however, be installed above the water line of the bathtub in which it is being installed. Approximately two feet of your tubing will be required to elevate the manifold. Please consider this in your calculations.

**\*Note:** The Allaire module can also be used to deck mount your Roman tub filler. Ensure that the spout reach is adequate on your tub filler.

- Create an access panel at least 30" x 30" (750mm x 750mm) that is located close to the whirlpool pump and/or air system blower to allow easy servicing and access.
- Access must be provided for each product component (Water heater, light, nozzle, electronic and air control, faucets).
- Test the installation of your Whirlpool and/or air systems prior to completing finishing touches, but after completed plumbing.
- Dedicated GFI (Ground Fault Interrupter) circuits are required. Check your local electrical code for full details.

---

## PLUMBING

---

Make sure you install all plumbing, and drainage before securing the unit. It is always recommended to have a certified, professional to perform the installations. Before drilling a hole in the floor for your drain pipe, ensure that there are no hidden elements beneath. (Pipes, floor joists, heating ducts, electrical wires, etc)

---

## LEVELING & SUPPORT

---

The floor must be level for proper installation of your freestanding tub. Once the unit is in position, ensure that it is level in both directions for proper draining to occur.

---

## EASY DRAIN INSTALLATION

---

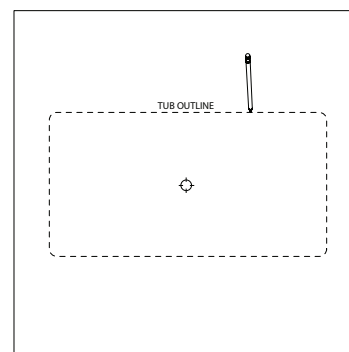
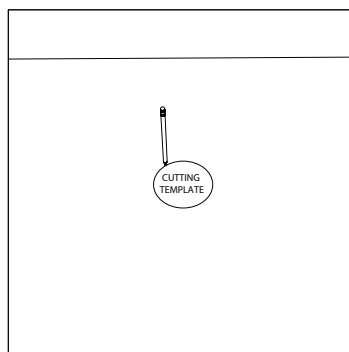
If your freestanding tub is equipped with an integral slotted overflow and pop up drain, your drain will be fitted with a 1 1/2" NPT outlet on the bottom outlet. An 1 1/2" ABS MIP adapter can be used to adapt to in floor piping if access from under the floor is available.

Check your tub model as most Valley freestanding tubs come equipped with integral slotted overflows and pop up drains. If your tub does not include a drain, make sure that the waste and overflow you choose is adequate for the installation. Your installer will be able to help you choose the correct drain.

For a topmount application we recommend the Easy Drain by Valley. An installation video of the Easy Drain is available on our website at <http://www.valleyacrylic.com/2015/Videos/EasyDrain/EasyDrain.php>

### STEP 1

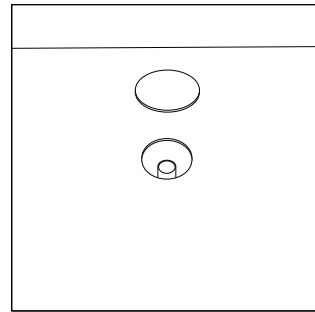
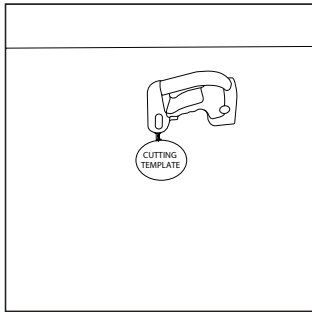
Mark on the wood sub-floor the cutting location for the drain flange to coincide with tub drain location.



Outline tub on floor to ensure drain is centred.

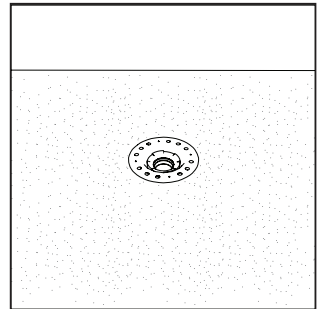
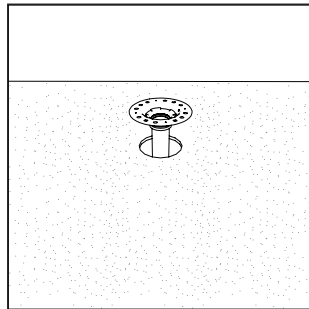
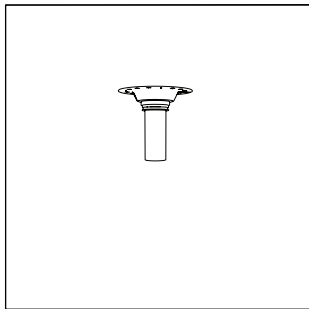
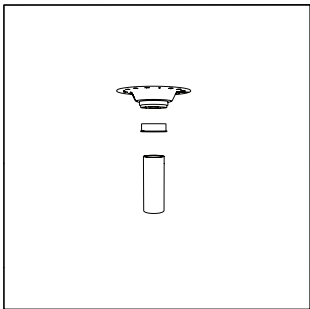
## STEP 2

Cut 6 1/2" (16.5mm) hole into the wood sub-floor for the drain flange.



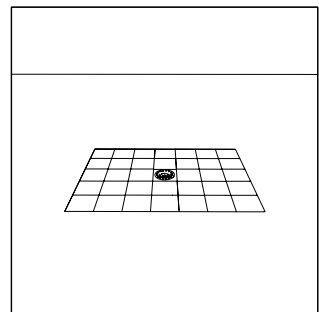
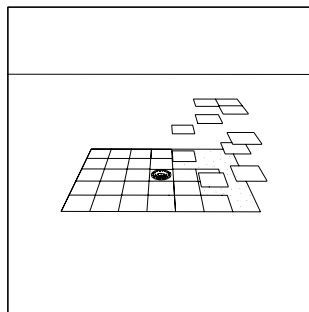
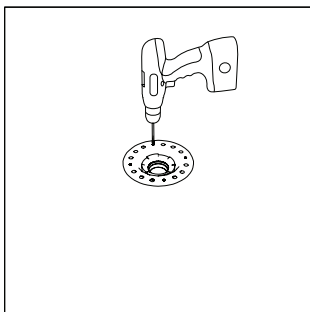
## STEP 3

Assemble the drain (EasyDrain) - Insert assembly into floor opening.



## STEP 4

Screw the drain (EasyDrain) into place, and install the ceramic tiles, or desired flooring.



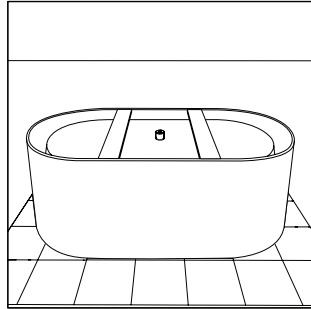
---

## FREE STANDING BATHTUB INSTALLATION

---

### STEP 1 - TWO PEOPLE REQUIRED

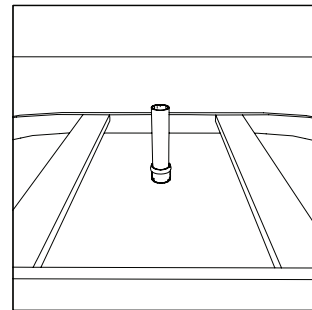
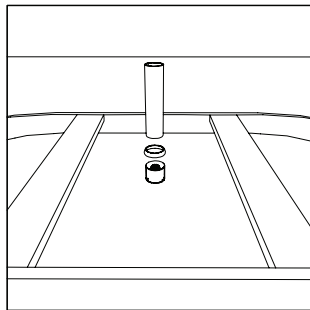
Turn the tub upside down for an easy installation.



### STEP 2

Affix the appropriate brass tailpiece to the waste & overflow bottom outlet.

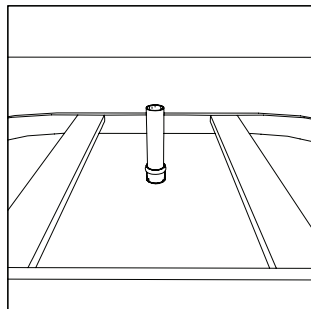
**NOTE:** Do not cut the supplied brass tailpiece; doing so may cause a leak.



### STEP 3

Ensure the measurements between the base of the drain and the P-Trap will accommodate the tailpiece.

**APPLY LUBRICANT TO THE TAILPIECE**



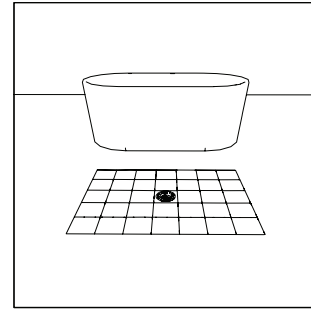
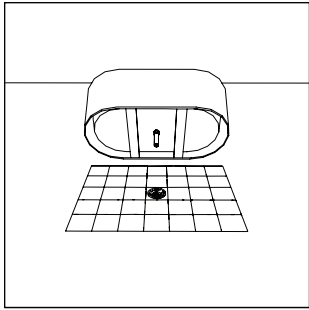
---

## FREE STANDING BATHTUB INSTALLATION

---

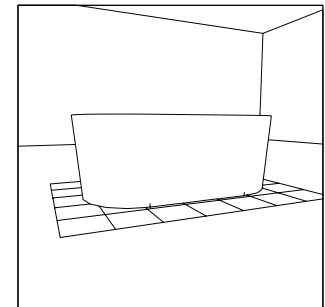
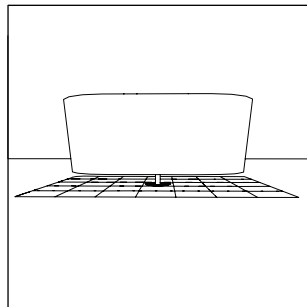
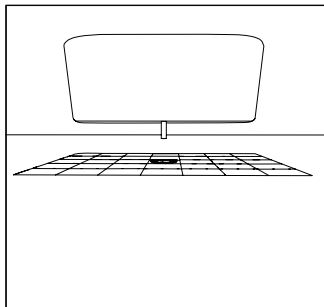
### STEP 4 - TWO PEOPLE REQUIRED

Once the tailpiece has been installed onto the drain portion of the waste & overflow, position the Tub and tailpiece in-line with the Easy Drain.



### STEP 5 - TWO PEOPLE REQUIRED

Carefully lower the tub with the installed brass tailpiece as vertical as possible into the red collar in drain assembly.



Silicone around base to secure

---

### MAINTENANCE

---

**General cleaning:** Cleaning can be accomplished with hot, soapy water and a damp cloth. Whirlpool systems can be cleaned by running bleach, or a mixture of baking soda and vinegar through the system while in use; then cycling the cleaner. After cleaning is complete, refill with water, and allow the system to run through a thorough rinse; cycling the water through the whirlpool jets to clear them. Weekly cleaning is recommended for tubs and whirlpool jetting systems.

Regular cleaning provides an effective defense against various types of bacteria capable of developing in deposits which can build up over time in all bathtubs and showers.

For acrylic surfaces, occasional use of special acrylic surface cleaners will add luster and protect your finish. Do not use abrasive cleaners, scrapers, metal brushes, or any items or products that could scratch or dull the surface.

**Removing joint compound:** Use a plastic or wood spatula covered with a damp cloth. Do not use any metal blades or a metal brush. If a rubber mat is used, it must be removed immediately after each use. Ignoring this recommendation will cause damage not covered by the warranty.

Congratulations on becoming a part of the Valley Acrylic family. You are now the proud owner of one of Canada's best made & most hygienic bath products; proudly made in Canada, by Canadians.

## **Valley Acrylic Product Guide**

33778 North Railway Ave  
Mission BC, V2V1H6

**Toll Free** 1.877.398.8827(TUBS)

**Fax** (604)820.0124

**Email** [Sales@valleyacrylic.com](mailto:Sales@valleyacrylic.com)

**Website** [www.ValleyAcrylic.com](http://www.ValleyAcrylic.com)