

ATTENTION

If there is any missing, please kindly send us messages to let us know the part number of missing part regarding to the first page of instructions.

Please also provide your full address, recipient name and contact phone number so that we can send replacement to you as soon as possible.

Children have died from furniture tipover. To reduce the risk of furniture tipover. ALWAYS install tipover restraint provided.



BEFORE STARTING

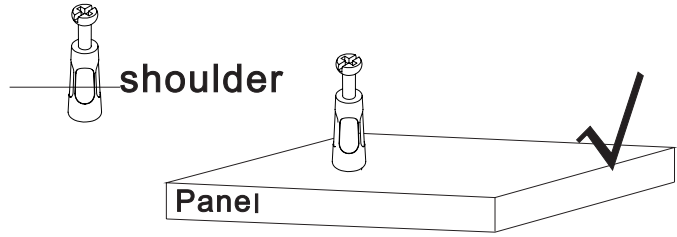
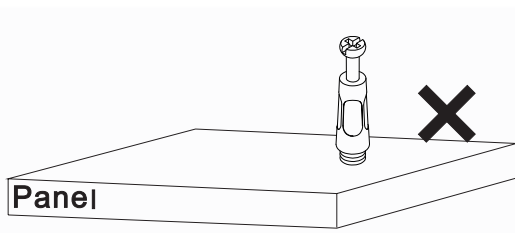
Before Using Product

- Read each step carefully before starting. It is very important that each step is performed in the correct order. If these steps are not followed in sequence, assembly difficulties will occur.
- Make sure all parts are included.
- Work in a spacious area and near where the unit will be used, preferably on a carpet, or use a piece of the cardboard packaging to protect your floor and product.
- For a smooth assembly process, we suggest you keep a lite tightness for all the screws during assembly. After the whole product is assembled, firmly tighten all the screws.

WARNING

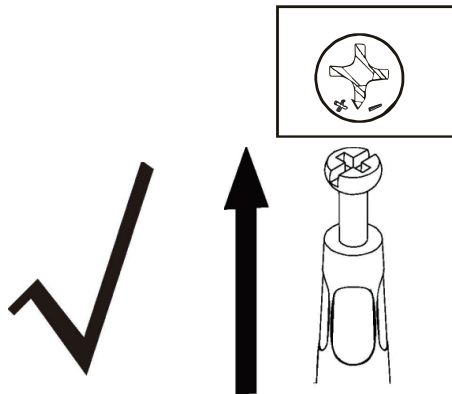
- Do not allow children to climb on unit.
- Avoid sharp objects or corrosive chemicals to prevent damage to the product.
- During assembly, keep parts and packaging materials away from children and pets as there could be potential injury and choking hazards.
- Please make sure that all objects are removed before moving the assembled unit.
- The unit must be team lifted, not dragged or pushed. Failure to do so could cause instability, product collapse, and/or serious injury.
- Be careful when using power tools to assemble your furniture. Power tools may strip or damage the parts.

QUICKFIT

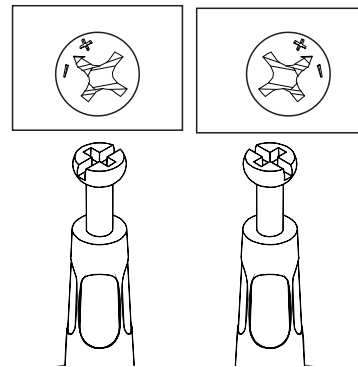


Tighten quickfit until shoulder is flush with panel. Do not overtighten or undertighten.

CAM LOCK

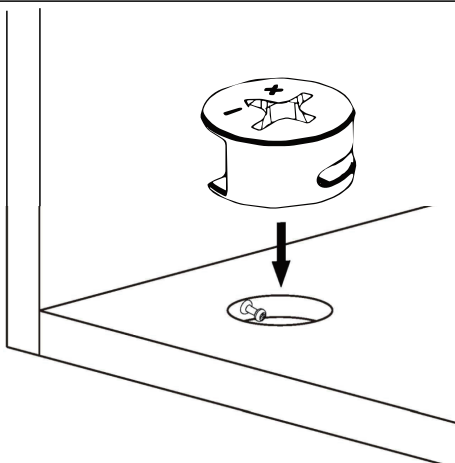


CORRECT

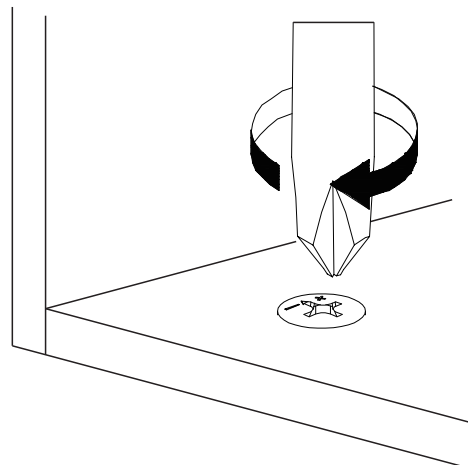


WRONG

When fitting cam lock, ensure starting position is correct before you insert cam lock to quickfit.



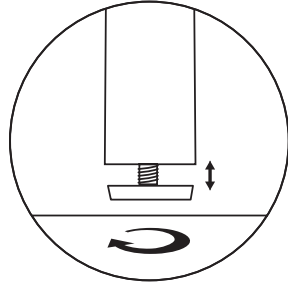
Quickfit head should be in the center of the cam lock. When the two panels are joined. Cam lock should be inserted before quickfit.



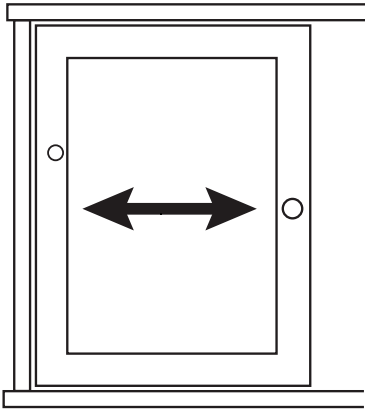
Turn cam lock clockwise to tighten.

Adjusting the doors

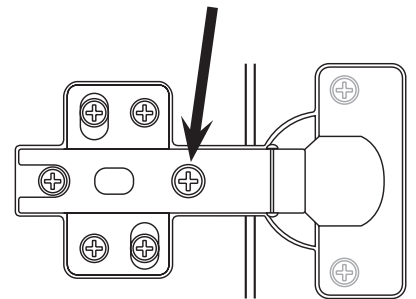
IMPORTANT-The furniture MUST be level on a flat, solid floor surface for the doors to work properly. Remove all items from furniture, then turn the leveling feet under the cabinet to make sure the furniture is level. Once the furniture is level, align the doors as shown for proper operation.



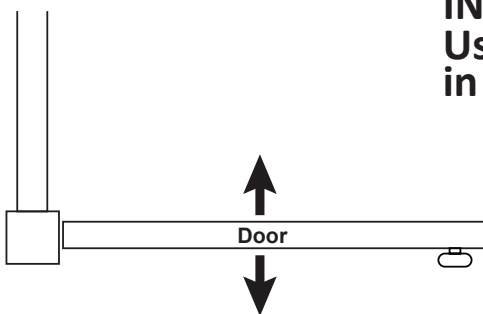
FRONT VIEW



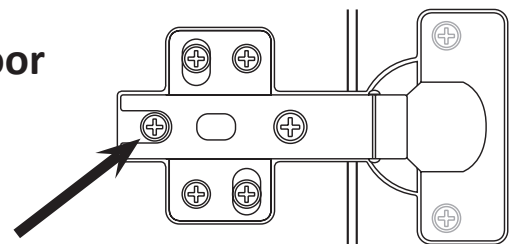
LEFT AND RIGHT
Use screw to adjust the gaps at left and right of the door.

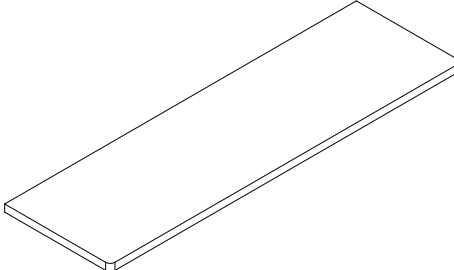
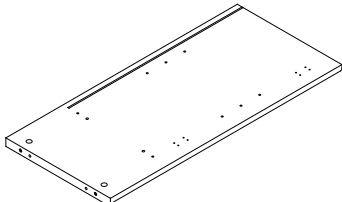
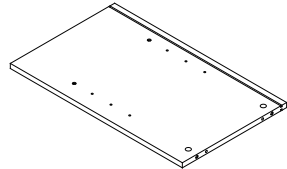
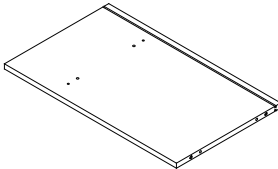
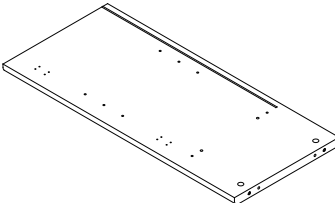
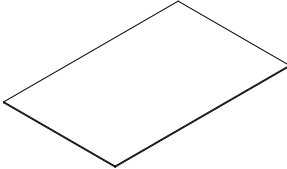
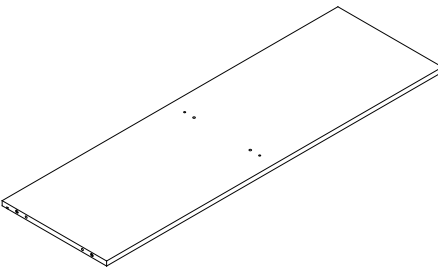
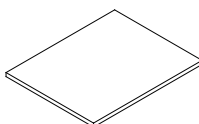
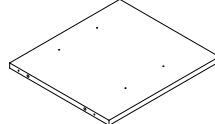
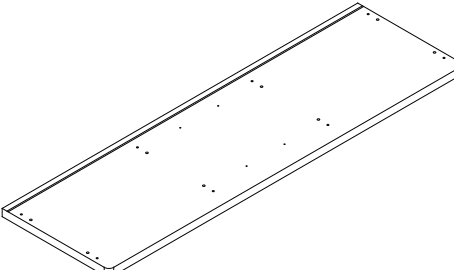
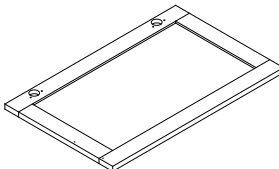
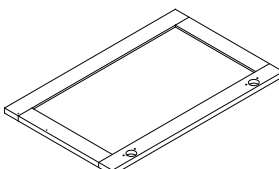
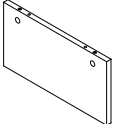


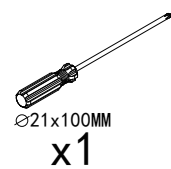
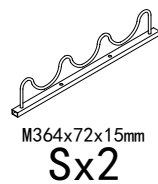
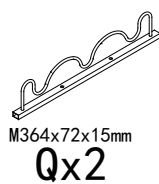
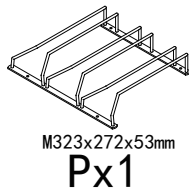
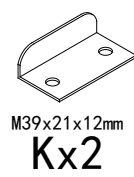
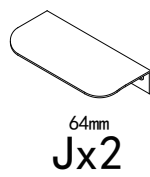
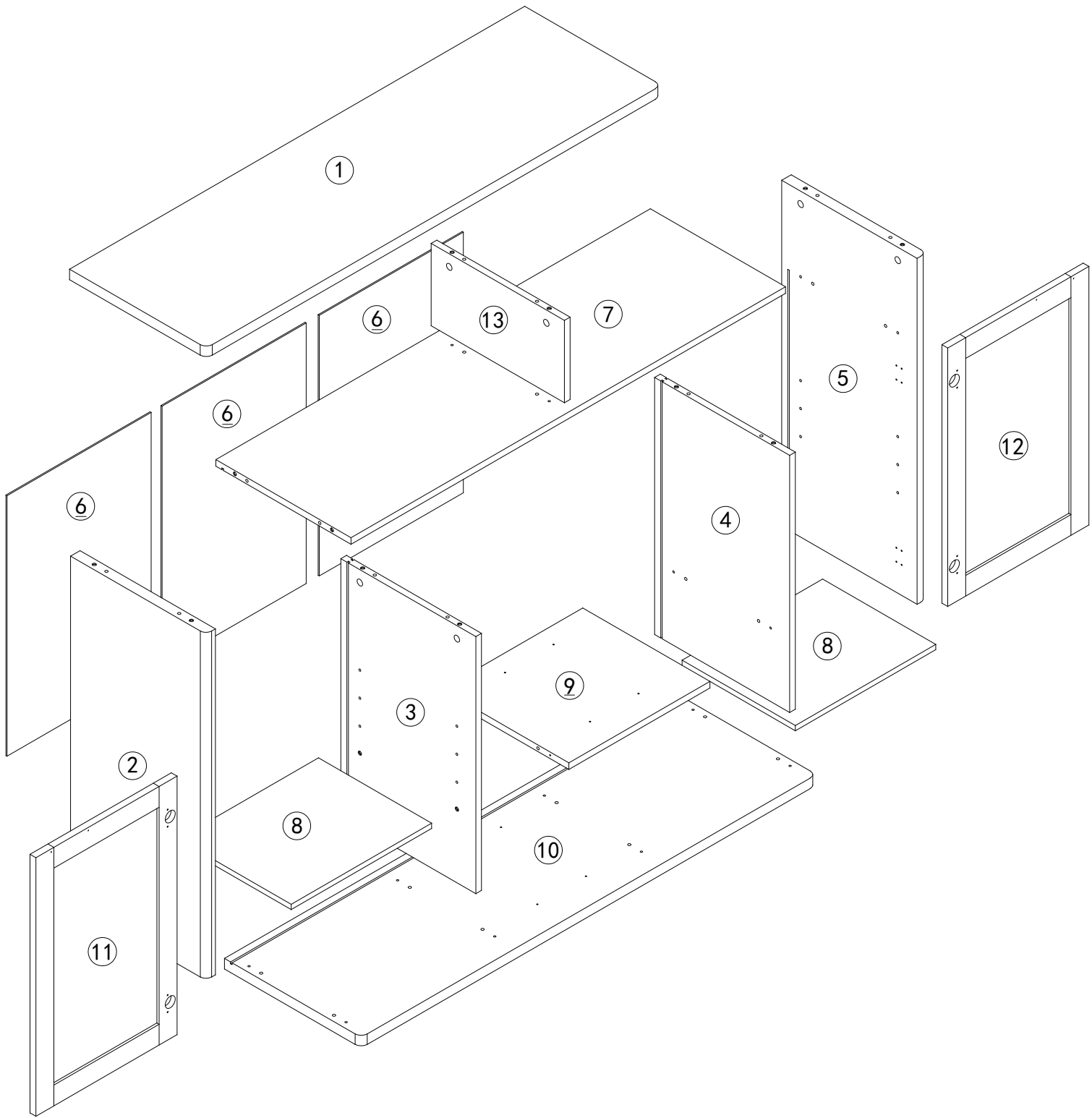
TOP VIEW



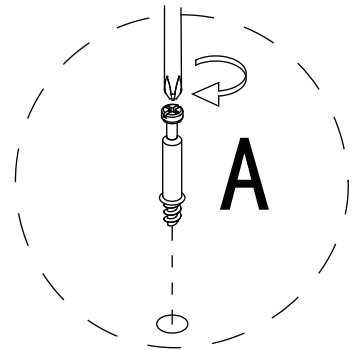
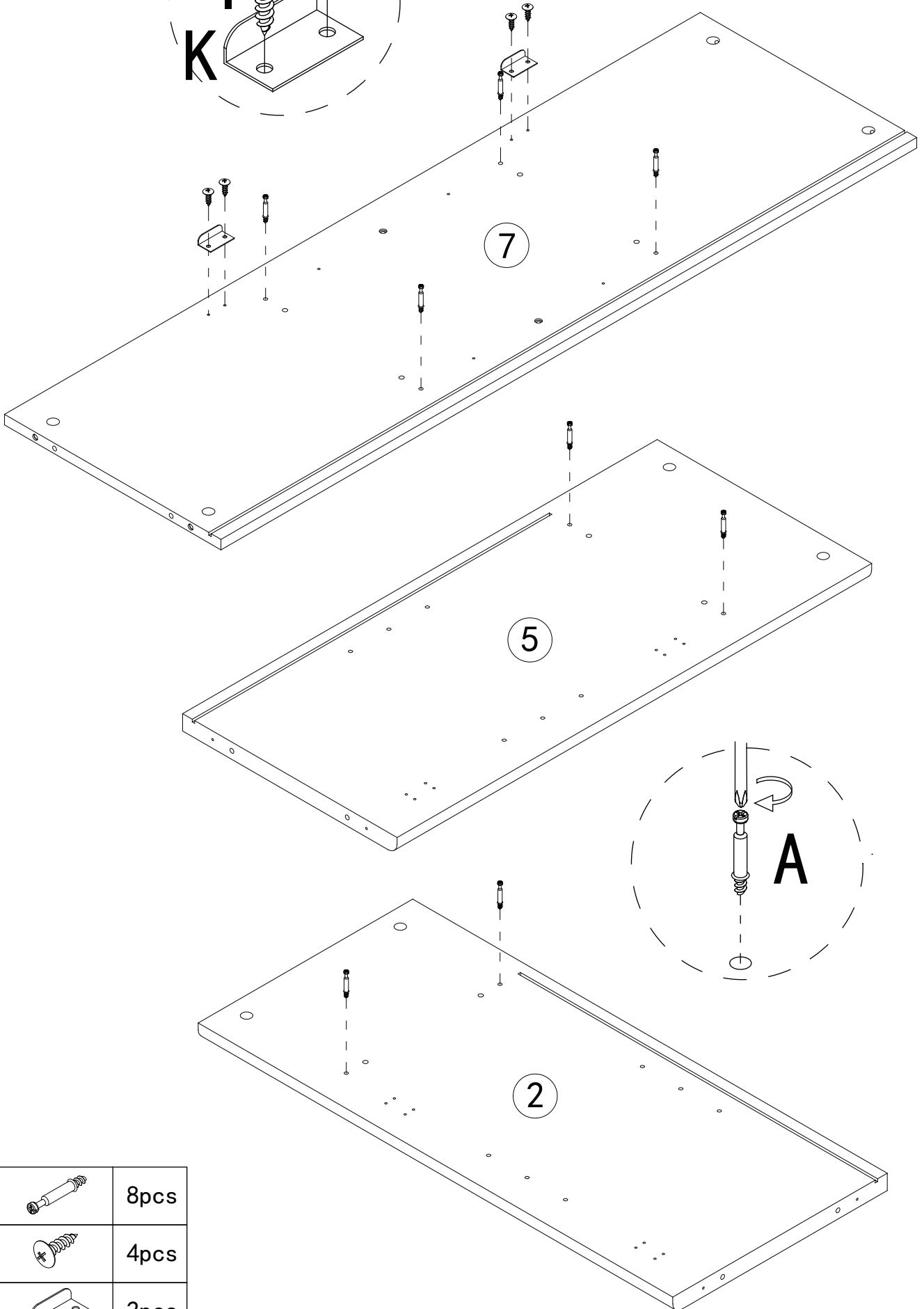
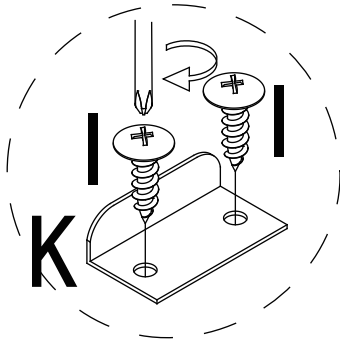
IN AND OUT
Use screw to move the door in or out.

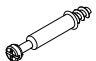

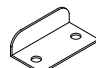


<p>1 x1</p> 	<p>2 x1</p> 	<p>3 x1</p> 
<p>4 x1</p> 	<p>5 x1</p> 	<p>6 x3</p> 
<p>7 x1</p> 	<p>8 x2</p> 	<p>9 x1</p> 
<p>10 x1</p> 	<p>11 x1</p> 	<p>12 x1</p> 
<p>13 x1</p> 		



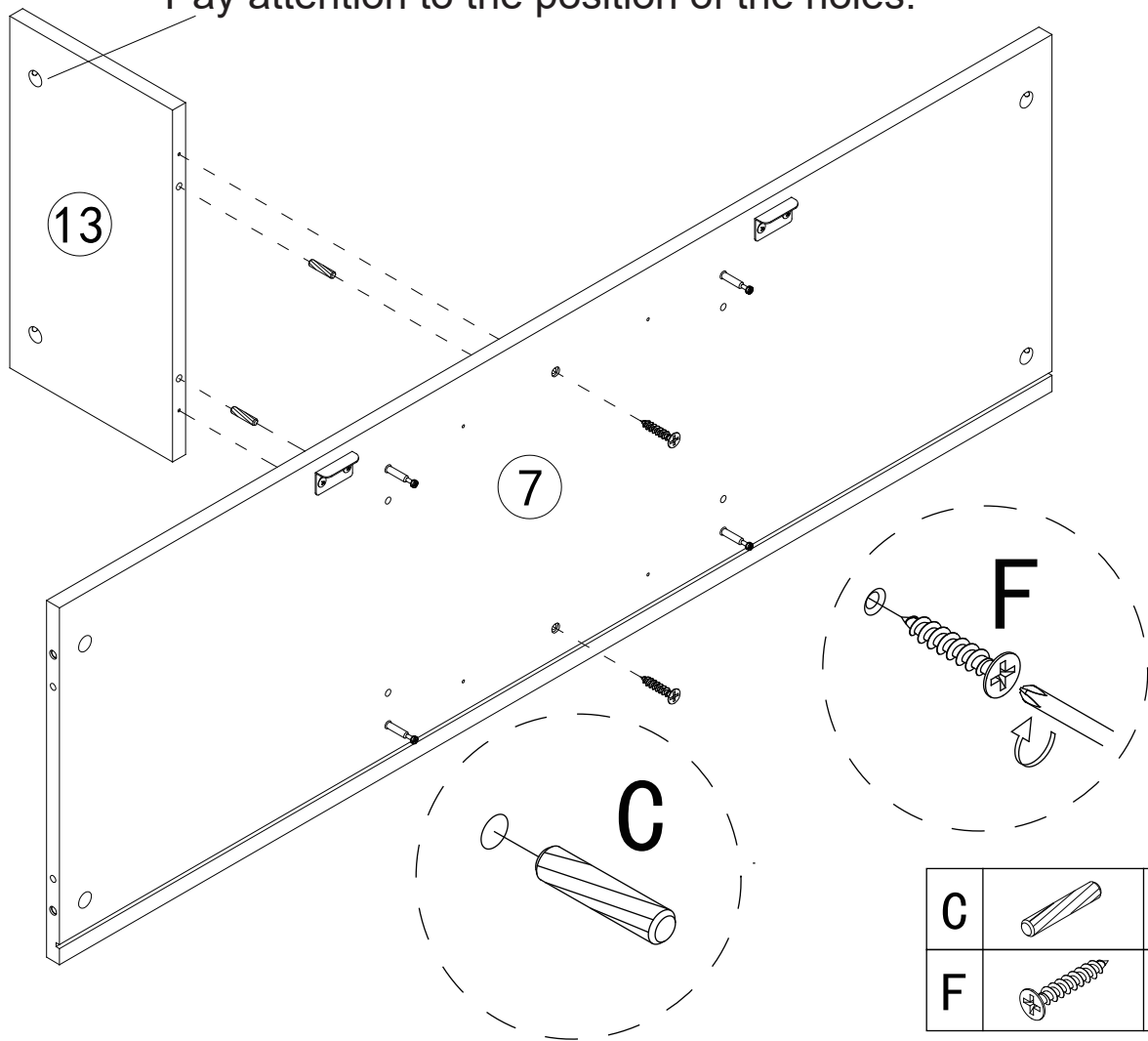
1

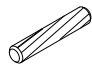
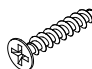


A		8pcs
I		4pcs
K		2pcs

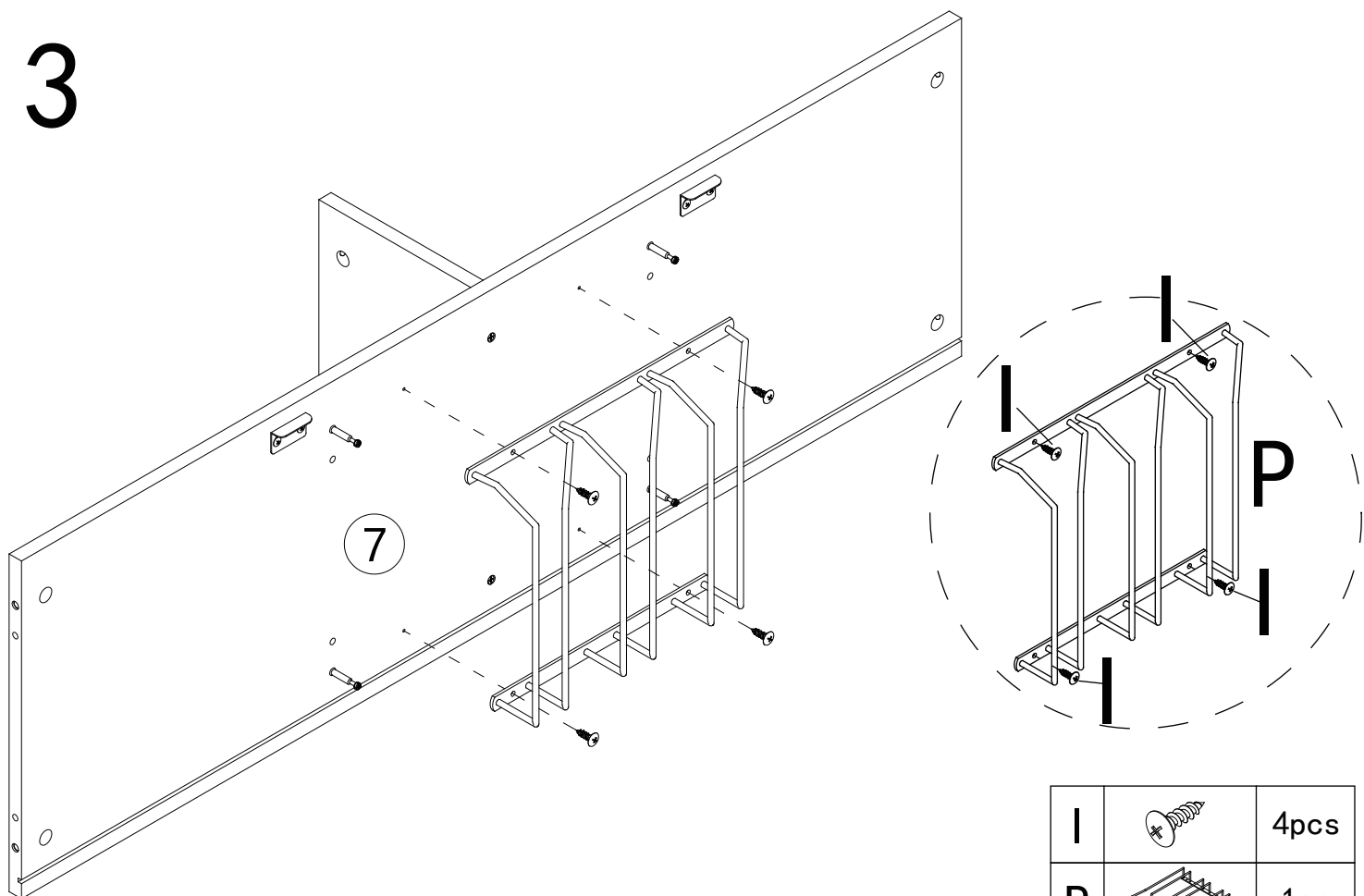
2

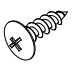
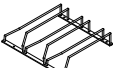
Pay attention to the position of the holes.



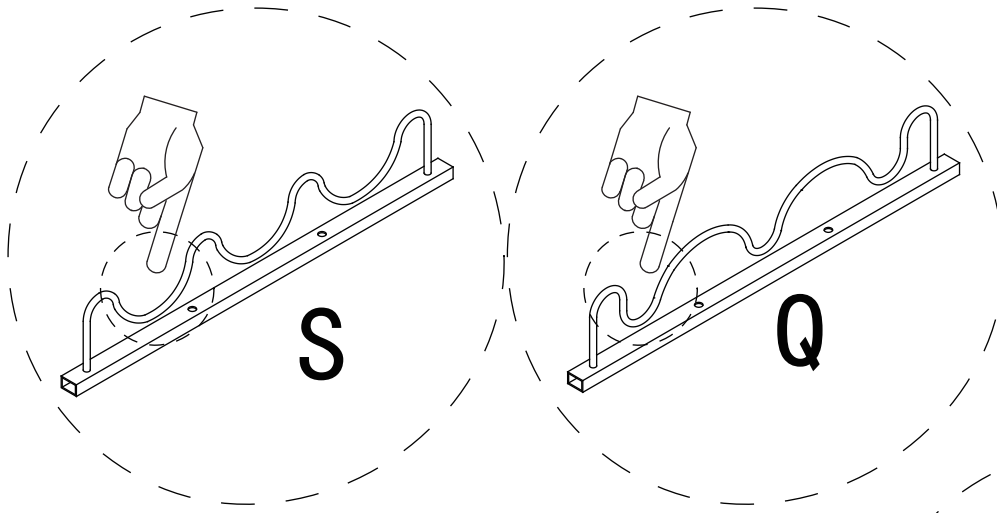
C		2pcs
F		2pcs

3

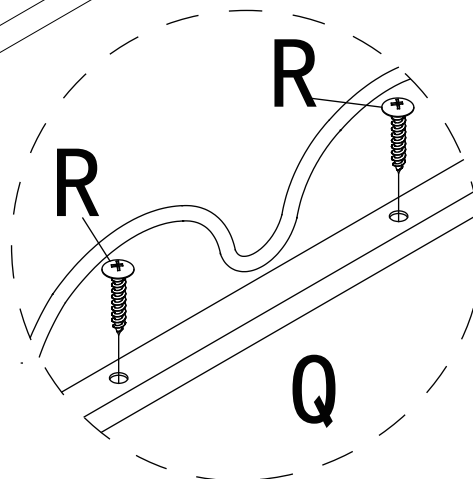
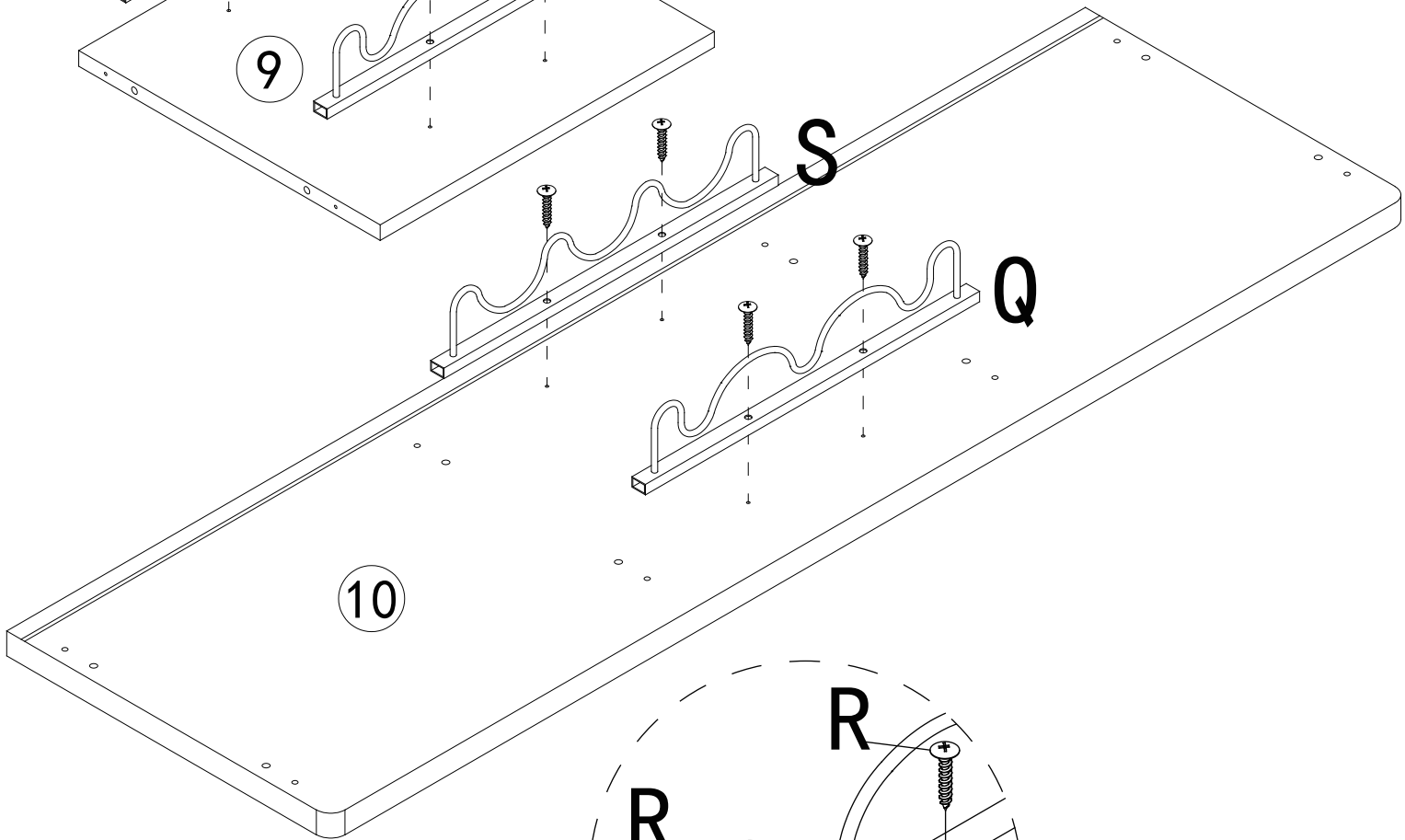
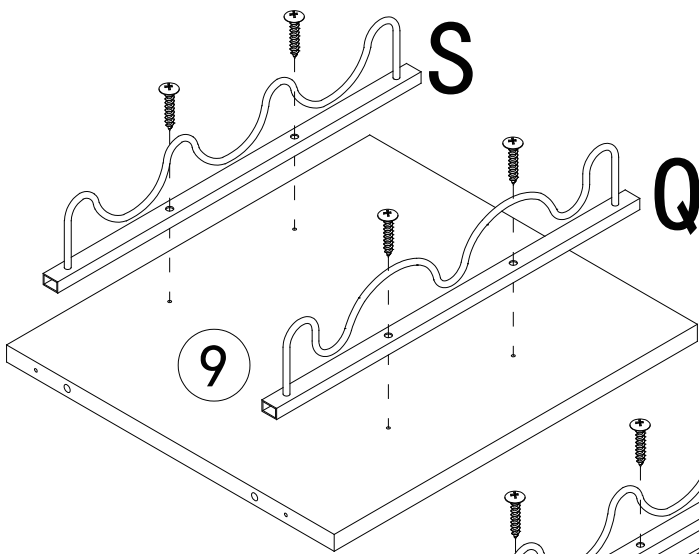
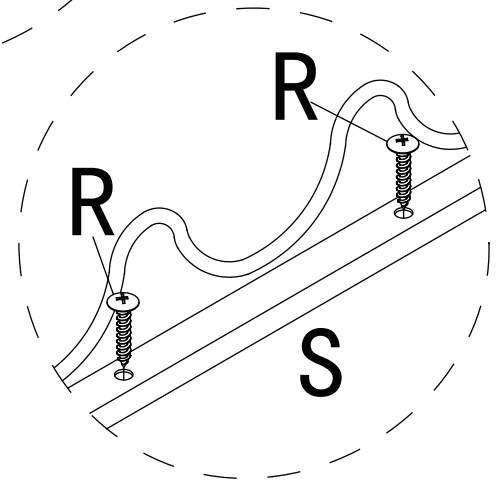




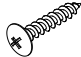
I		4pcs
P		1pc

4

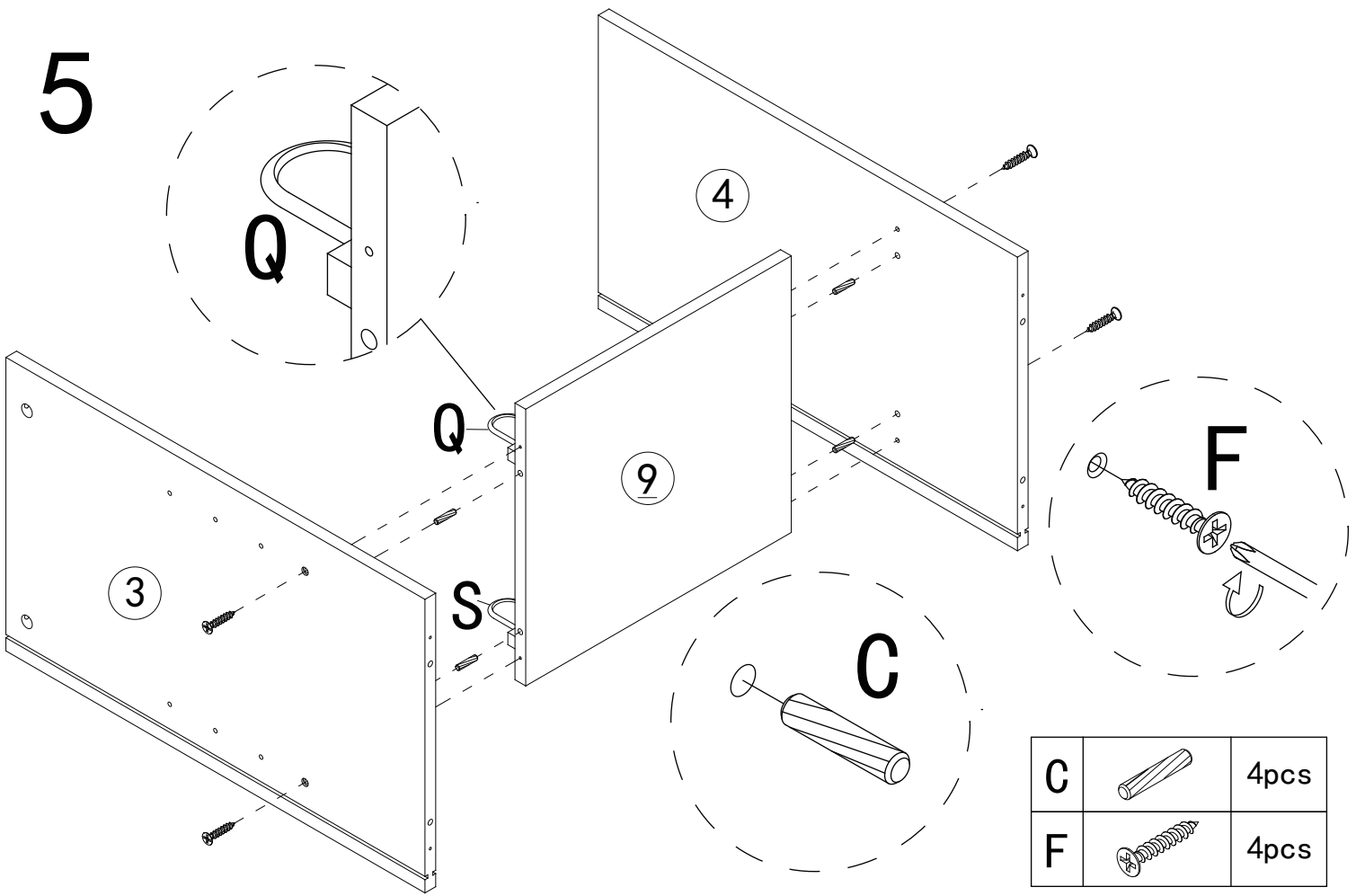


Take care to distinguish between S and Q.

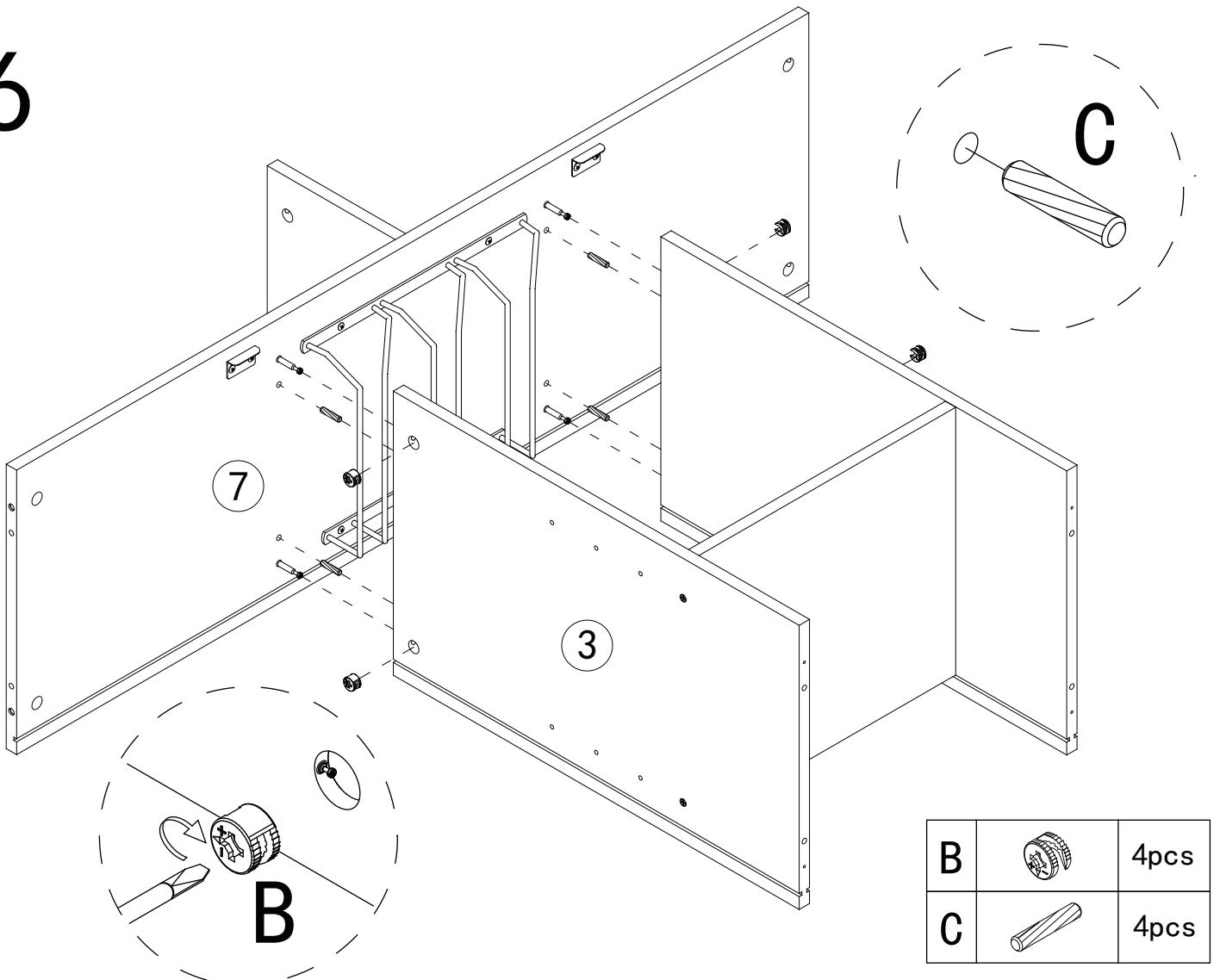


Q		2pcs
S		2pcs
R		8pcs

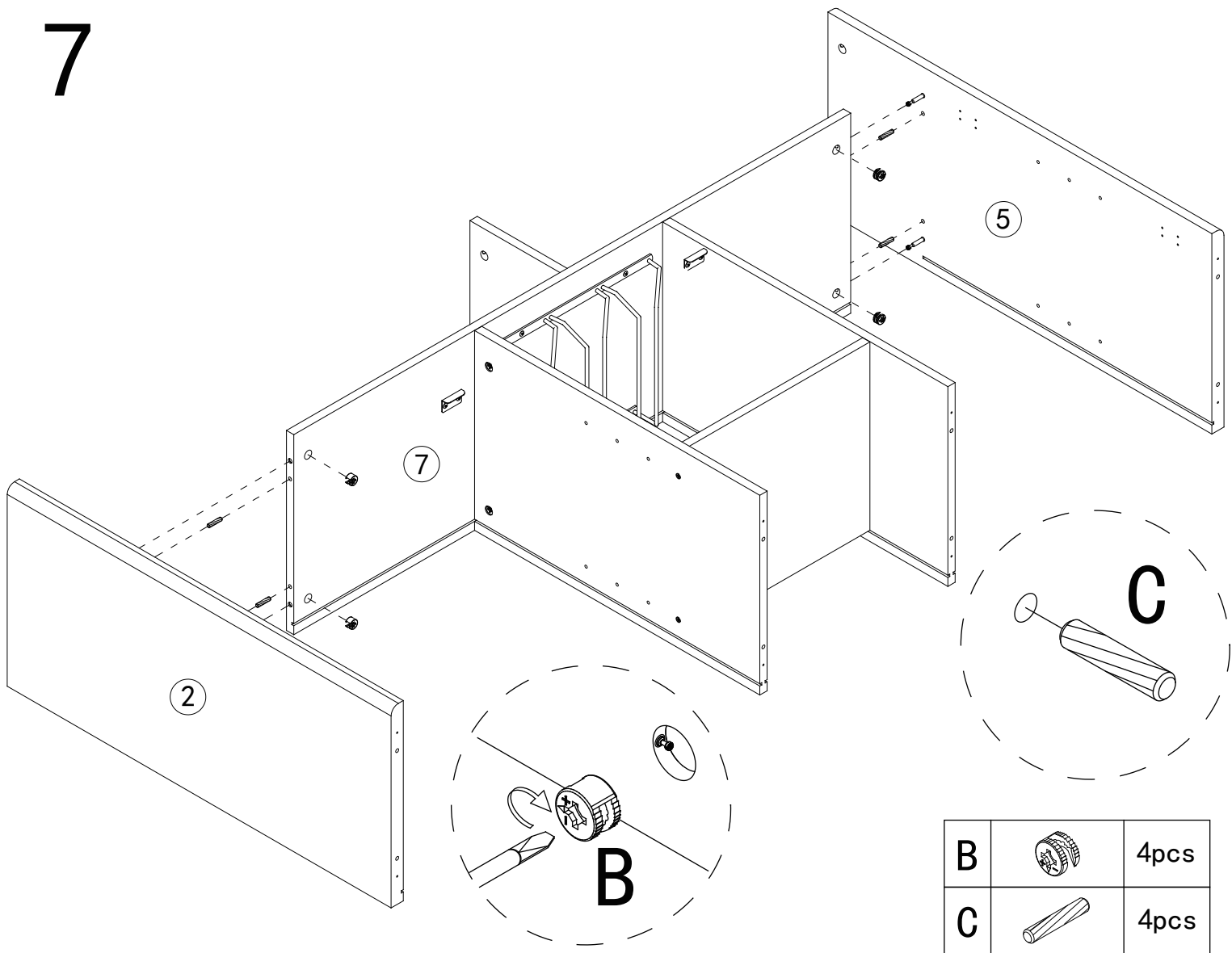
5



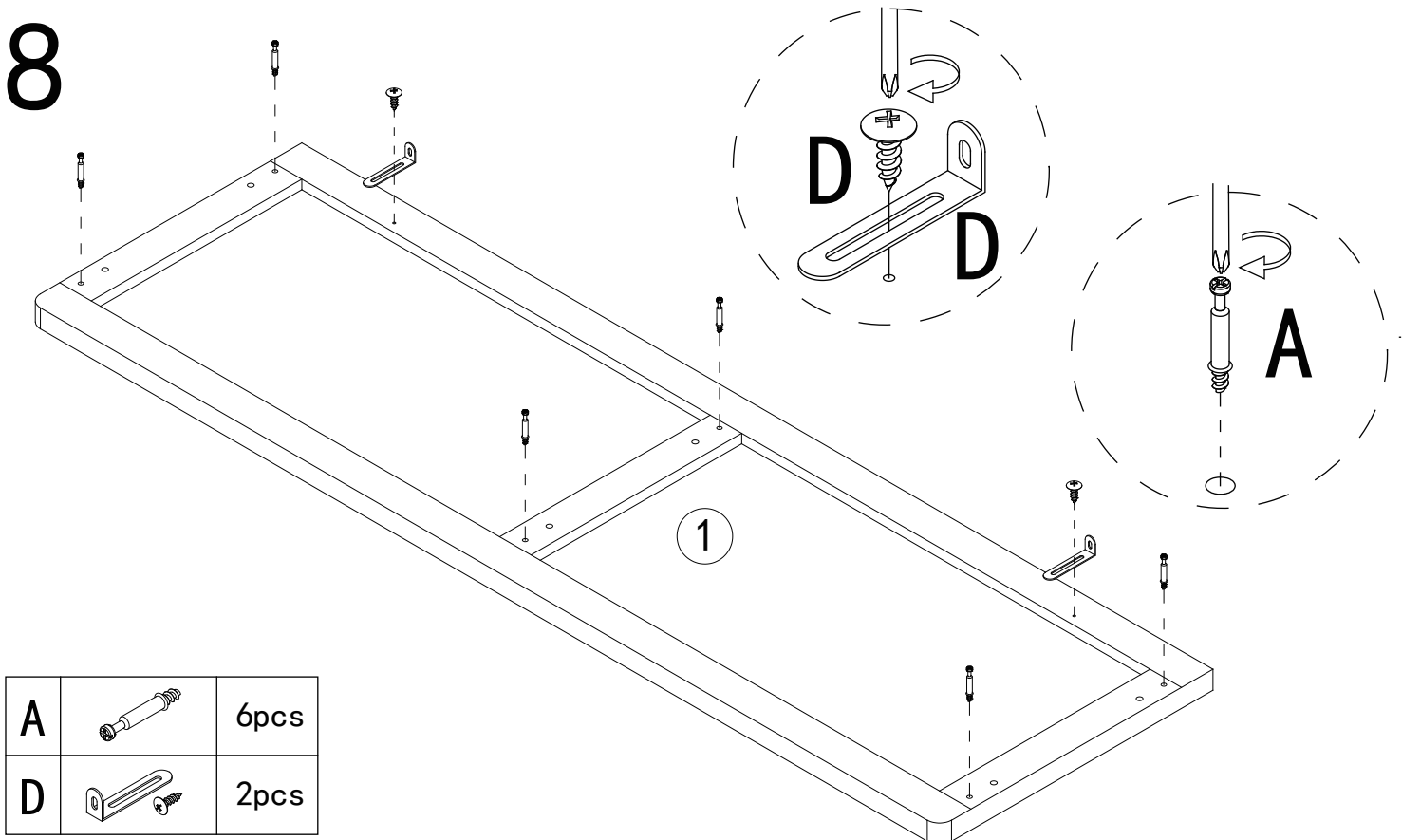
6



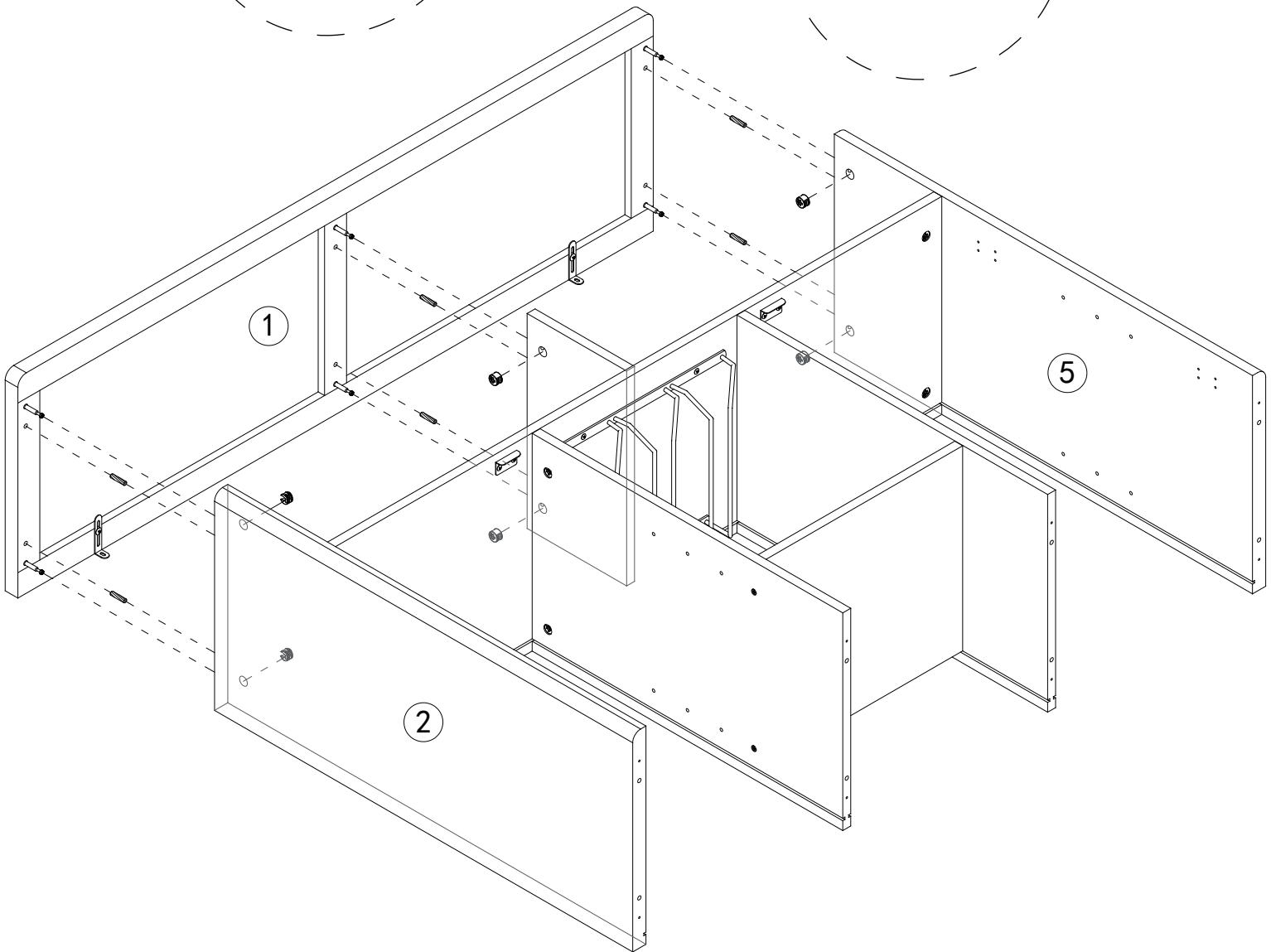
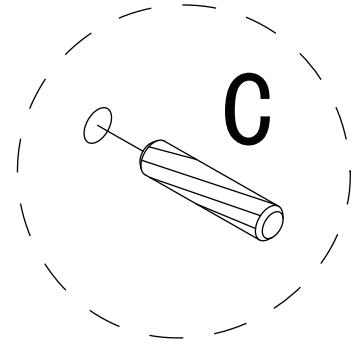
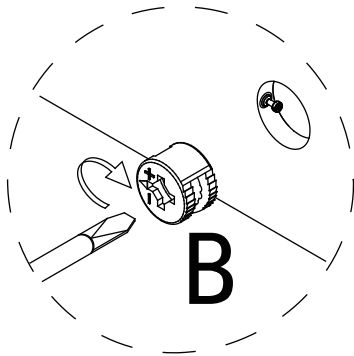
7





8

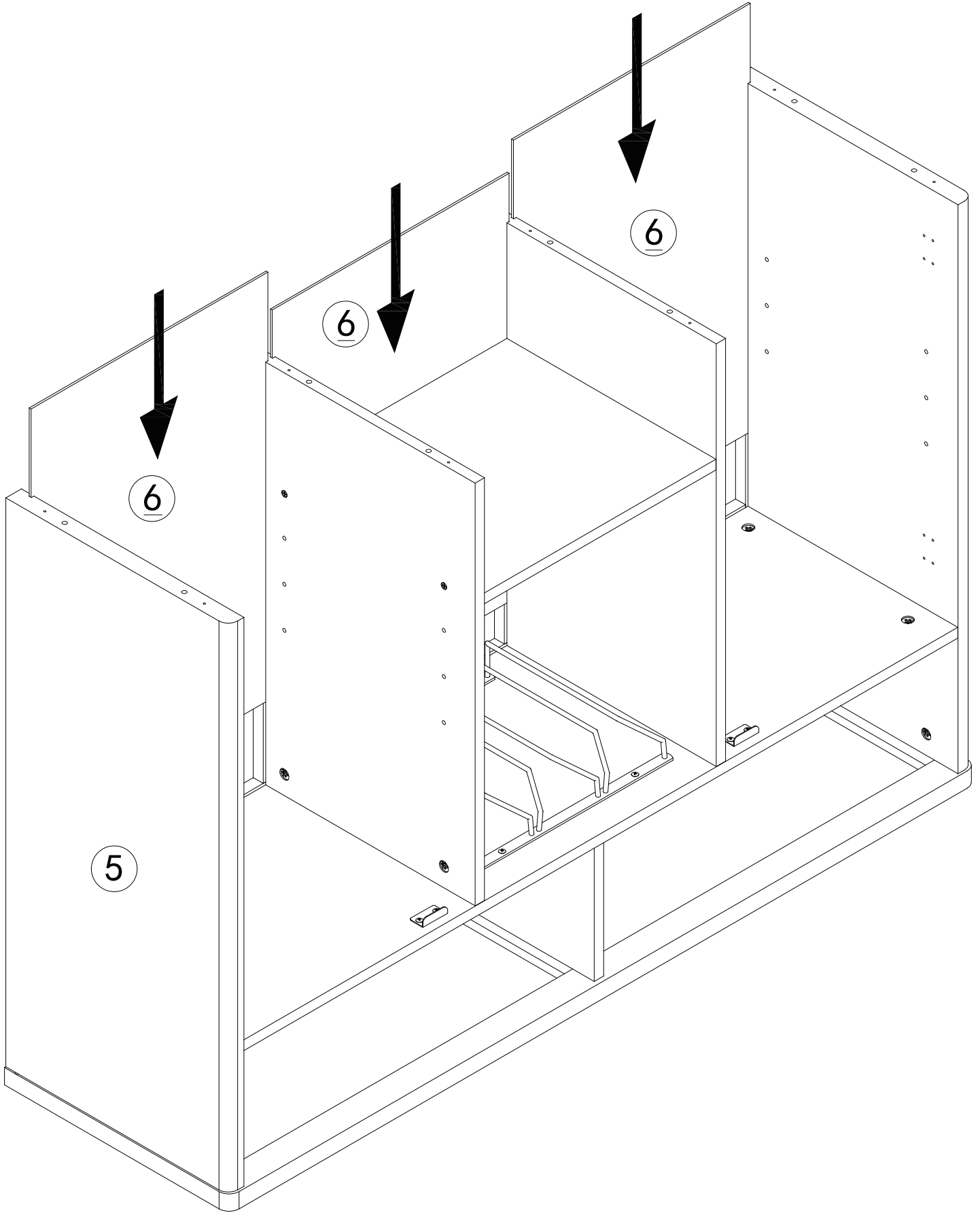


9

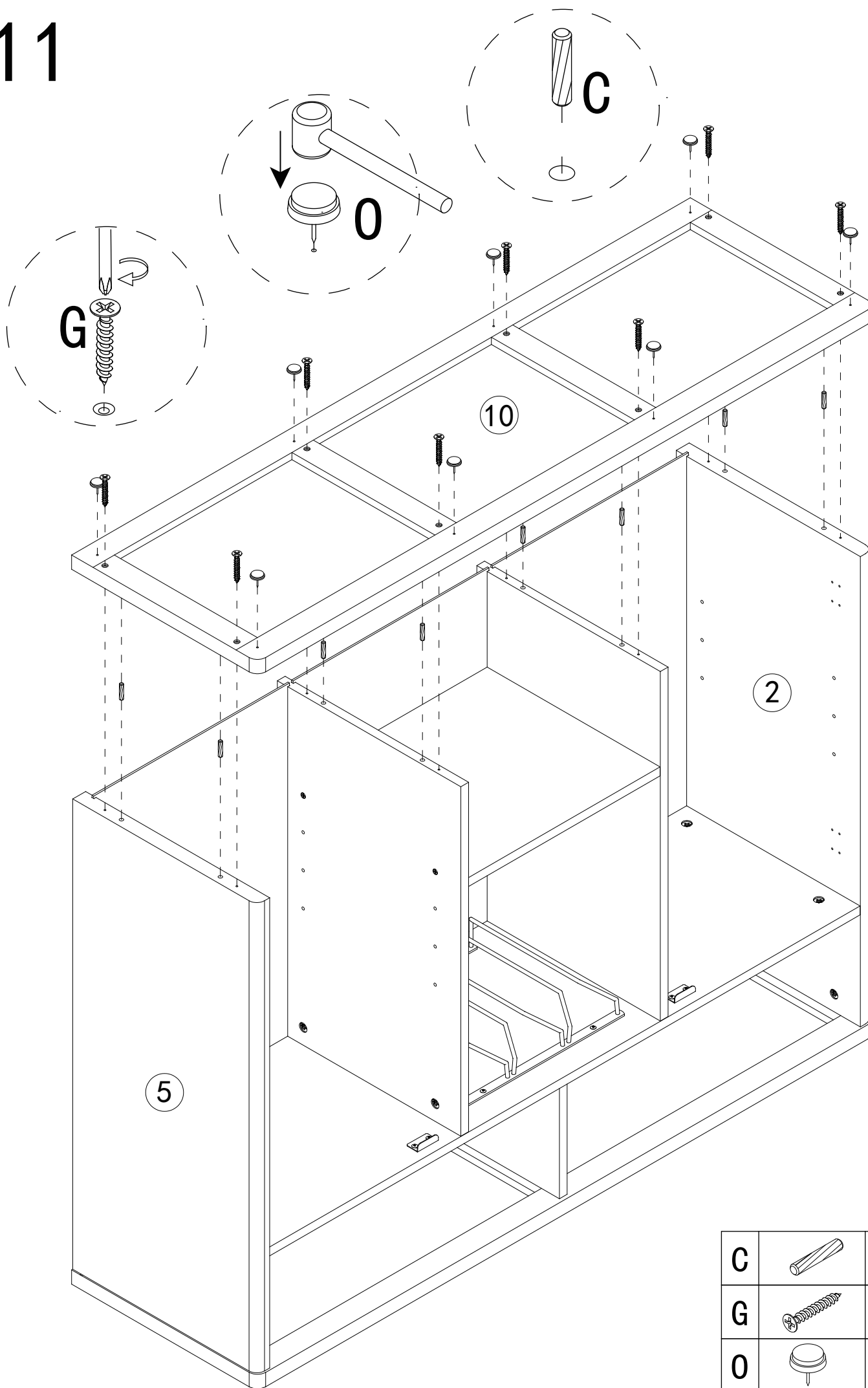


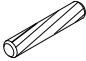
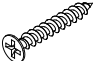
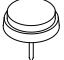
B		6pcs
C		6pcs

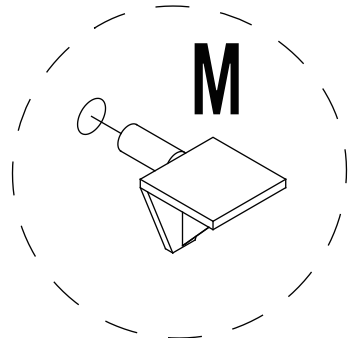
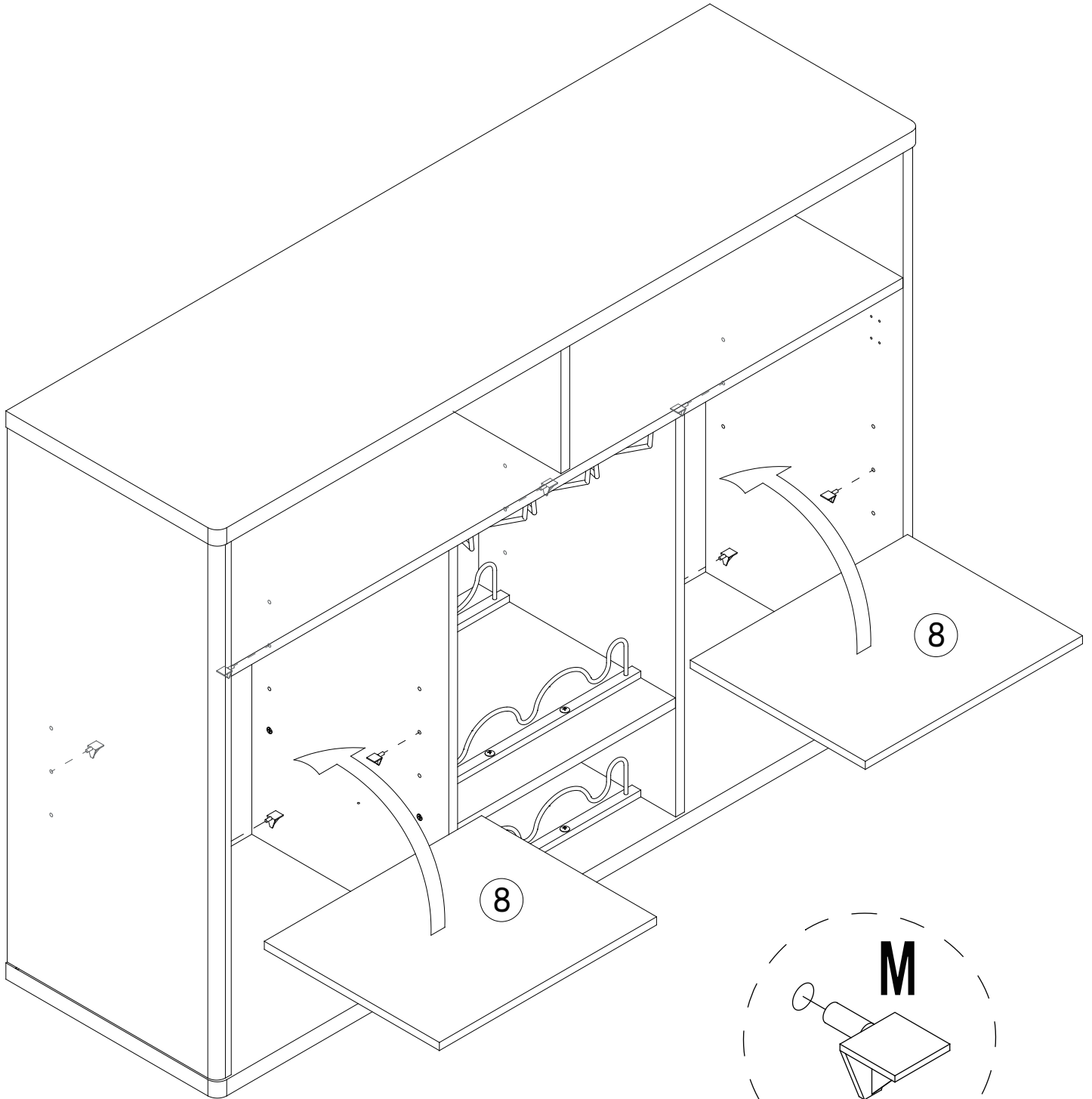
10




11

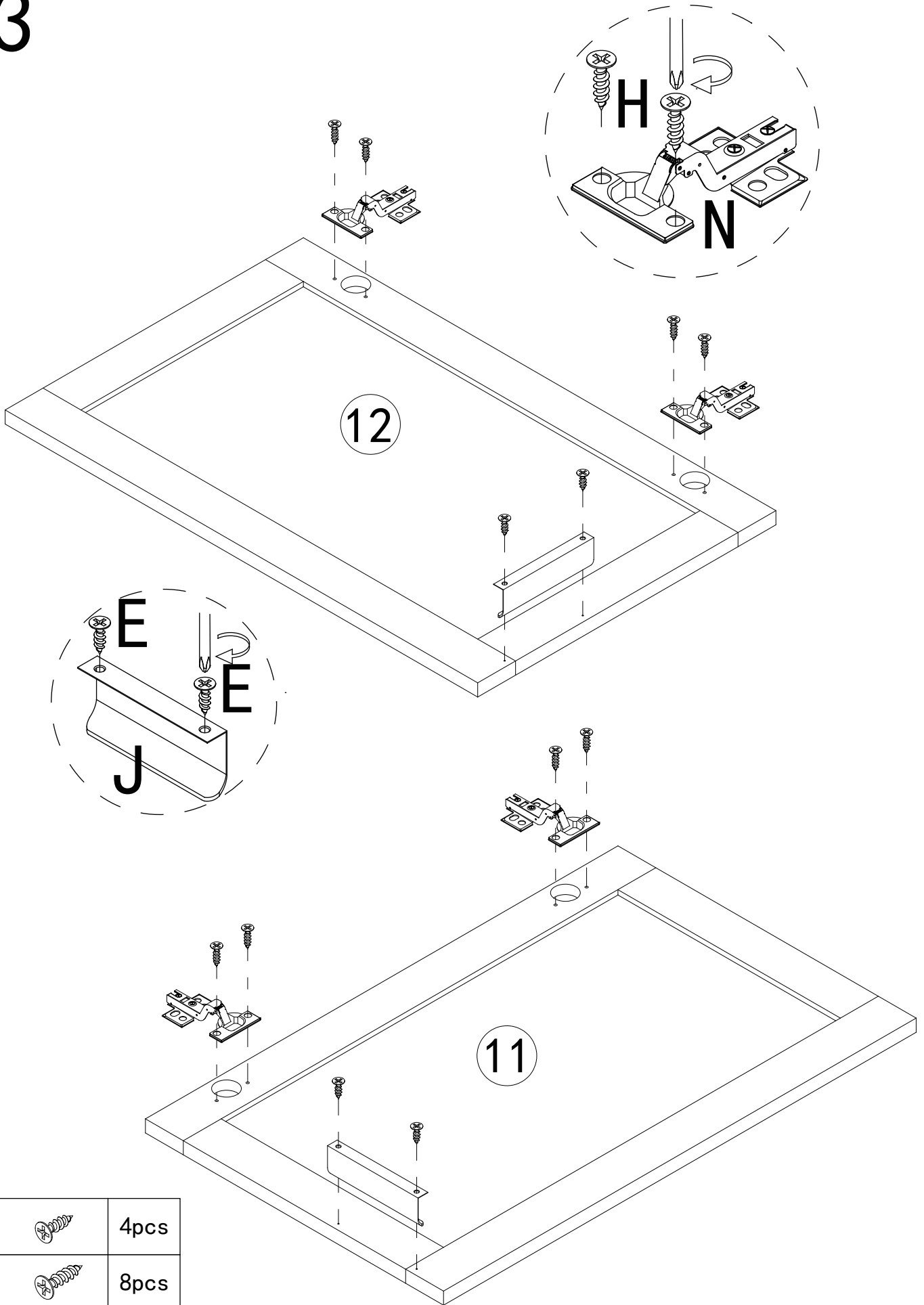




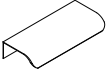

C		8pcs
G		8pcs
O		8pcs

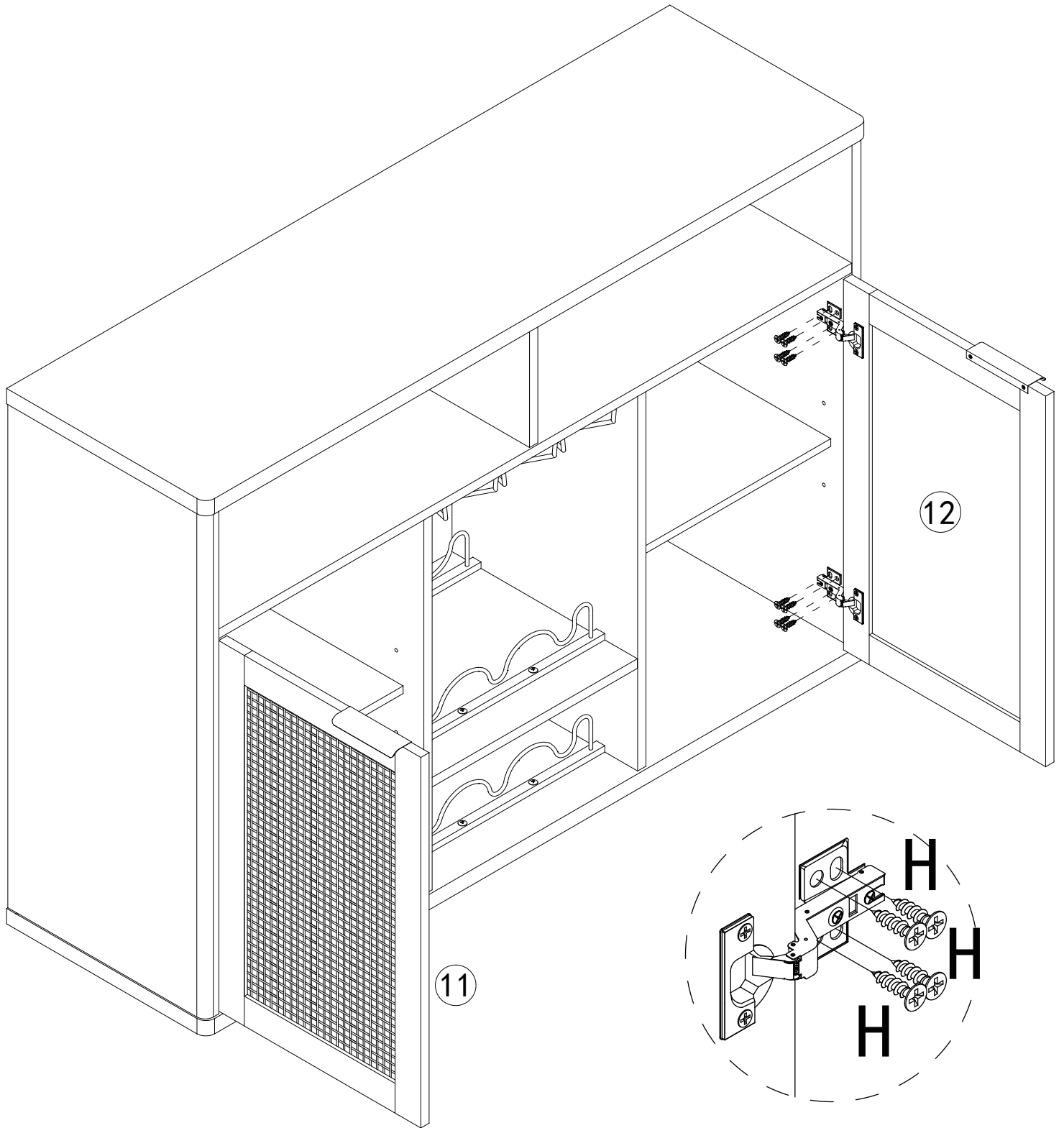



M		8pcs
---	---	------

13



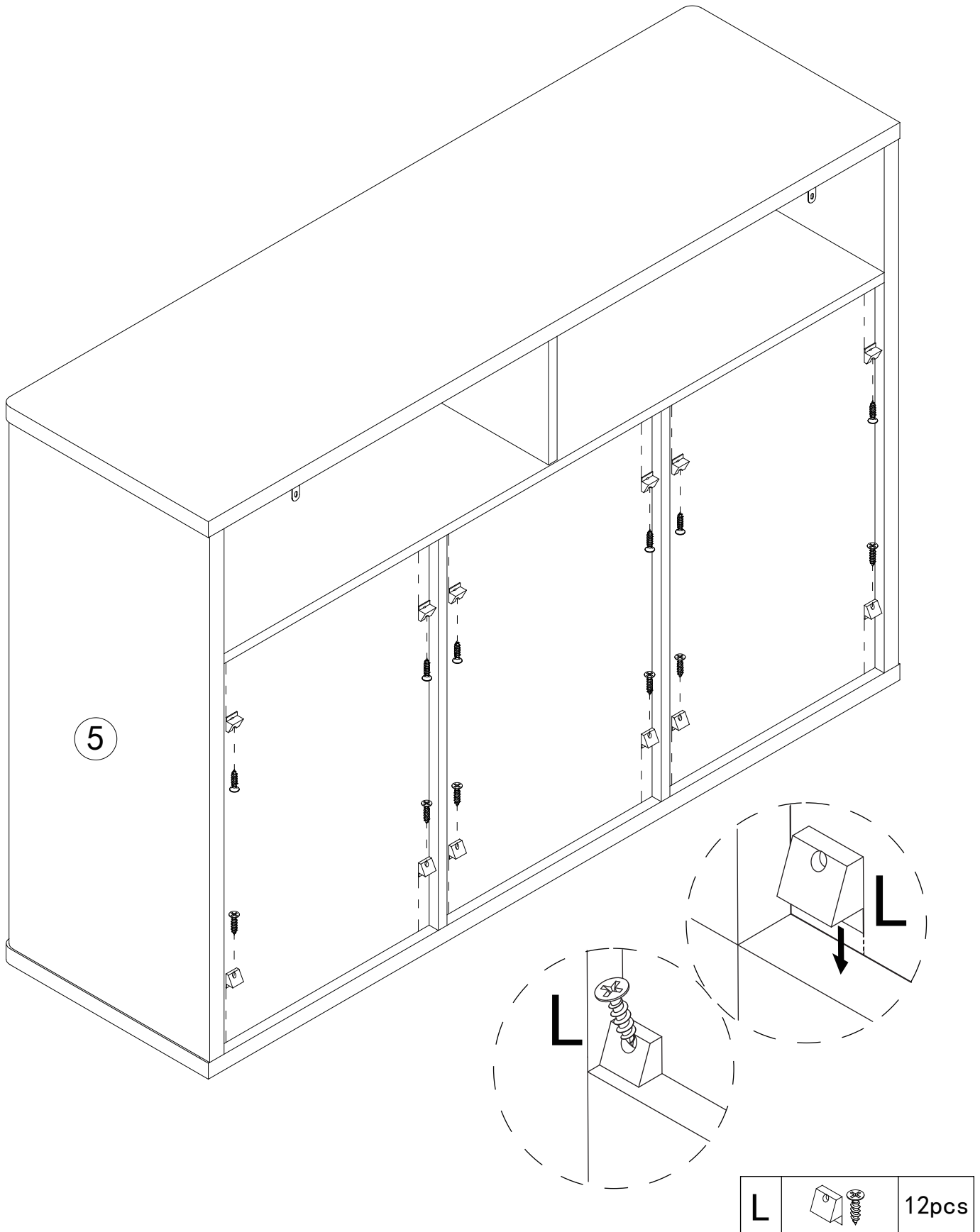
E		4pcs
H		8pcs
J		2pcs
N		4pcs



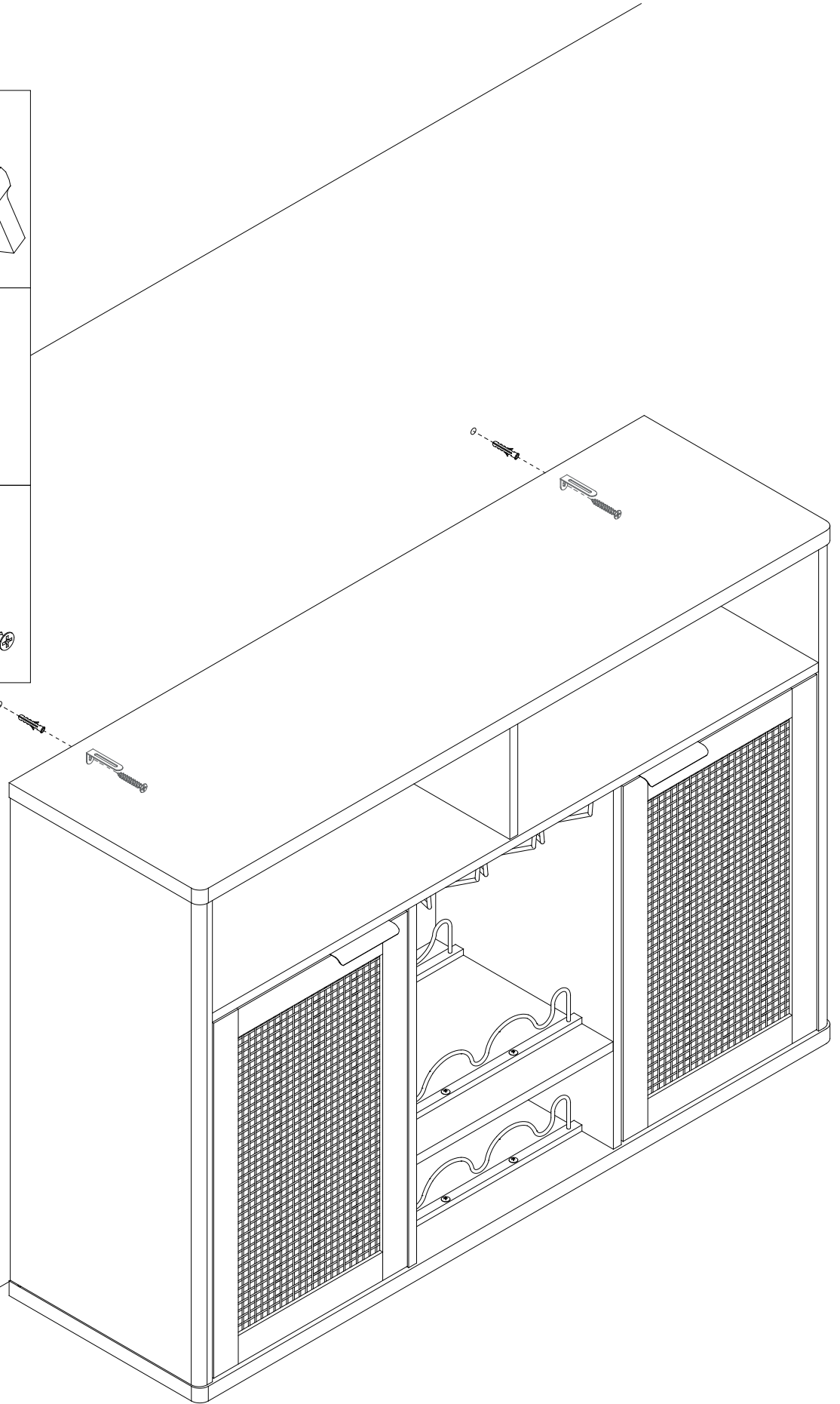
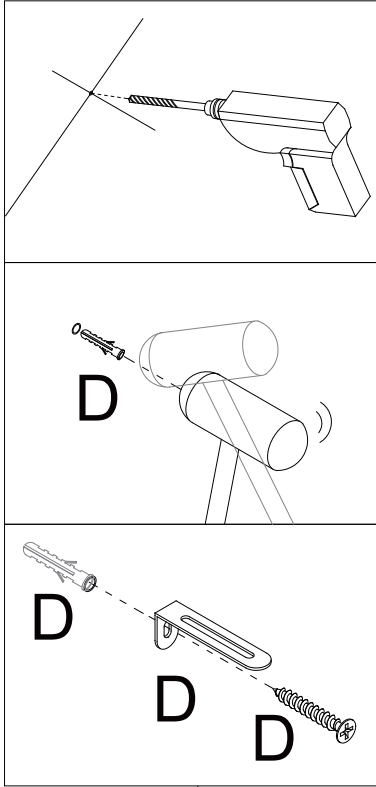
H		16pcs
---	---	-------

15


Be sure to install back plate buckle to prevent the cabinet from shaking.



16



Note: When moving the cabinet, please lift it vertically off the ground. Dragging may cause loose connectors, affecting stability and service life.

D		2pcs
---	---	------