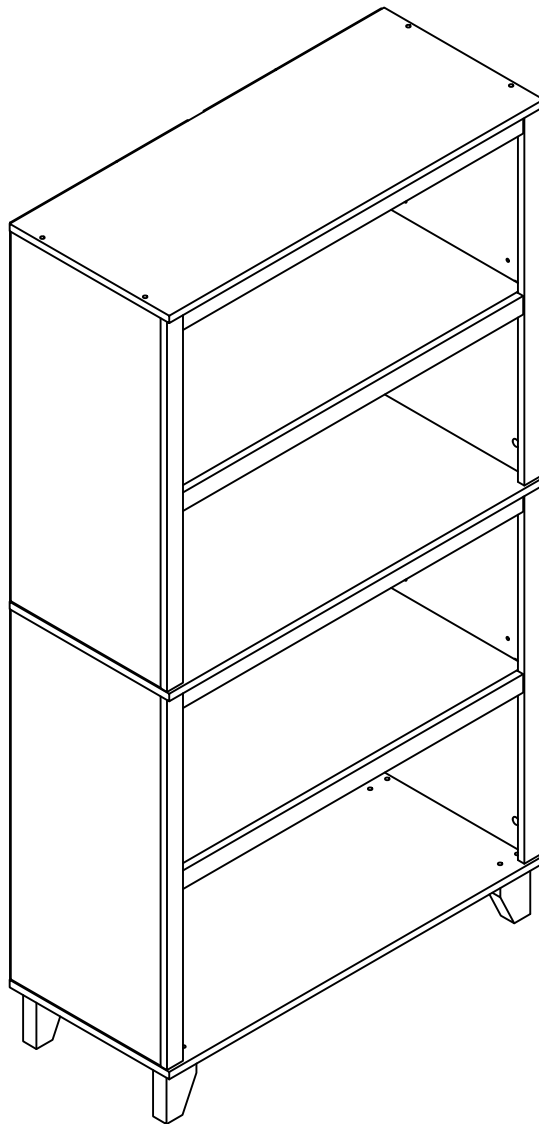


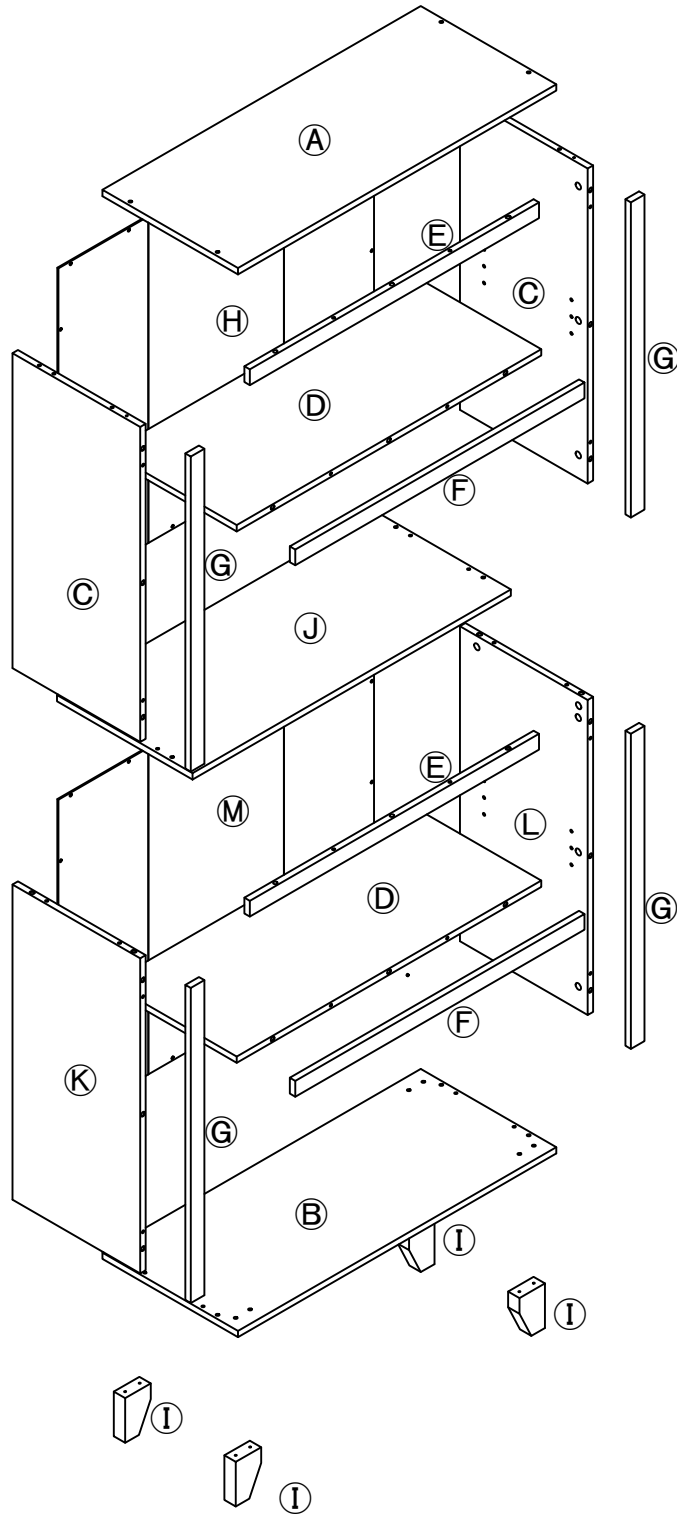
4-Tier Bookshelf INSTRUCTION



Part of the steps suggest
two people install

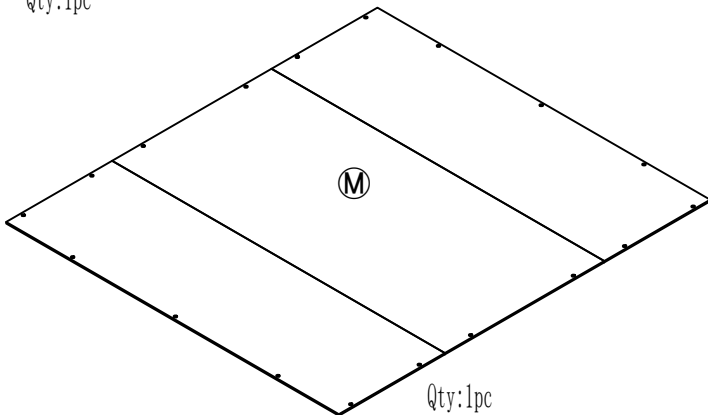
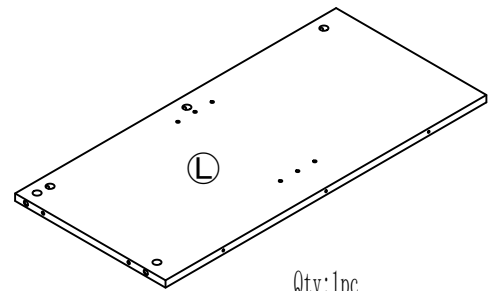
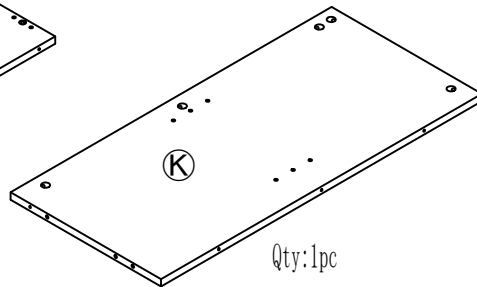
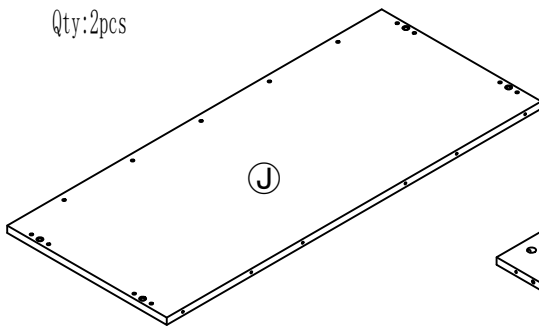
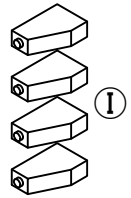
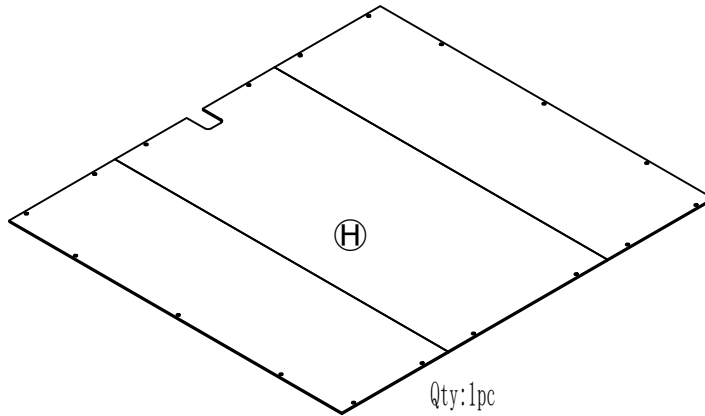
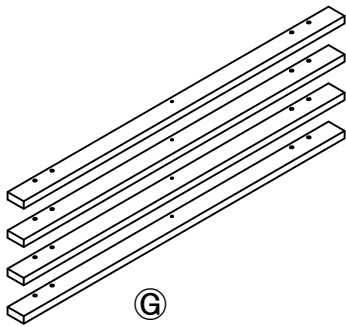
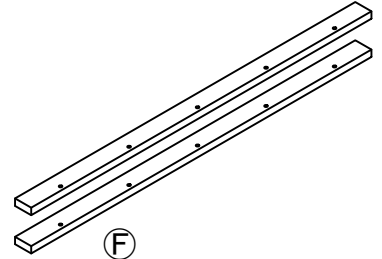
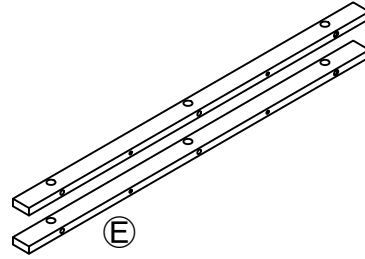
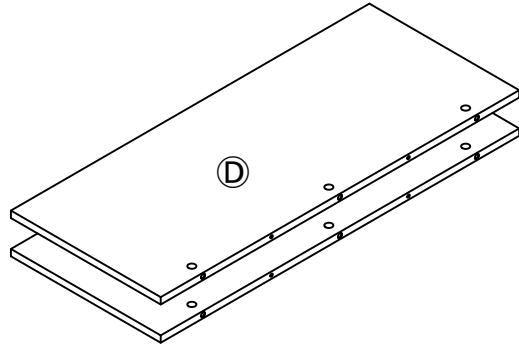
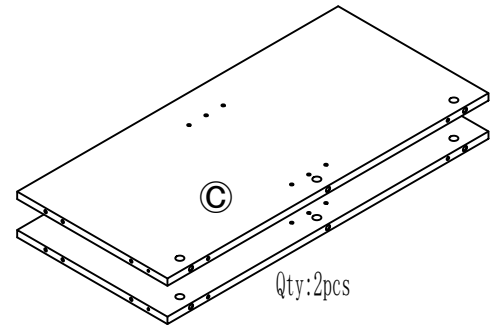
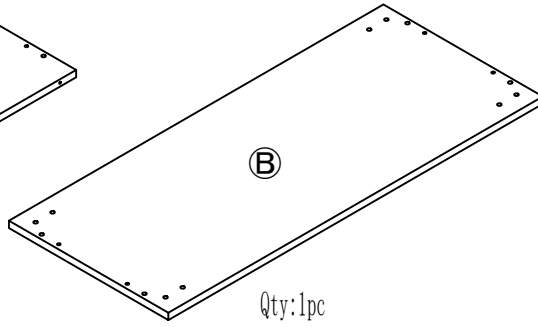
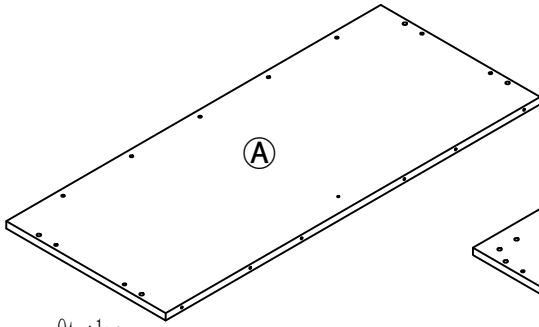
Main Components

Please check you have all the parts listed below



Component Panels & Part List

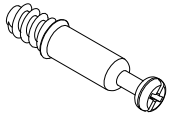
Please check you have all the panels are listed below.



Fixings, Fittings And Tools

Please check all the fittings listed below

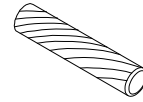
Note: The quantities below are the correct amount to complete the assembly. In some case more fittings may be supplied than be required.



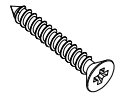
① Ø6*L27mm
28pcs



② Ø12
28pcs



③ Ø5*30mm
32pcs



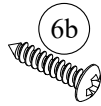
④ Ø8*Ø4*38mm
20+1pcs



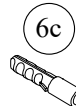
⑤ Ø7*Ø3*12mm
24+2pcs



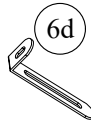
6a



6b



6c



6d



6e

⑥ 1set



⑦ Ø5*20mm
8pcs



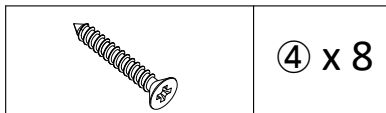
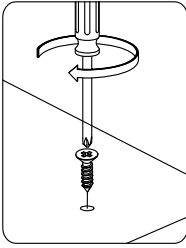
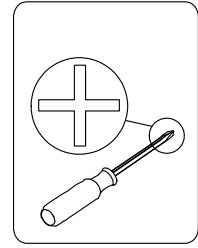
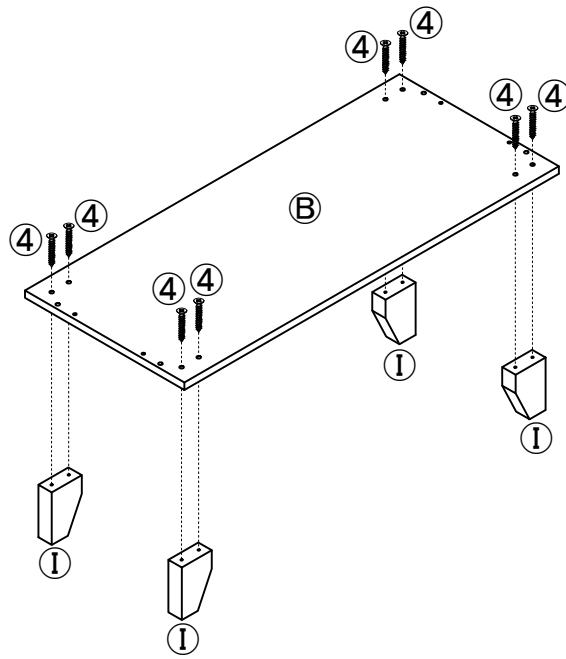
⑧ Ø12*3.9mm
12+1pcs



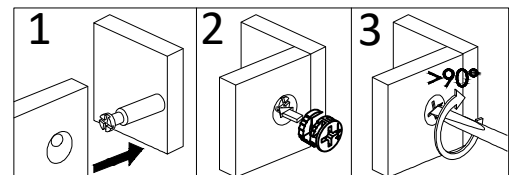
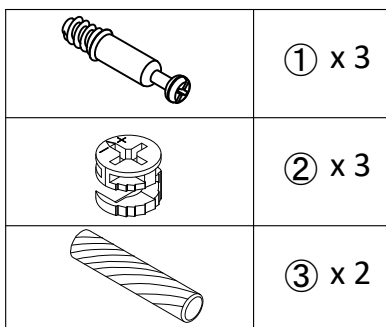
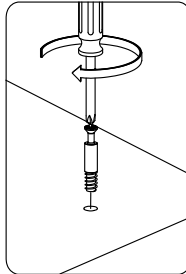
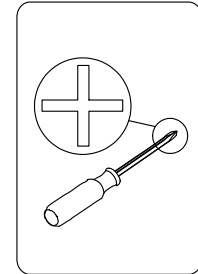
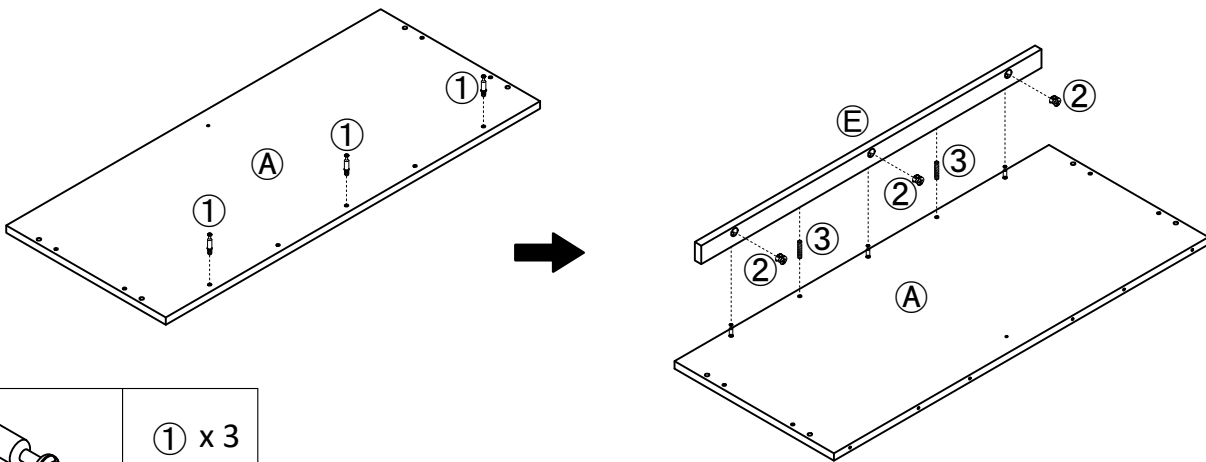
⑨ Ø6*Ø3*16mm
6pcs

Assembly Step

Step 1

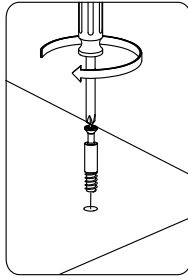
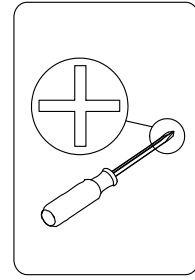
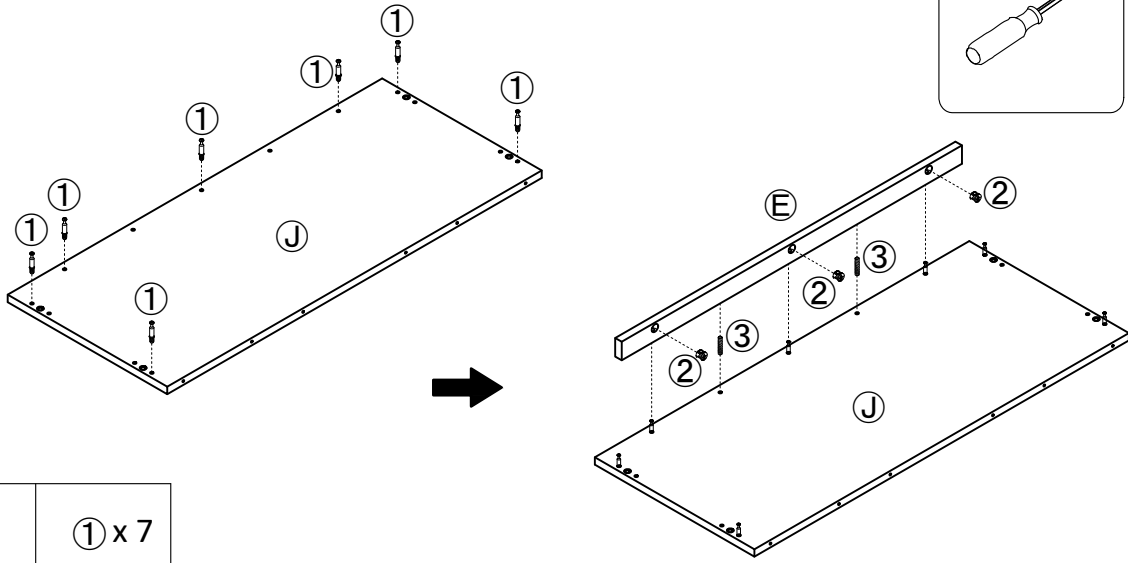


Step 2

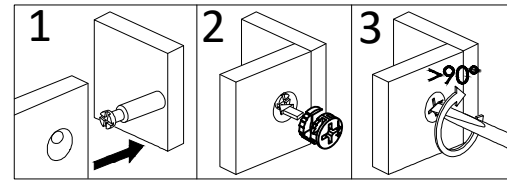


Assembly Step

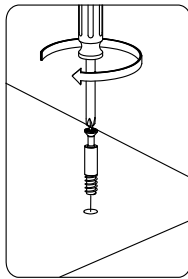
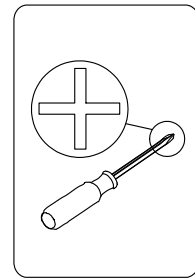
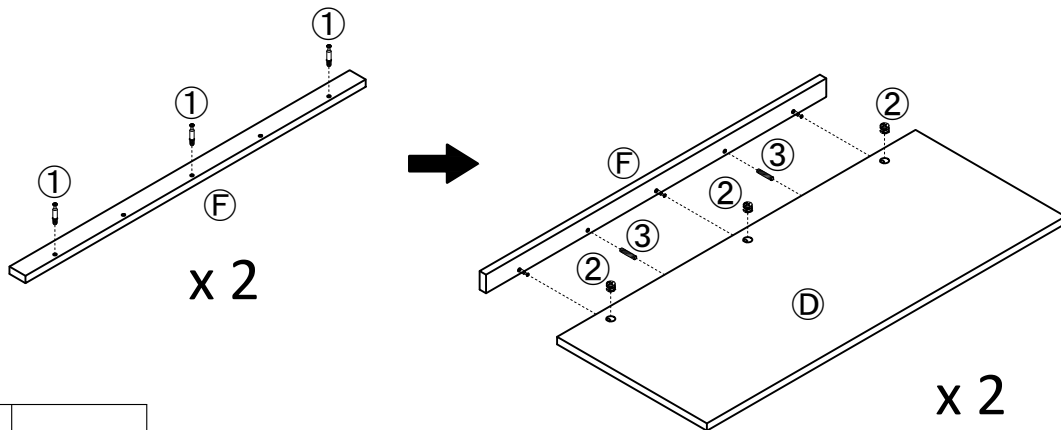
Step 3



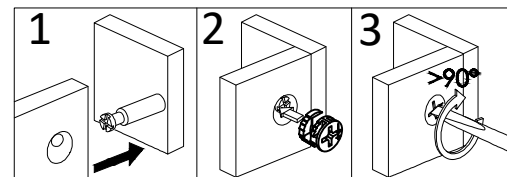
	① x 7
	② x 3
	③ x 2



Step 4

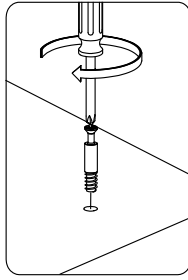
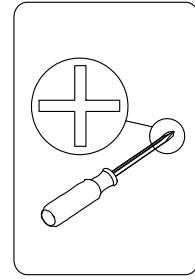
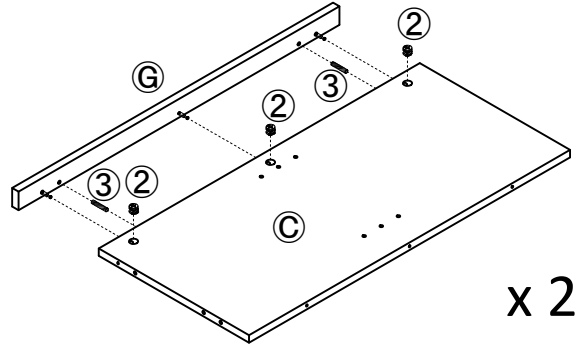
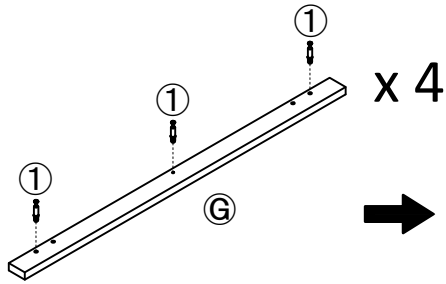


	① x 6
	② x 6
	③ x 4

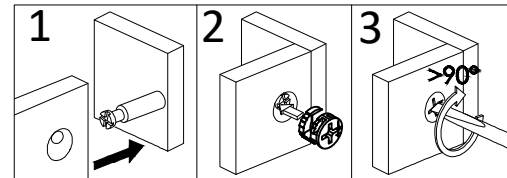


Assembly Step

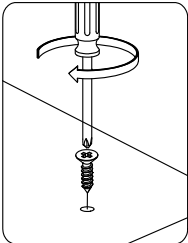
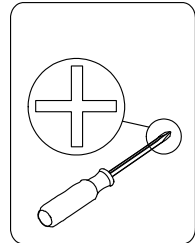
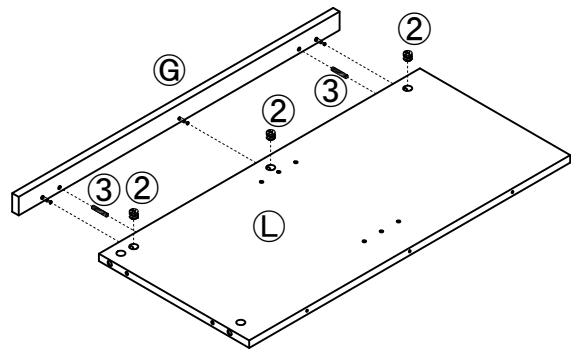
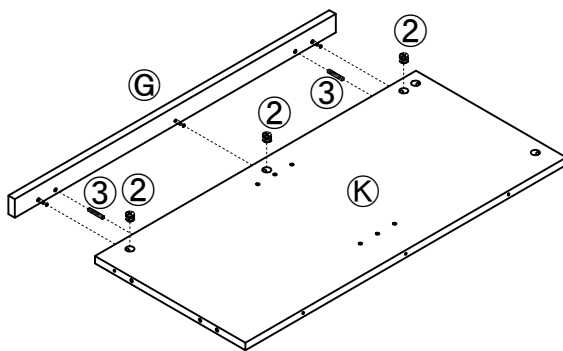
Step 5



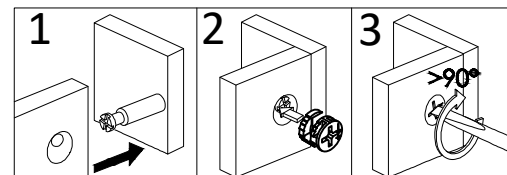
	① x 12
	② x 6
	③ x 4



Step 6

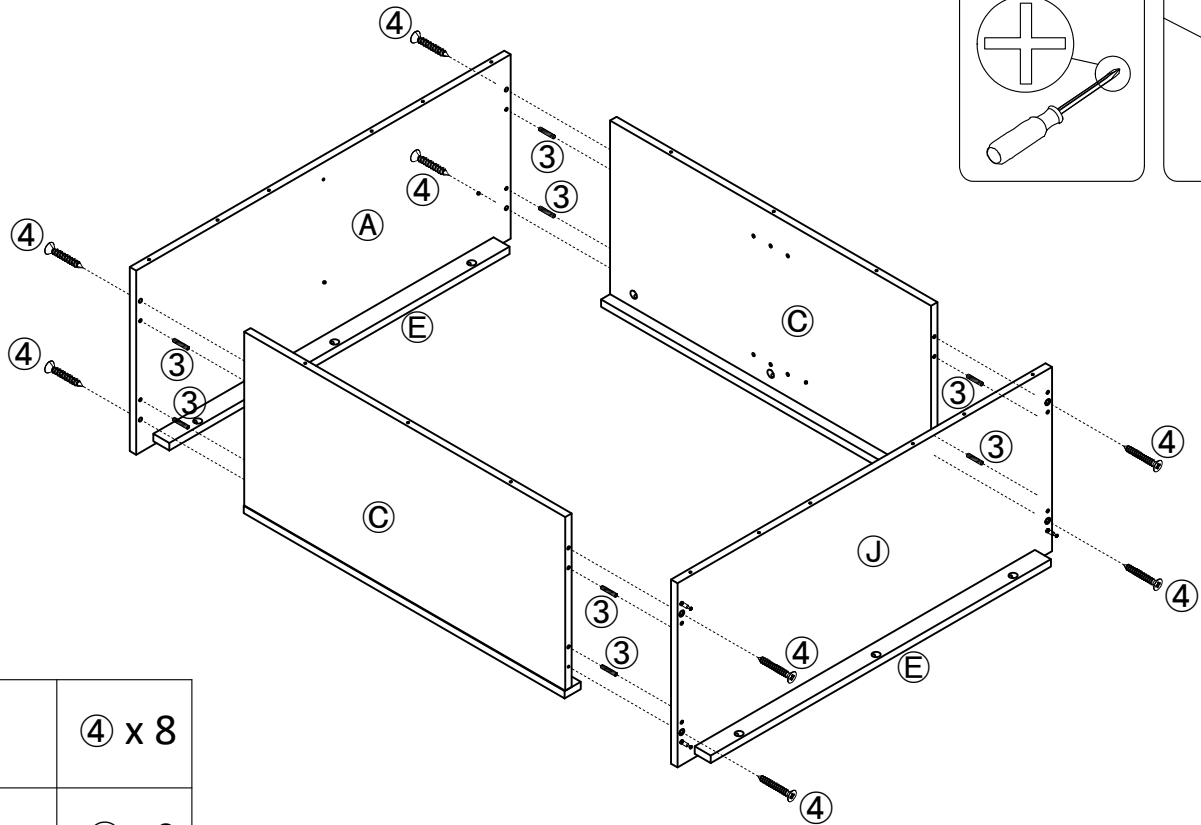


	② x 6
	③ x 4



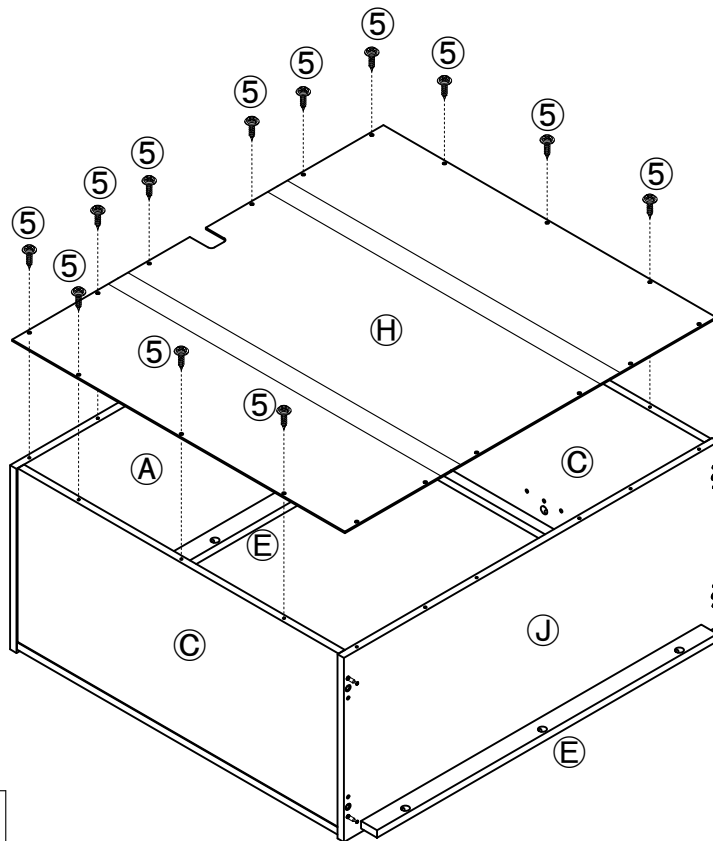
Assembly Step

Step 7



	④ x 8
	③ x 8

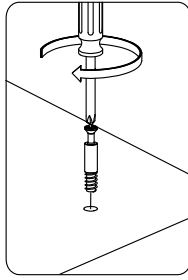
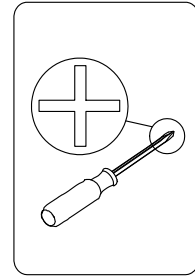
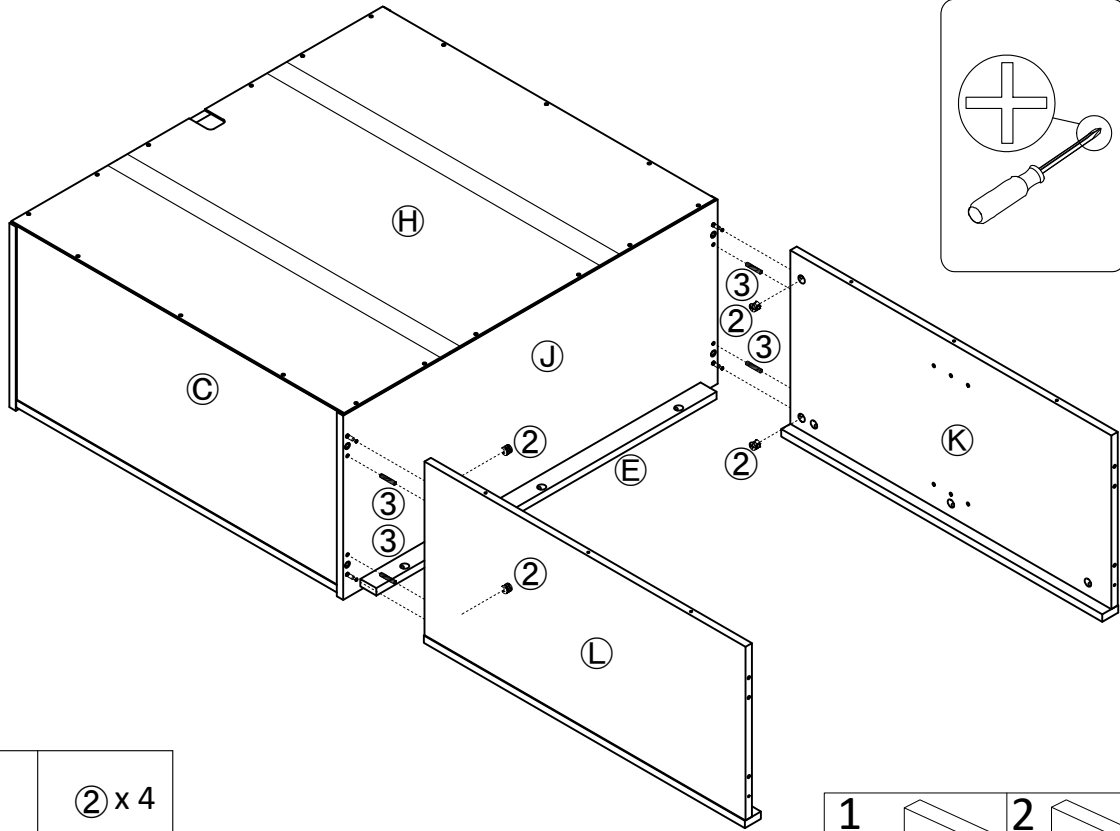
Step 8



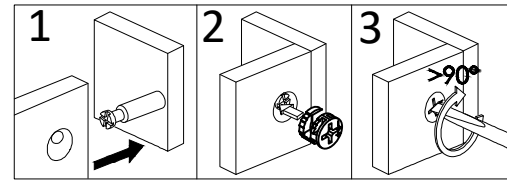
	⑤ x 12
--	--------

Assembly Step

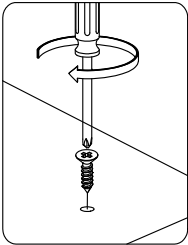
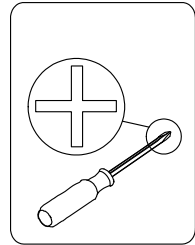
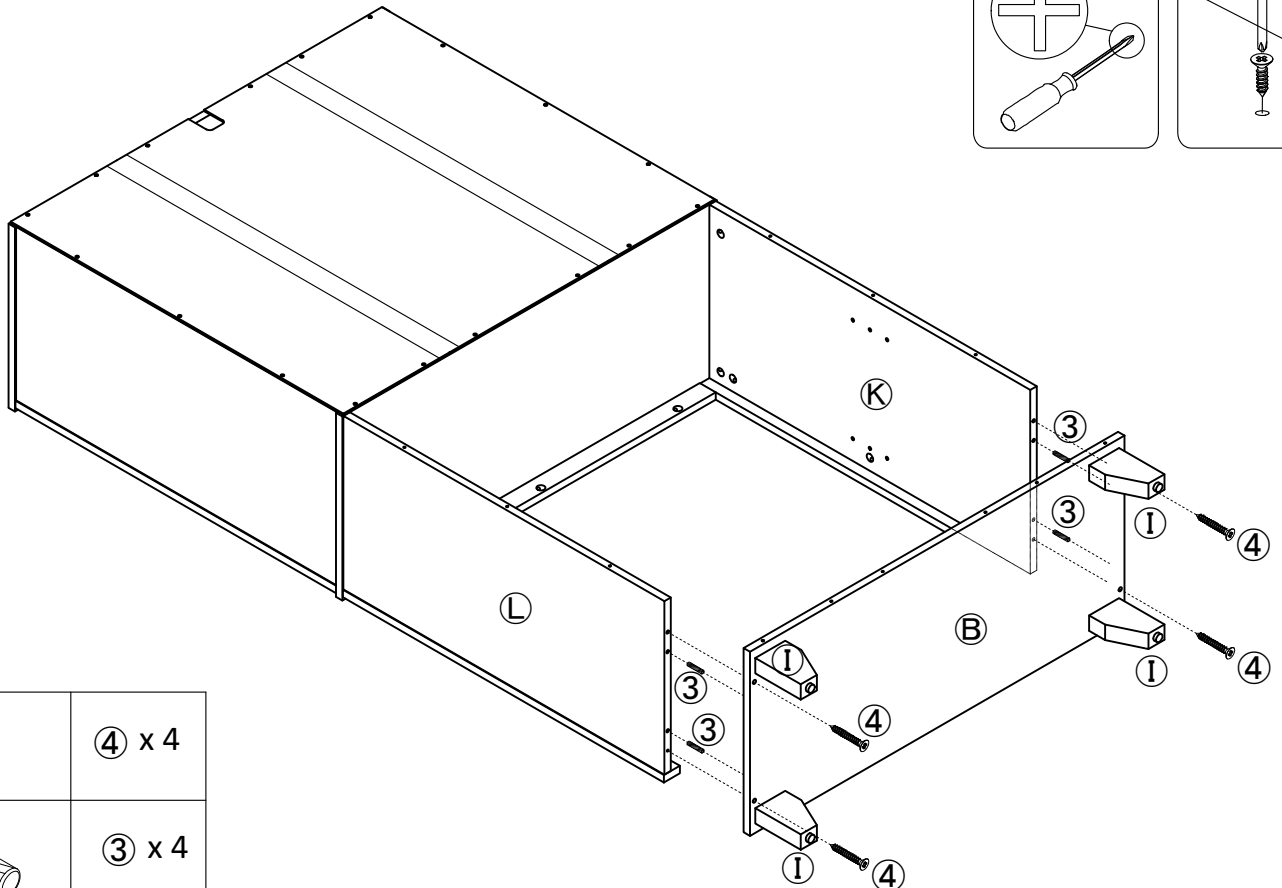
Step 9



	② x 4
	③ x 4



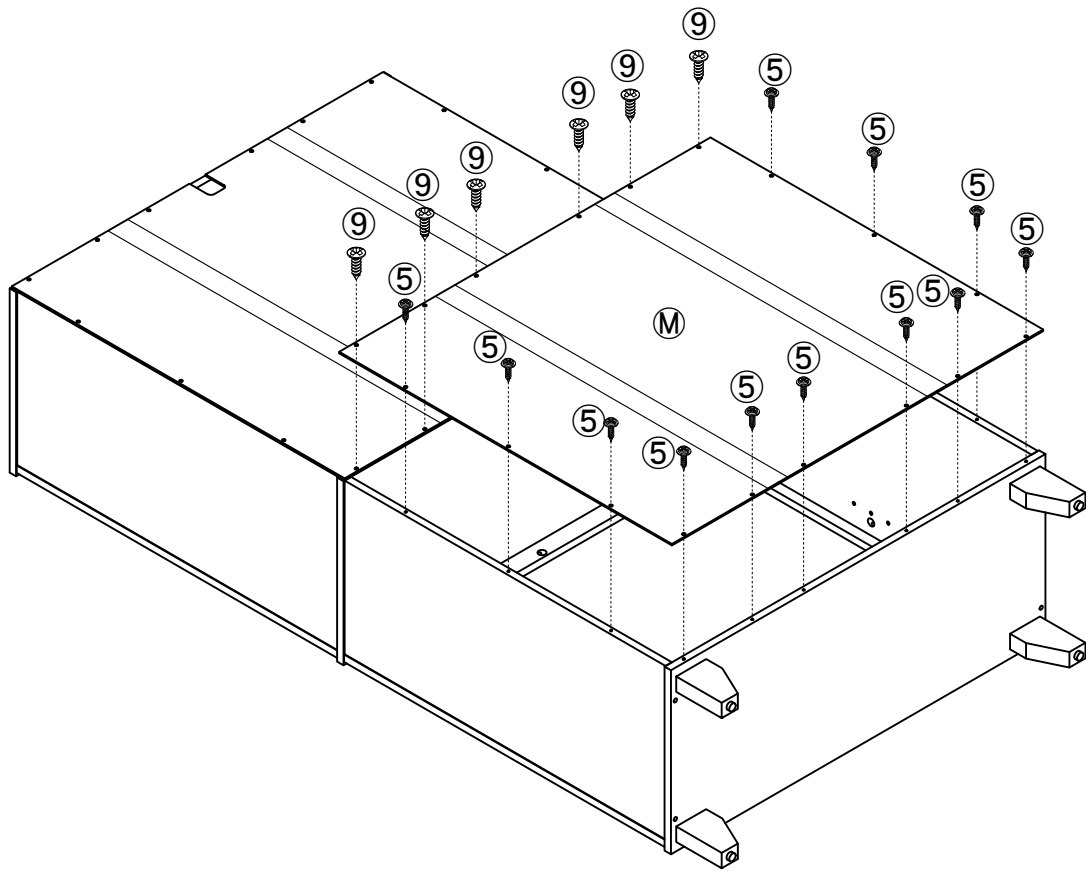
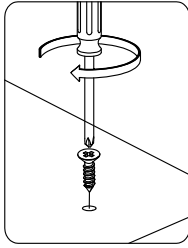
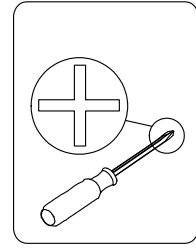
Step 10





	④ x 4
	③ x 4

Assembly Step

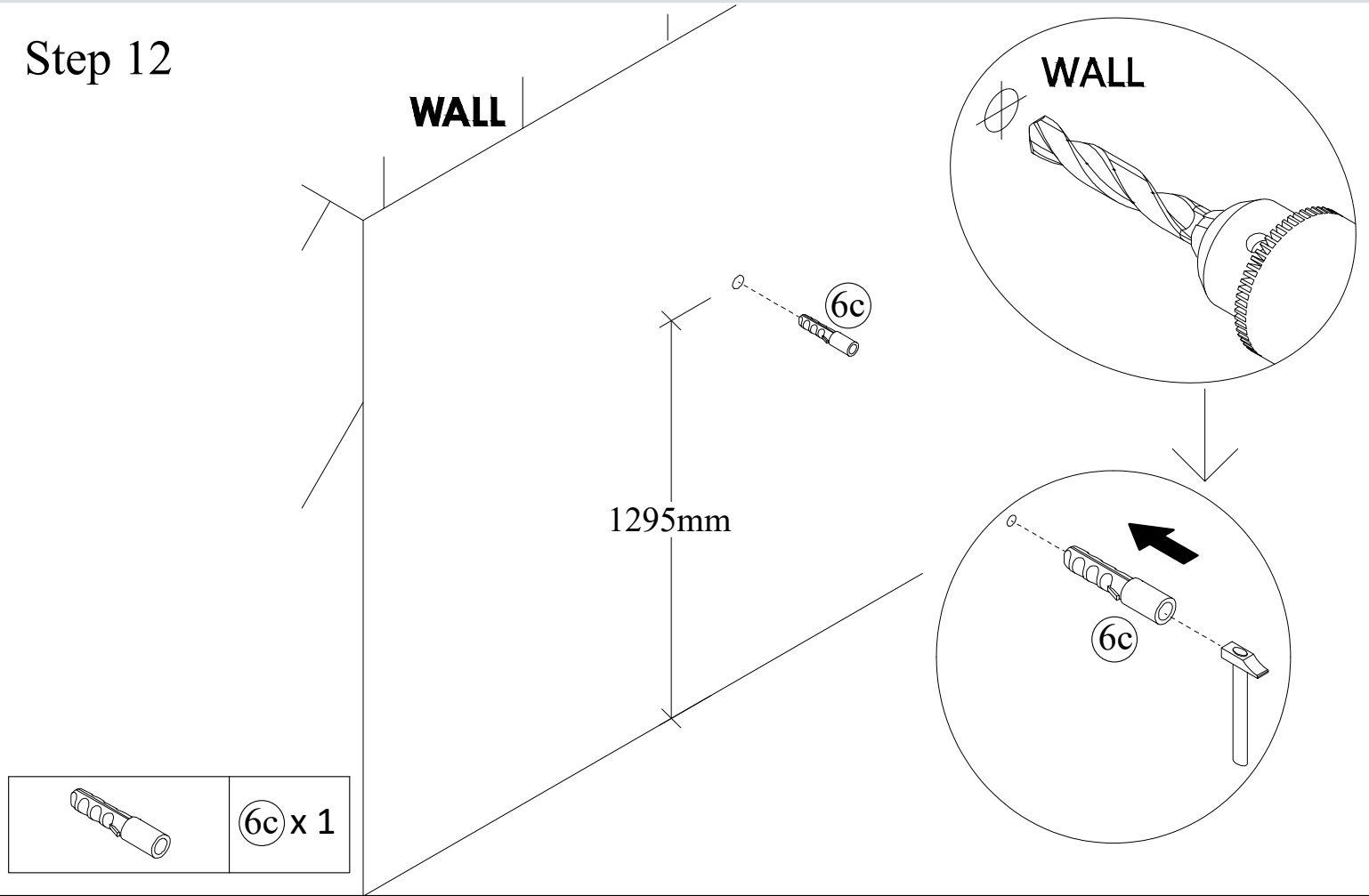
Step 11



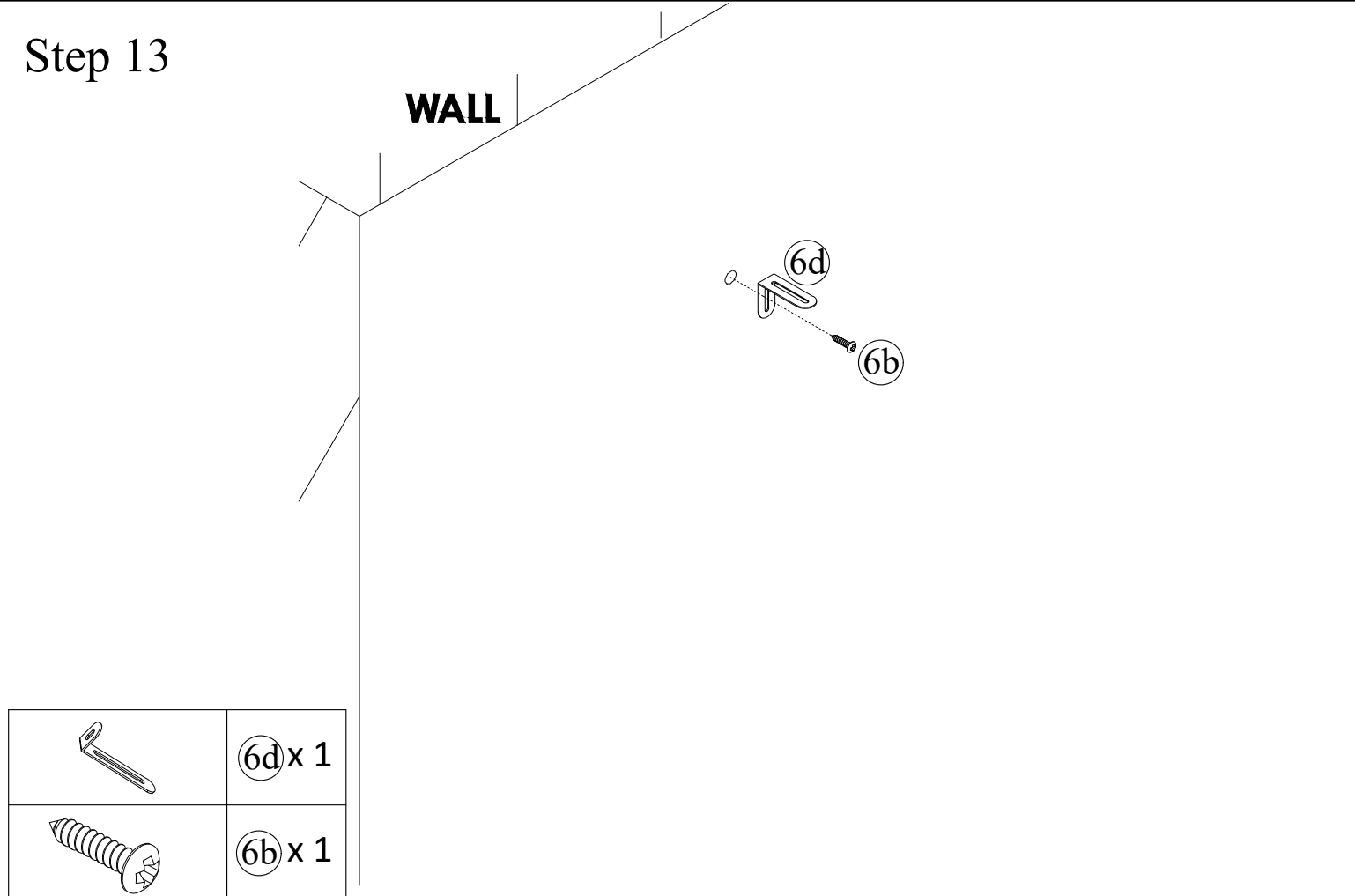
	⑤ x 12
	⑨ x 6

Assembly Step

Step 12

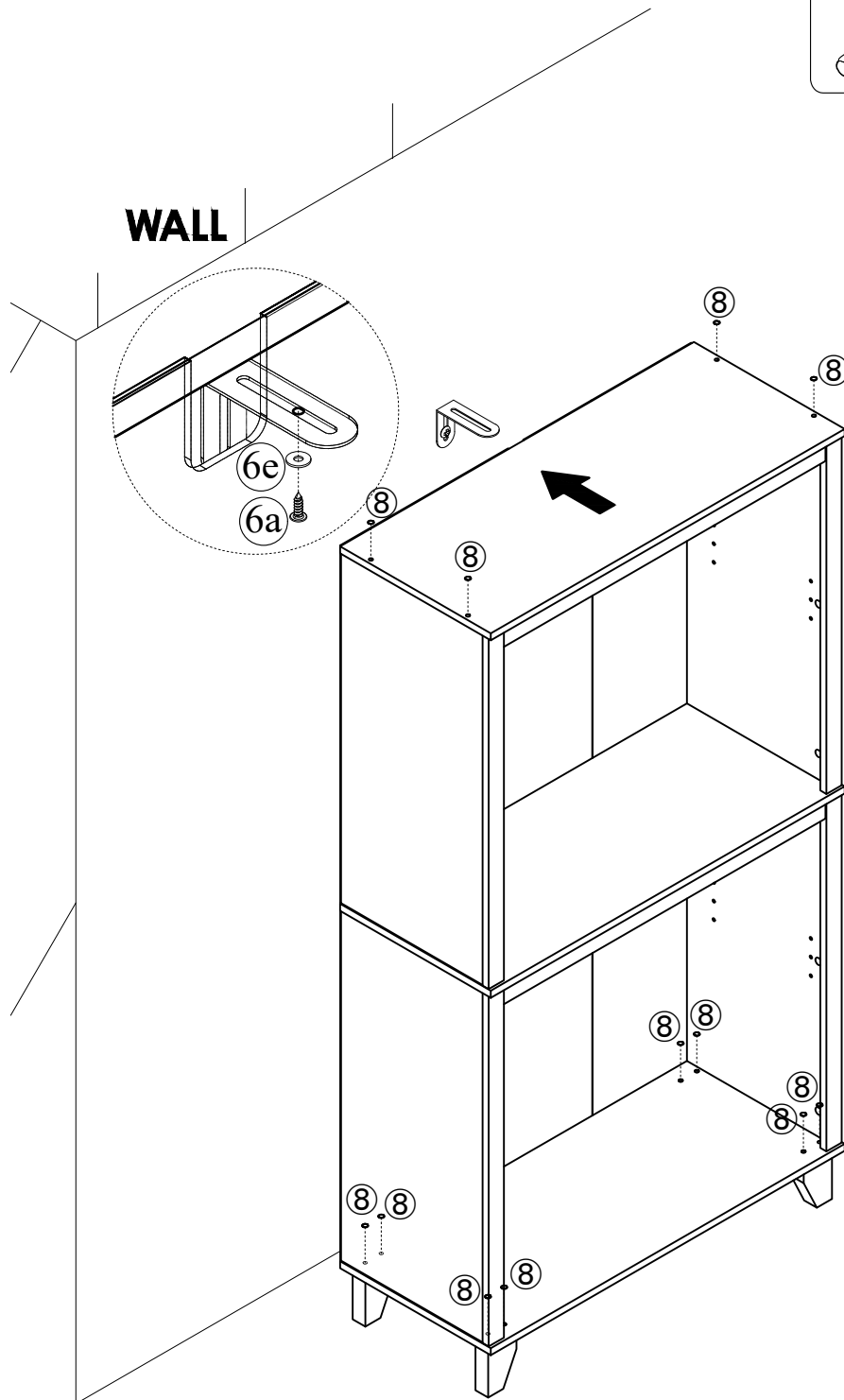
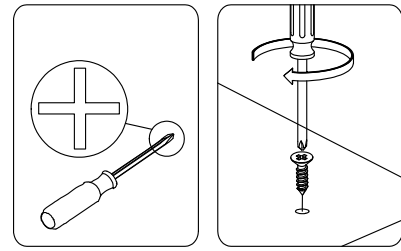





Step 13



Assembly Step

Step 14



	⑧ x 12
	⑥e x 1
	⑥a x 1

Assembly Step

Step 15

