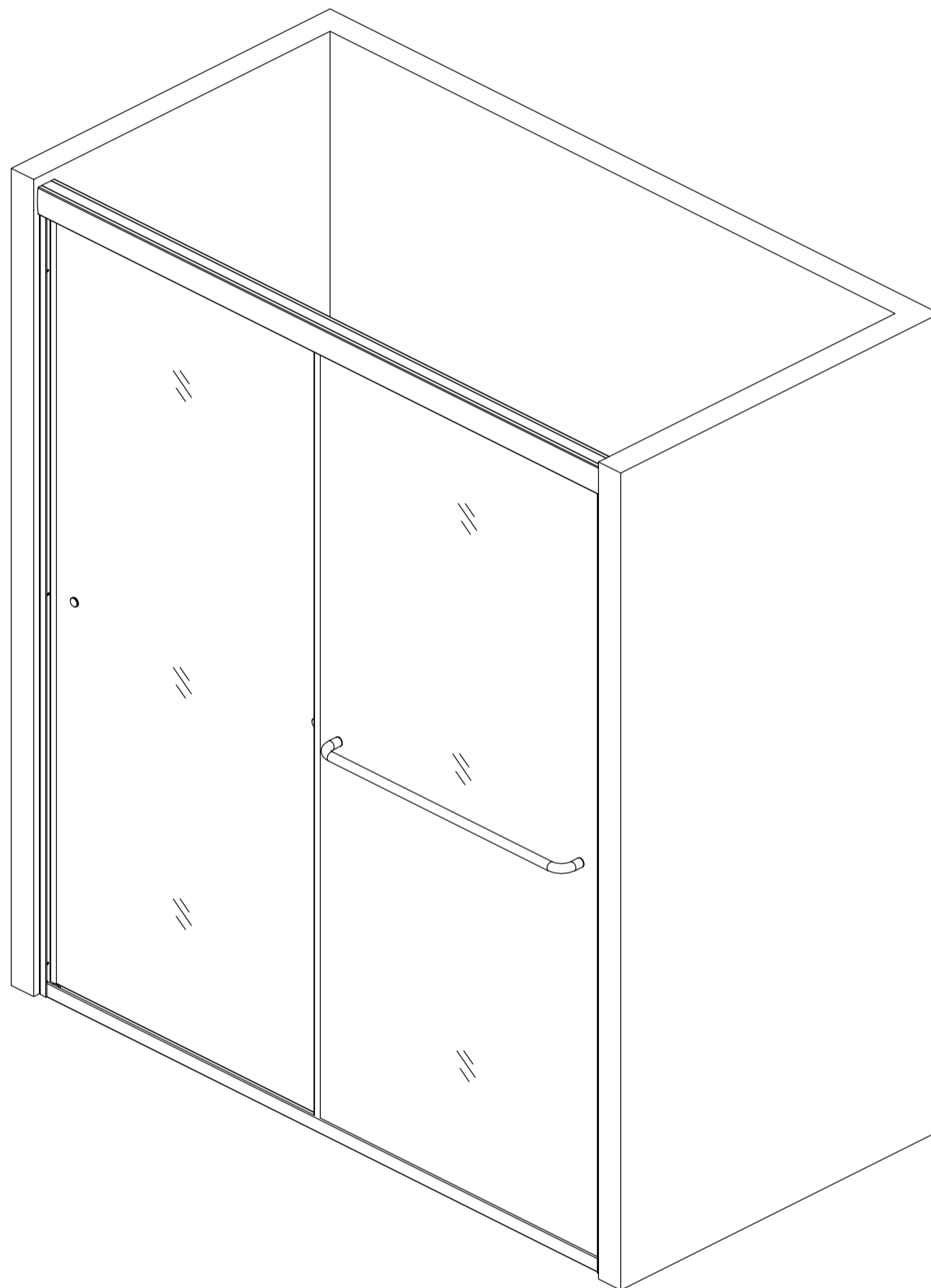


Shower Door Installation Instructions



Model Specific Preparation

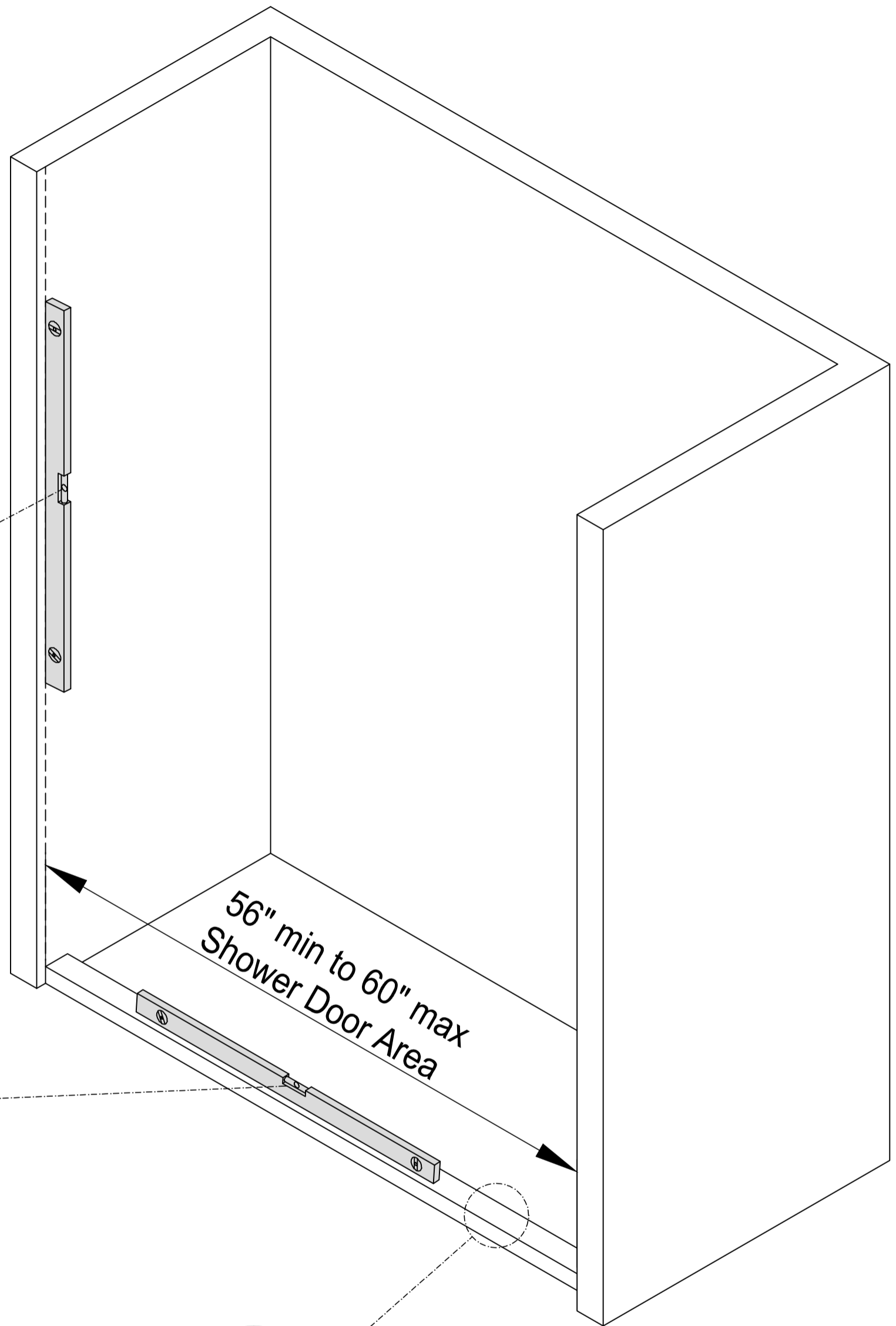
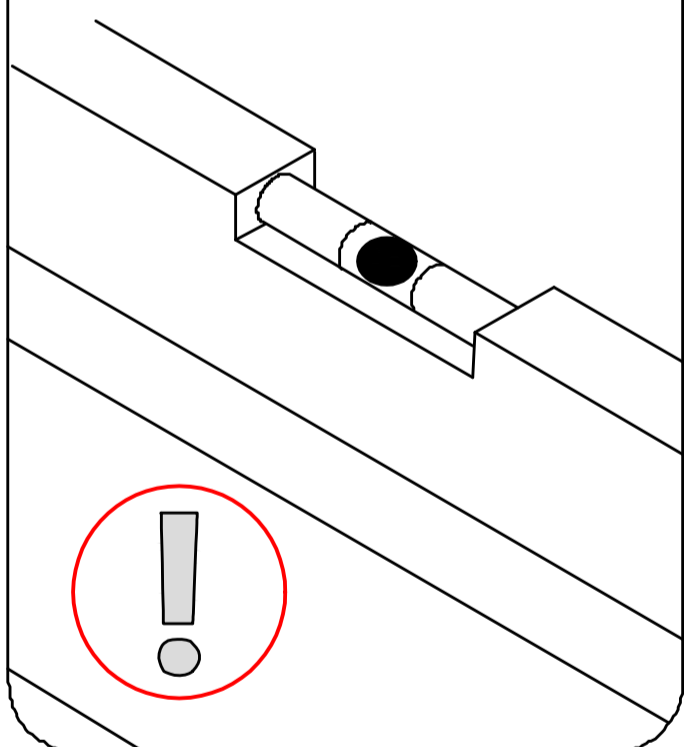


REQUIRED:

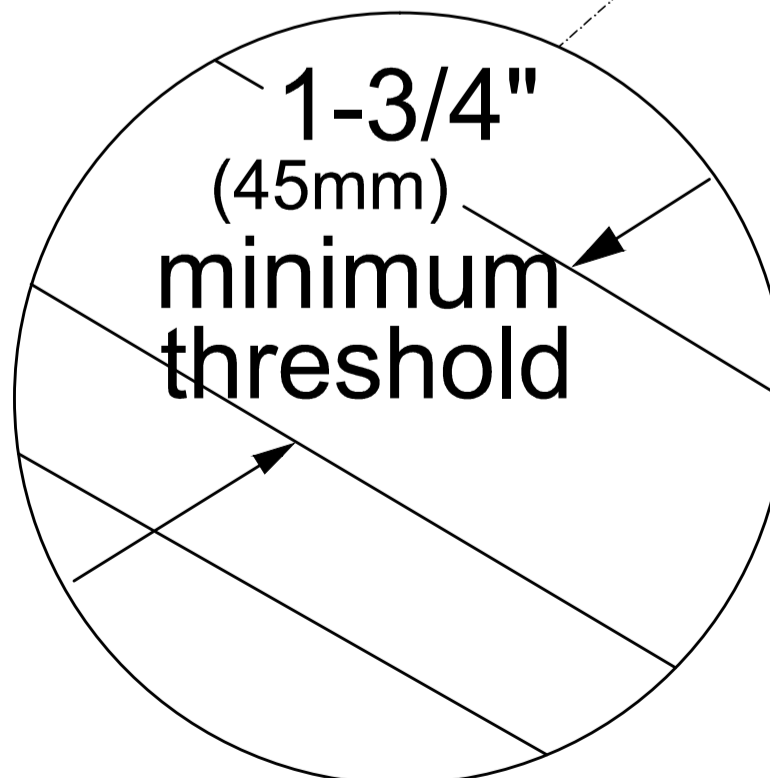
Verify threshold and wall with a level.

1/4" (6mm)
Out-of-Plumb
Adjustment within
the Wall Profile.

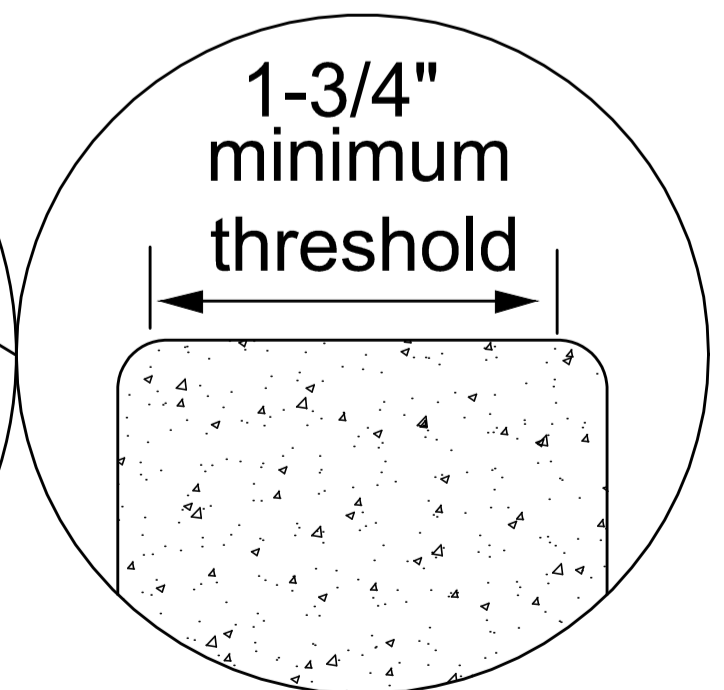
Threshold must be level.



56" min to 60" max
Shower Door Area

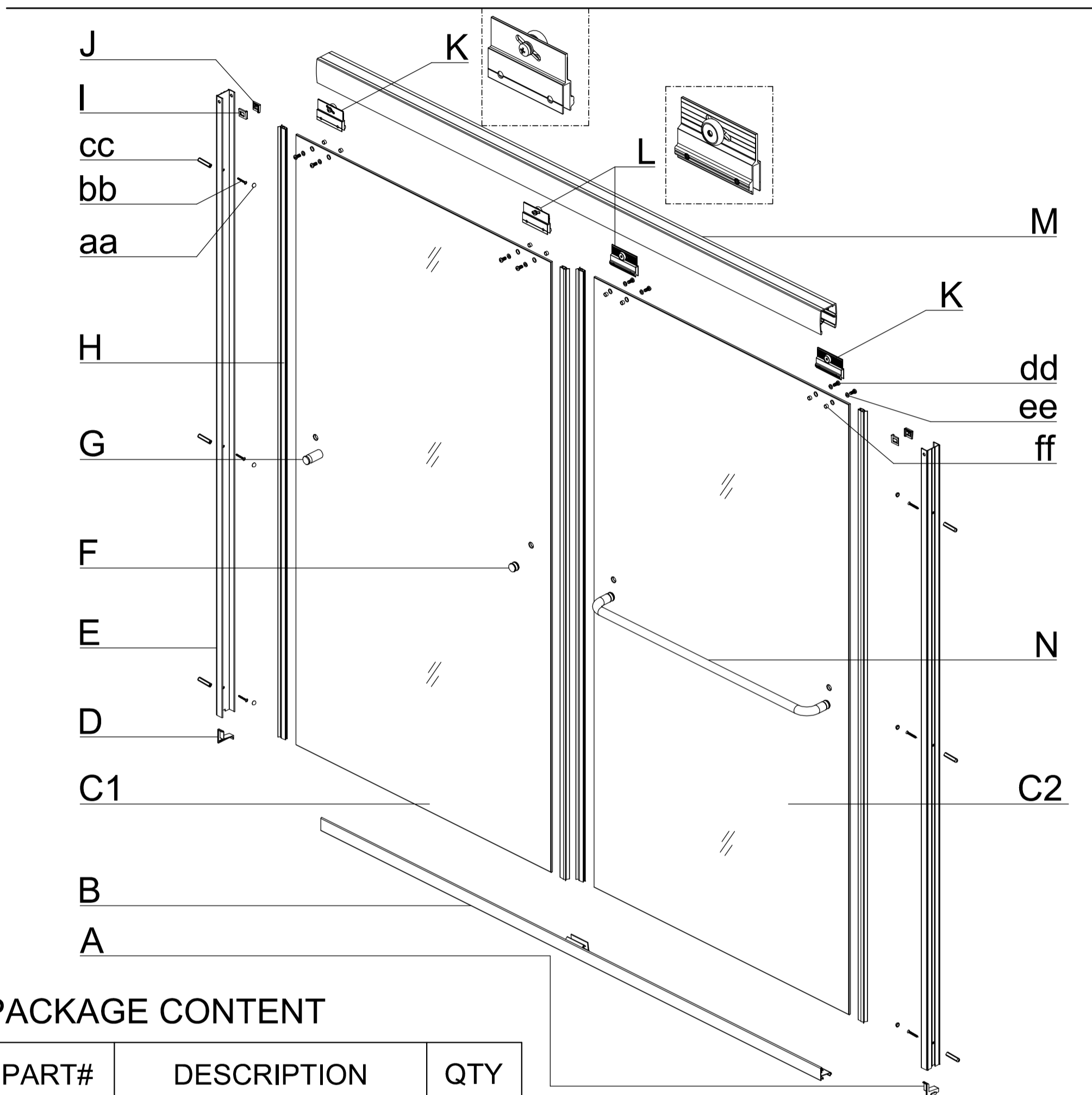


1-3/4"
(45mm)
minimum
threshold



1-3/4"
minimum
threshold

PACKAGE CONTENT



PACKAGE CONTENT

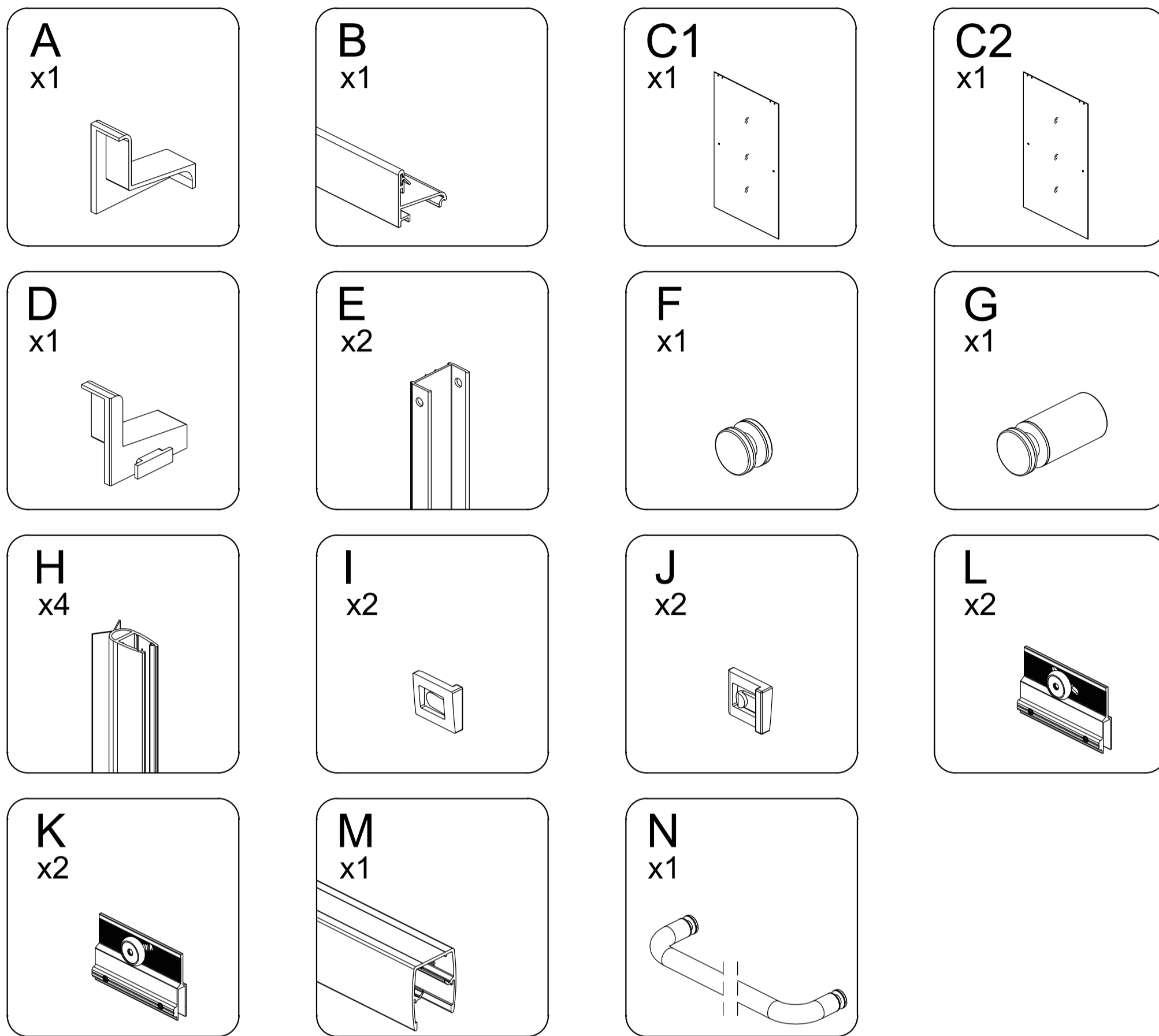
PART#	DESCRIPTION	QTY
A	Bottom threshold cap (R)	1
B	Bottom Rail	1
C1	Inside Door panel	1
C2	Outside Door panel	1
D	Bottom threshold cap (L)	1
E	Wall Jamb	2
F	Knob A	1
G	Knob B	1

PART#	DESCRIPTION	QTY
H	PVC seal	4
I	Upper guide rail lock (L)	2
J	Upper guide rail lock (R)	2
K	Roller set (L)	2
L	Roller set (R)	2
M	Upper Guide Rail	1
N	Towel Bar	1

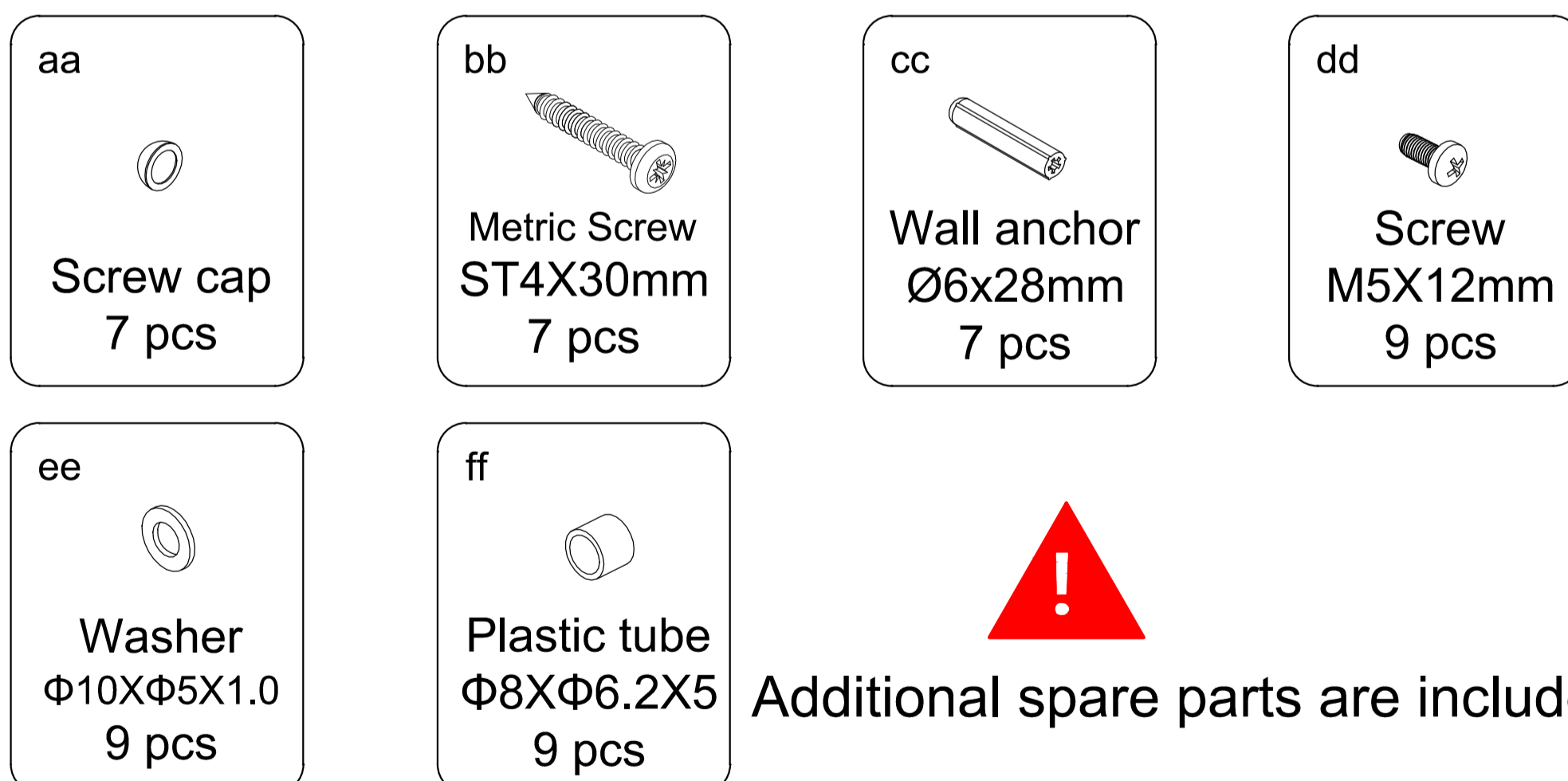
NOTE

Inspect all parts for missing prior to installation!
Contact us for any part missing.

PACKAGE CONTENT



HARDWARE CONTENT

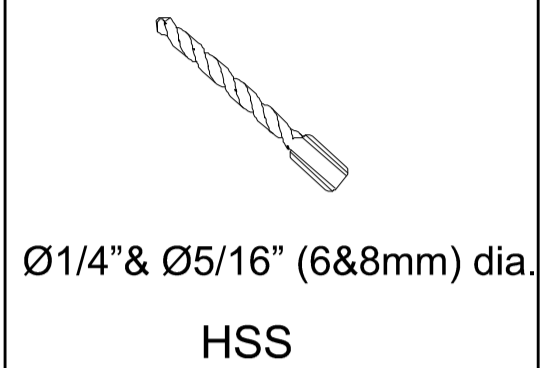


NOTE

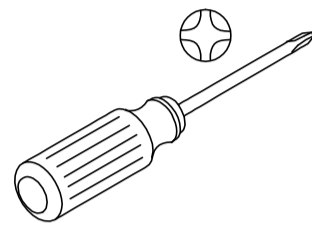
Inspect all parts for missing prior to installation!
Contact us for any part missing.

TOOLS REQUIRED

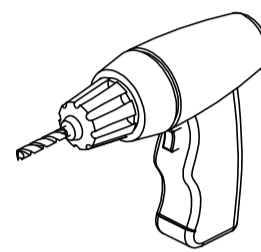
Drill Bits



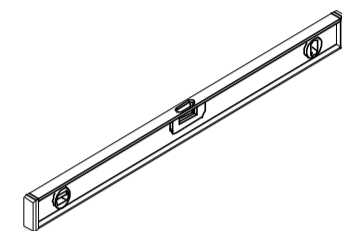
Screw Driver



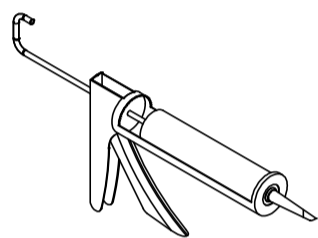
Drill



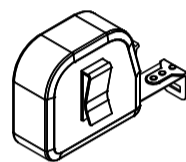
Level



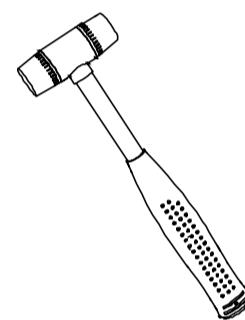
Silicone



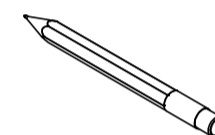
Measuring Tape



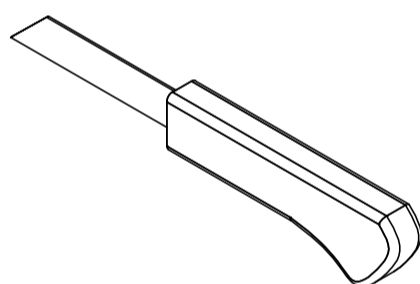
Soft Head Hammer



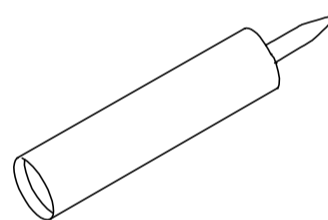
Pencil



Knife



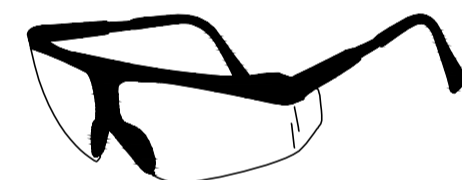
Sealant



MASONRY DRILL BIT FOR TILE
Ø6mm



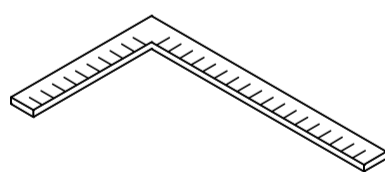
Safety Glasses



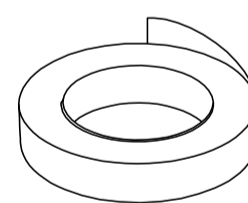
Glove



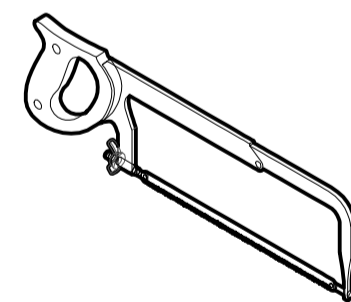
Carpenter's Squarer



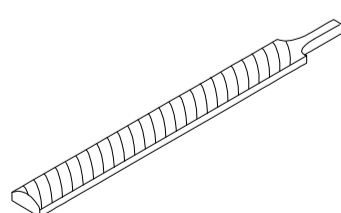
Masking or painter's tape



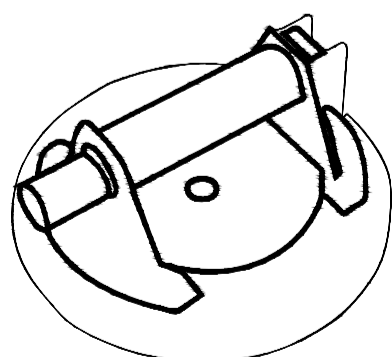
Hack Saw



Metal File



Glass suction



SAFETY INFORMATION

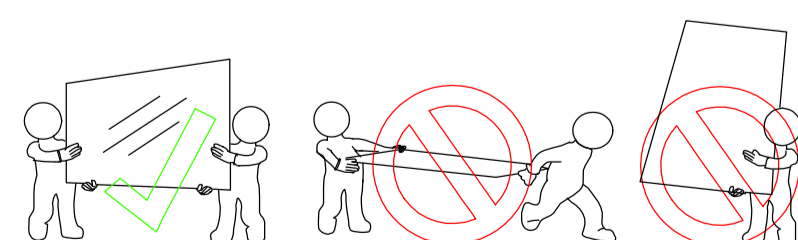
CAUTION

Please carefully read the following important safety information before handling or installing this shower. There is a risk of serious injury while handling this product.

To minimize these risks, please note:

- Always wear safety glasses and gloves while handling.
- Always follow the installation instructions.
- Inspect glass for damage before installation.
- Extreme caution should be taken while handling the glass during installation as the tempered glass may shatter if in contact with a hard surface.
- Do not cut or modify the tempered glass as it will shatter if cut.
- Carefully remove product from packaging and keep packaging until installation is complete.
- Inspect all parts for damage or missing; if there is damage or part missing to the unit prior to installation, please contact customer service at the number provided in this guide.
- Cover the drain with tape to prevent the loss of small parts.
- The shower base and finished walls should be installed before beginning the shower door installation.
- During the installation, protect the shower floor with a drop cloth to avoid damage.
- This product should be installed by two people who are familiar with construction requirements. Professional installation is recommended!
- Keep this installation manual for future reference.

NOTE: Two people should perform this installation.

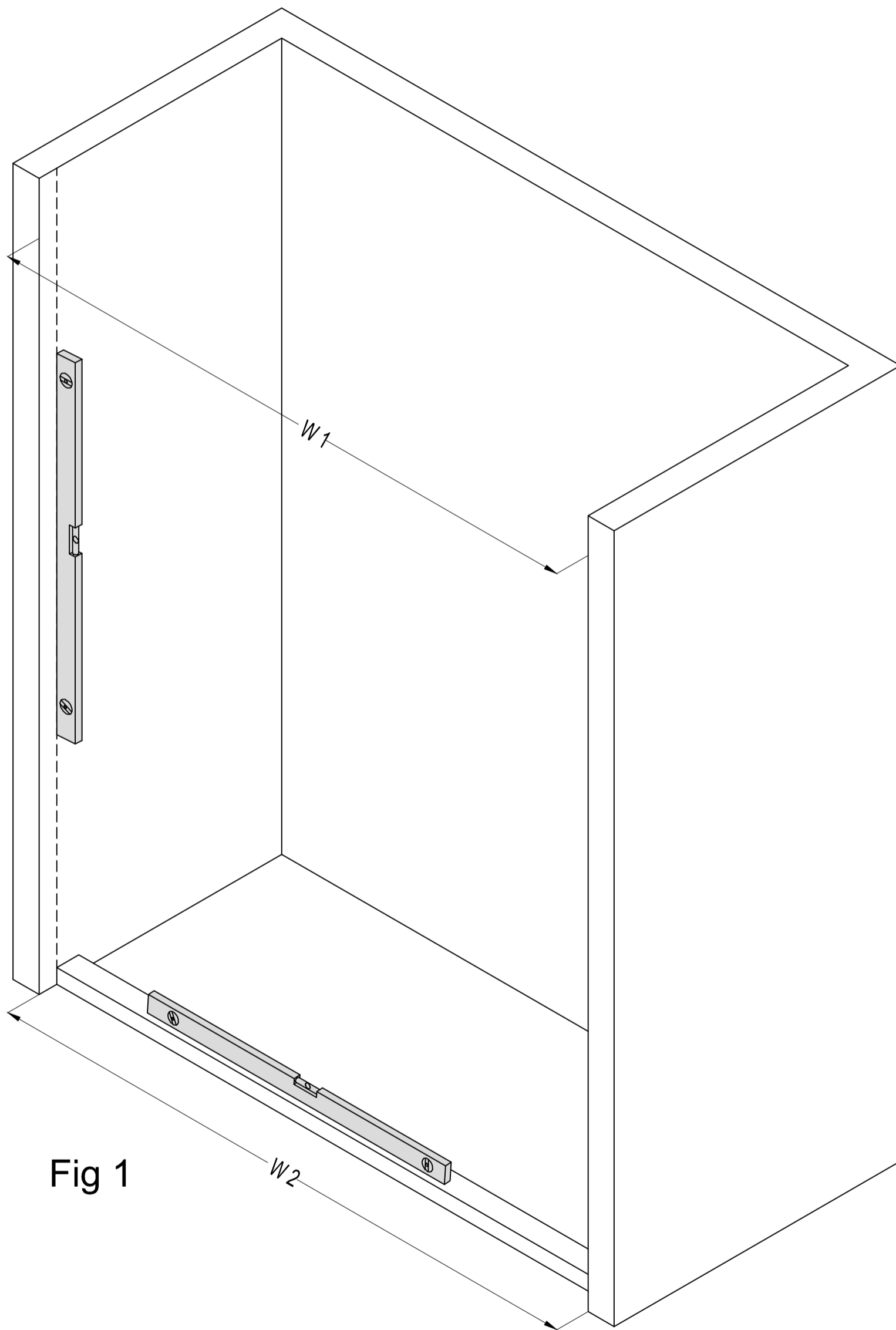


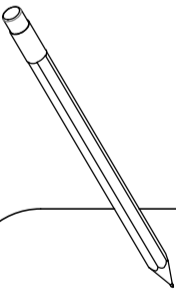

1 Measure the finished opening width.

NOTE

- 1. Measure the finished opening width at the bottom and at the model height. Use these dimensions as "W1" (top) and "W2"(bottom) in step #2.
- 2. Also check the threshold for level and the walls for plumb.(Fig 1)

This model will only accommodate up to 1/4"(6mm) for out-of-plumb condition.



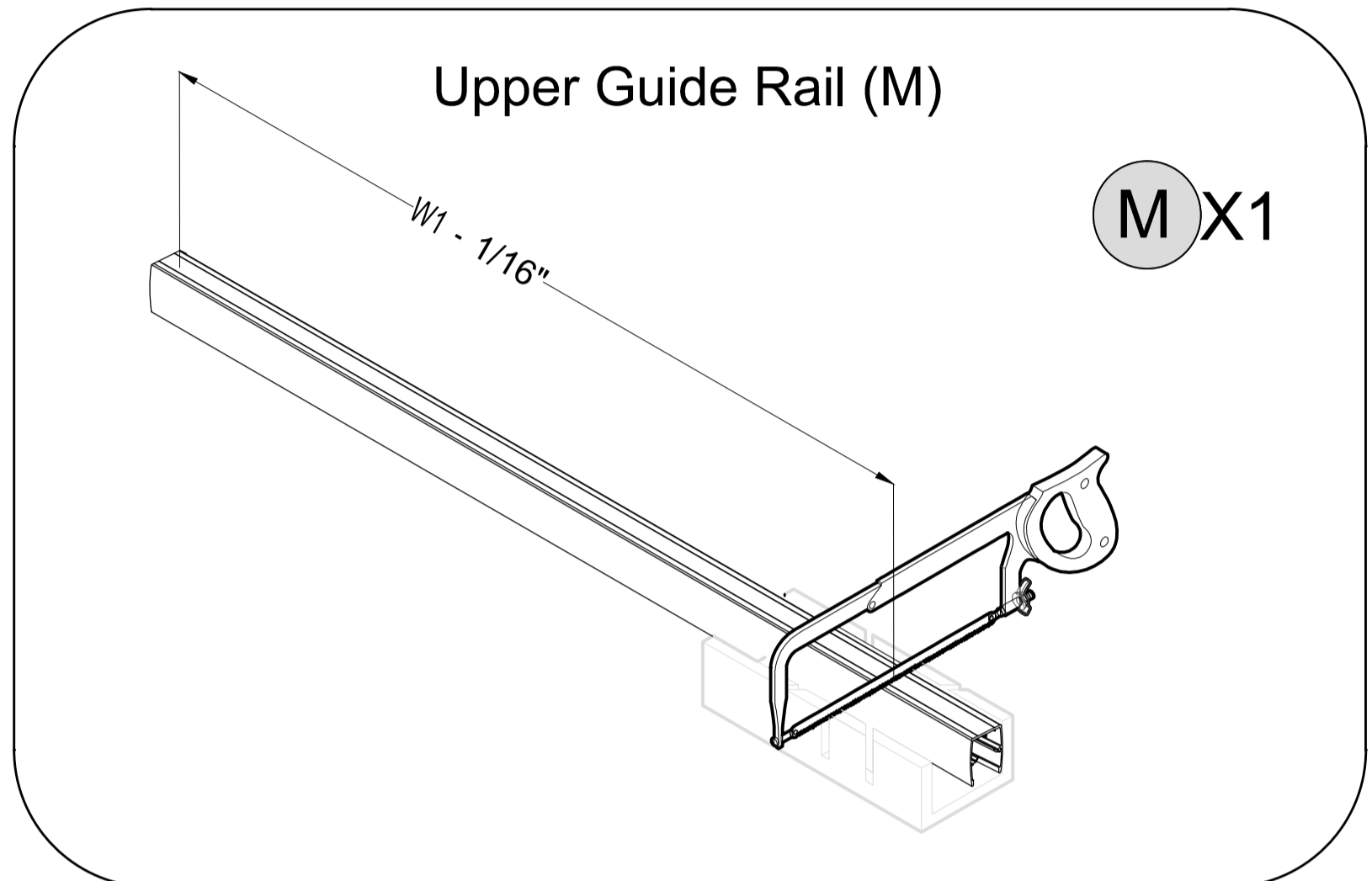
_____ Finished opening top (W1)

_____ Finished opening bottom (W2)

2

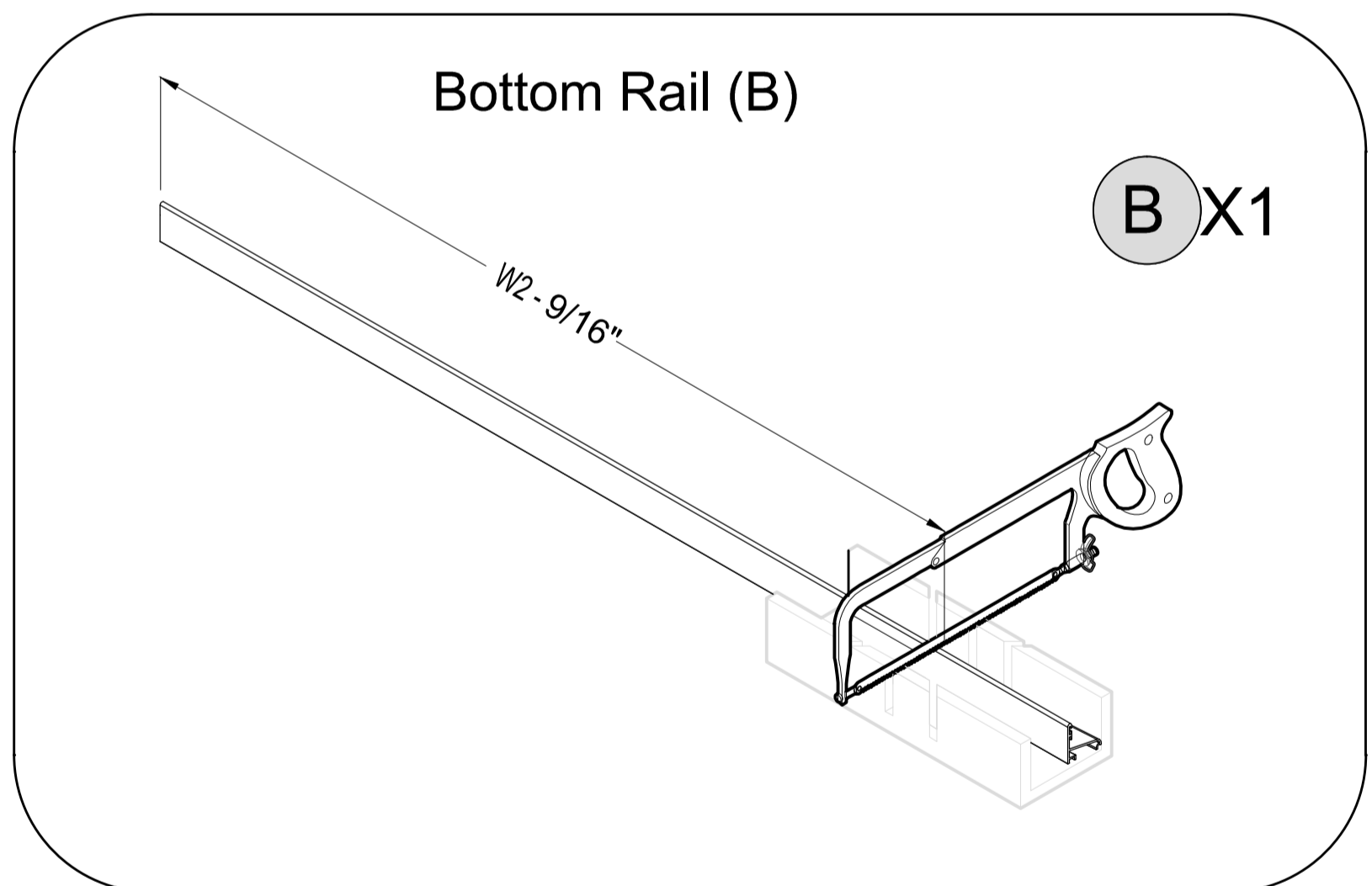
Cut the **Upper Guide Rail (M)** and the **Bottom Rail (B)** to fit your finished opening using either a miter saw or a hacksaw

Cut the **Upper Guide Rail (M)** to: "W1" (top) dimension - 1/16"



Cut the **Bottom Rail (B)** to: "W2"(bottom) dimension - 9/16"

Use a metal file to remove any burrs from the cut ends.



NOTE

Fig 2

The Upper Guide Rail, Wall Profiles and Bottom Rail are pre-cut for the model size:

Upper Guide Rail (M) = 60"

Wall Jamb (E) = 68 3/4"

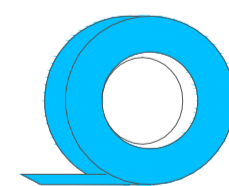
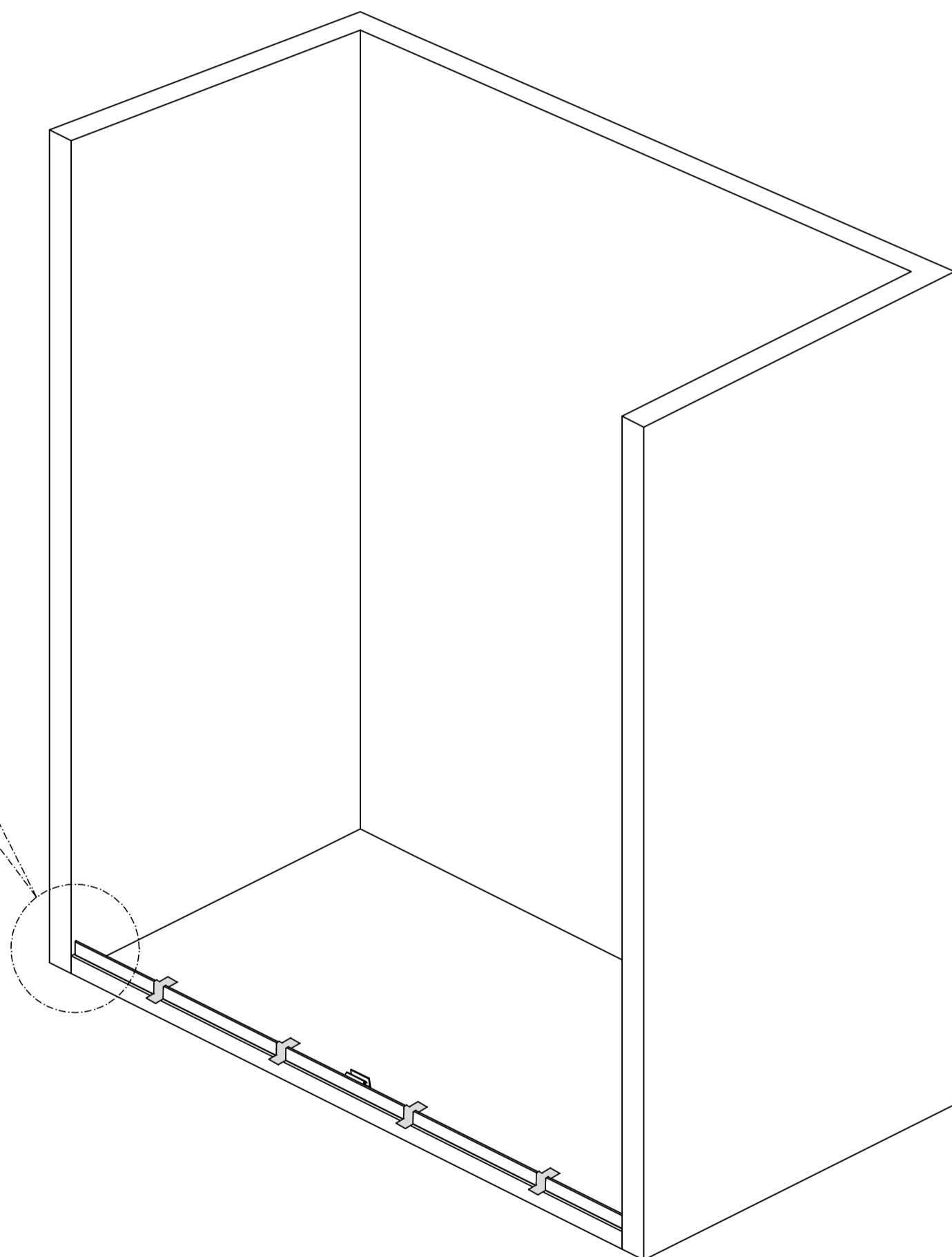
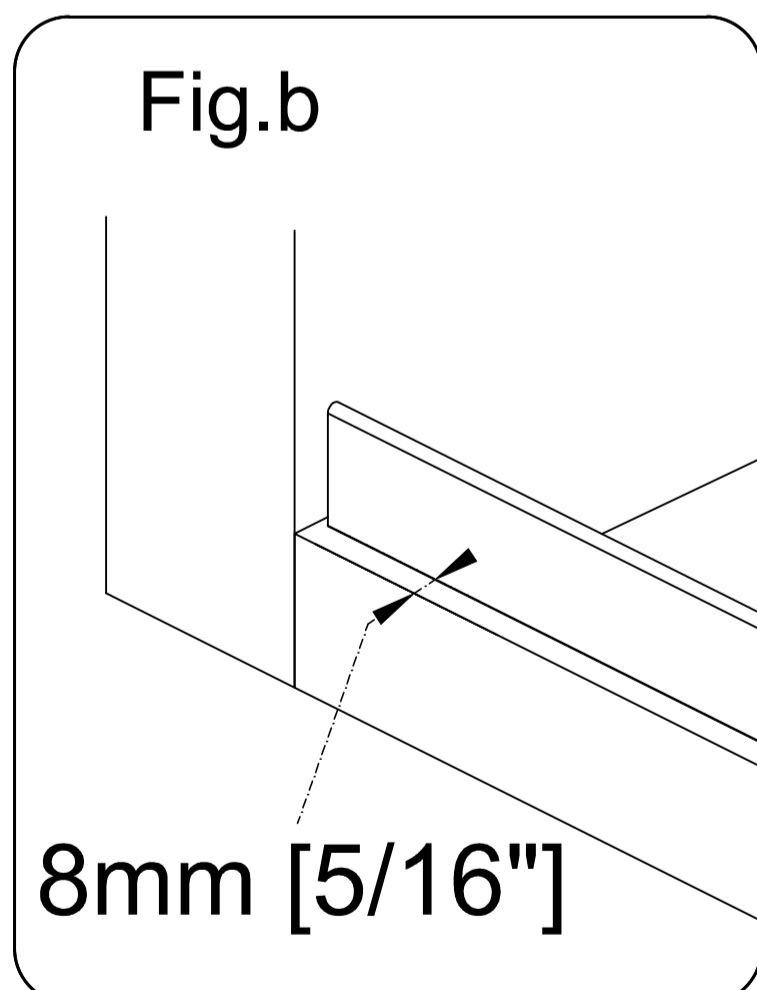
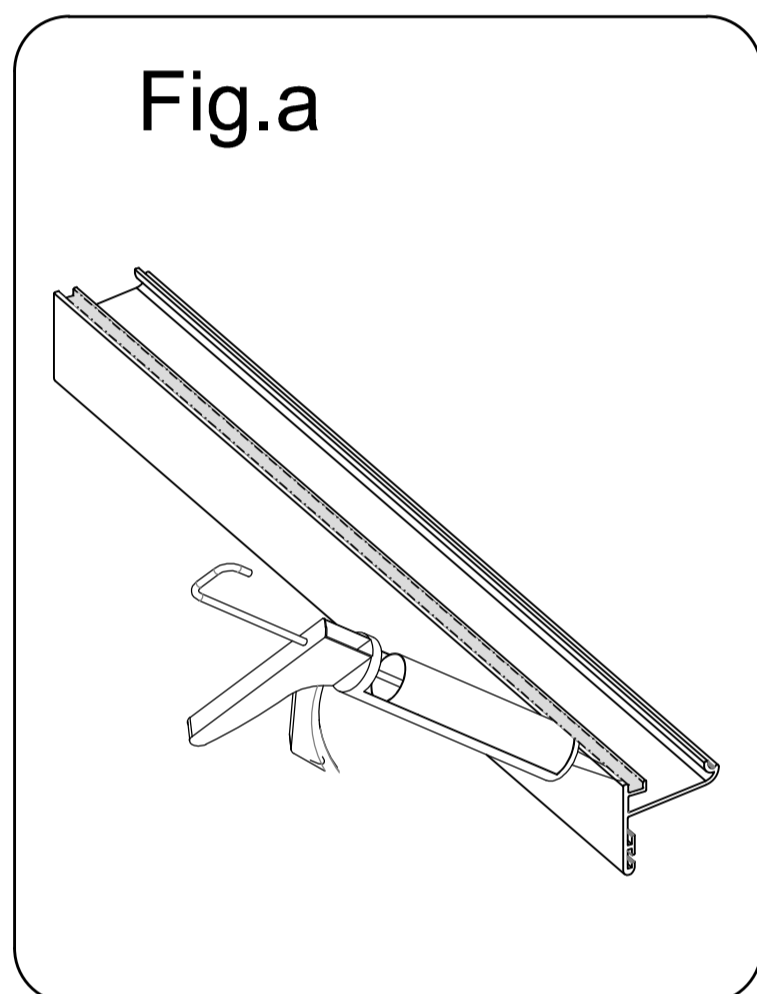
Bottom Rail (B) = 60"

Only the **Upper Guide Rail (M)** and **Bottom Rail (B)** need to be cut to fit the finished opening size.

3 Bottom Rail(B) Installation

NOTE

1. Apply silicone into the groove along the entire length of the **Bottom Rail(B)** as Fig a;
2. Measure in 5/16" from the outside of the **Bottom Rail(B)** as Fig.b.

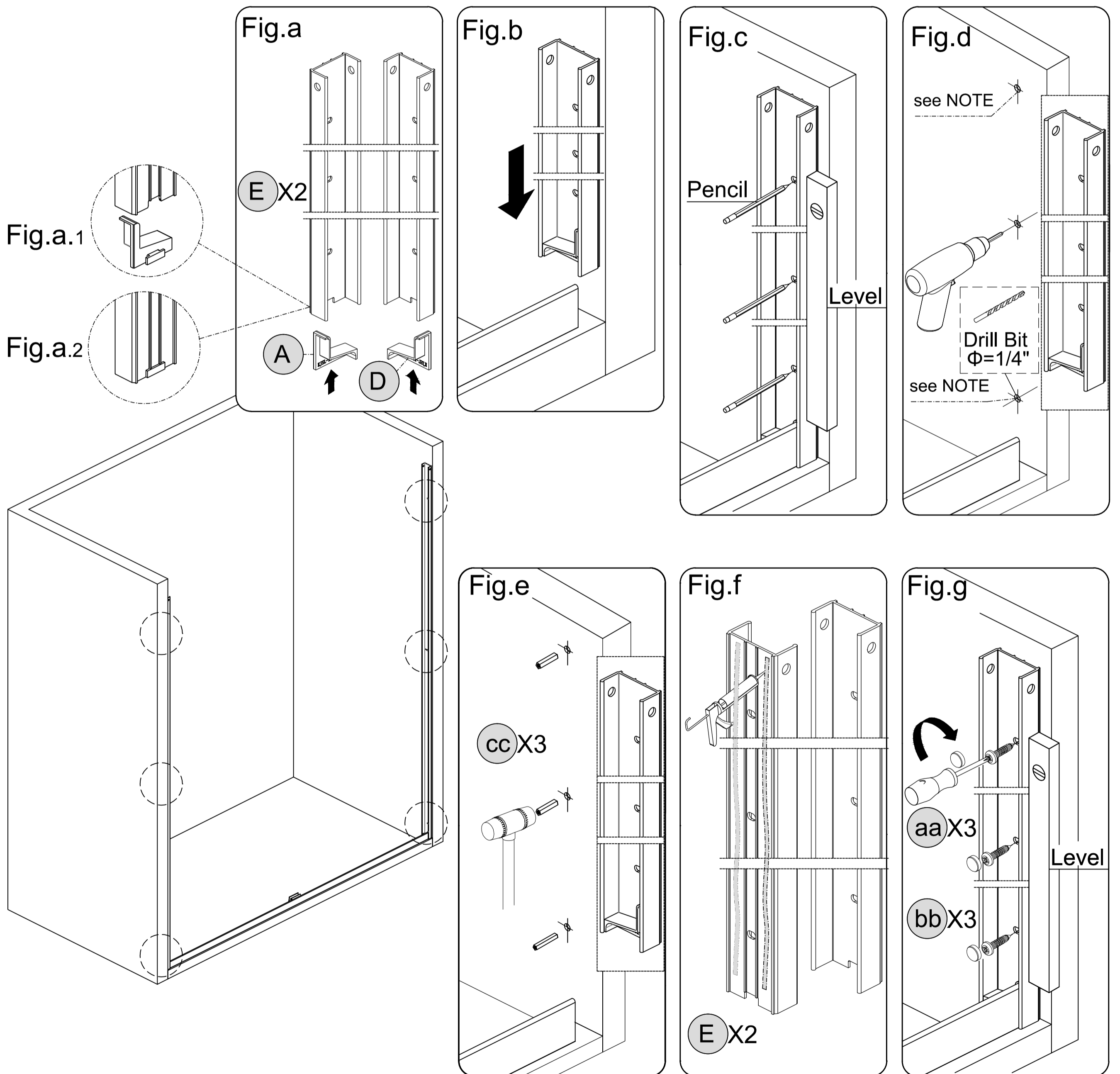


Use Painter's Tape to hold the Water seal tight in position while the silicone cures.

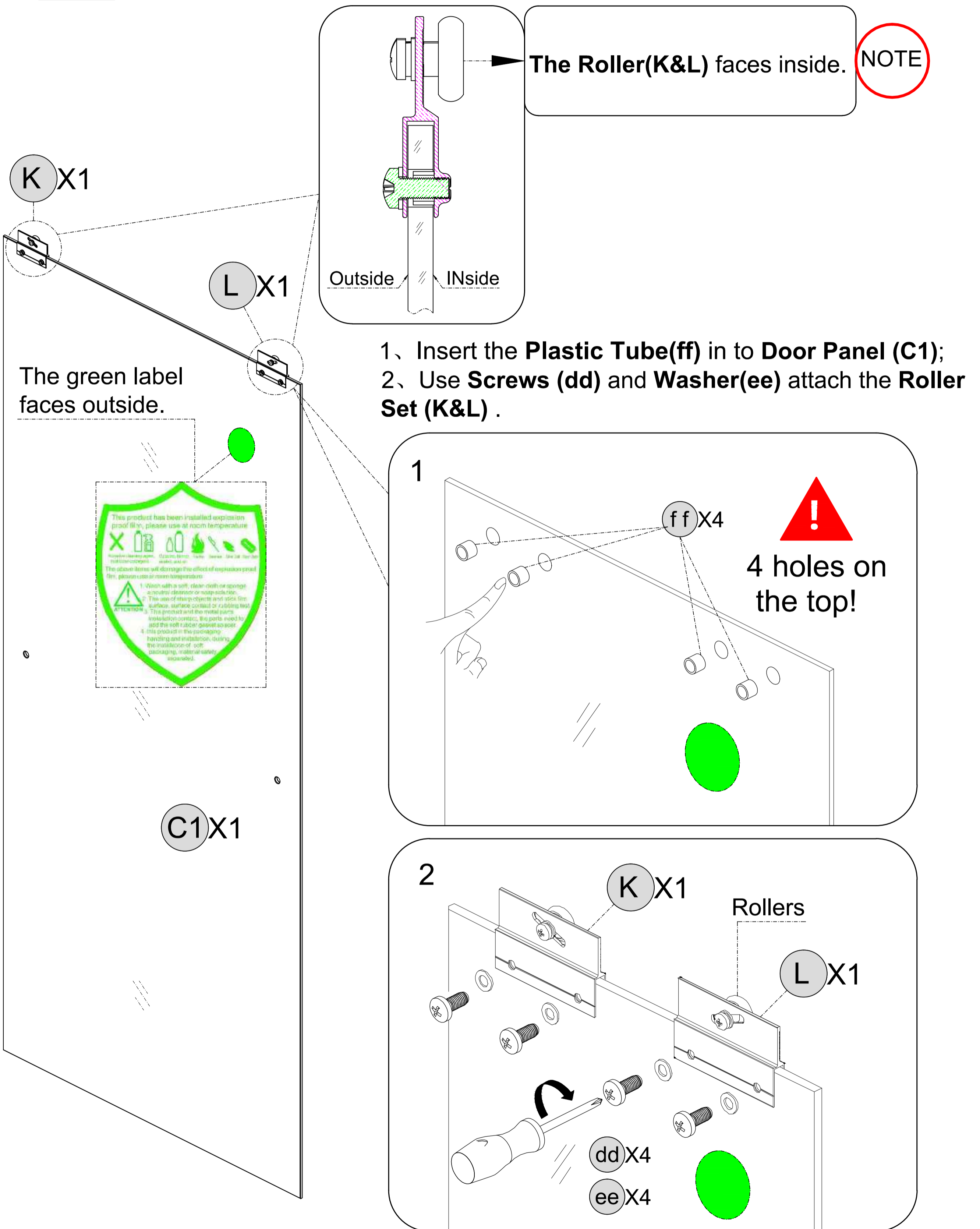
4 Wall Jamb(E) Installation

NOTE

1. Attach the **Cap(A & D)** to **Wall Jamb(E)** as Fig.a;
2. Attach the **Wall Jamb(E)** to **Bottom Rail(B)** as Fig.b;
3. Please note one end with 2 side holes faces up. Mark the location of the holes as Fig.c;
4. Drill the holes as Fig.d and Fig.e;
5. Apply silicone into the groove along the entire length of the **Wall Jamb(E)** as Fig f;
6. Attach the **Wall Jamb(E)** to the wall as Fig g.



5 The Roller(K&L) Installation on the Inside Door Panel (C1)



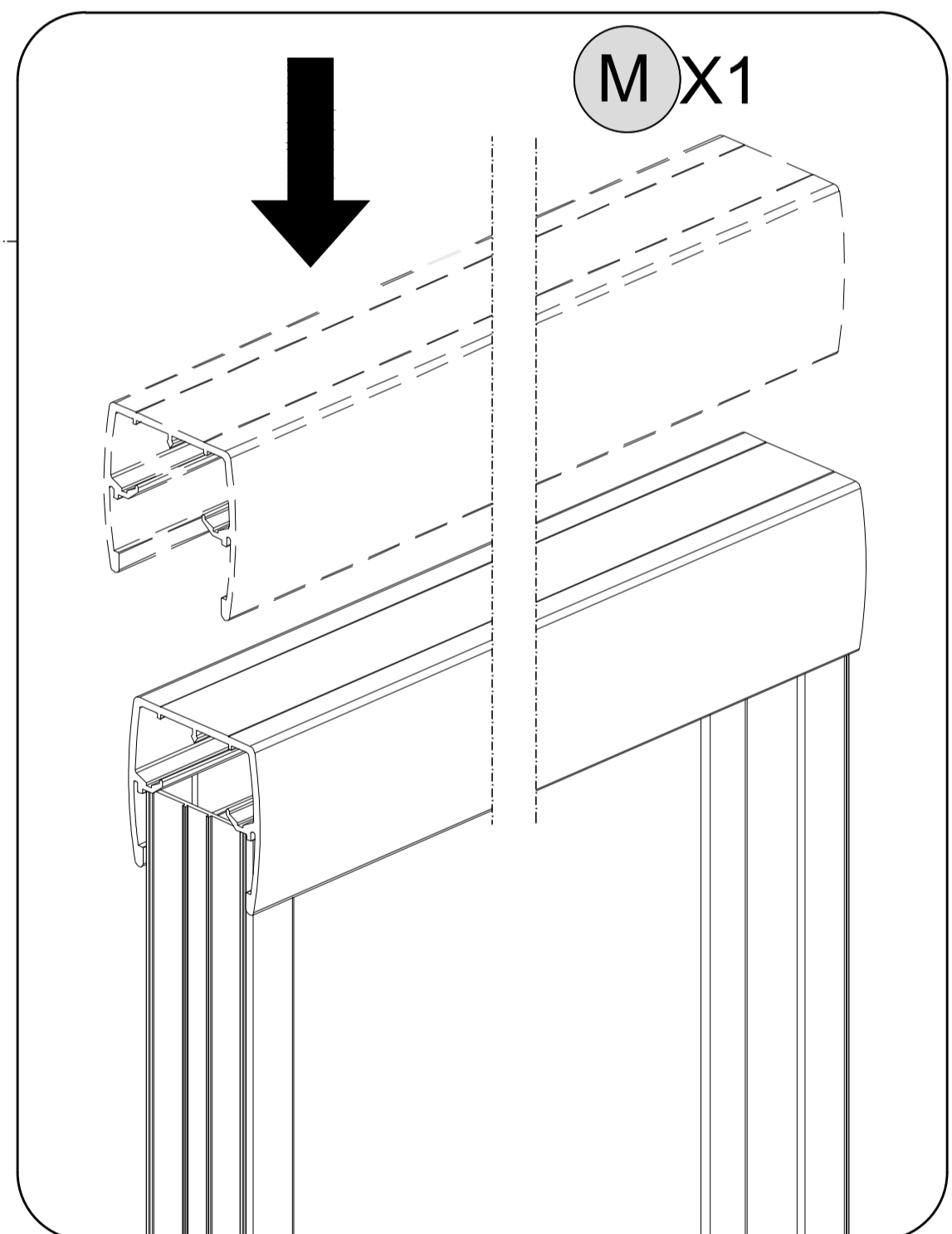
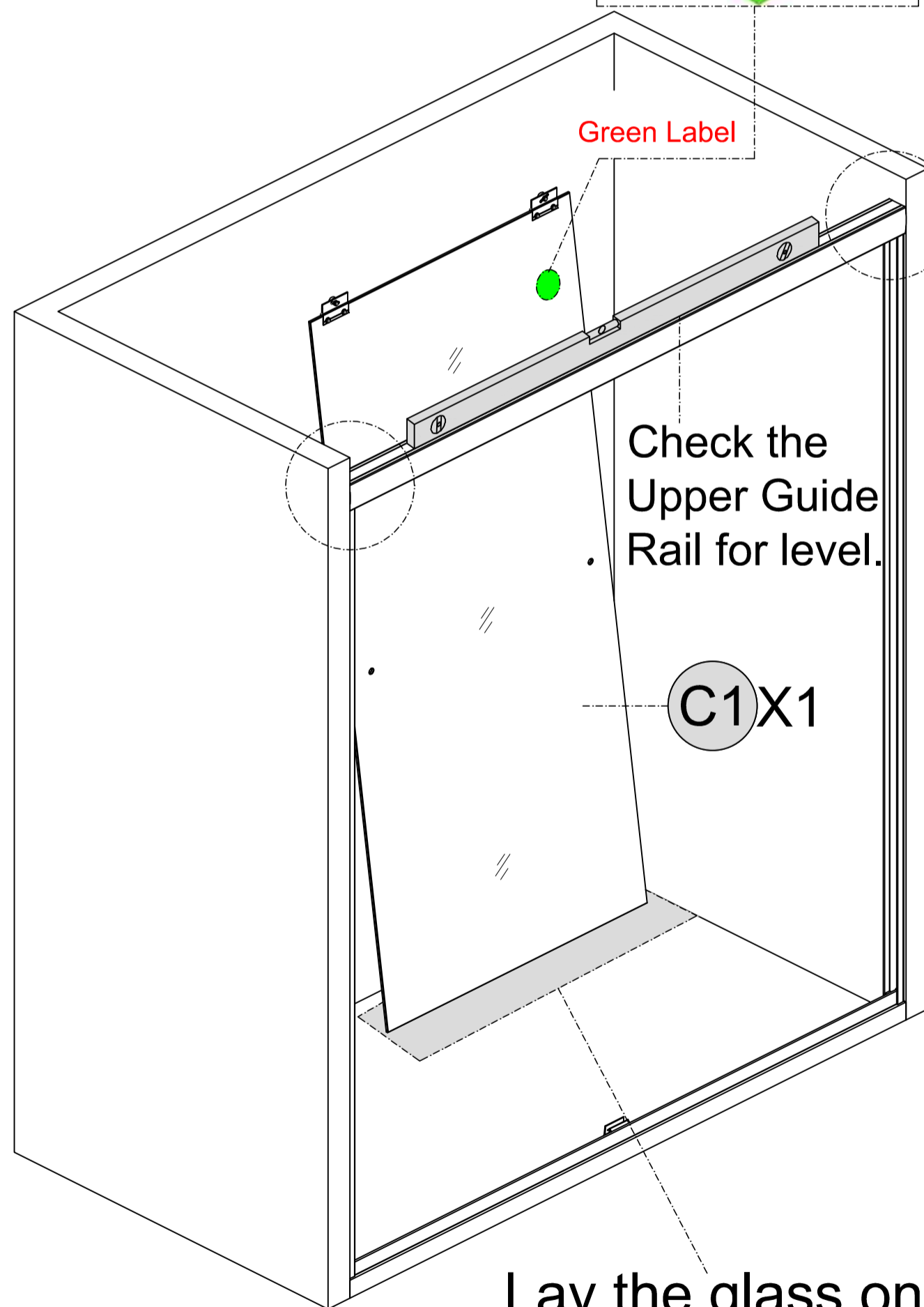
6 Upper Guide Rail (M) Installation

NOTE Put **Inside Glass Panel(C1)** inside the shower place before install the **Upper Guide Rail(M)**, and the green label faces outside.

The green label faces outside;
The Roller faces inside.



Insert the **Upper Guide Rail(M)** into the installed **Wall Jamb(E)**.

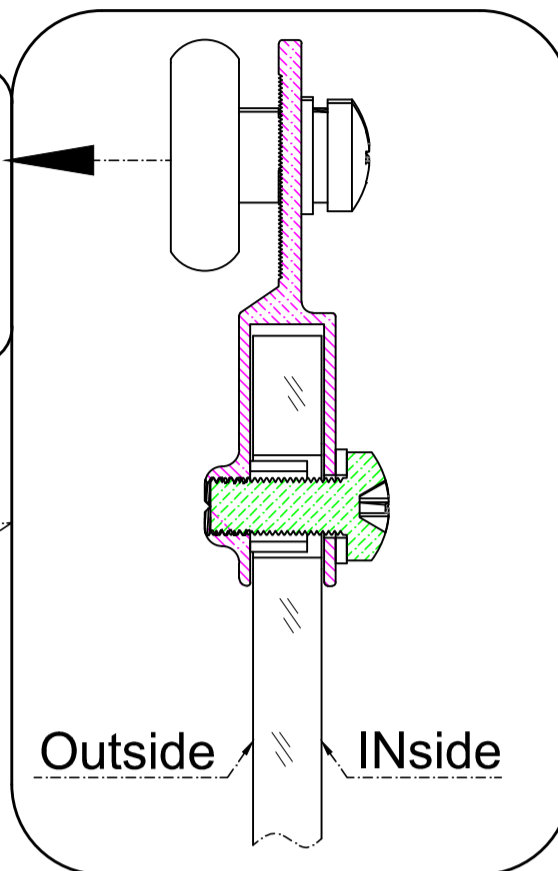


Lay the glass on a soft padded surface!

7

The Roller(K&L) Installation on the Outside Door Panel (C2)

NOTE The Roller(K&L) faces Outside.



L X1

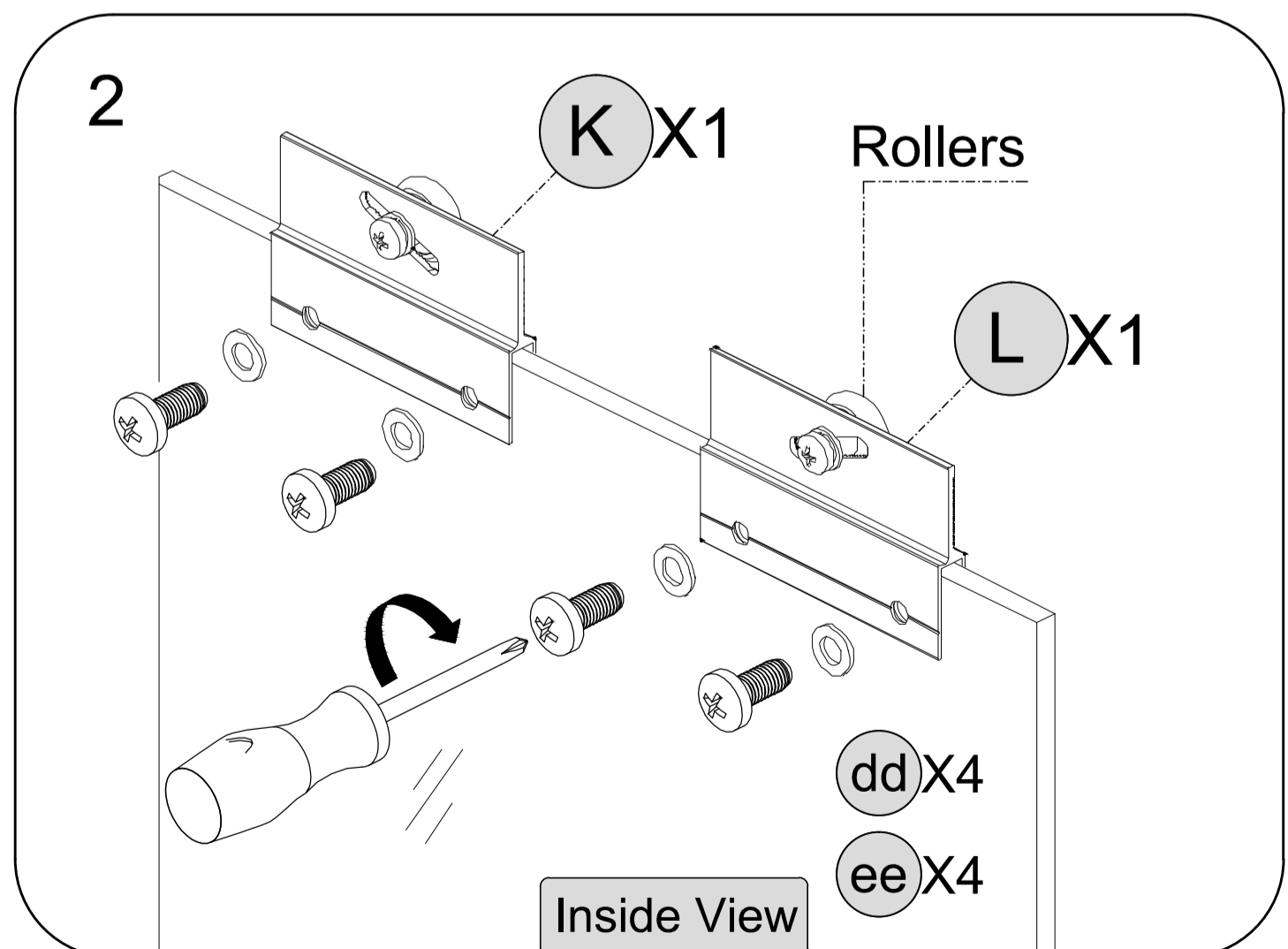
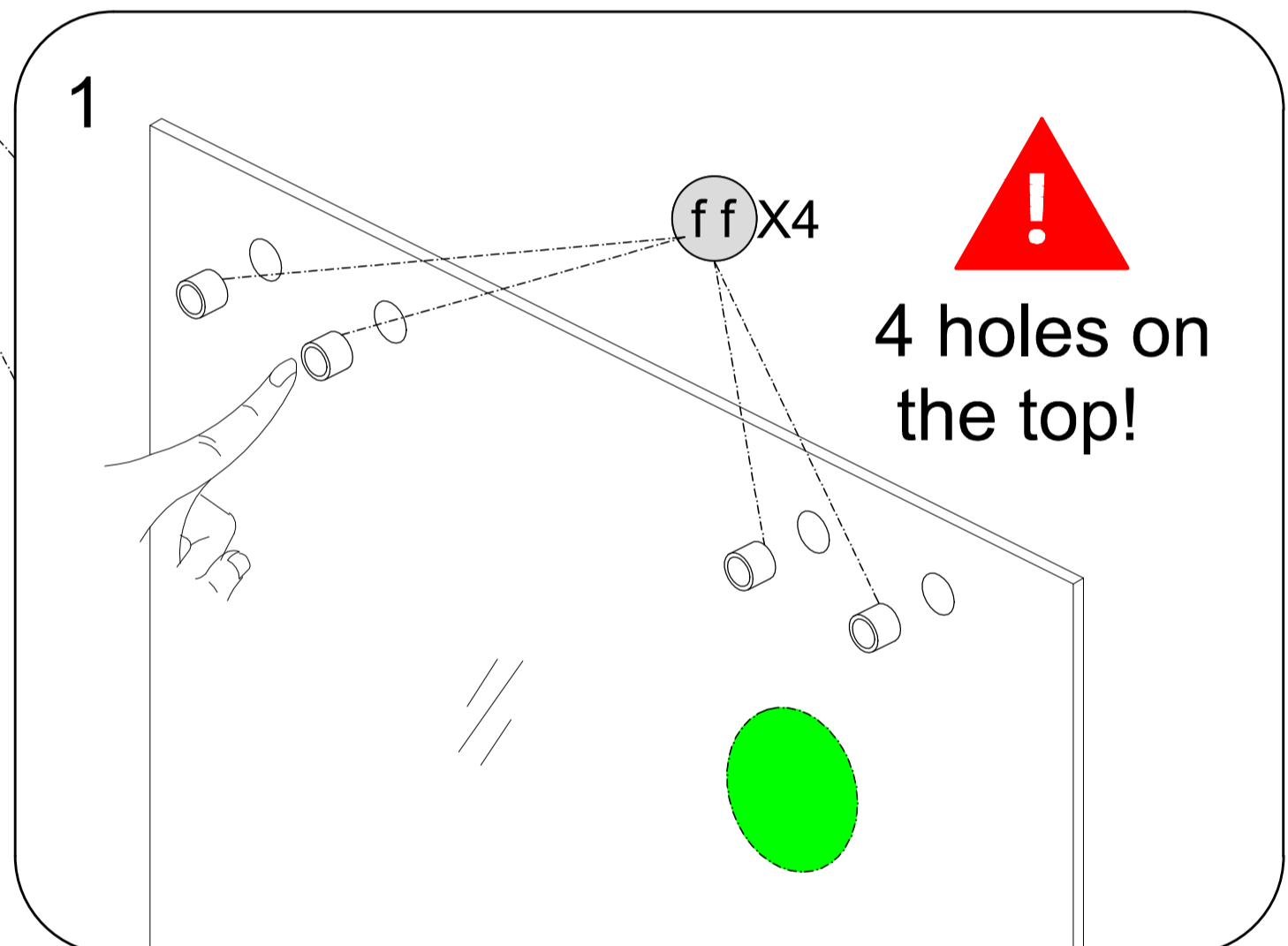
K X1

The green label faces outside.



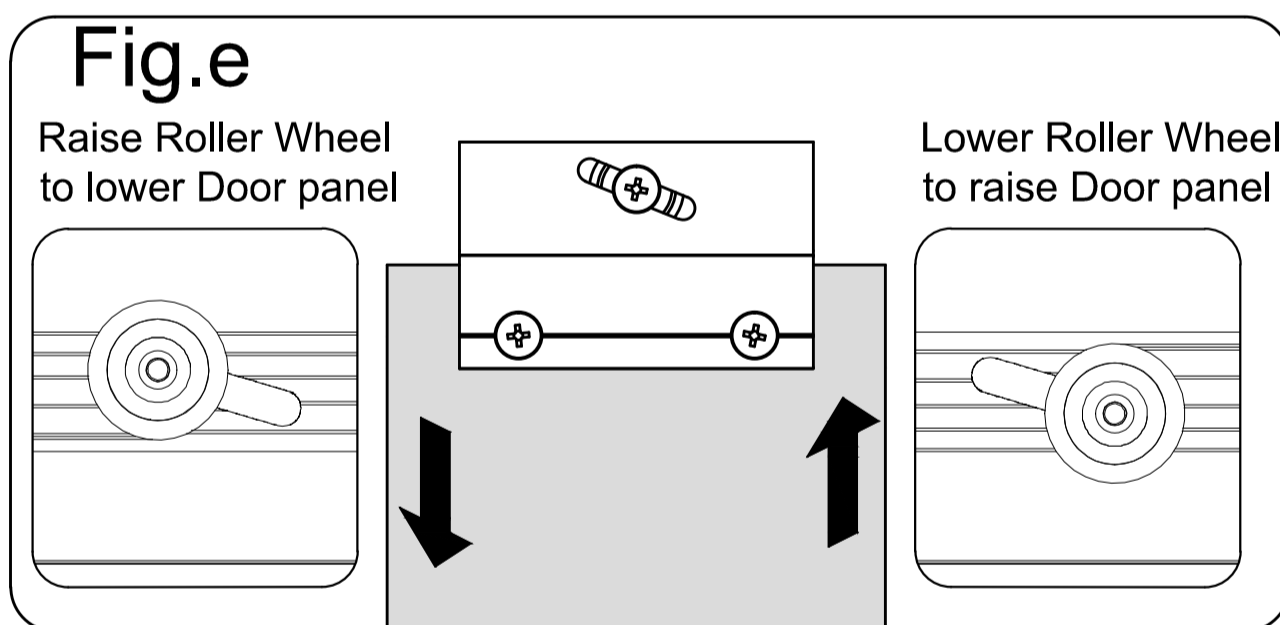
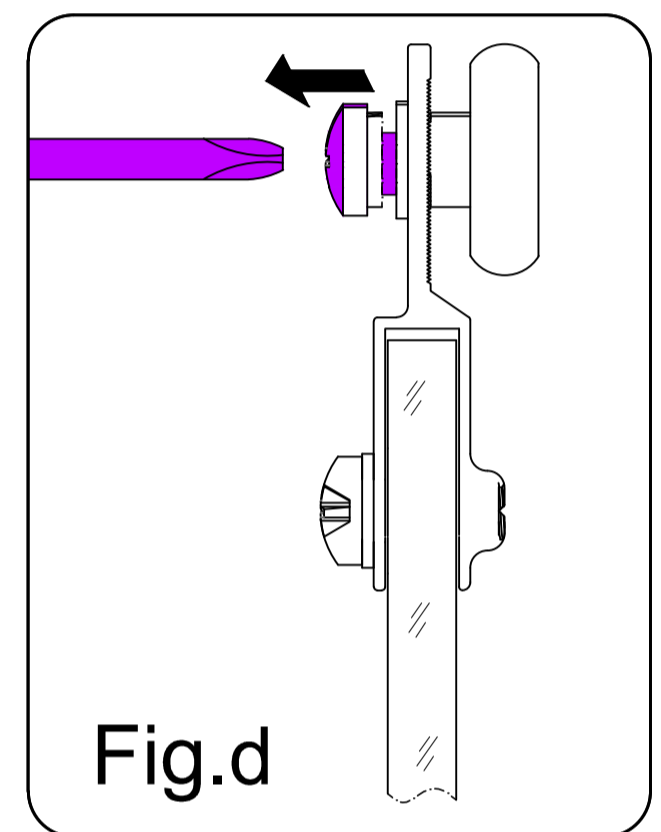
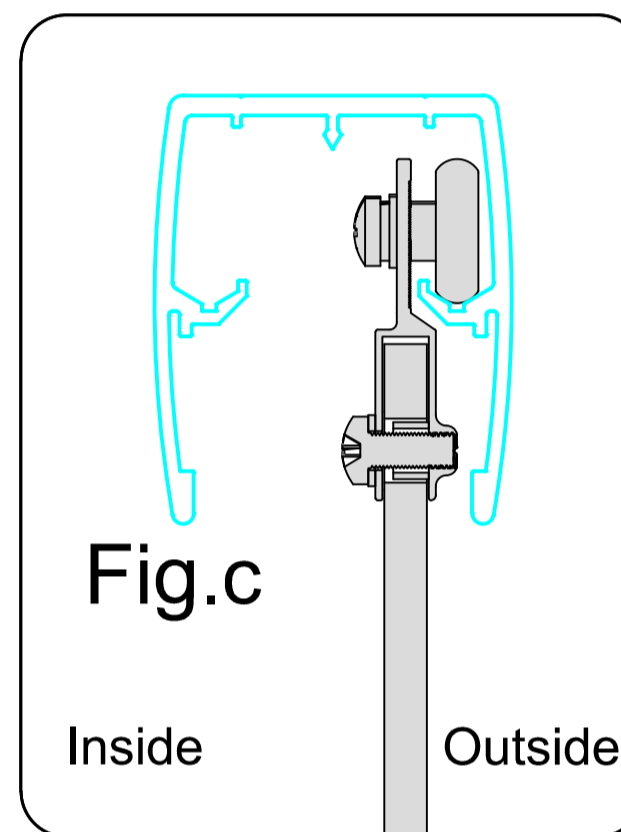
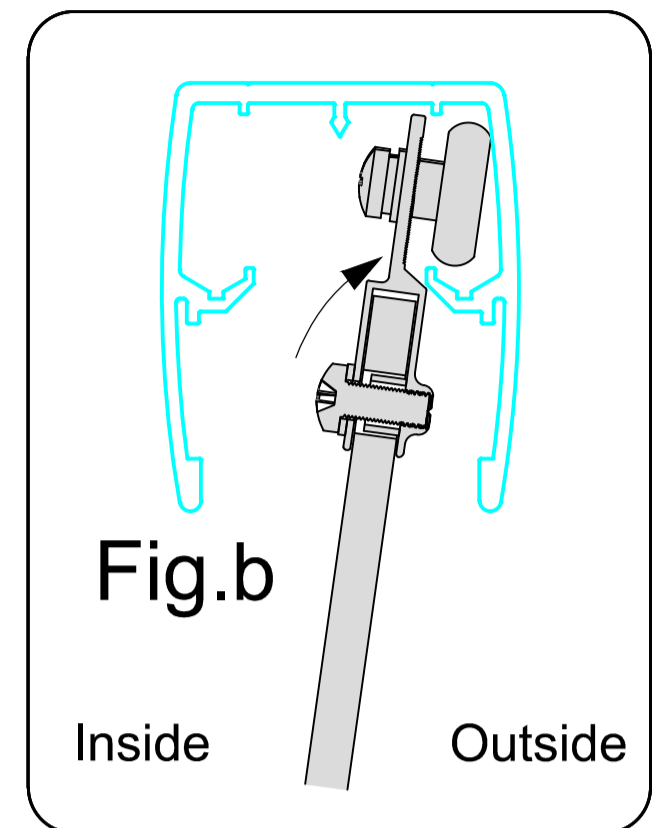
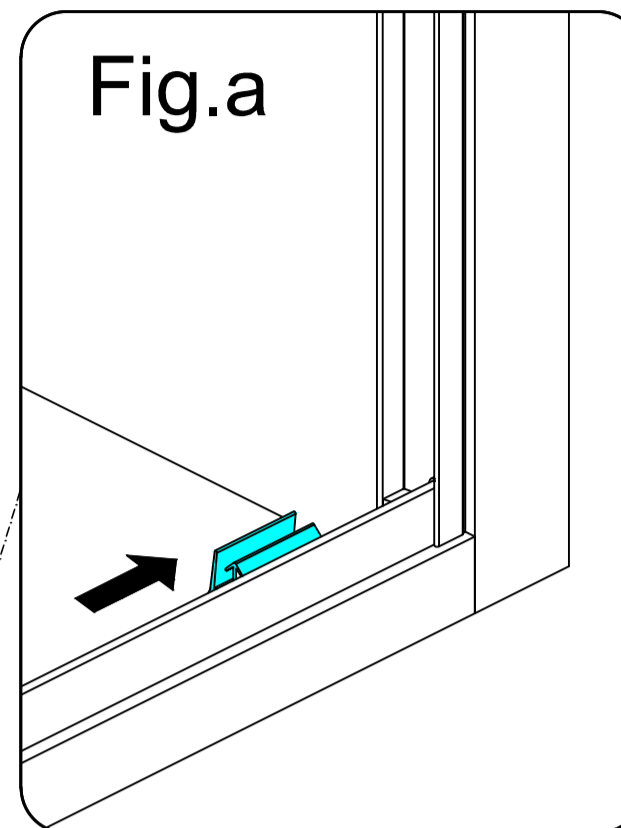
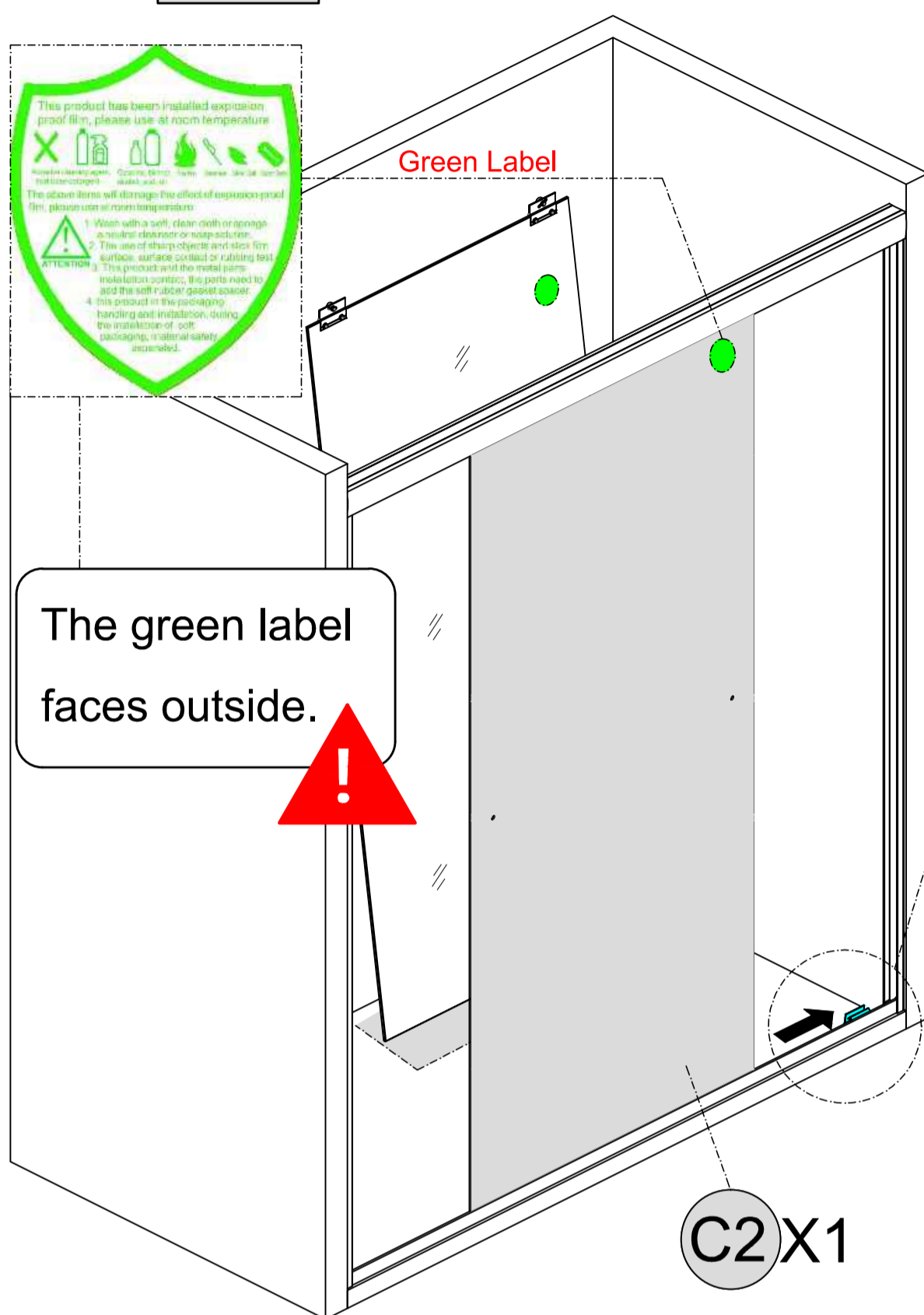
C2 X1

1. Insert the **Plastic Tube(ff)** in to **Door Panel (C2)**;
2. Use the **Screws (dd)** and **Washer(ee)** attach the **Roller Set (K&L)** .



8

Outside Door panel(C2) Installation



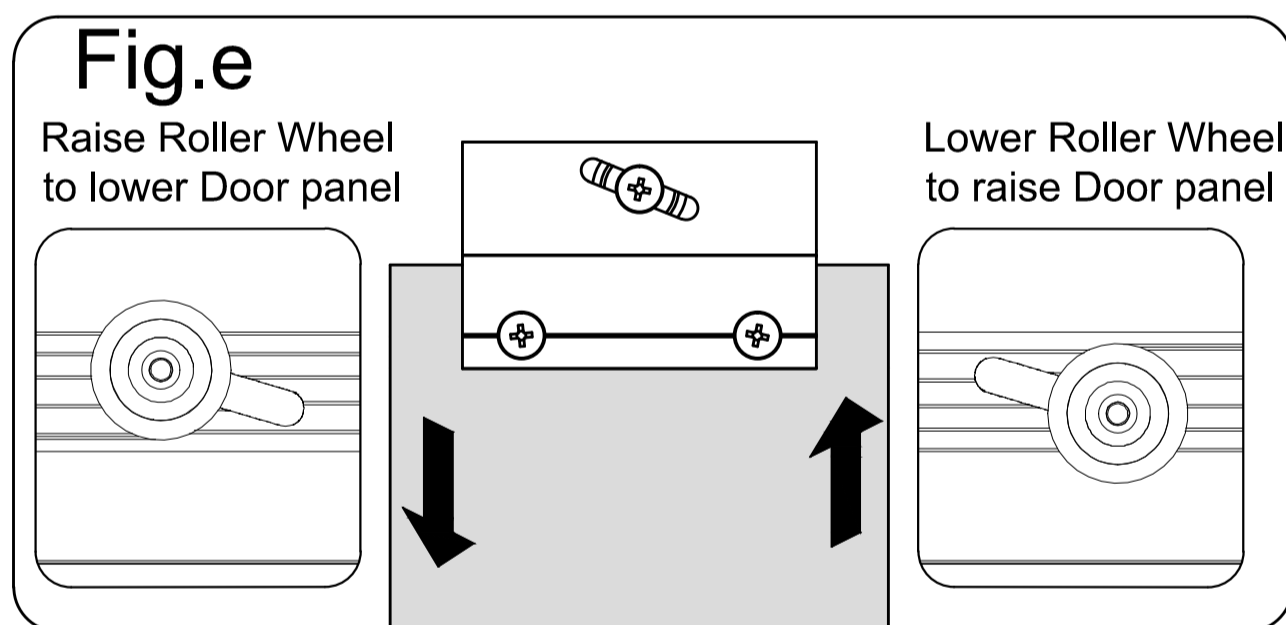
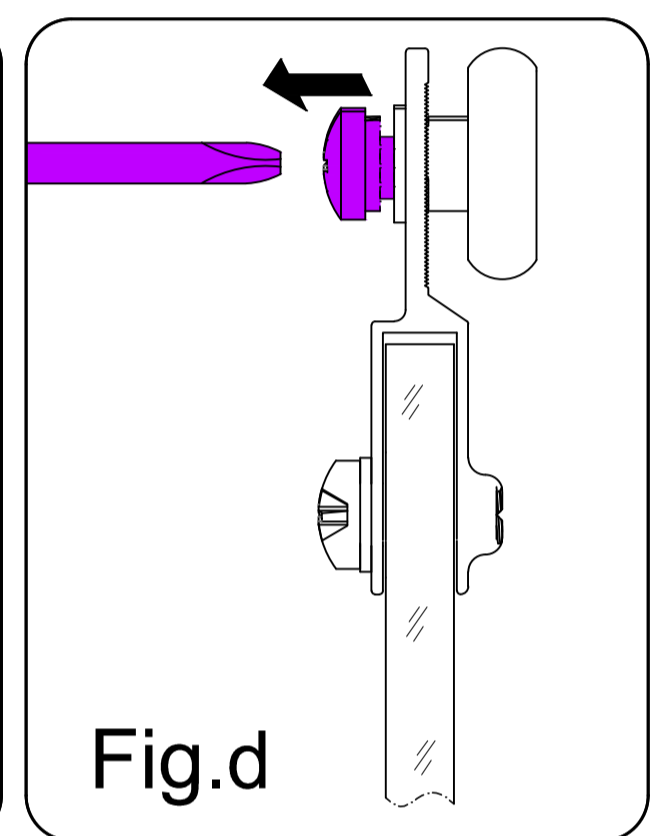
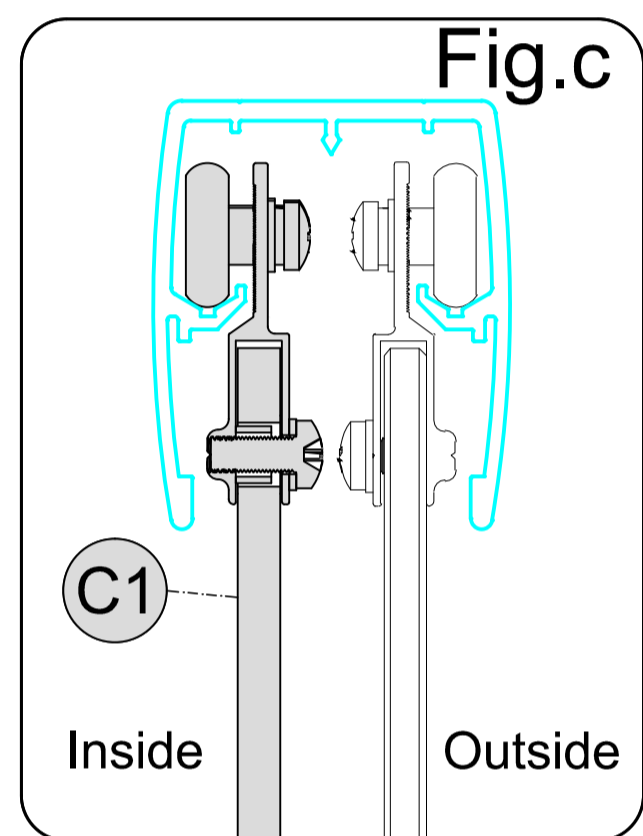
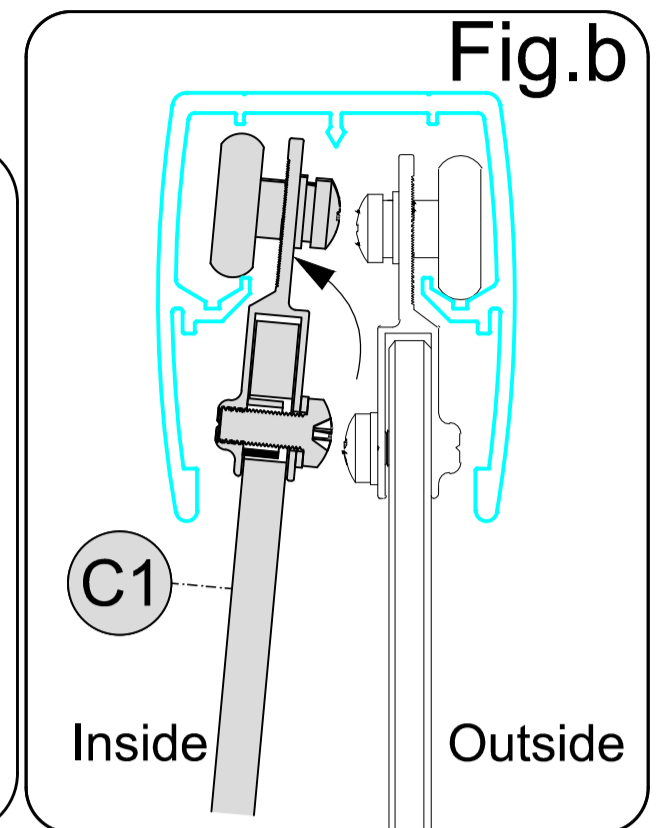
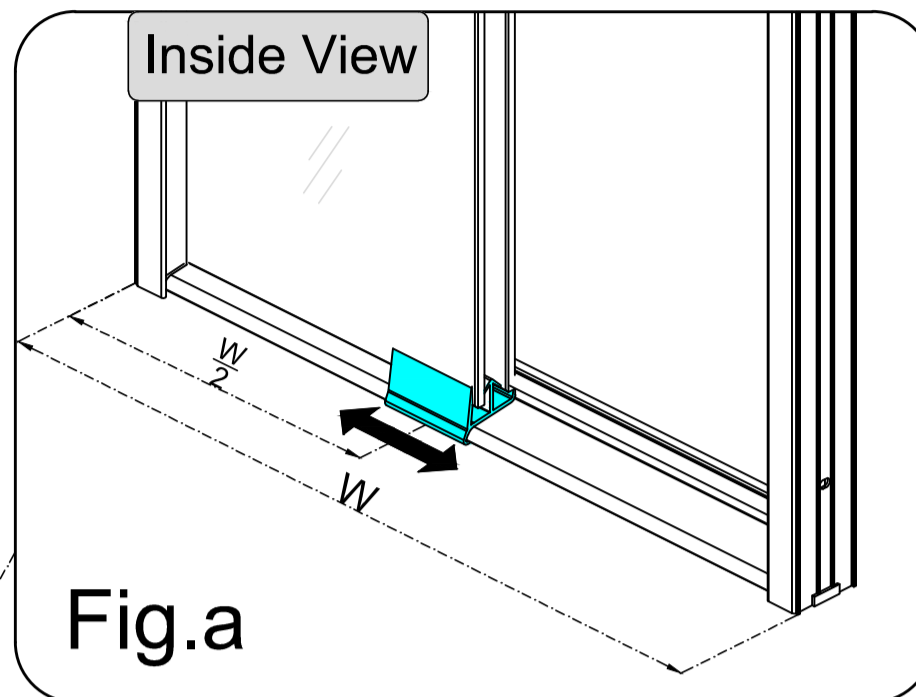
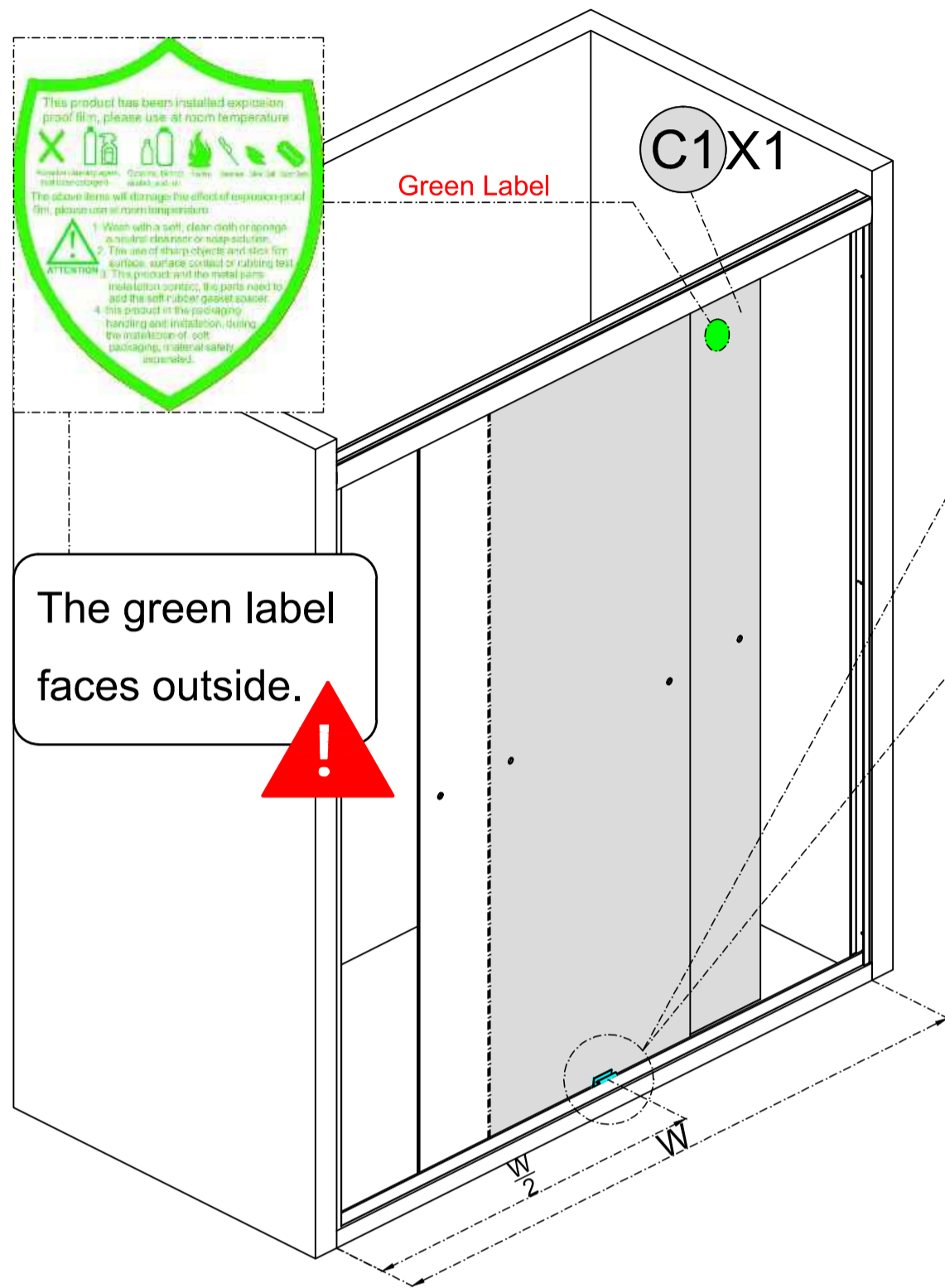
1. Move the bottom guide slider of the **Bottom Rail(B)** to the side as Fig.a;
2. Insert the **Outside Door Panel(C2)** into the **Upper Guide Rail(M)** as Fig.b and Fig.c .

NOTE

- DO NOT install the towel bars on the glass until instructed.
DO NOT lift the glass using the towel bars;
1. The **Roller Wheels (K & L)** can be adjusted to better align the vertical edges of the Door Glass with the Wall Profiles if needed, to prevent leaks;
 2. In order to adjust the **Roller Wheels (K & L)**, remove that door from the **Upper Guide Rail (M)**. Please make sure the glass is put on the padded surface;
 3. Unscrew the screw first with Phillips Screw Driver as Fig.d ;
 4. Adjusting a Roller Wheel up (higher in the slot) will lower the door glass, and adjusting a Roller Wheel down (lower in the slot) will raise the door glass as Fig.e;
 5. Tighten the screw, put the door on the guide rail, gently move the door and observe the door whether aligns with the **Wall Jamb(E)** ;
 6. Repeat step 2-5 until the door aligns with the **Wall Jamb(E)**.

9

Inside Door panel(C1) Installation



1. Move the bottom guide slider to the middle as Fig.a;
2. Insert the **Inside Door Panel** into the **Upper Guide Rail(M)** as Fig.b and Fig.c;

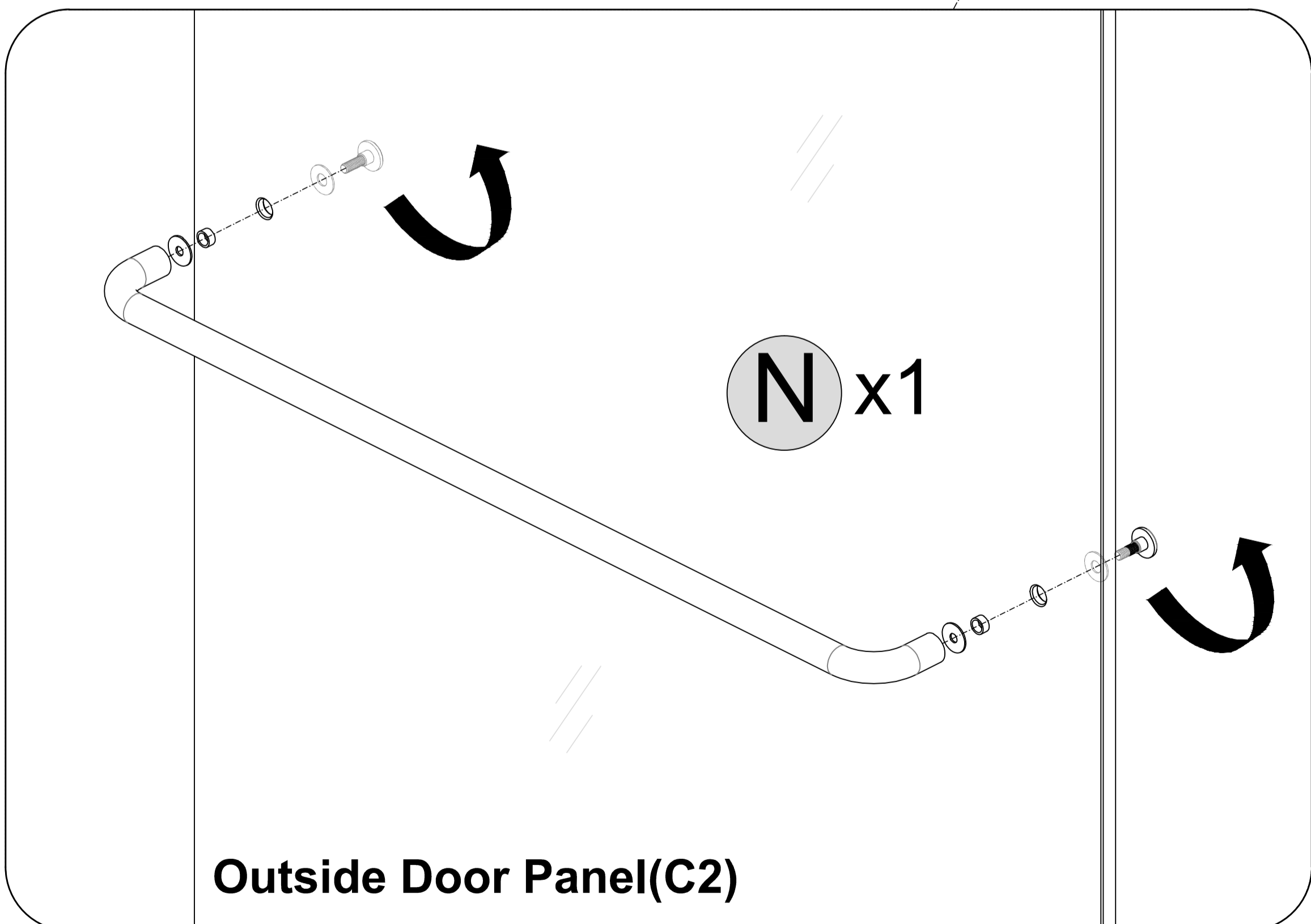
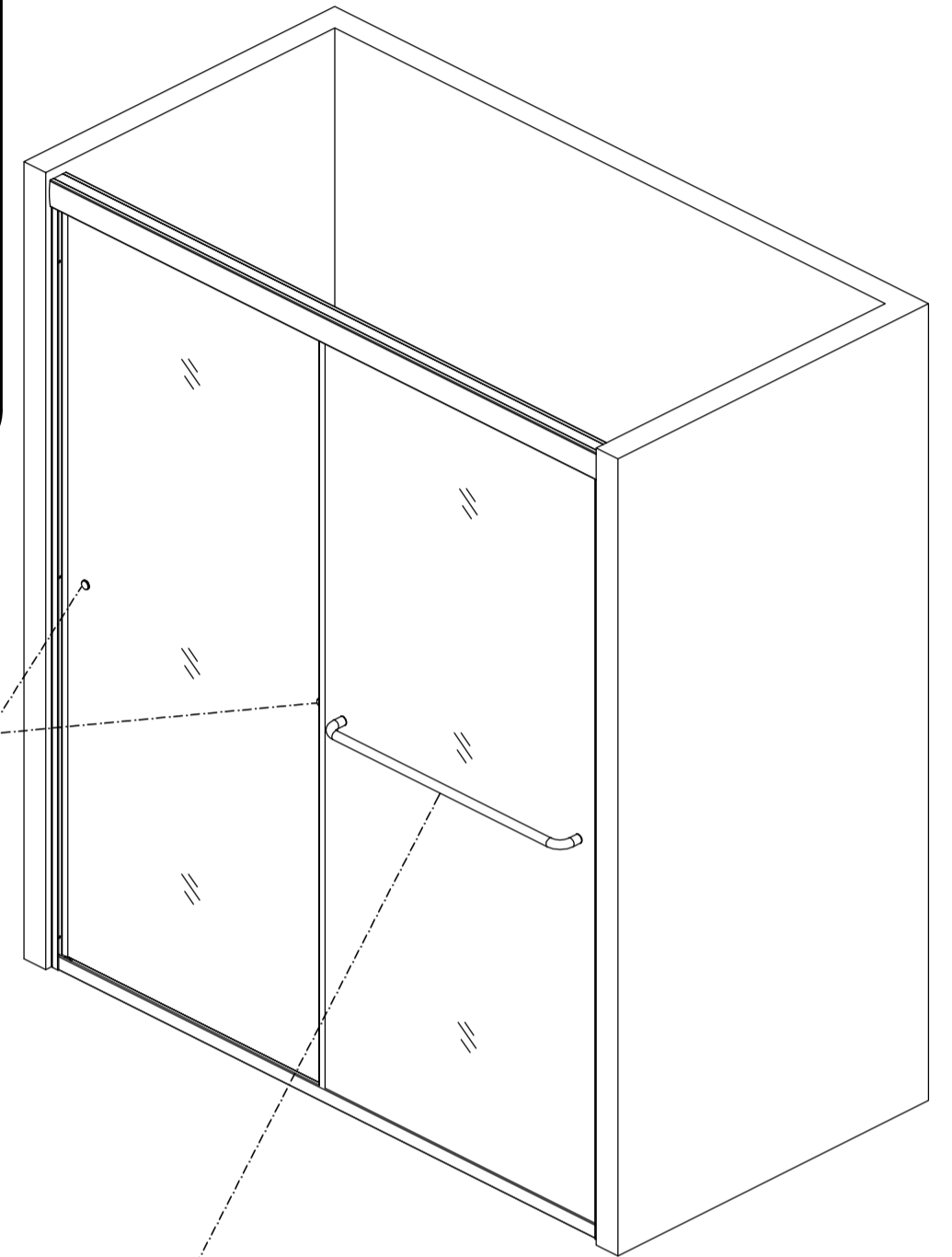
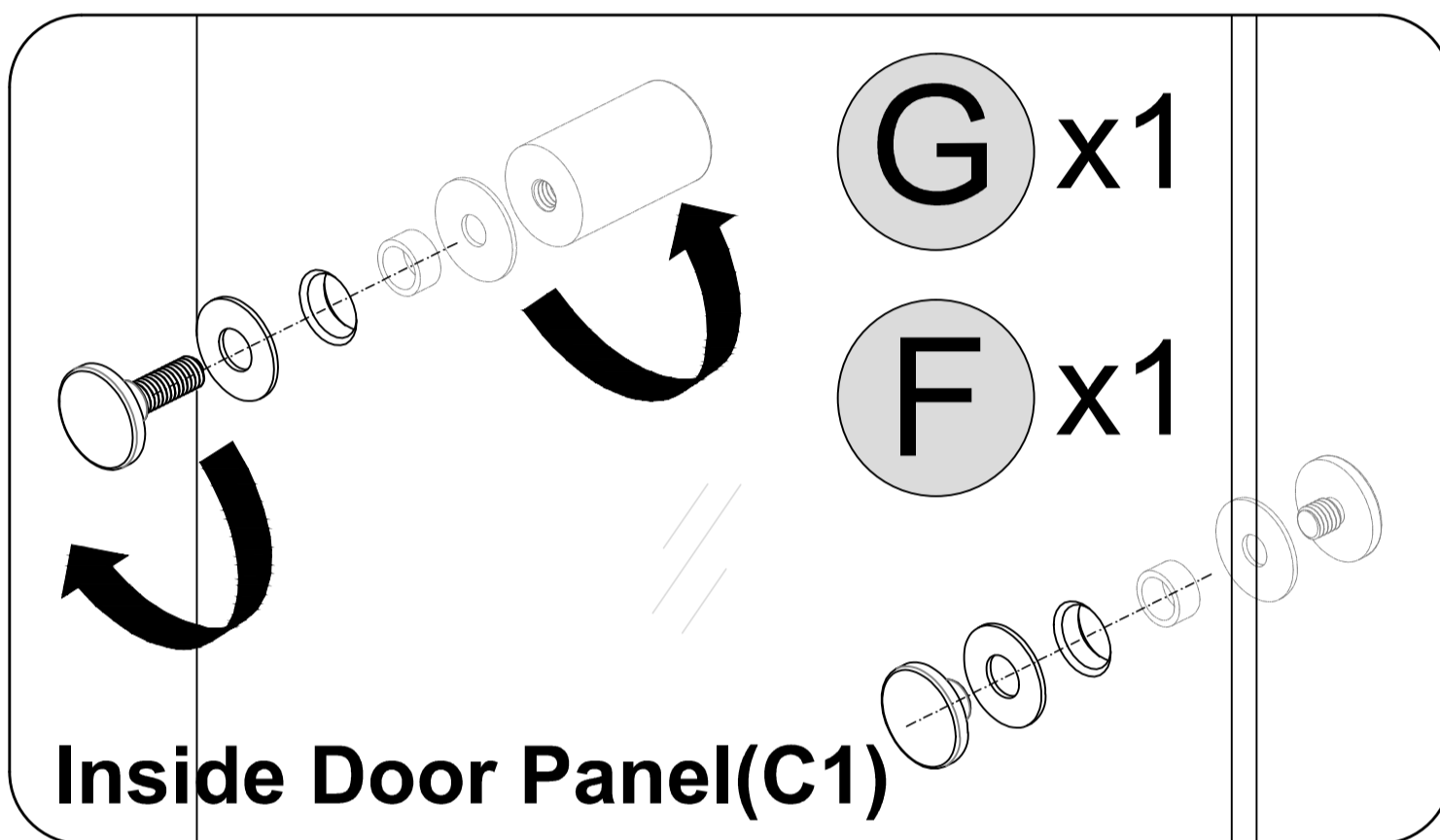
NOTE

- DO NOT install the towel bars on the glass until instructed.
 DO NOT lift the glass using the towel bars;
1. The **Roller Wheels (K & L)** can be adjusted to better align the vertical edges of the Door Glass with the Wall Profiles if needed, to prevent leaks;
 2. In order to adjust the **Roller Wheels (K & L)**, remove that door from the **Upper Guide Rail (M)**. Please make sure the glass is put on the padded surface;
 3. Unscrew the screw first with Phillips Screw Driver as Fig.d ;
 4. Adjusting a Roller Wheel up (higher in the slot) will lower the door glass, and adjusting a Roller Wheel down (lower in the slot) will raise the door glass as Fig.e;
 5. Tighten the screw, put the door on the guide rail, gently move the door and observe the door whether aligns with the **Wall Jamb(E)** ;
 6. Repeat step 2-5 until the door aligns with the **Wall Jamb(E)**.

10 Knob A (F) 、 Knob B(G) and Towel Bar (N) Installation

NOTE

Attach the **Knob A (F) & Knob B(G)** to the **Inside Door Panel(C1)** and Attach the **Towel Bar (N)** to the **Outside Door Panel(C2)** . Be sure to use all of the supplied rubber gaskets to protect the glass.

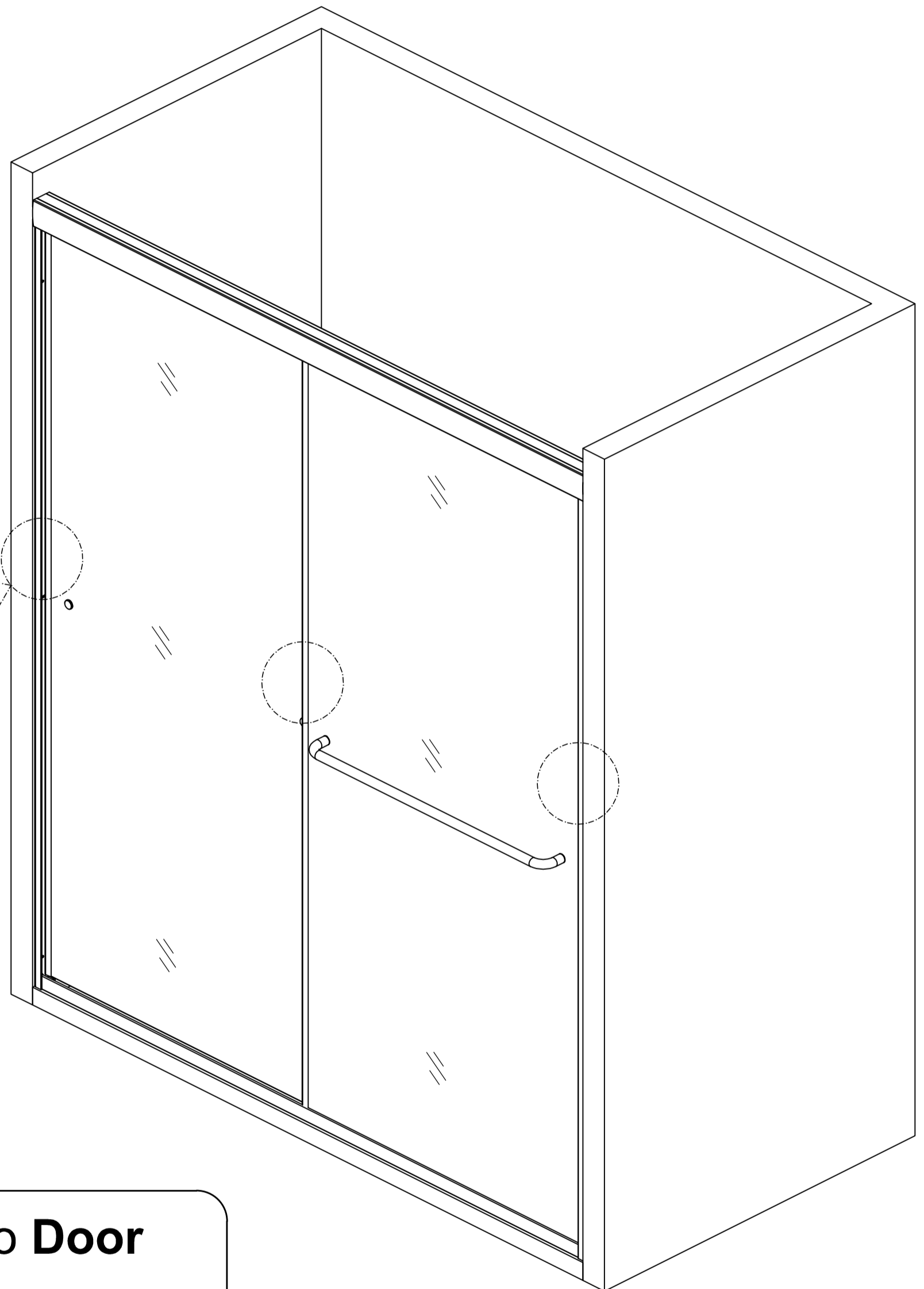
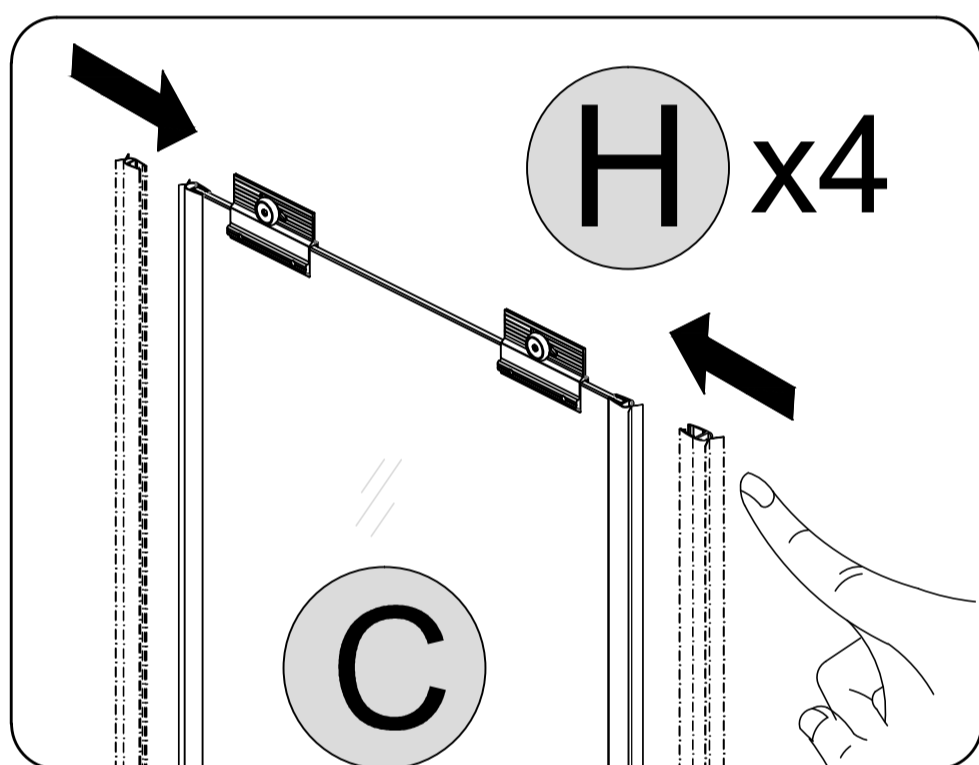


11

Attach the **PVC Seal(H)** to **Door Panel(C1&C2)**

NOTE

2 pieces on each door.



1. Attach the **PVC Seal(H)** to **Door Panel(C1&C2)**;
2. Seal is same height as **Door Panel(C1&C2)**.



12Attach the **Lock(I & J)** to **Upper guide rail(M)** .

NOTE

Put one lock into the track of the **Upper Guide rail(M)** , and then move the lock to the side until the tab of the lock goes inside the hole of the **Wall Jamb(E)**. Repeat this installation to install all 4 locks as Fig. a

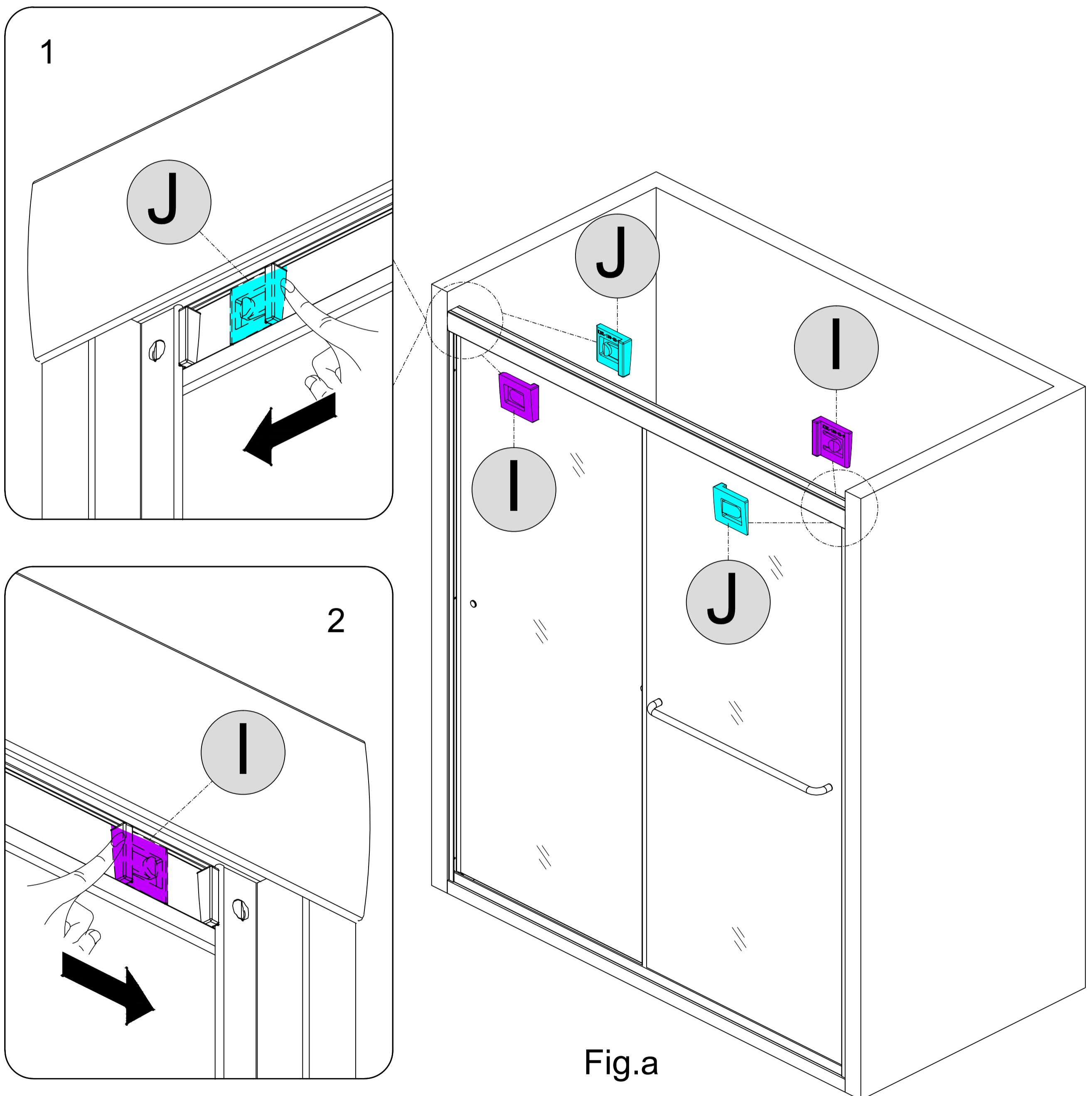


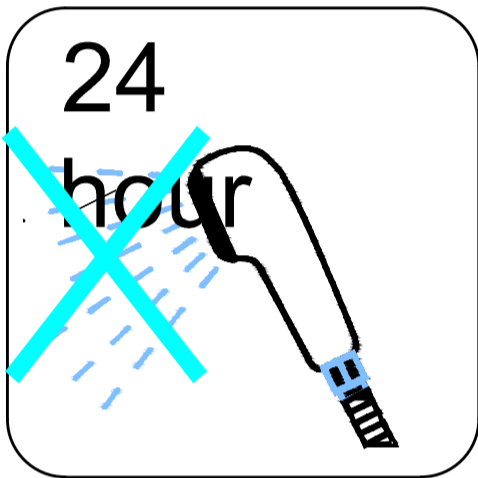
Fig.a

13 SEALING

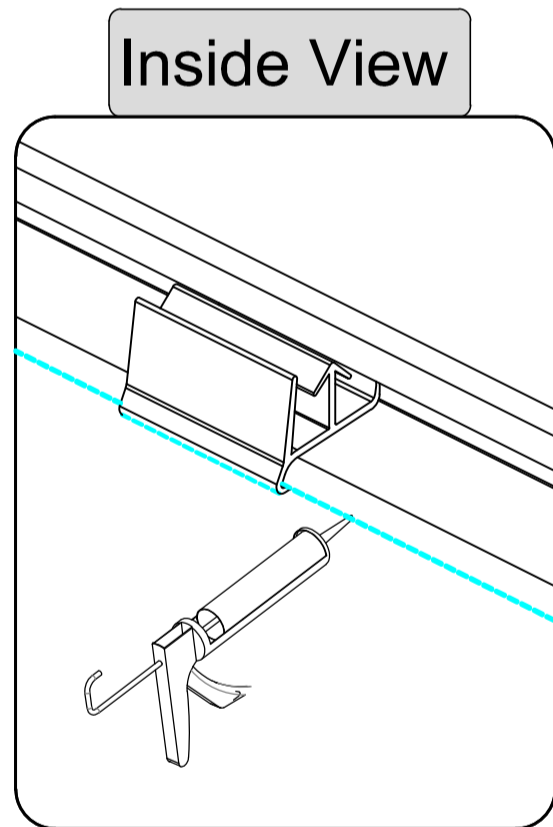
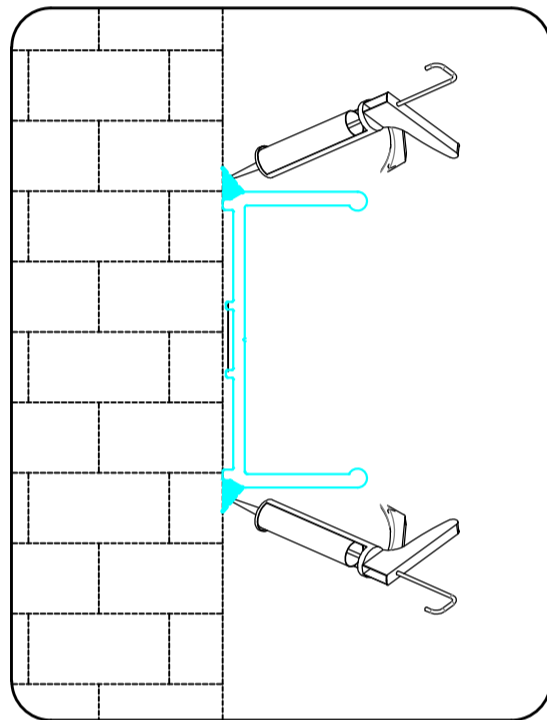
NOTE The surfaces need to be clean and free of debris before applying silicone.

NOTE Ensure that the Shower door closes tightly and opens smoothly.
Apply a good quality silicone sealant along the wall Jamb(E) and Bottom Rail(B) .

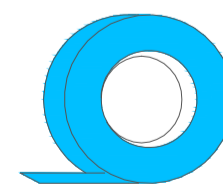
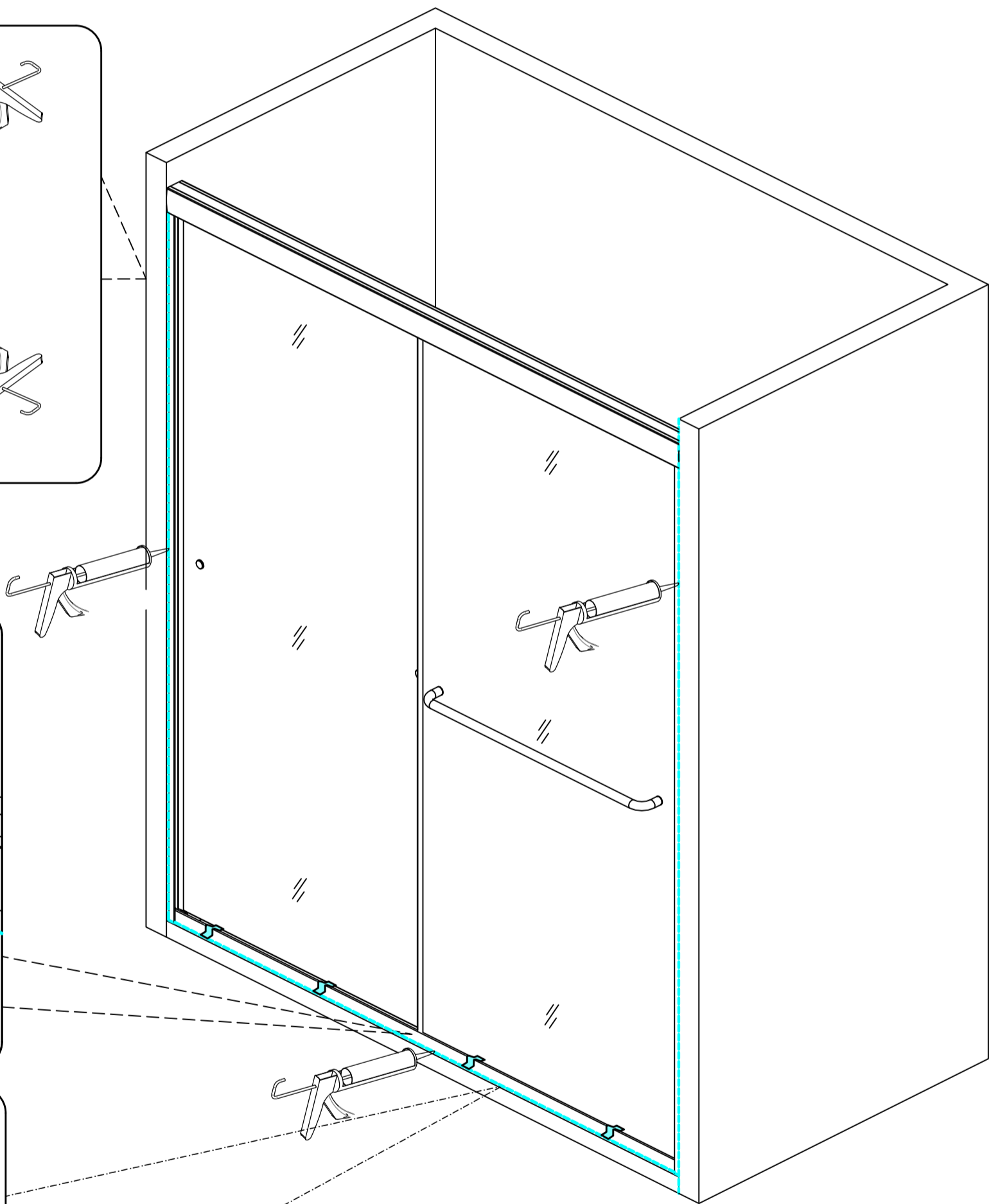
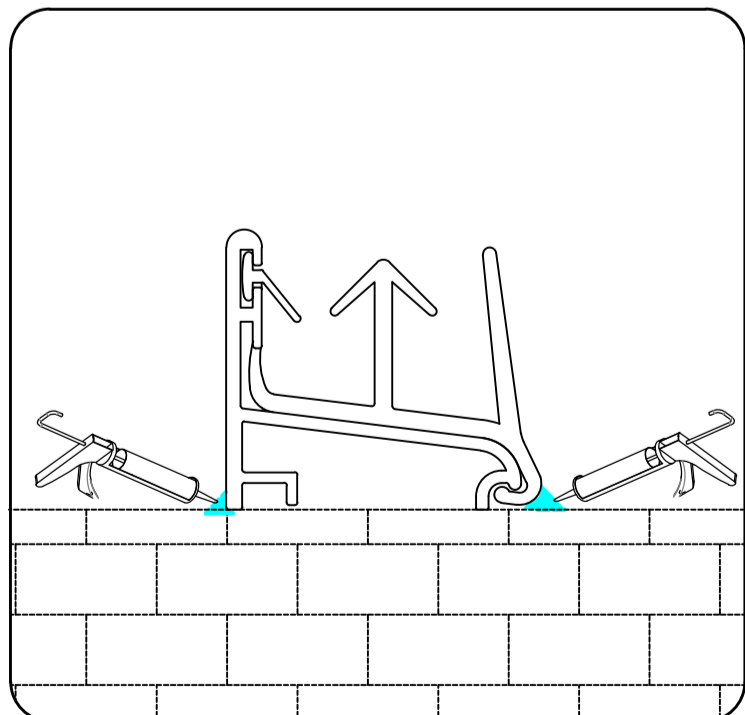
! Allow 24 hours for the silicone to cure before using the shower.



! Apply Silicone Sealant, (not supplied).



Apply silicone around the bottom rail.



Use Painter's Tape to hold the Water seal tight in position while the silicone cures.