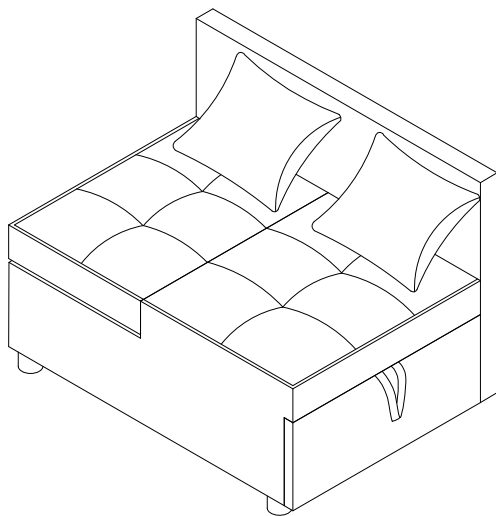







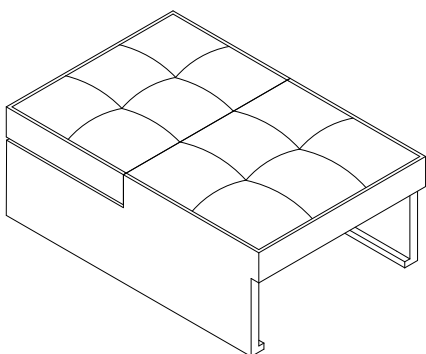
① ASSEMBLY INSTRUCTION

MODEL NO.HC5688

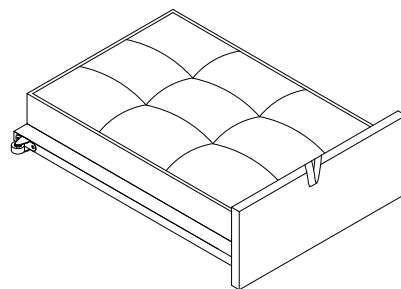


Components/QTY	Components/QTY	Components/QTY
A 4PCS 	B 4PCS 	C 8PCS 
D 8PCS 	E 1PC 	

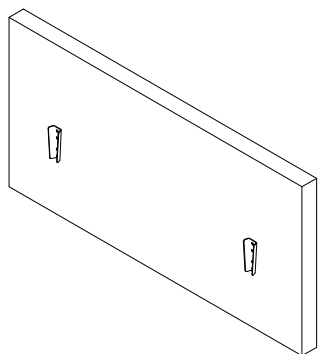
① 1PC



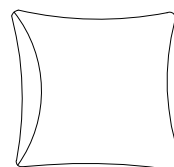
② 1PC



③ 1PC



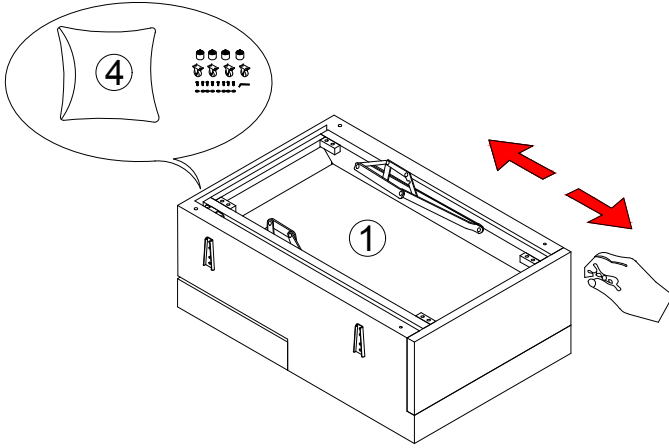
④ 2PCS



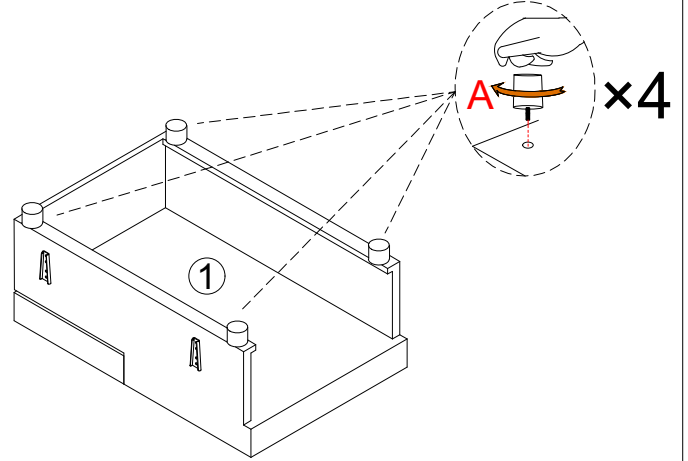
② ASSEMBLY INSTRUCTION

MODEL NO.HC5688

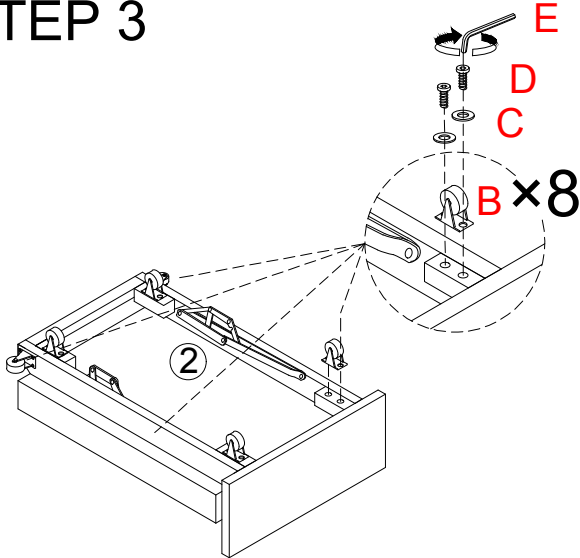
STEP 1



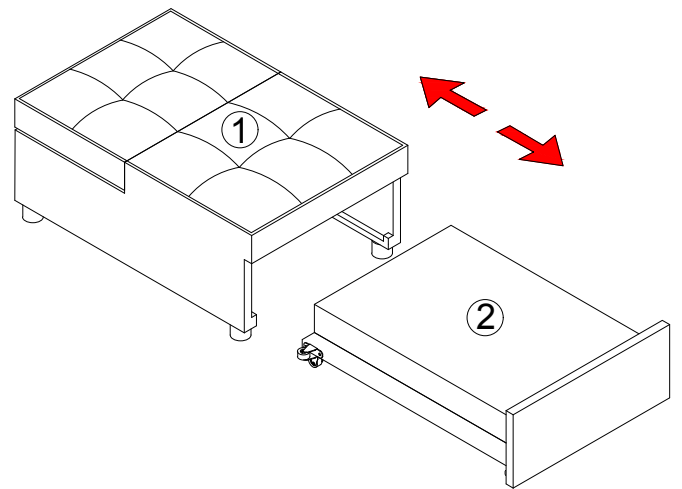
STEP 2



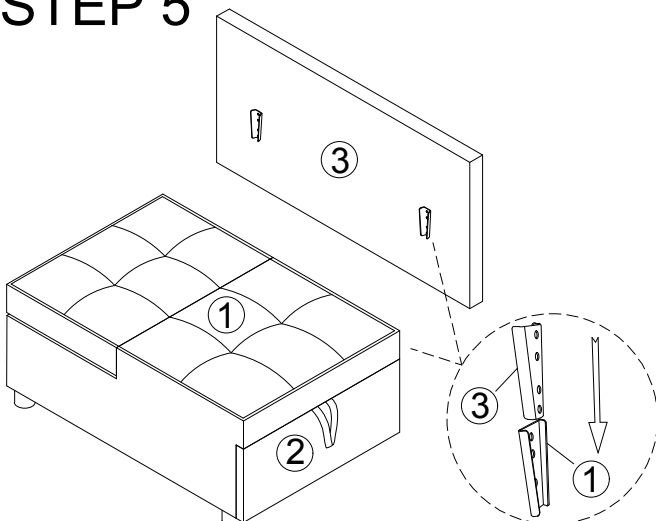
STEP 3



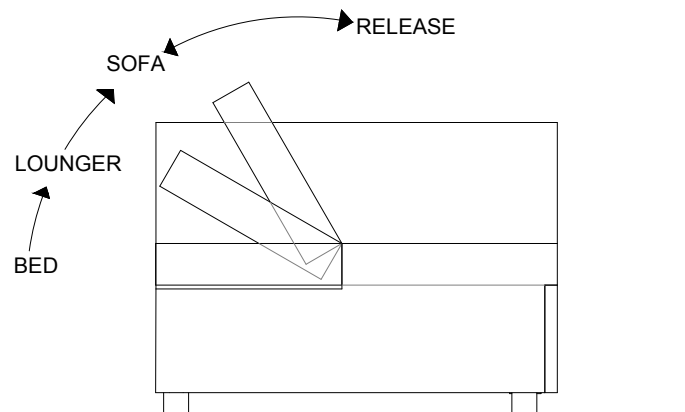
STEP 4



STEP 5



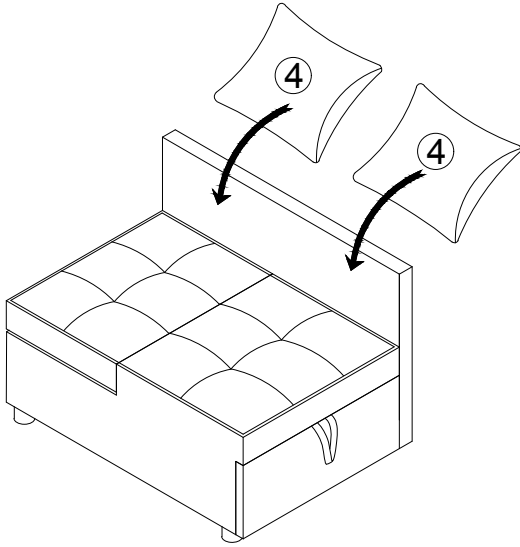
STEP 6



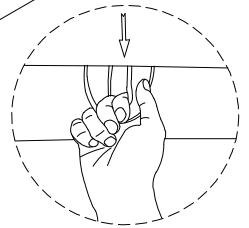
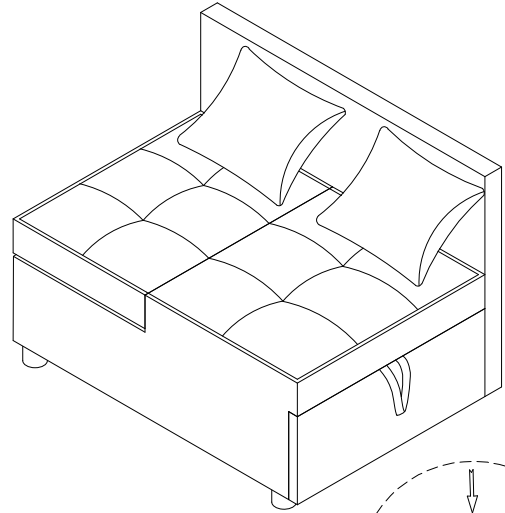
③ ASSEMBLY INSTRUCTION

MODEL NO.HC5688

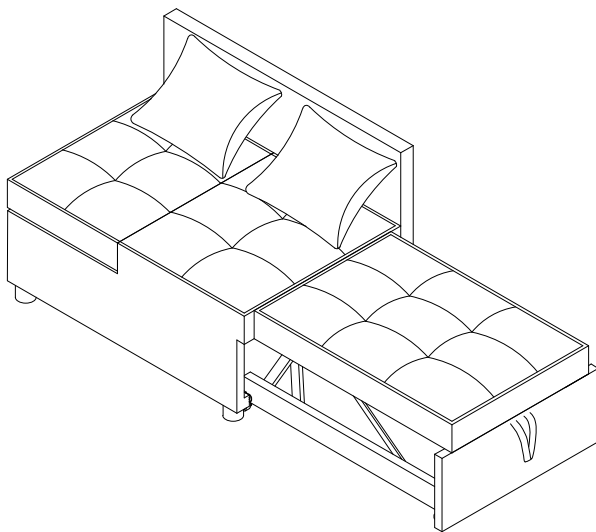
STEP 7



STEP 8



STEP 9



STEP 10

