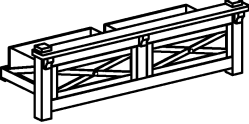
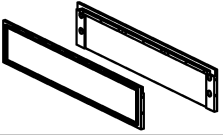
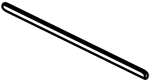

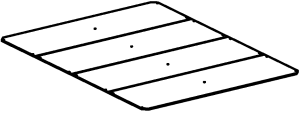








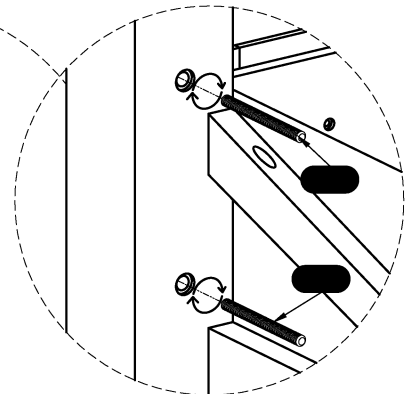
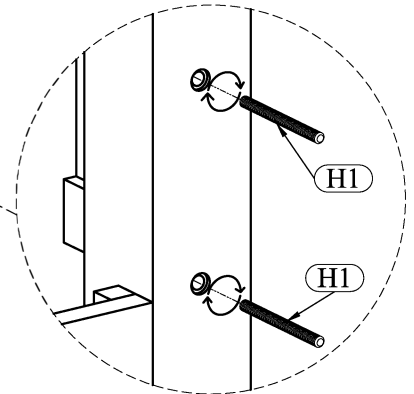
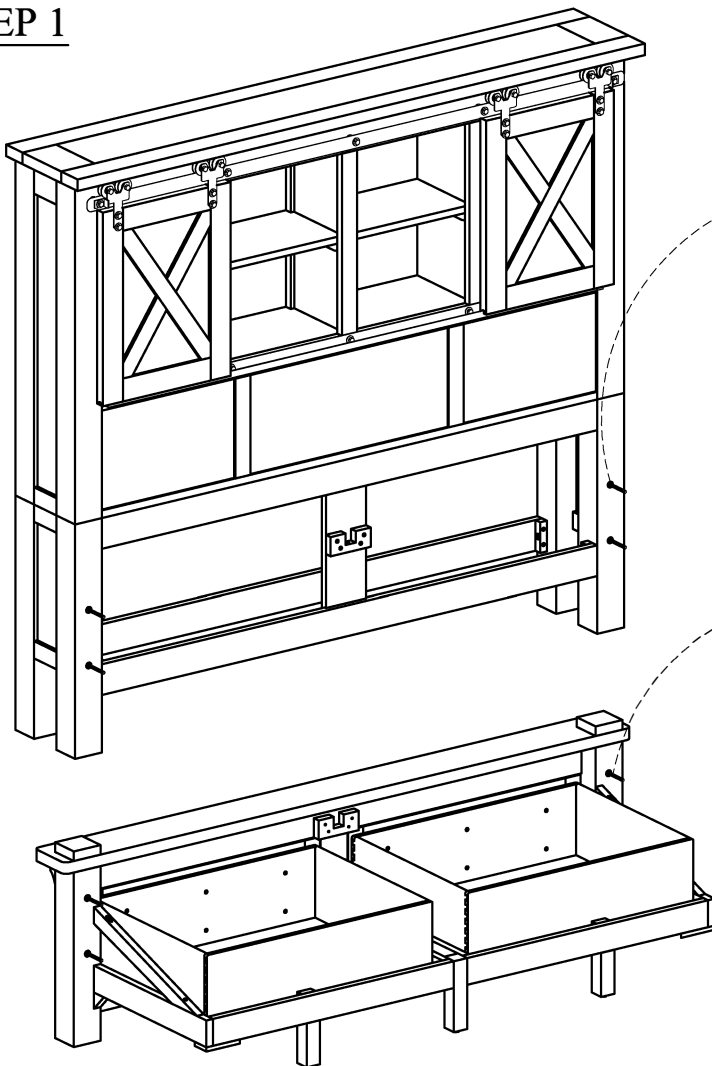
# ASSEMBLY INSTRUCTIONS

QUEEN STORAGE FOOTBOARD (CHARCOAL)  
 QN/EK RAIL W/SUPPORT (CHARCOAL)  
 QUEEN PLATFORM (CHARCOAL)

NO	PARTS LIST	Q' TY
A	 Storage Footboard	1
B	 Bed Rail	2
C	 Center Rail Support	1
D	 Leg Support	2
E	 Mattress Platform	4

NO	PARTS LIST		Q' TY
H1		Ø8 x 90mm Bolt	8
H2		M8 Hexagon Nut	8
H3		Ø10 x Ø15mm Lock Washer	8
H4		2x14x25mm Arc Washer	8
H5		Scale 13 Wrench	1
H6		Ø4 x 25mm Screw	21

## STEP 1



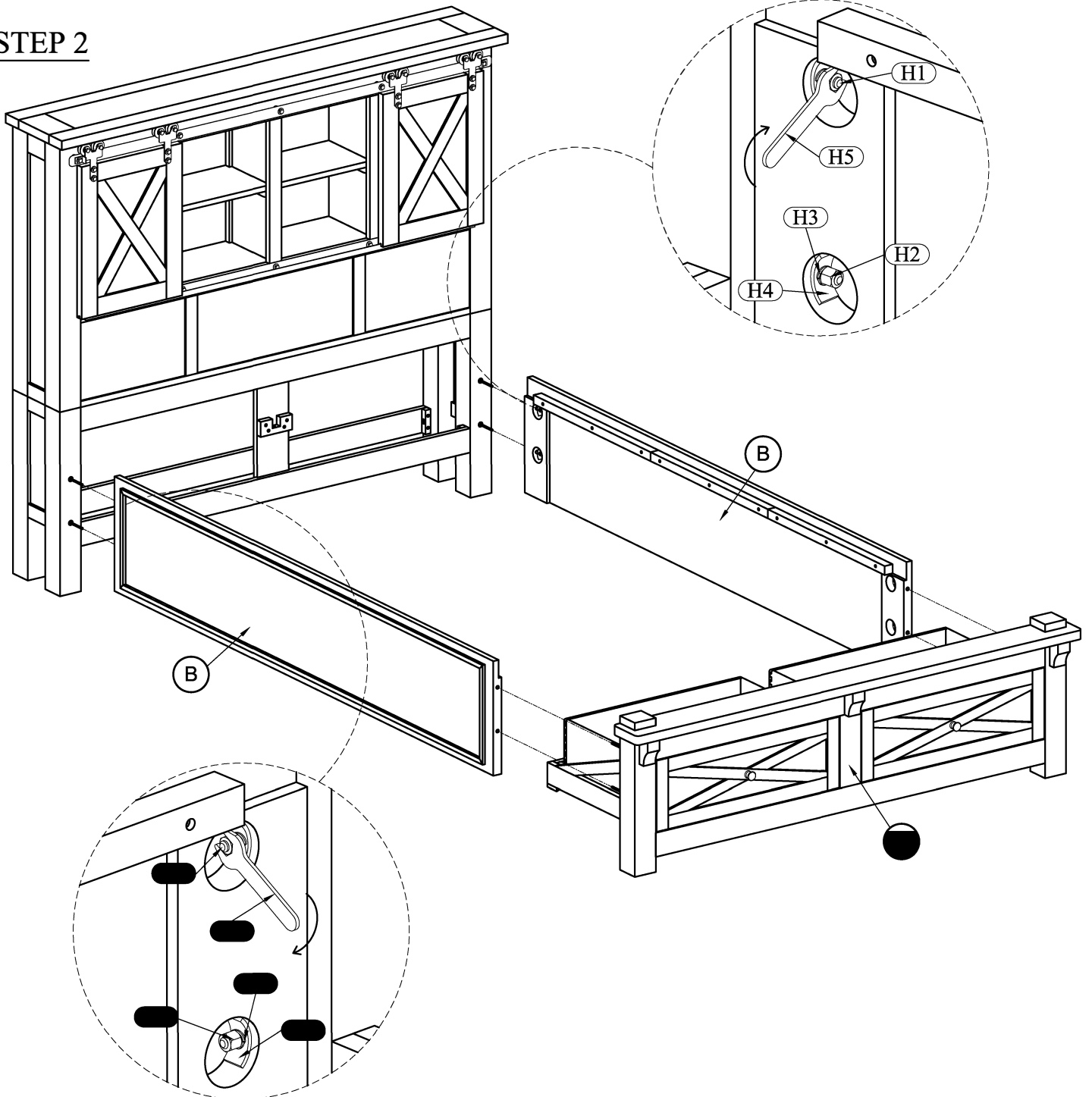
# ASSEMBLY INSTRUCTIONS

QUEEN STORAGE FOOTBOARD (CHARCOAL)

QN/EK RAIL W/SUPPORT (CHARCOAL)

QUEEN PLATFORM (CHARCOAL)

## STEP 2



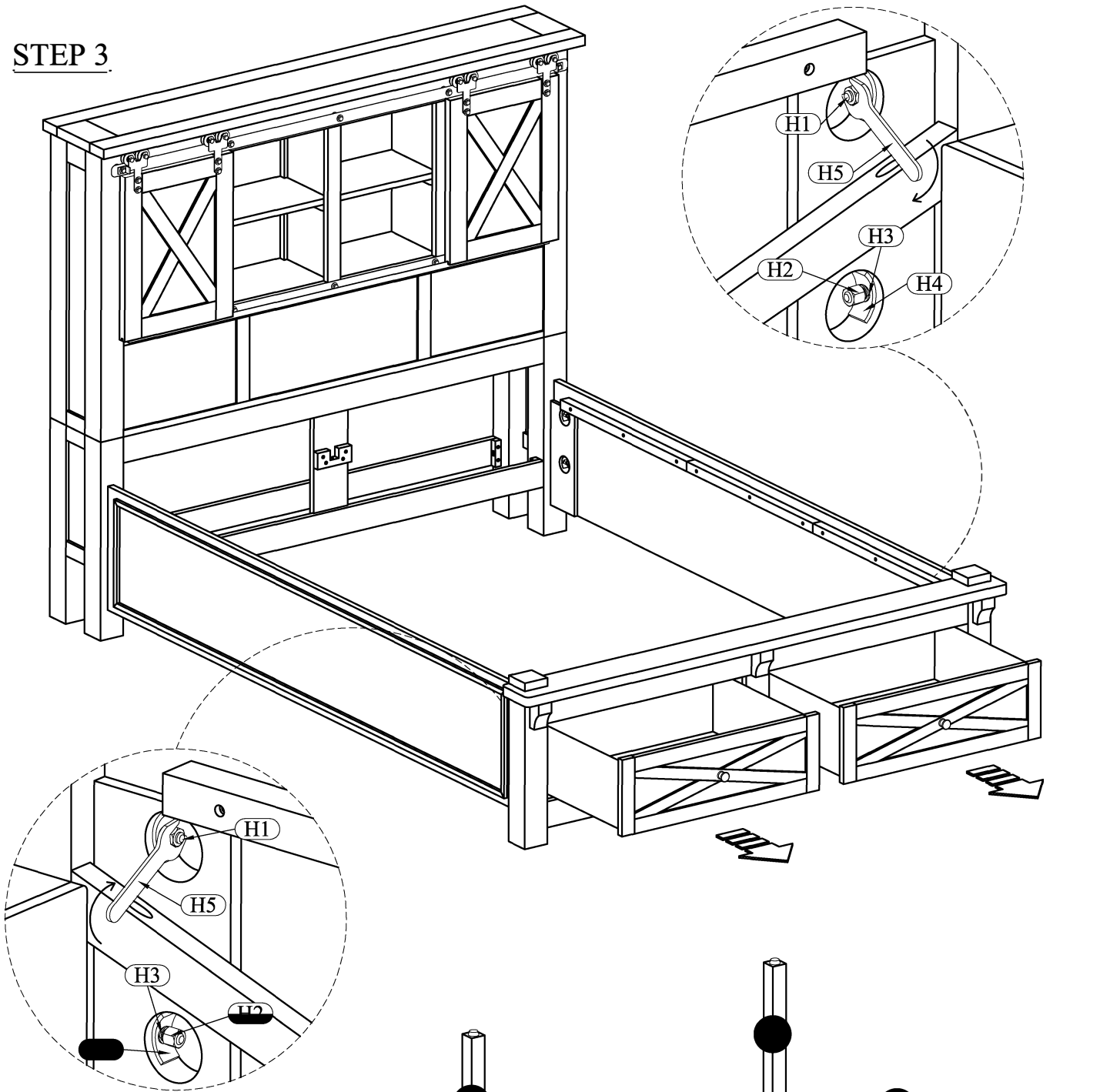
# ASSEMBLY INSTRUCTIONS

QUEEN STORAGE FOOTBOARD (CHARCOAL)

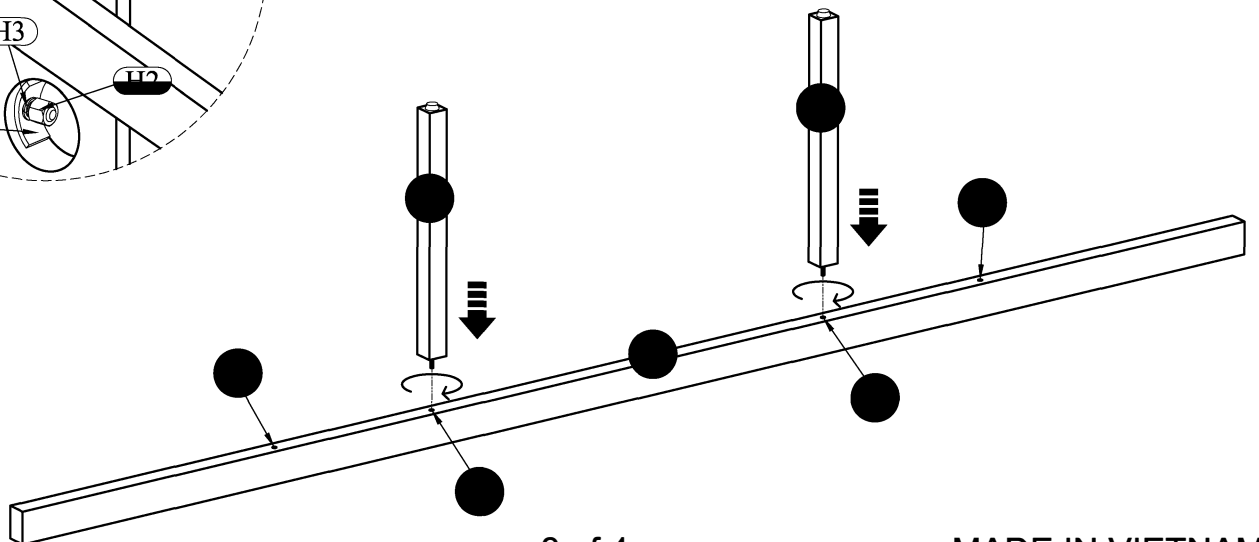
QN/EK RAIL W/SUPPORT (CHARCOAL)

QUEEN PLATFORM (CHARCOAL)

## STEP 3



## STEP 4



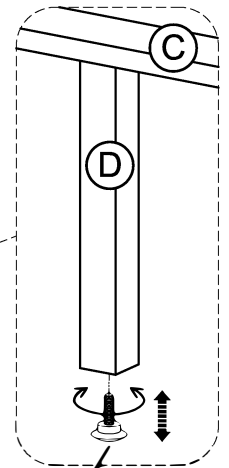
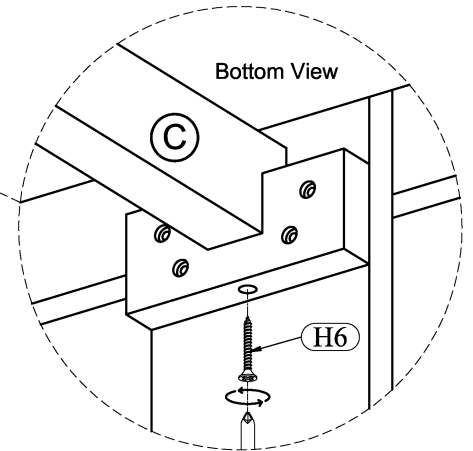
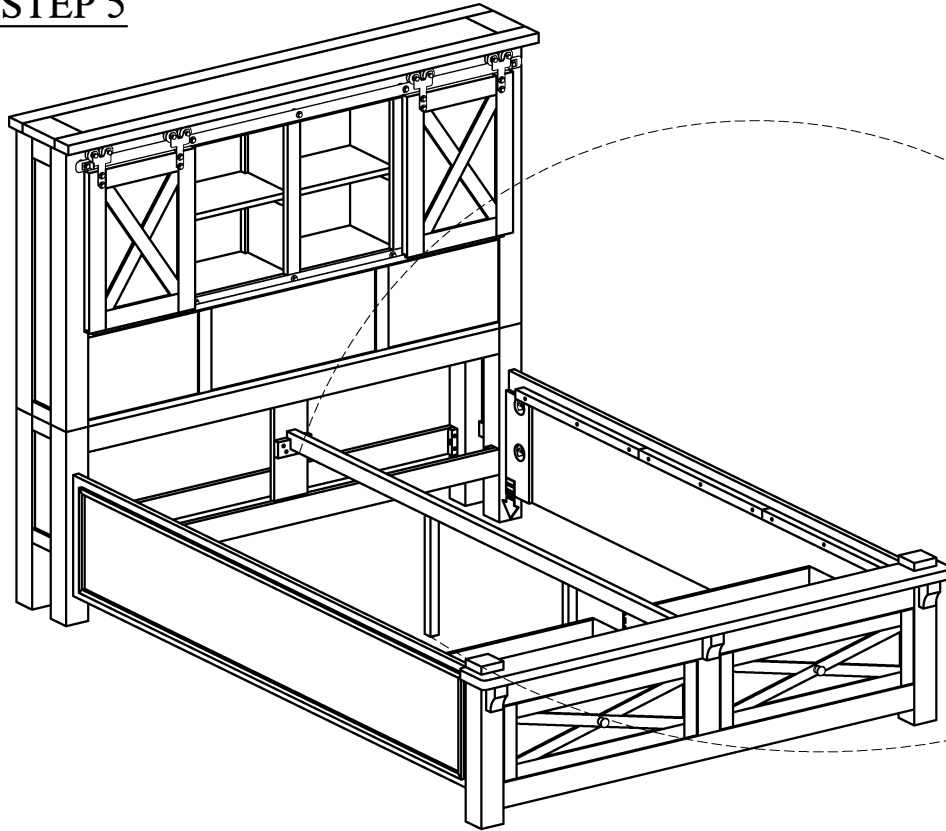
# ASSEMBLY INSTRUCTIONS

QUEEN STORAGE FOOTBOARD (CHARCOAL)

QN/EK RAIL W/SUPPORT (CHARCOAL)

QUEEN PLATFORM (CHARCOAL)

## STEP 5



## STEP 6

