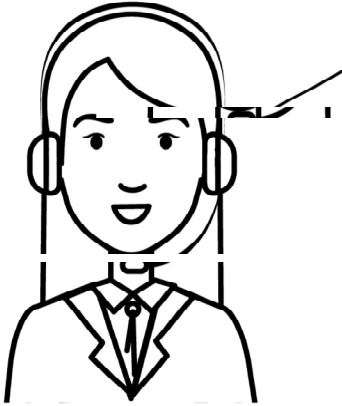
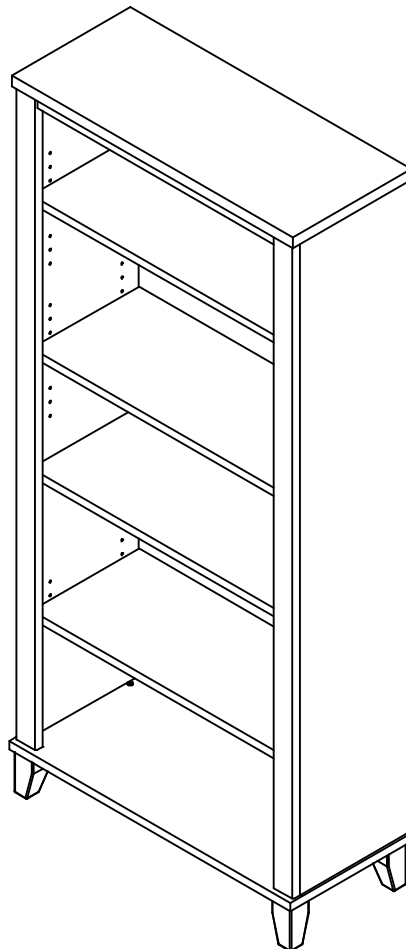


Assembly Guide



5 Shelf Bookcase



Lot Code #

Keep manual for future reference.

Get Ready to Assemble

For best results, keep these tips in mind:

- ① We know you want to finish this assembly as quickly as possible, but trust us: you'll have a better experience if you take it one step at a time.
- ② Give yourself some room to work near where you want the fully assembled product.
- ③ If your floor isn't carpeted, assemble this product on the empty carton to avoid scratching.
- ④ Do you have a friend who owes you a favor? Some steps may go a little easier with a second set of hands.

DOs

- ✔ Use a #2 Phillips head screwdriver (or other handheld tools as indicated)
- ✔ Wear safety glasses at all times during assembly
- ✔ Carefully follow the instructions in this guide and complete all steps in order
- ✔ Give us a call if you're having trouble with a particularly tricky step

DON'Ts

- ✘ We know power tools are quick and easy, but you shouldn't use them when assembling this product (unless otherwise specified)
- ✘ Never move your furniture with items inside or resting on the surface
- ✘ Do not attempt to use this product before all steps have been completed



IMPORTANT SAFETY INFORMATION



PLEASE READ WARNINGS

Improper use can cause safety hazards, or damage to your furniture and household items.

Warning	Do	Don't	Why it's important
Serious injury may occur.	<ul style="list-style-type: none">Assemble following all instructions using all indicated parts and hardware provided.Install tip-over restraint provided.Install every indicated nail and/or screw.Verify furniture is stable on it's own.Place heaviest items in the lower drawers or shelves.Remove items that might tempt kids to climb, such as toys and remote controls from the top and upper shelves of furniture.	<ul style="list-style-type: none">Do not move unit when loaded.Do not load with a television or other heavy equipment.Do not exceed the maximum load limits stated in the instructions.Do not allow children to stand, climb, or hang on furniture.	Improper assembly, use or loading can lead to product instability, tip-over or collapse.

Advertencia	Hacer	No	Por qué es importante
Se pueden producir lesiones graves.	<ul style="list-style-type: none">Ensamble siguiendo todas las instrucciones utilizando todas las piezas y ferretería indicados provistos.Instale la retracción de vuelco provista.Instale todos los clavos y / o tornillos indicados.Verifique que los muebles sean estables por sí mismos.Coloque los artículos más pesados en los cajones o estantes inferiores.Retire los artículos que puedan tentar a los niños a trepar, como juguetes y controles remotos de los estantes superiores y superiores de los muebles.	<ul style="list-style-type: none">No mueva la unidad cuando esté cargada.No cargue con un televisor u otro equipo pesado.No exceda los límites máximos de carga establecidos en las instrucciones.No permita que los niños se paren, trepen o cuelguen de muebles.	El ensamblaje, uso o carga inadecuados pueden provocar inestabilidad del producto, vuelco o colapso.

IMPORTANT SAFETY INFORMATION

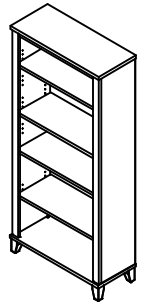
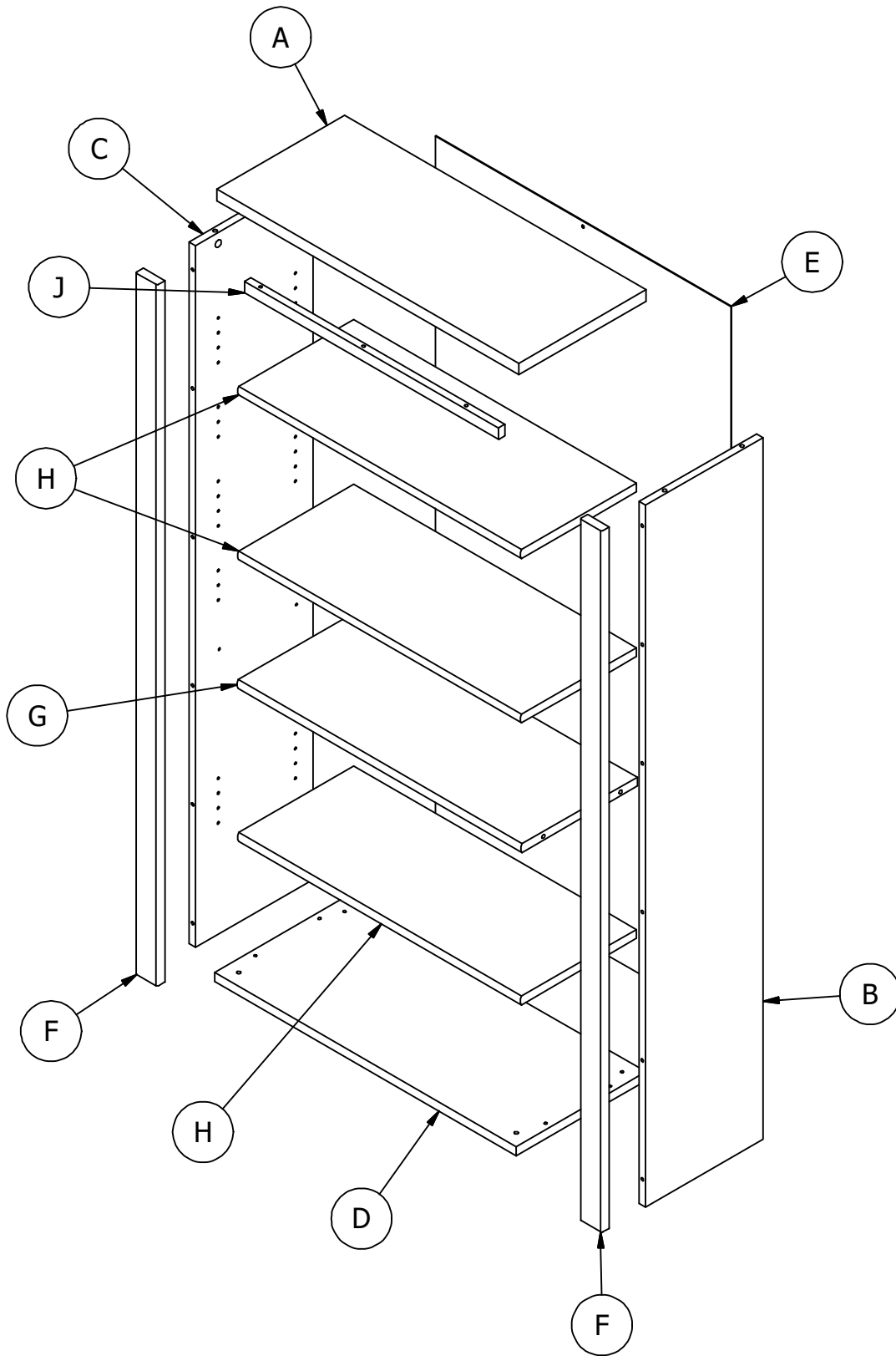


PLEASE READ WARNINGS

Improper use can cause safety hazards, or damage to your furniture and household items.

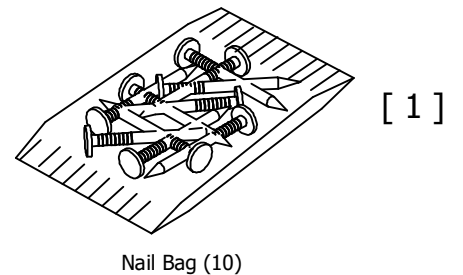
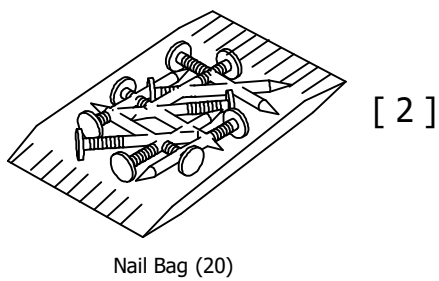
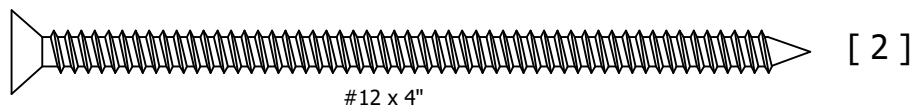
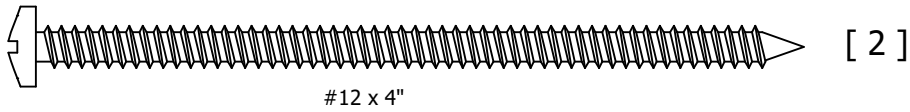
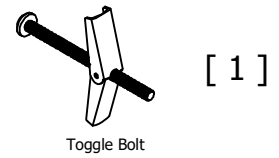
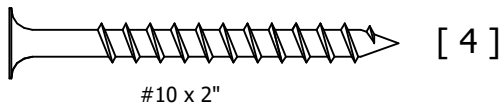
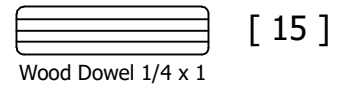
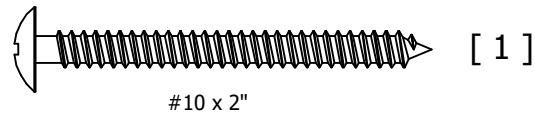
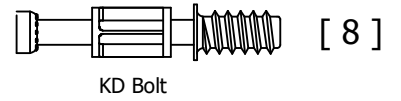
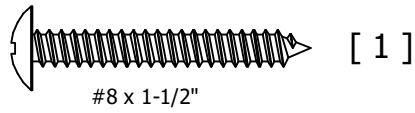
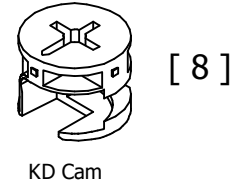
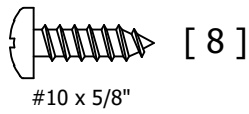
Avertissement	Faire	Ne le fais pas	Pourquoi c'est important
Des blessures graves peuvent survenir.	<ul style="list-style-type: none">• Assemblez en suivant toutes les instructions en utilisant toutes les pièces et le matériel indiqués fournis.• Installez la réintégration de basculement fournie• Installez tous les clous et / ou vis indiqués.• Vérifiez que les meubles sont stables par eux-mêmes.• Placez les articles les plus lourds dans les tiroirs ou les étagères inférieurs.• Retirez les objets qui pourraient inciter les enfants à grimper, comme les jouets et les télécommandes des étagères supérieure et supérieure des meubles.	<ul style="list-style-type: none">• Ne déplacez pas l'unité lorsqu'elle est chargée.• Ne chargez pas avec un téléviseur ou un autre équipement lourd.• Ne dépassez pas les limites de charge maximale indiquées dans les instructions.• Ne laissez pas les enfants se tenir debout, grimper ou s'accrocher aux meubles.	Un assemblage, une utilisation ou un chargement incorrects peuvent entraîner une instabilité du produit, un renversement ou un effondrement.

Get to know your Boards



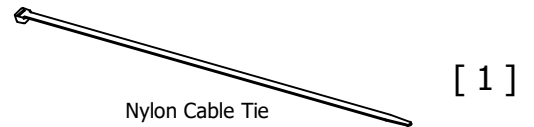
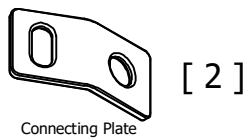
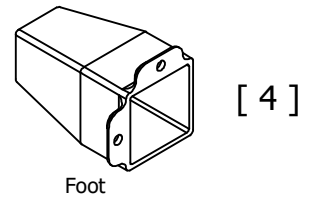
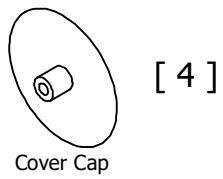
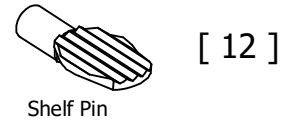
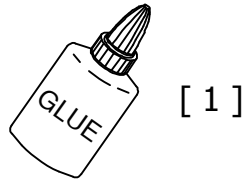
Get to know your Fasteners

Fasteners are shown actual size.



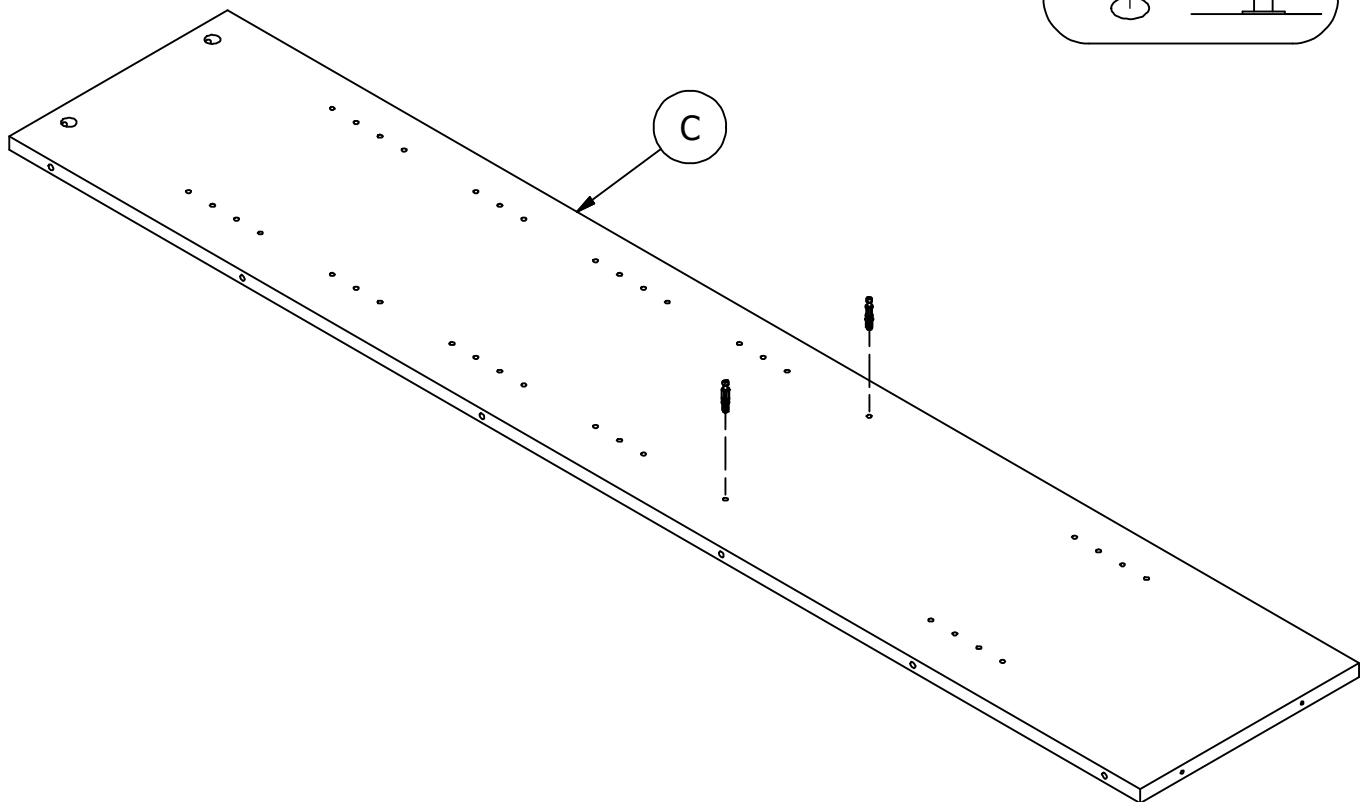
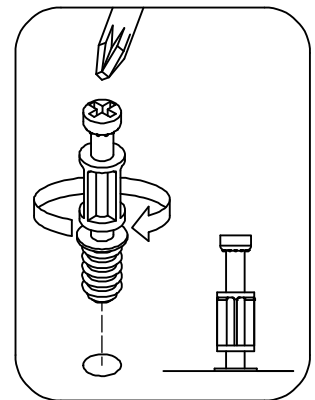
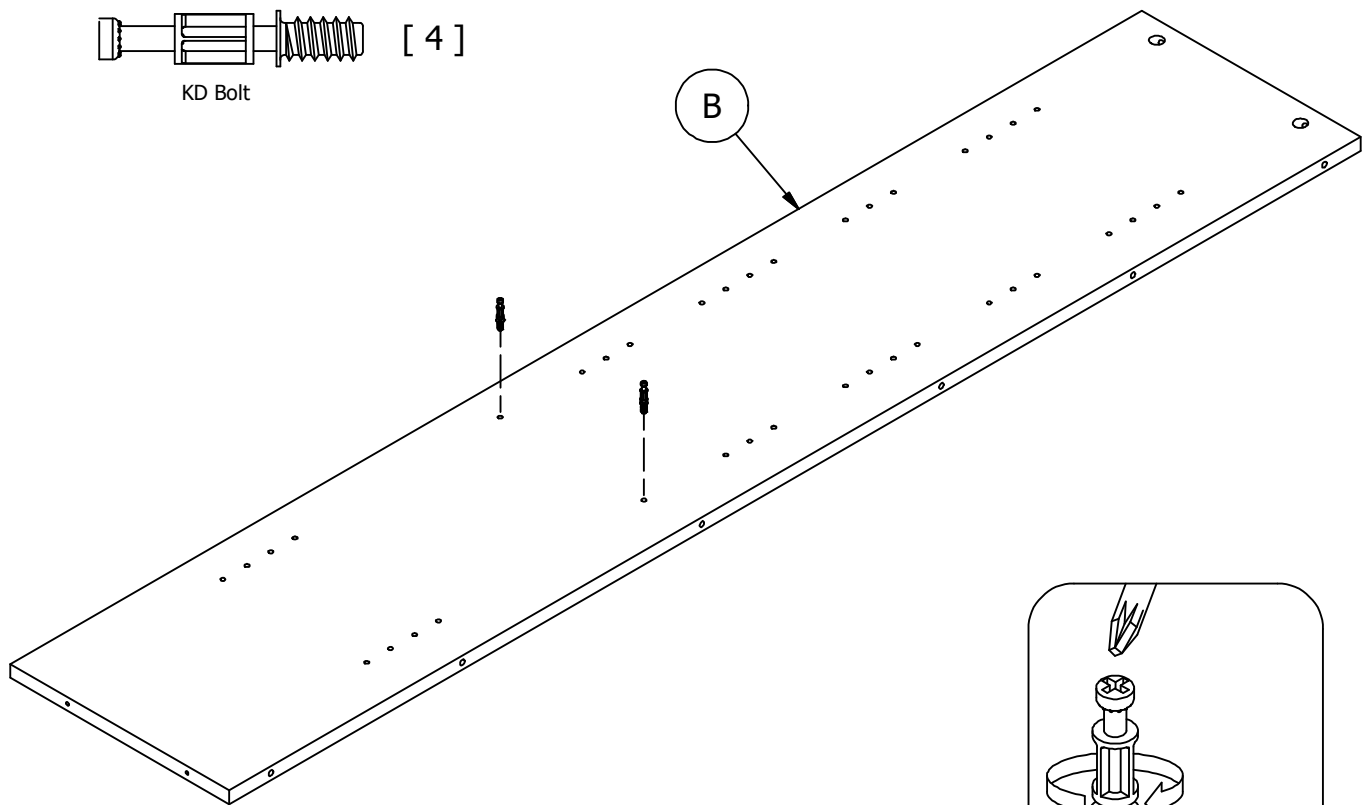
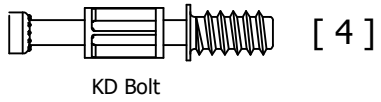
Get to know your Hardware

Hardware not to scale.



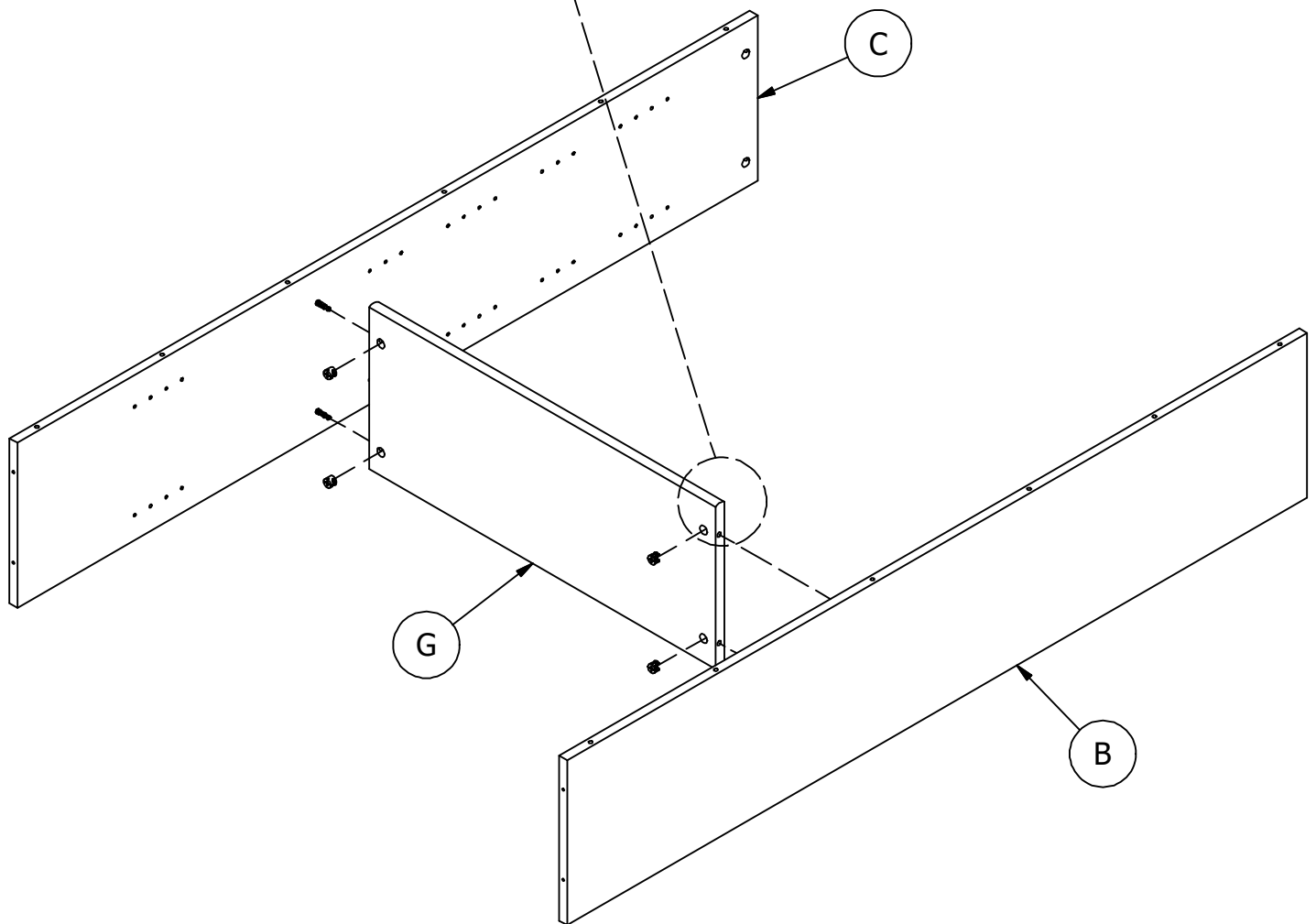
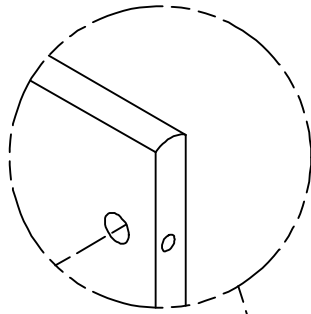
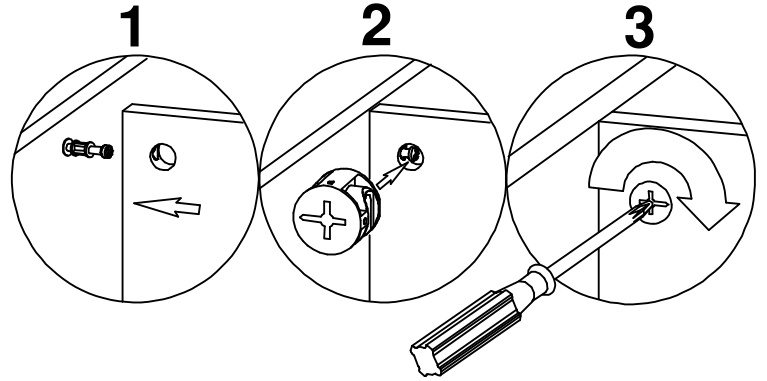
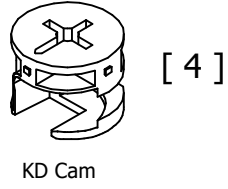
STEP 1

Prepare Panels



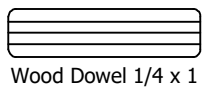
STEP 2

Assemble Shelf

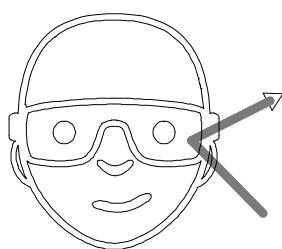
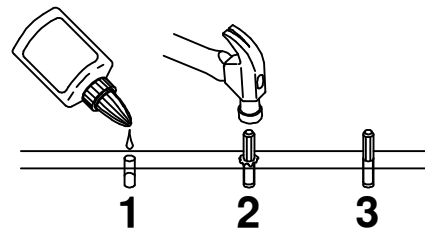


STEP 3

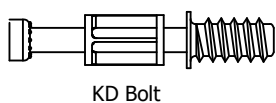
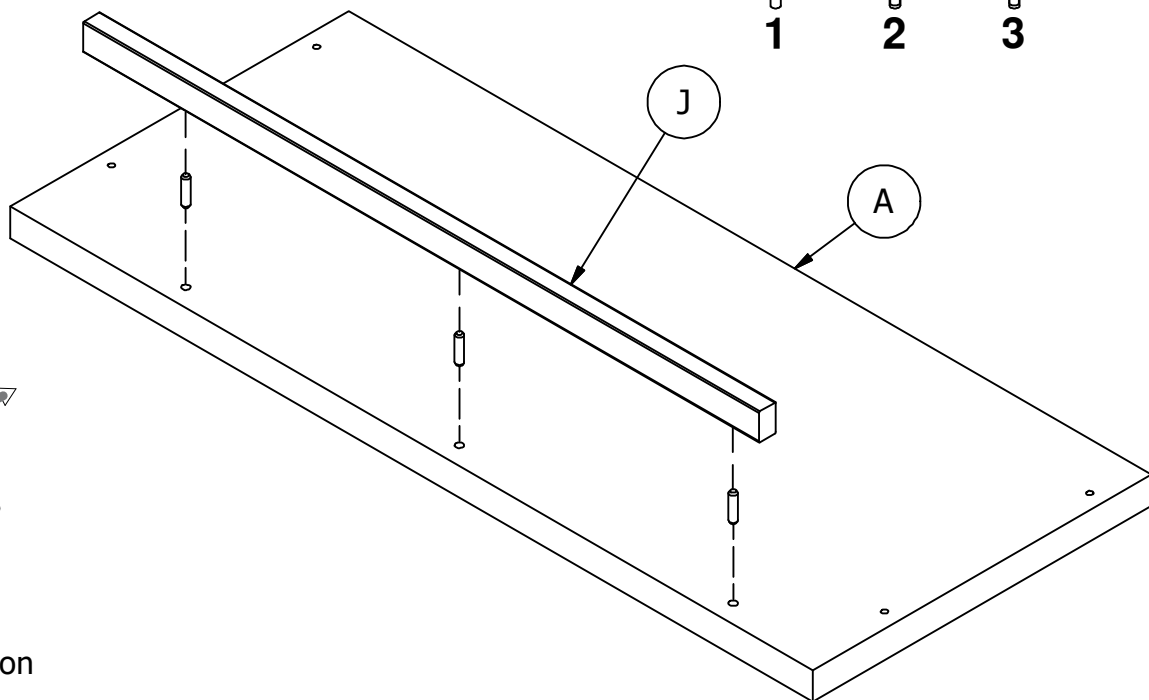
Prepare Top



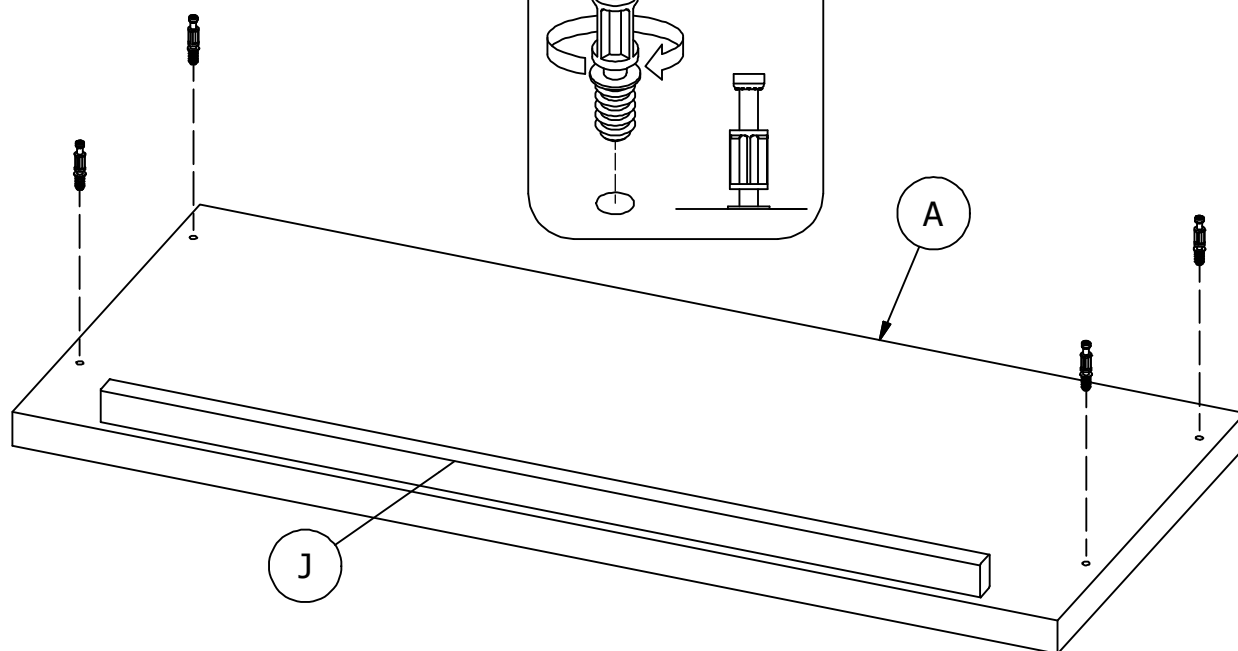
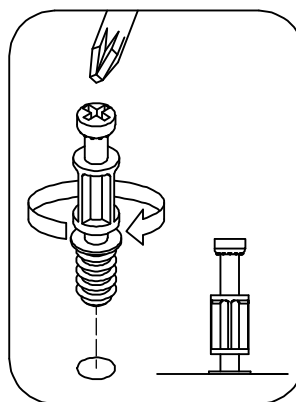
[3]



Safety glasses
Gafas de seguridad
Lunettes de protection

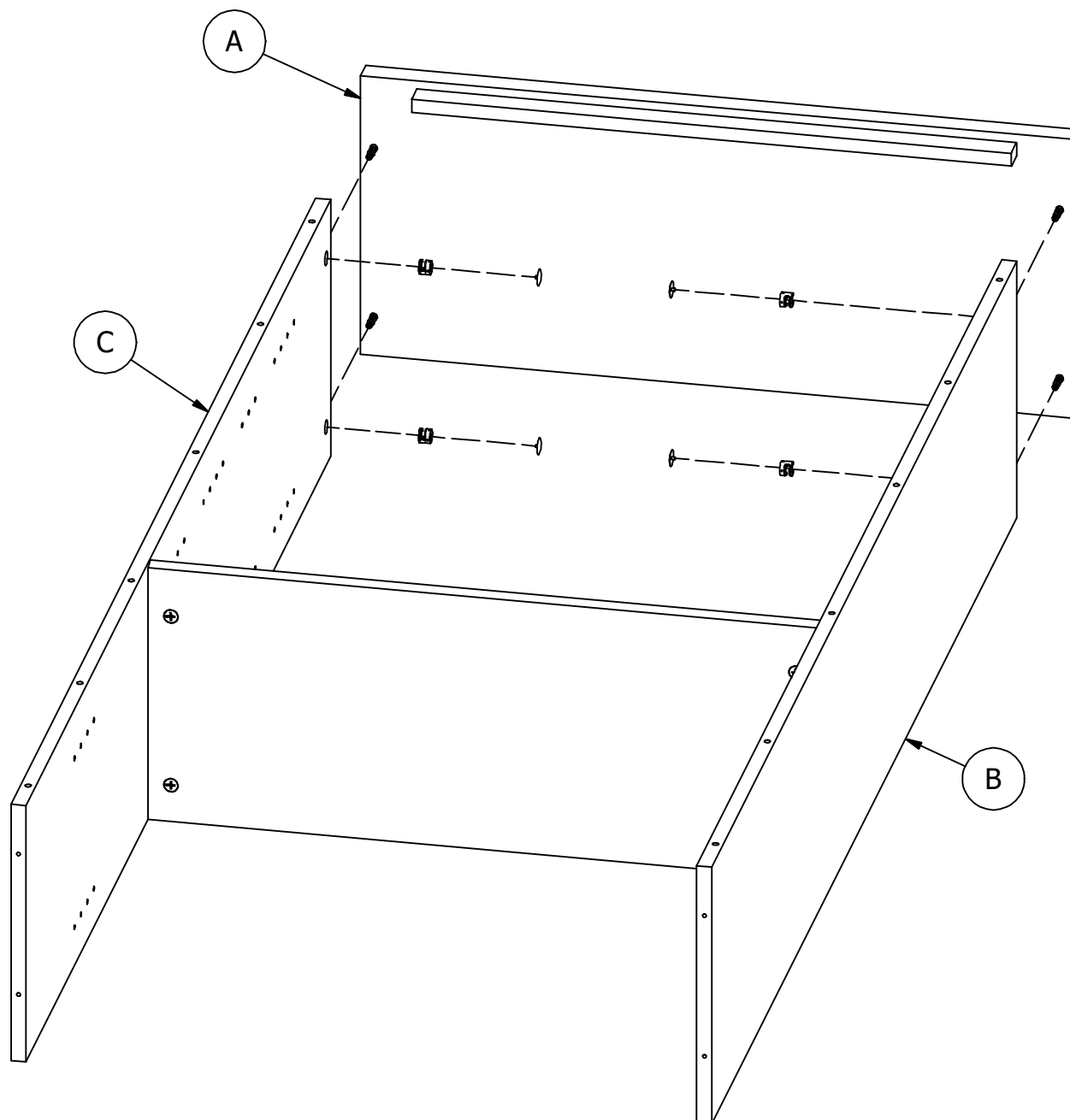
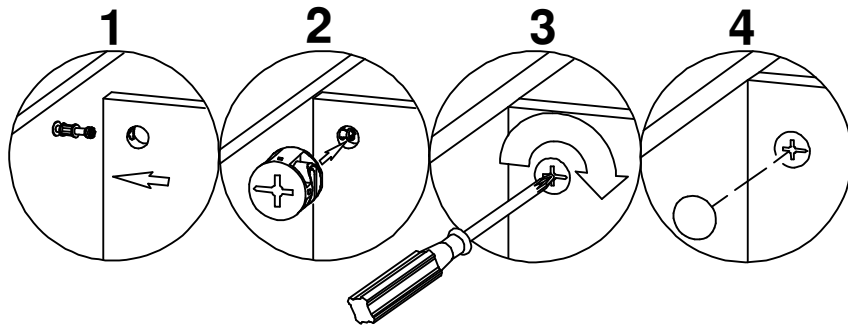
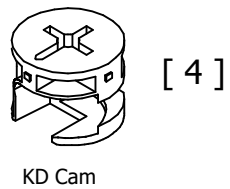


[4]



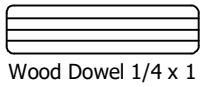
STEP 4

Attach Top

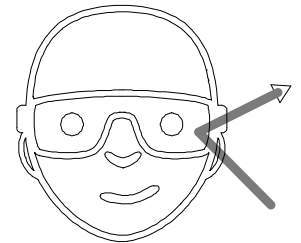
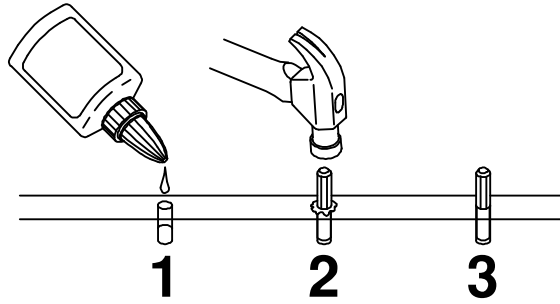


STEP 5

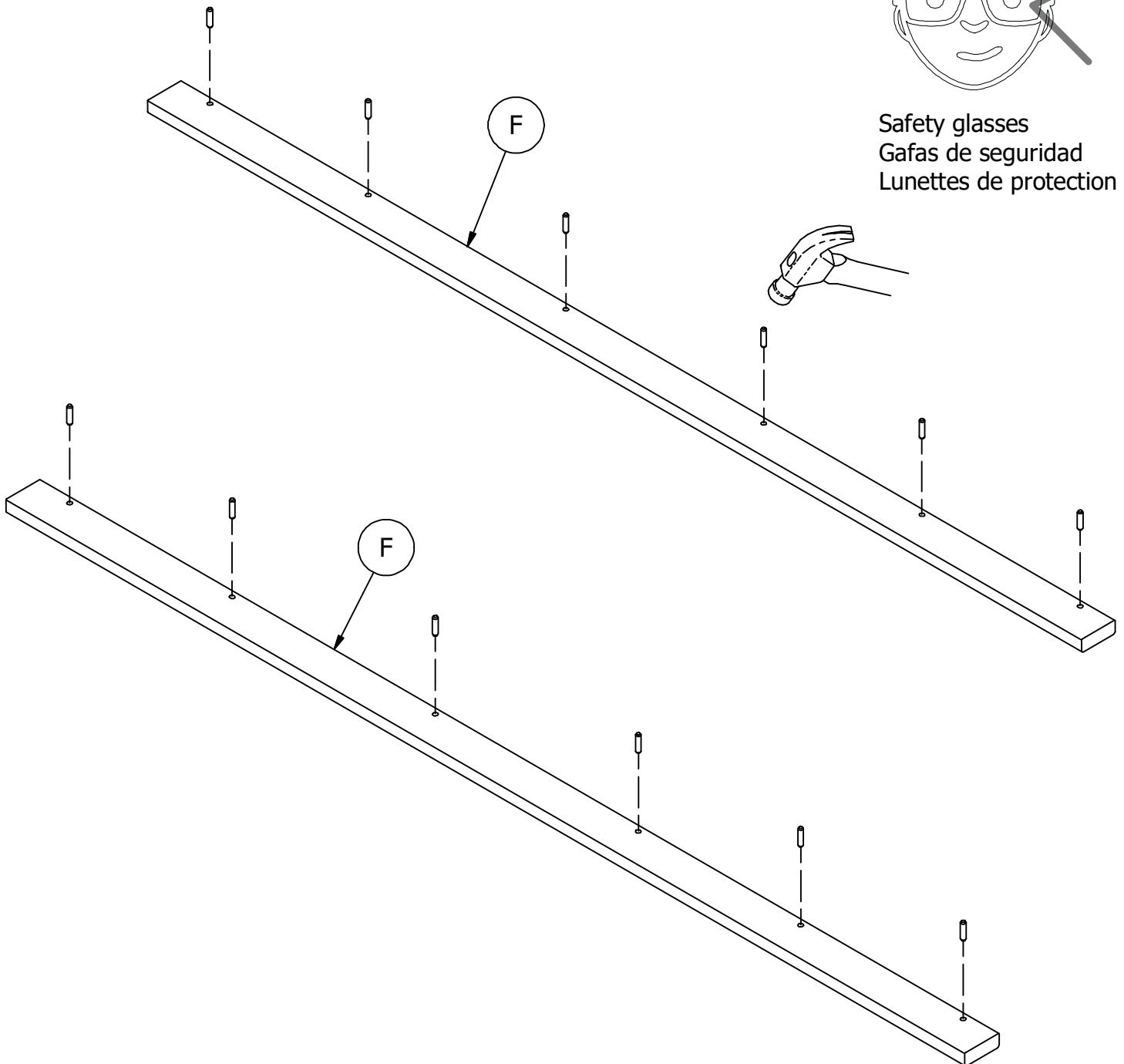
Prepare Rails



[12]

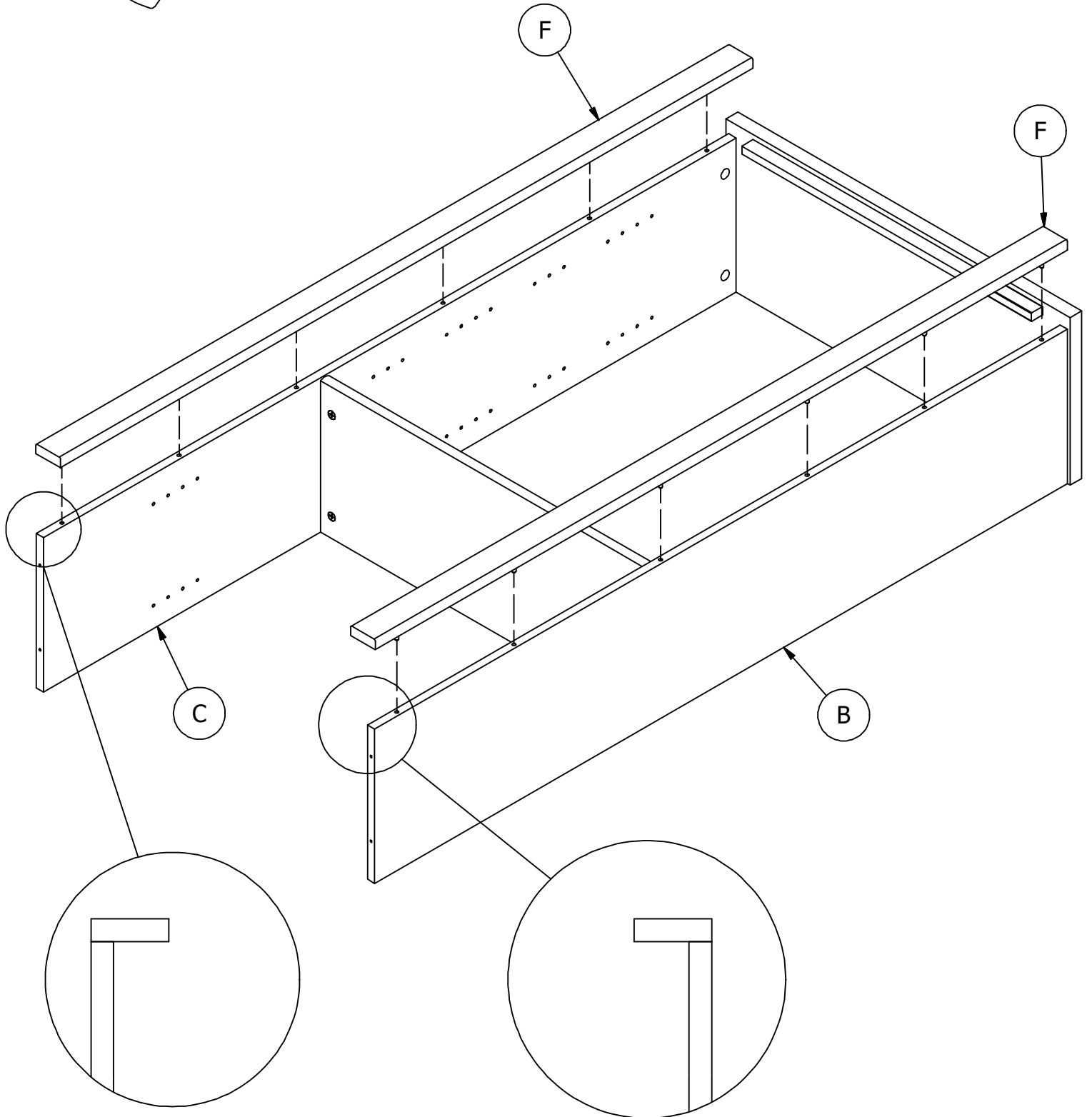


Safety glasses
Gafas de seguridad
Lunettes de protection



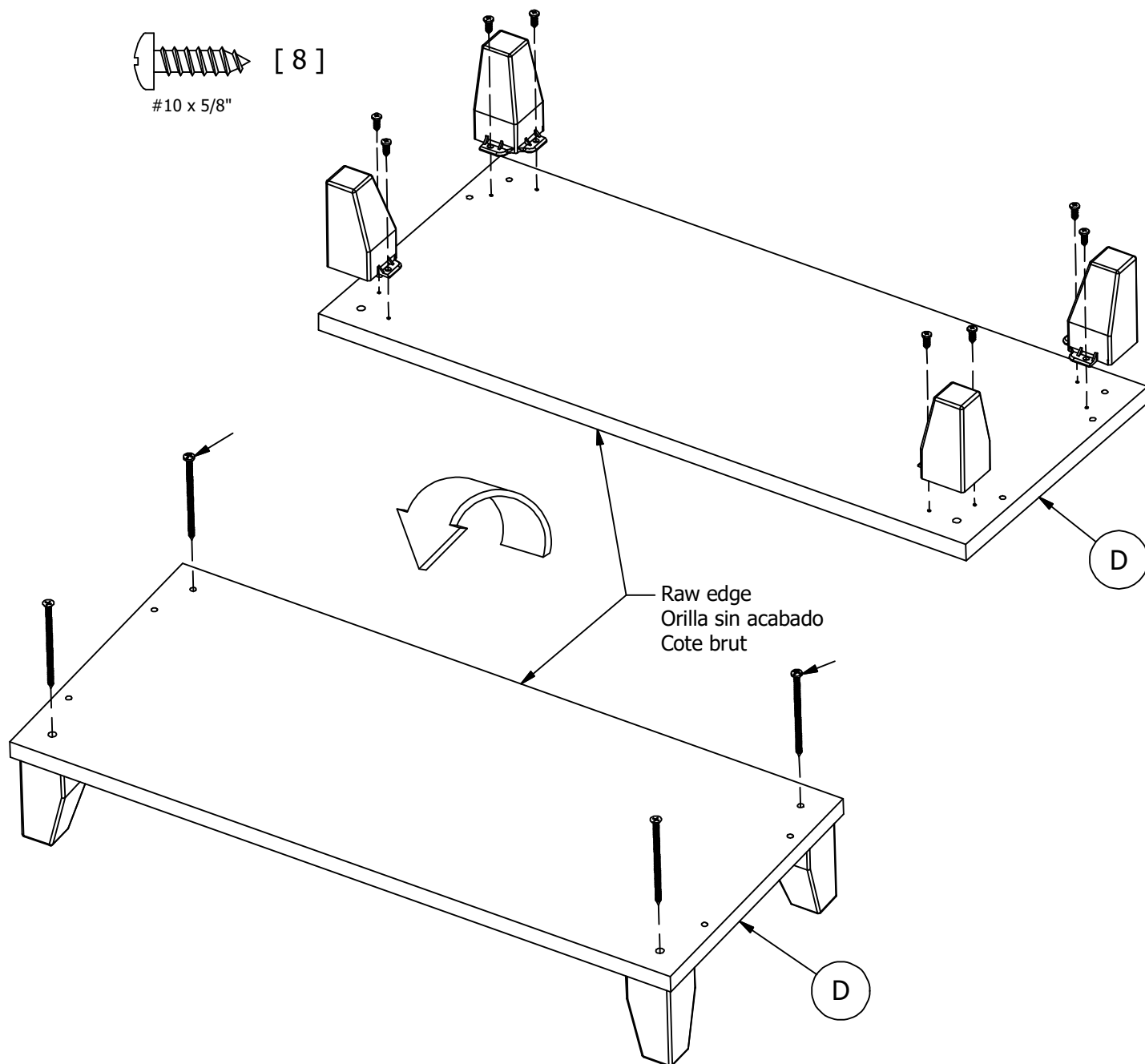
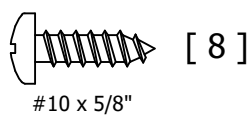
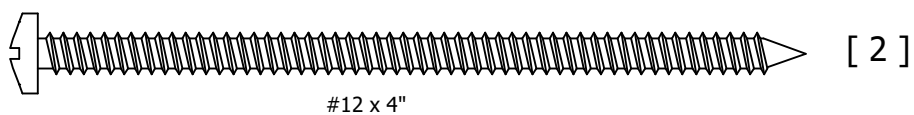
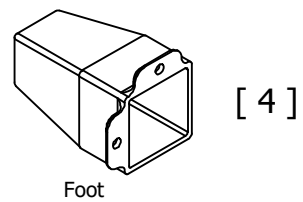
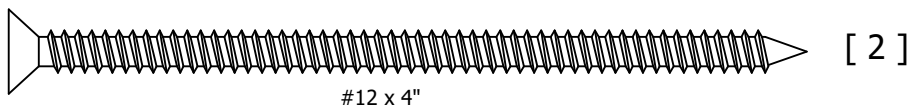
STEP 6

Attach Rails



STEP 7

Assemble Base



STEP 8

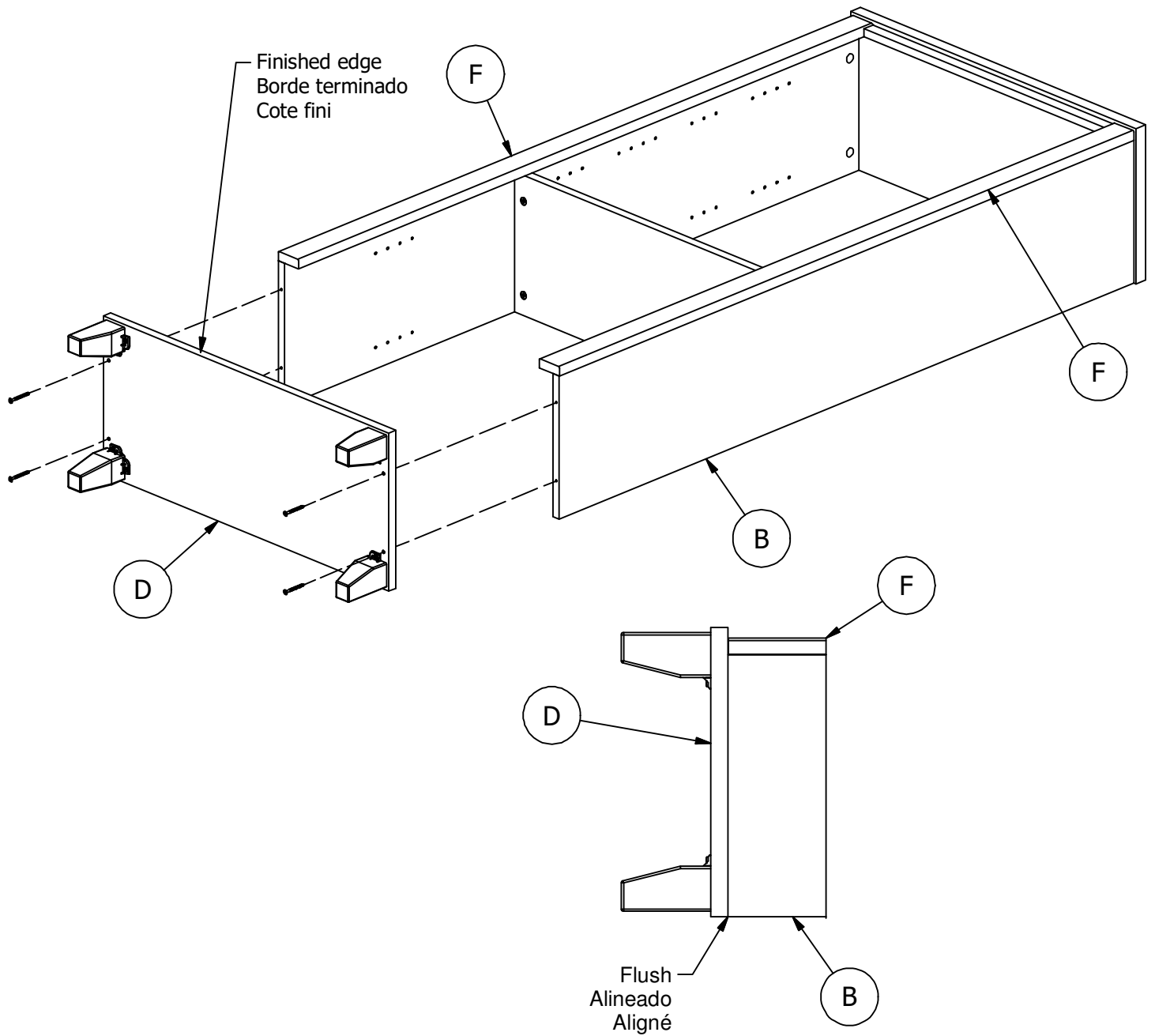
Attach Base

H23491



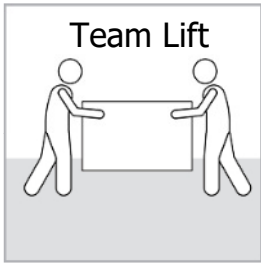
[4]

#10 x 2"

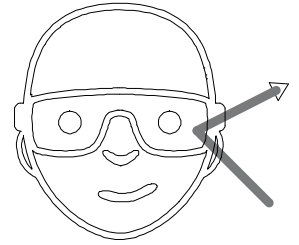
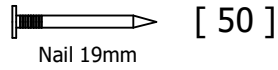


STEP 9

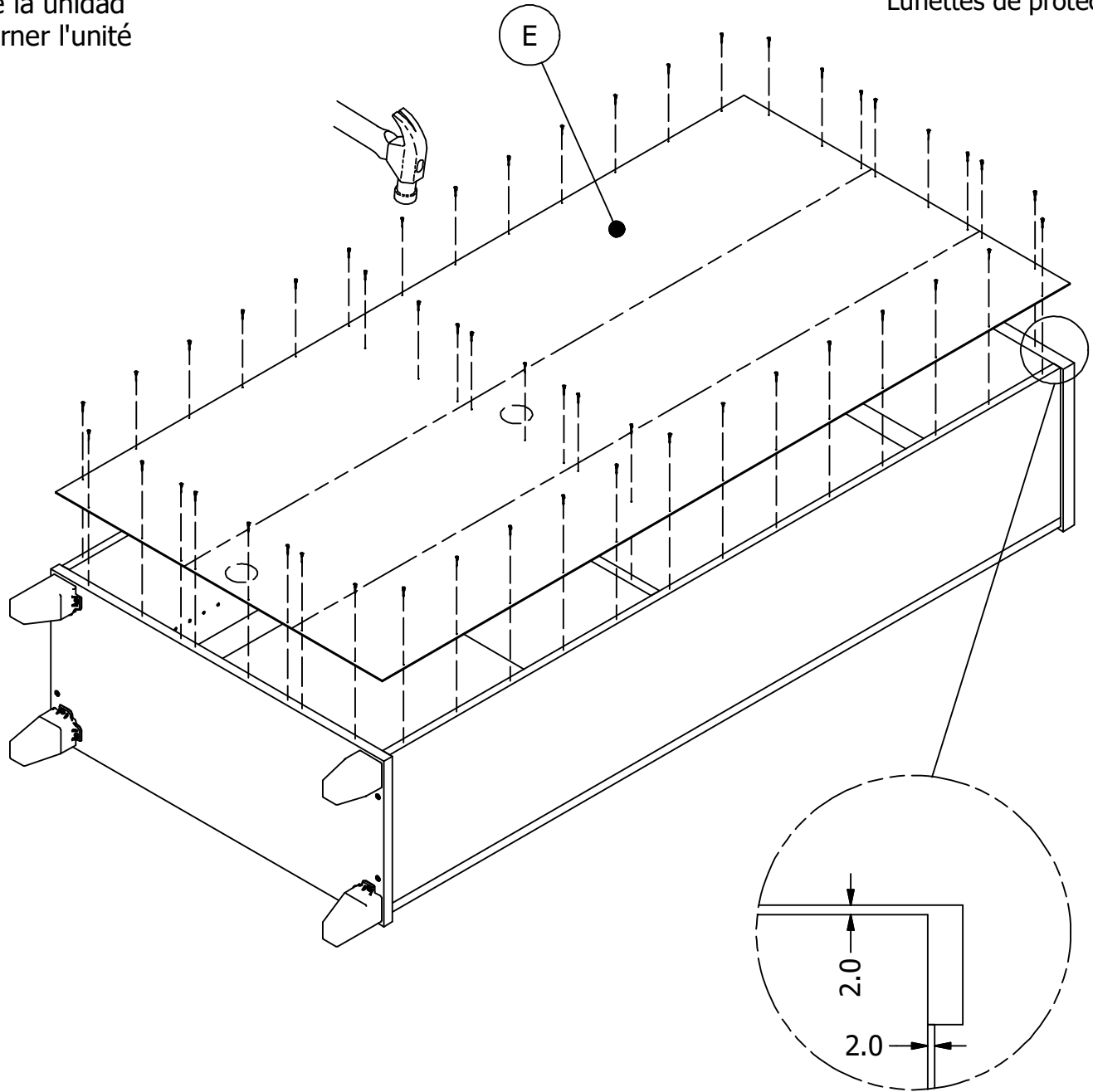
Attach Back Panel



Flip unit over
Voltee la unidad
Retourner l'unité



Safety glasses
Gafas de seguridad
Lunettes de protection



STEP 10

Prepare Wall

Secure unit to the wall with a tip-over restraint.

Unidad de seguro a la pared con un sistema de retención de un vuelco.

Fixer l'unité au mur avec un dispositif de retenue renversement.

1. Place unit in desired location.
2. Locate wall stud nearest unit center. **FIG A**
3. On wall, mark center of stud location 1" below top of unit. **FIG A**
4. If a wall stud cannot be located mark hollow wall at unit center. **FIG A**
5. On back of unit, mark corresponding location 3/8" below top of unit. **FIG B**

1. Coloque la unidad en el lugar deseado.

2. Localice pie derecho de pared centro de unidad más próxima.

3. En la pared del, marque el centro de la ubicación del montante 1 "abajo la parte superior de la unidad.

4. Si un poste de la pared no se puede localizar marcar pared hueca en el centro de la unidad.

5. En el dorso de la unidad, marque la ubicación 3/8 correspondiente abajo la parte superior de la unidad.°

1. Placez l'unité à l'endroit désiré.

2. Localiser centre d'unité la plus proche de la paroi Stud.

3. Sur le mur, centre de emplacement du montant 1 "ci-dessous dessus de l'appareil de la marque.

4. Si un montant de mur ne peut pas être situé marquer mur creux au centre de l'unité.

5. Le dos de l'appareil, marquer l'emplacement 3/8 correspondant ci-dessous dessus de l'appareil.

1" (25mm)
Mark wall
Marque la pared
Marquez le mur

FIG A

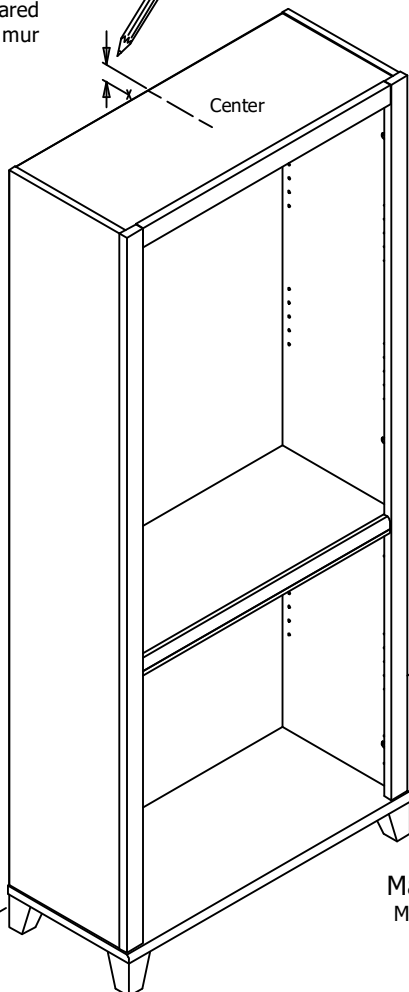
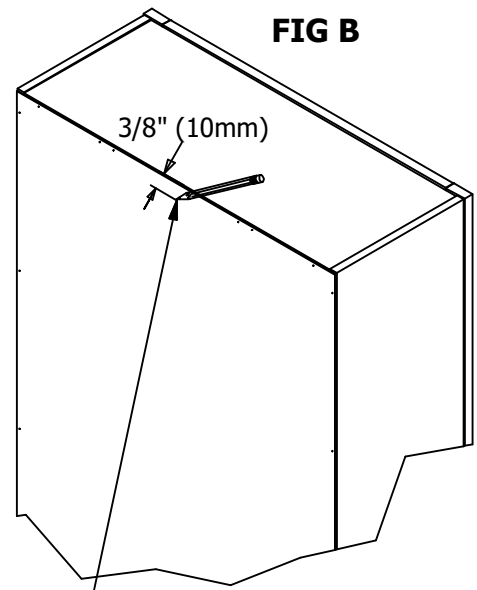
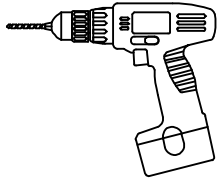


FIG B

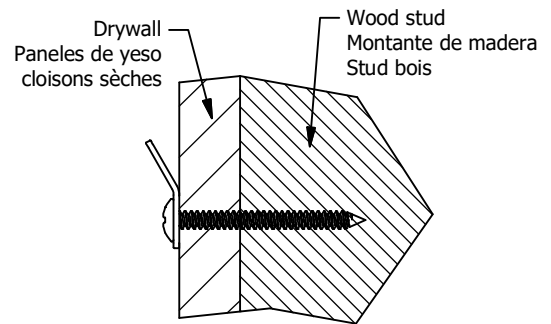
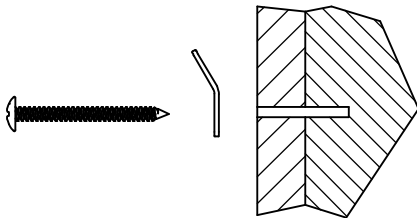
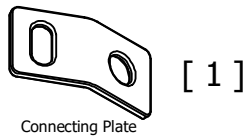
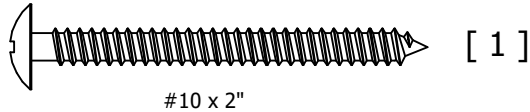


Mark back within 6" (150mm) of center.
Marcar de vuelta dentro de 6" (150mm) de centro
Mark dans les 6" (150mm) de centre.

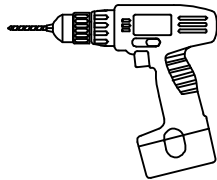


WALL STUD ATTACHMENT

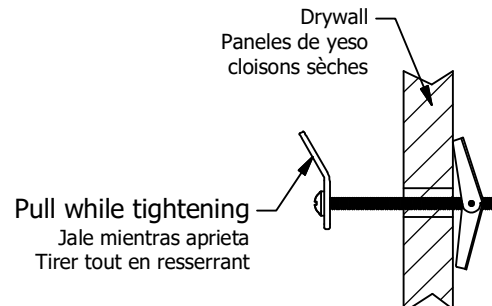
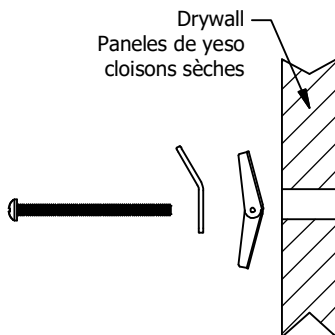
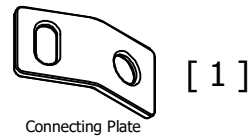
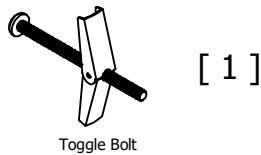
Drill 1/8" hole 1" deep at mark on wall.
 Taladro octavo hoyo 1 de profundidad en la marca en la pared.
 Perceuse 1/8 1 trou profond à la marque sur le mur.



HOLLOW WALL ATTACHMENT

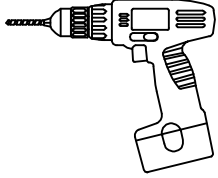
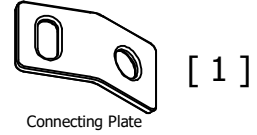
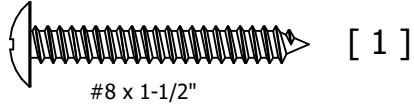


Drill 1/2" hole 1" deep at mark on wall.
 Taladro medio agujero 1 de profundidad en la marca en la pared.
 Perceuse 1/2 1 trou profond à la marque sur le mur.

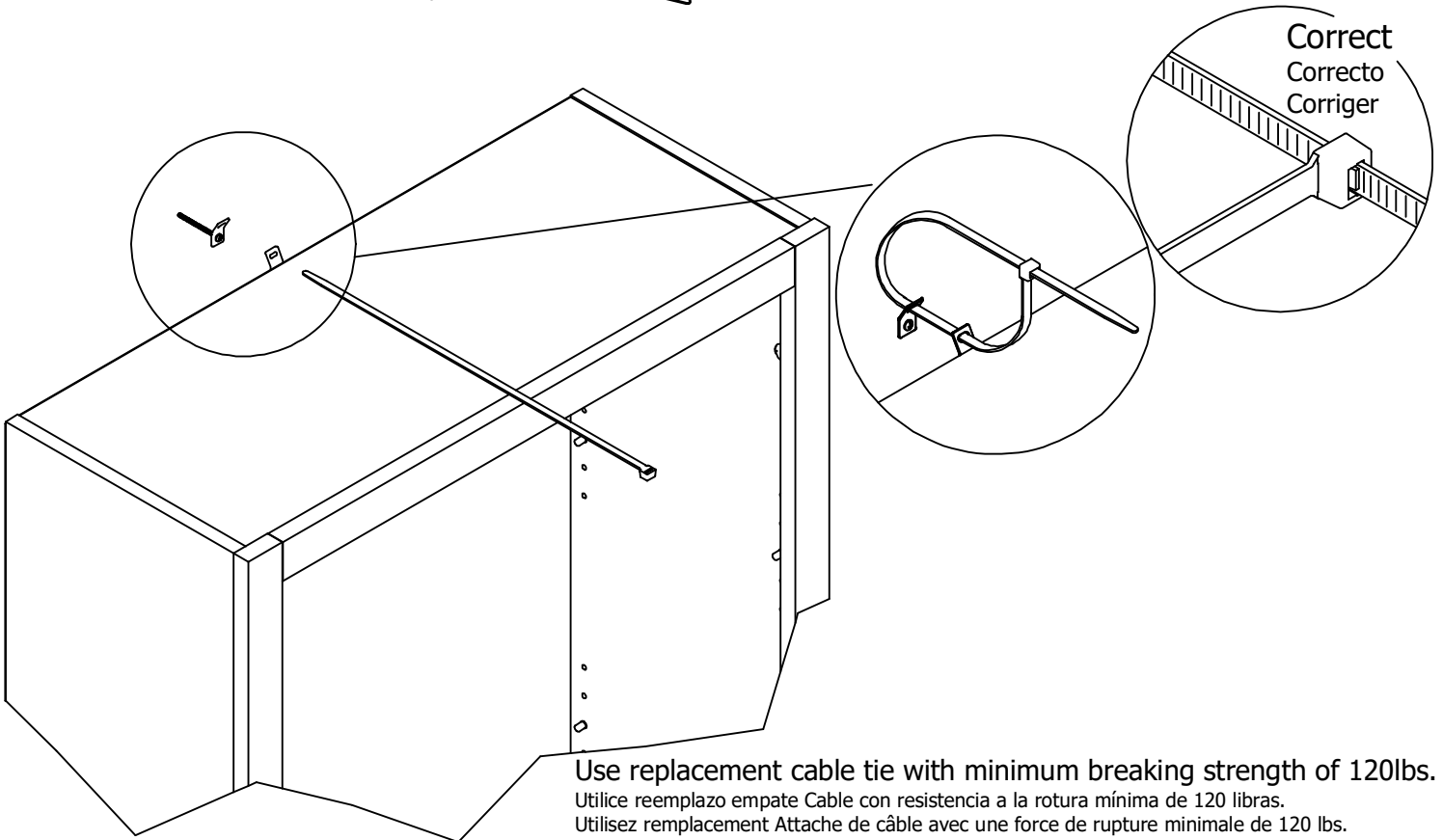
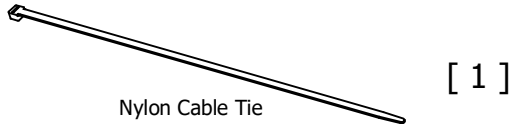
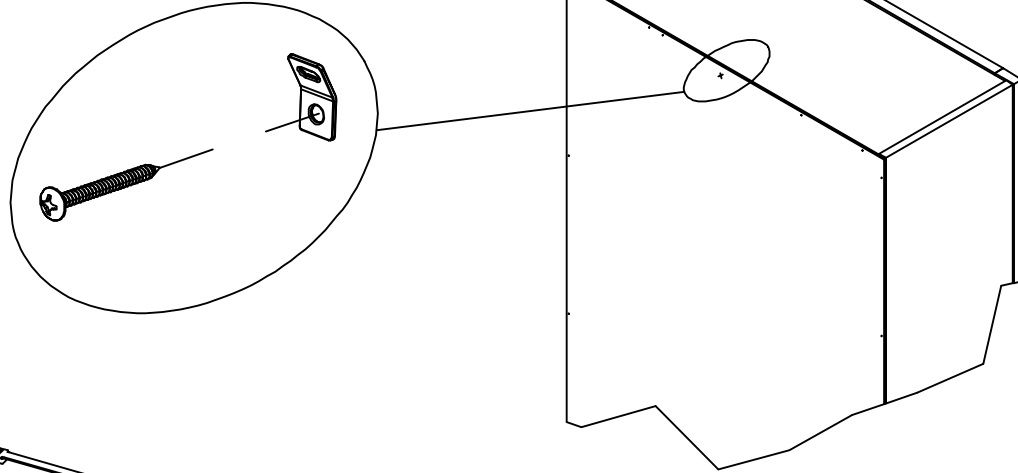


STEP 12

Attach Plate



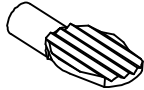
Drill 1/8" hole 1" deep at mark on unit.
Taladro 1/8 "agujero de 1" de profundidad en la marca de la unidad.
Perçer 1/8 "trou 1" de profondeur à la marque sur l'unité.



Use replacement cable tie with minimum breaking strength of 120lbs.
Utilice reemplazo empate Cable con resistencia a la rotura mínima de 120 libras.
Utilisez remplacement Attache de câble avec une force de rupture minimale de 120 lbs.

STEP 13

Insert Shelves

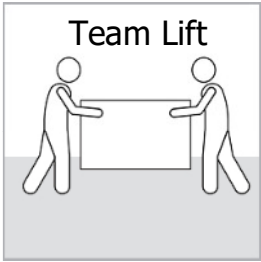


[12]

Shelf Pin

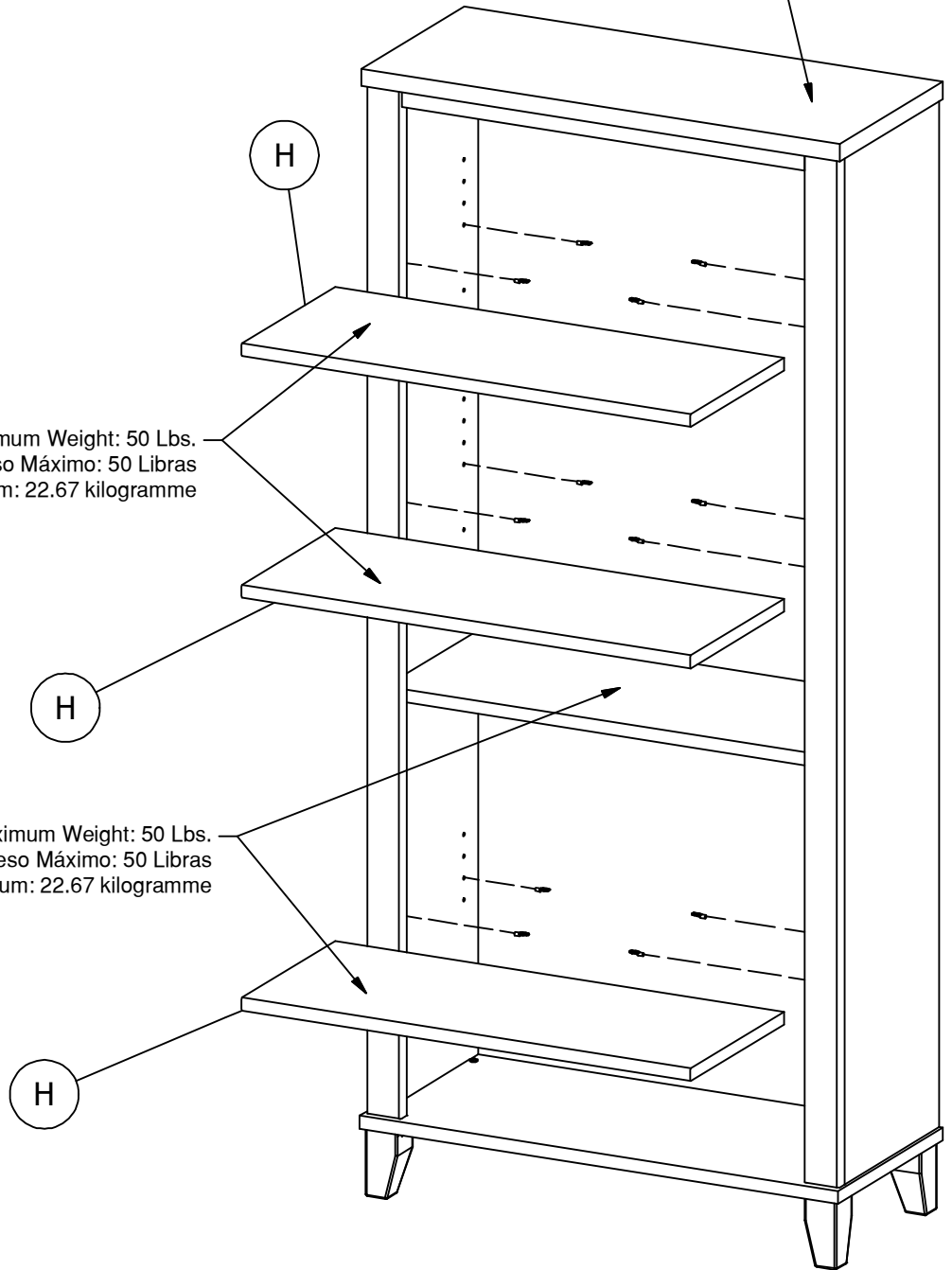
Gently clean surfaces with a damp sponge eraser.

Maximum Weight: 0 Lbs.
Peso Máximo: 0 Libras
Poids Maximum: 0 kilogramme



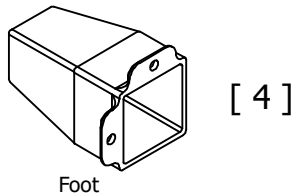
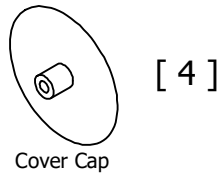
Maximum Weight: 50 Lbs.
Peso Máximo: 50 Libras
Poids Maximum: 22.67 kilogramme

Maximum Weight: 50 Lbs.
Peso Máximo: 50 Libras
Poids Maximum: 22.67 kilogramme

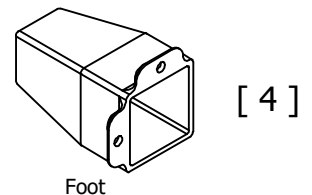


PARTS LIST

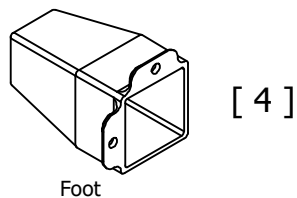
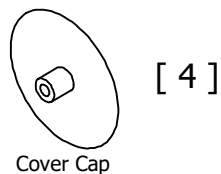
A	Top Shelf	[1]
B	Right Side Panel	[1]
C	Left Side Panel	[1]
D	Bottom Shelf	[1]
E	Back Panel	[1]
F	Side Panel Rail	[2]
G	Fixed Shelf	[1]
H	Adjustable Shelf	[3]
J	Top Shelf Apron	[1]



A	Top Shelf	[1]
B	Right Side Panel	[1]
C	Left Side Panel	[1]
D	Bottom Shelf	[1]
E	Back Panel	[1]
F	Side Panel Rail	[2]
G	Fixed Shelf	[1]
H	Adjustable Shelf	[3]
J	Top Shelf Apron	[1]

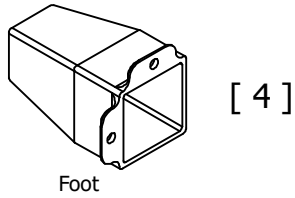
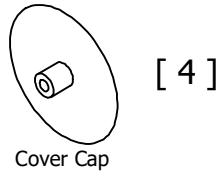


A	Top Shelf	[1]
B	Right Side Panel	[1]
C	Left Side Panel	[1]
D	Bottom Shelf	[1]
E	Back Panel	[1]
F	Side Panel Rail	[2]
G	Fixed Shelf	[1]
H	Adjustable Shelf	[3]
J	Top Shelf Apron	[1]

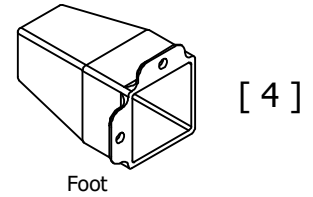
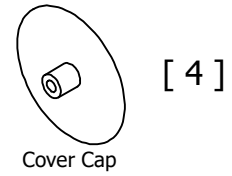


PARTS LIST

A	Top Shelf	[1]
B	Right Side Panel	[1]
C	Left Side Panel	[1]
D	Bottom Shelf	[1]
E	Back Panel	[1]
F	Side Panel Rail	[2]
G	Fixed Shelf	[1]
H	Adjustable Shelf	[3]
J	Top Shelf Apron	[1]

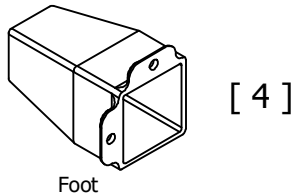
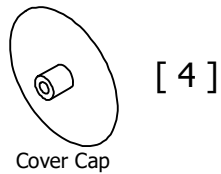


A	Top Shelf	[1]
B	Right Side Panel	[1]
C	Left Side Panel	[1]
D	Bottom Shelf	[1]
E	Back Panel	[1]
F	Side Panel Rail	[2]
G	Fixed Shelf	[1]
H	Adjustable Shelf	[3]
J	Top Shelf Apron	[1]

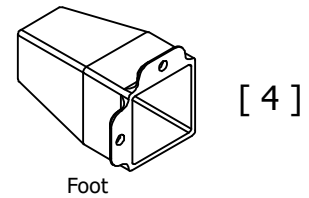
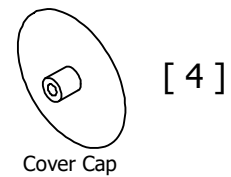


PARTS LIST

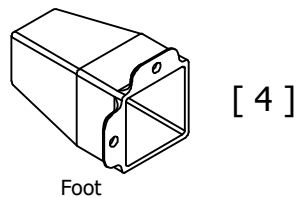
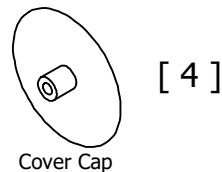
A	Top Shelf	[1]
B	Right Side Panel	[1]
C	Left Side Panel	[1]
D	Bottom Shelf	[1]
E	Back Panel	[1]
F	Side Panel Rail	[2]
G	Fixed Shelf	[1]
H	Adjustable Shelf	[3]
J	Top Shelf Apron	[1]



A	Top Shelf	[1]
B	Right Side Panel	[1]
C	Left Side Panel	[1]
D	Bottom Shelf	[1]
E	Back Panel	[1]
F	Side Panel Rail	[2]
G	Fixed Shelf	[1]
H	Adjustable Shelf	[3]
J	Top Shelf Apron	[1]

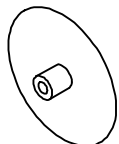


A	Top Shelf	[1]
B	Right Side Panel	[1]
C	Left Side Panel	[1]
D	Bottom Shelf	[1]
E	Back Panel	[1]
F	Side Panel Rail	[2]
G	Fixed Shelf	[1]
H	Adjustable Shelf	[3]
J	Top Shelf Apron	[1]



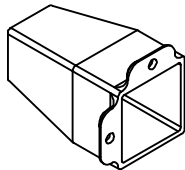
PARTS LIST

A	Top Shelf	[1]
B	Right Side Panel	[1]
C	Left Side Panel	[1]
D	Bottom Shelf	[1]
E	Back Panel	[1]
F	Side Panel Rail	[2]
G	Fixed Shelf	[1]
H	Adjustable Shelf	[3]
J	Top Shelf Apron	[1]



[4]

Cover Cap



[4]

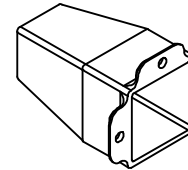
Foot

A	Top Shelf	[1]
B	Right Side Panel	[1]
C	Left Side Panel	[1]
D	Bottom Shelf	[1]
E	Back Panel	[1]
F	Side Panel Rail	[2]
G	Fixed Shelf	[1]
H	Adjustable Shelf	[3]
J	Top Shelf Apron	[1]



[4]

Cover Cap



[4]

Foot