

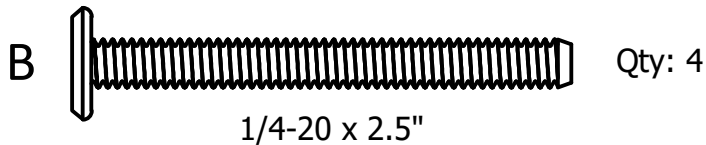
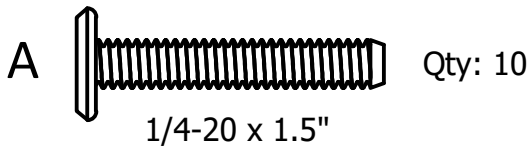
Stackable Chaise Lounge

Assembly Guide

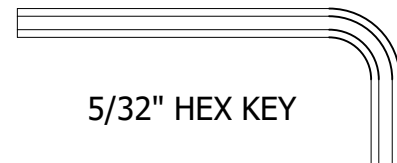


*Actual Style May Vary from
the One Pictured in this Guide

HARDWARE INCLUDED

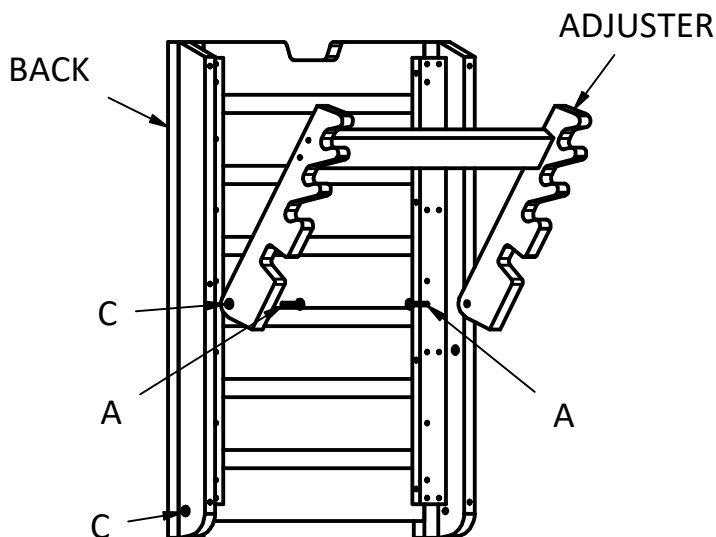


TOOLS INCLUDED



IMPORTANT!

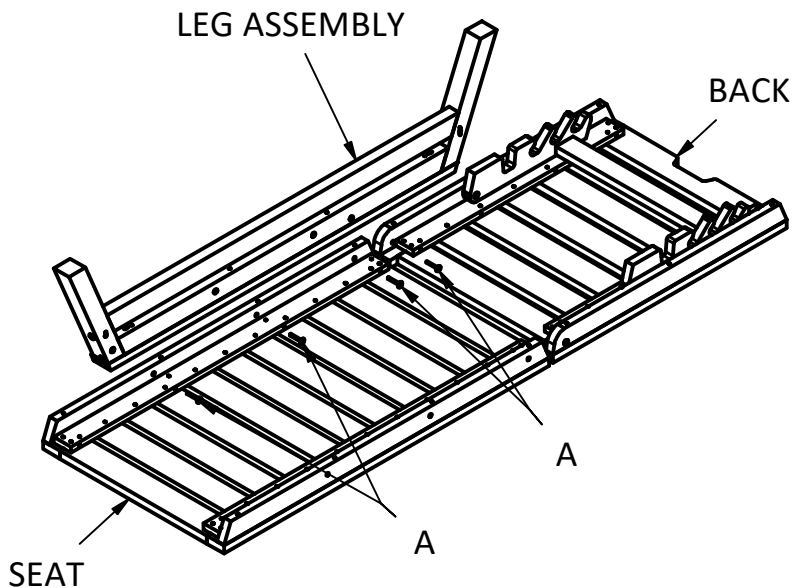
DO NOT fully tighten bolts until all bolts are started.



STEPS 1-2

Attach Adjuster to Back using (2) A Bolts and (2) C Barrel Washers - Washers go between the Adjuster and Back.

Place (1) C Barrel Washer on the outside of each side of the Back Assembly.

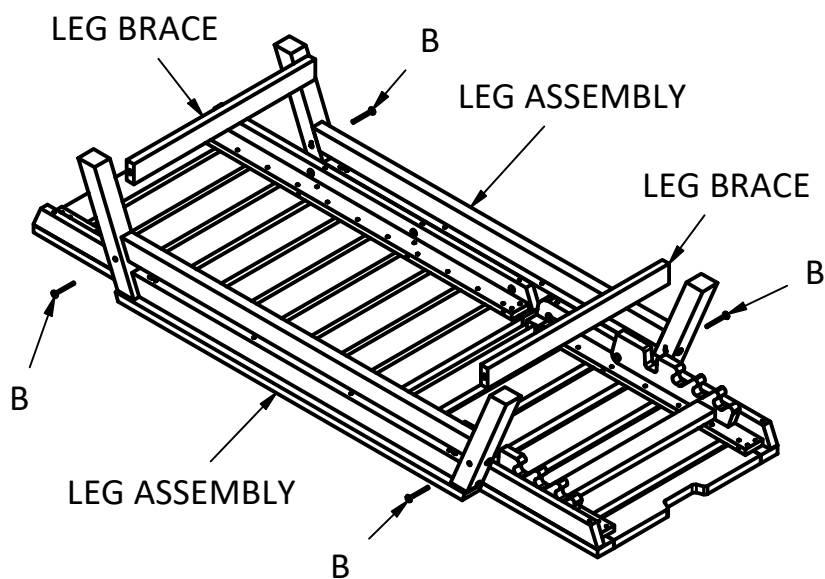


STEP 3-4-5

Lay Back and Seat face down.

Attach Leg Assembly using (4) A bolts.

Repeat on other side.



STEP 6-7

Attach Leg Braces to Leg Assemblies using (4) B bolts

Assembly is complete.

IMPORTANT NOTE!

NEVER adjust the level of the recline while you are sitting on the chaise, or while anyone else is on the chaise. Always adjust with an empty chaise and ensure the adjuster is completely secure in the recline slots on each side.

