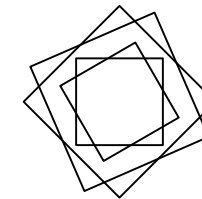
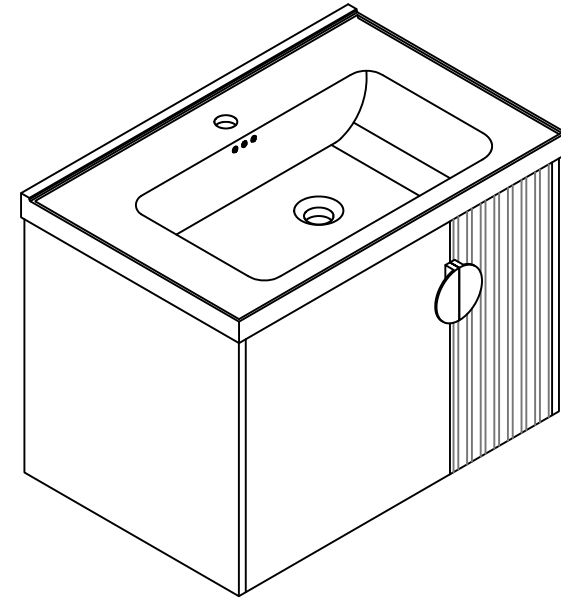


THANKS FOR WATCHING










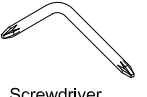
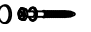


Your feedback is invaluable to us and we would love to hear about your experience. Please take the time to leave us a review.



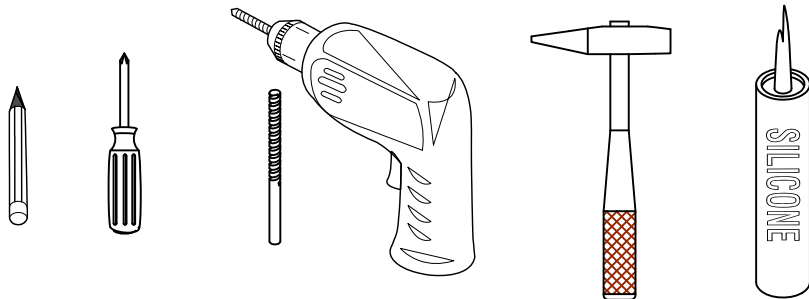
Thank you for shopping with us!

We encourage you to take a few minutes to go through this booklet. It contains important information on installation and care tips to keep your furniture looking as good as new.

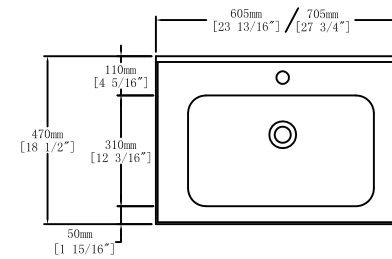
Hardware

NO.	Draw	QTY	NO.	Draw	QTY
A	 Screws Ø4x14mm	44	I	 Hinges (Internal hiding)	4
B	 Two-in-one connector	17	J	 Handles	2
C	 Two-in-one connector	17	K	 Screws M4x22mm	4
D	 Wood plug	4	L	 Anti-collision gasket	4
E	 Plastic anchor(Ø10mm)	4	M	 Screwdriver	1
F	 Screws for fix on the wall	4			
G	 Bracket (53x70x44mm)	2			
H	 Bracket (19x19x35mm)	2			

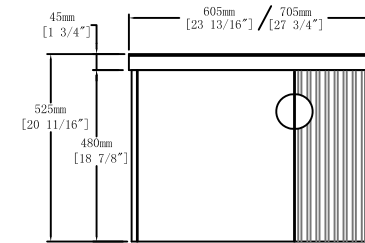
Recommended tools



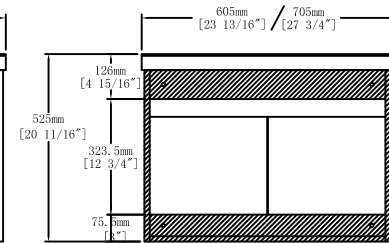
Dimensions



Top View



Front View



Back View

CARE CLEANING AND MAINTENANCE

1. Dust regularly with a soft , dry cloth.
2. Avoid the use of all chemicals household cleaners, abrasives, or cleaners that contain lemon, vinegar, or other acids that may damage the finish.
3. Excessive exposure to sunlight and extreme changes in temperature and moisture can damage wood furniture.
4. The sink top is resilient, but care needs to be taken to preserve its appearance.
5. Do not place hot appliances, such as curling irons and hot hair dryers directly on the countertop. Wipe spills immediately.

Step 1

Attention: Cam lock arrow point to the steel rod.

Notes: Screw installation depth as shown

- Screw x3
- B x3
- C x3
- M x1

Step 2

Note: The D parts are used for these two holes

first step second step third step

- Screw x3
- B x3
- C x3
- D x2
- M x1

Step 11

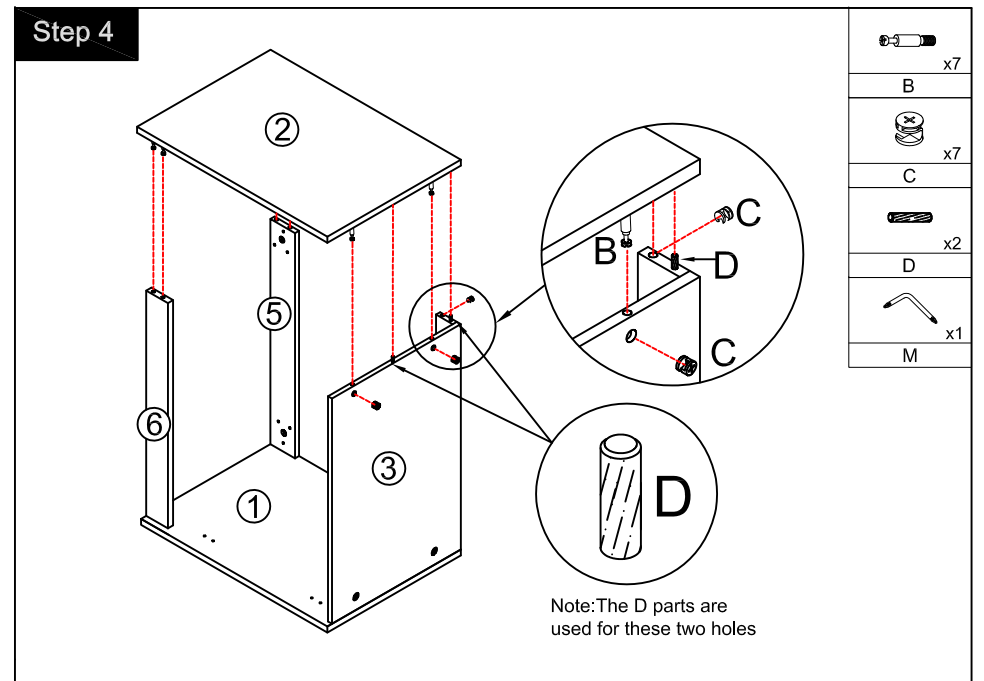
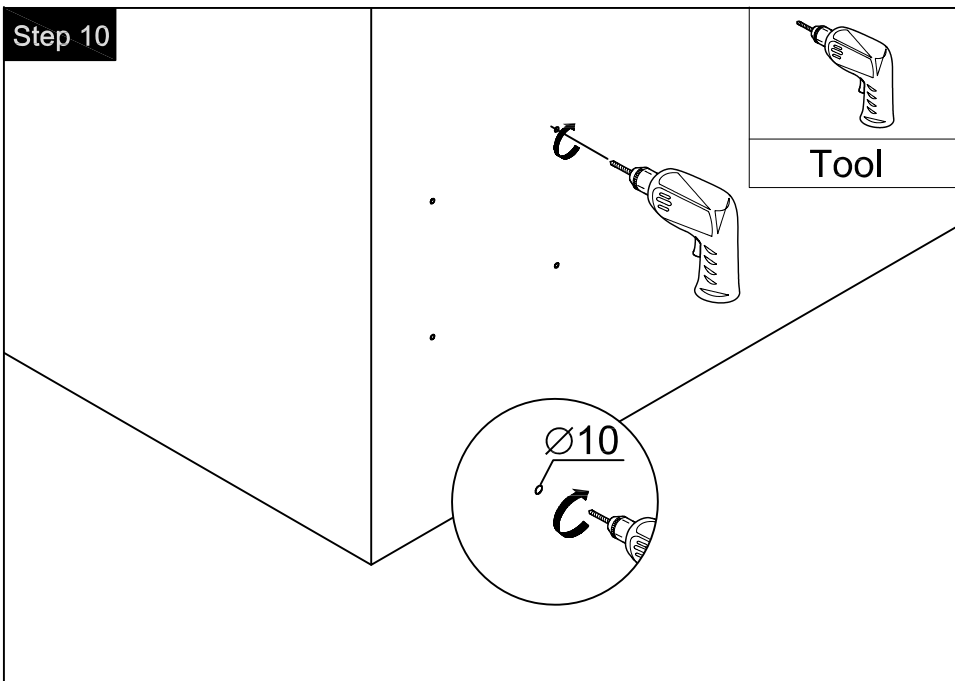
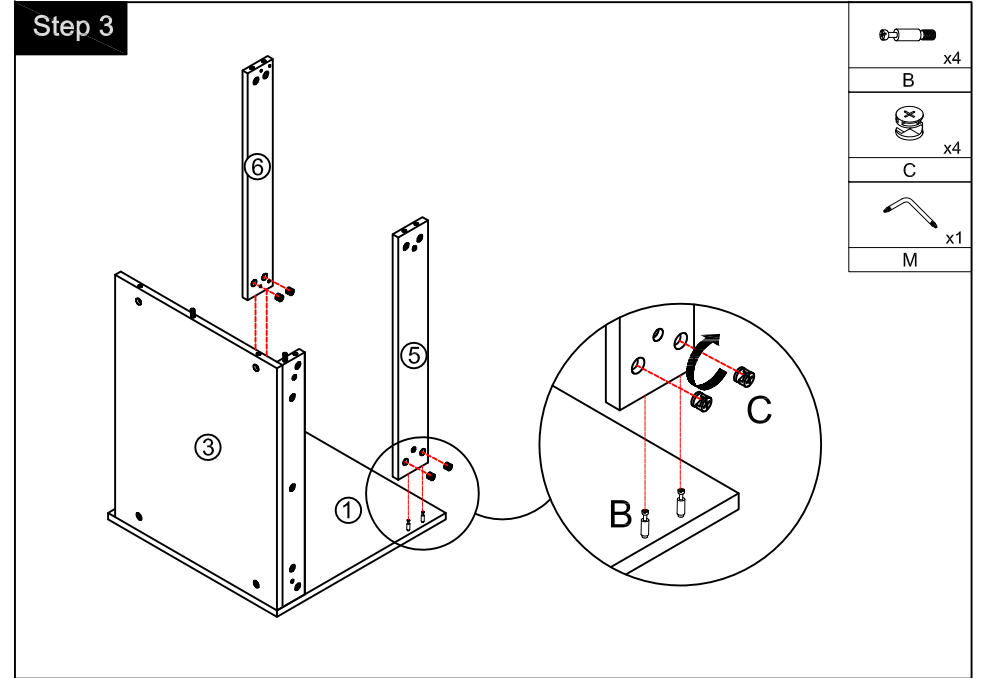
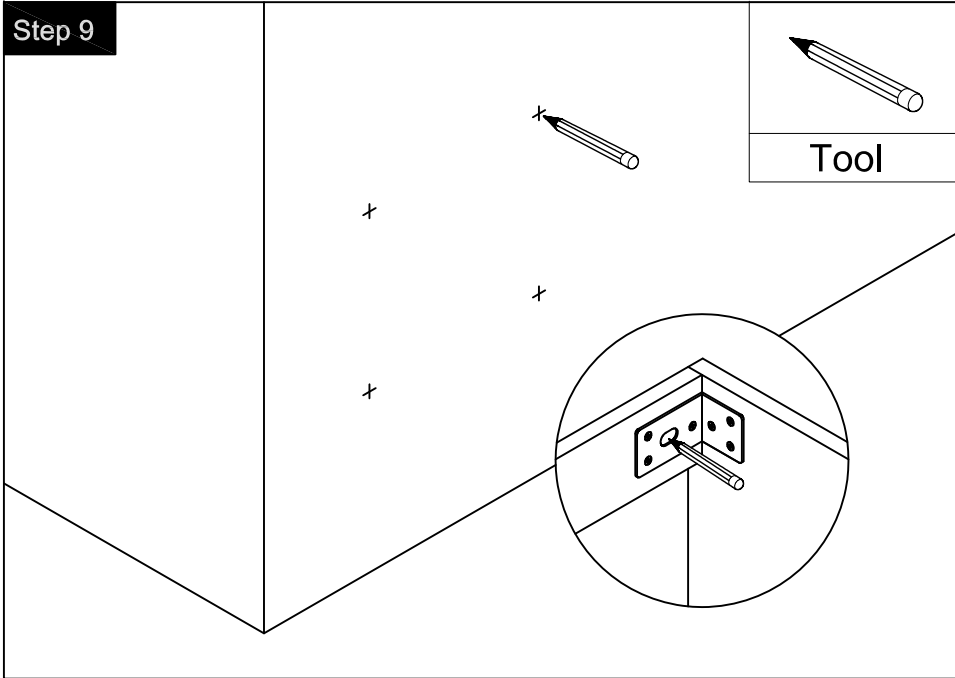
Notes: Screw installation depth as shown

- Screw x4
- E x4
- Tool

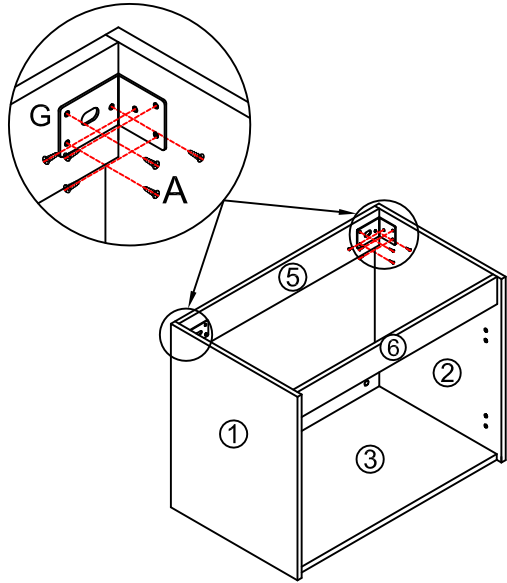
Step 12




Notes: Screw installation depth as shown

- Screw x4
- F x4
- Tool

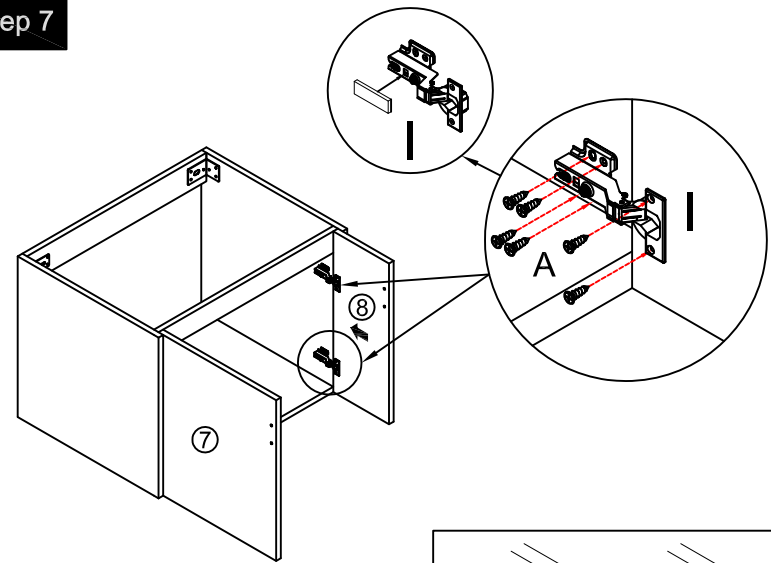





Step 5



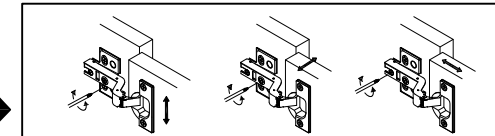
	x2
G	
(∅4 x 14mm)	
	x12
A	
	
Tool	

Step 7

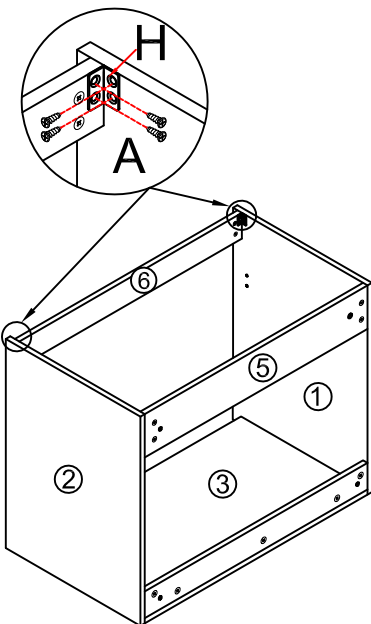





	x4
I	
(∅4 x 14mm)	
	x24
A	
	
Tool	

You can adjust the doors by tightening or loosening the screws on the hinge. →

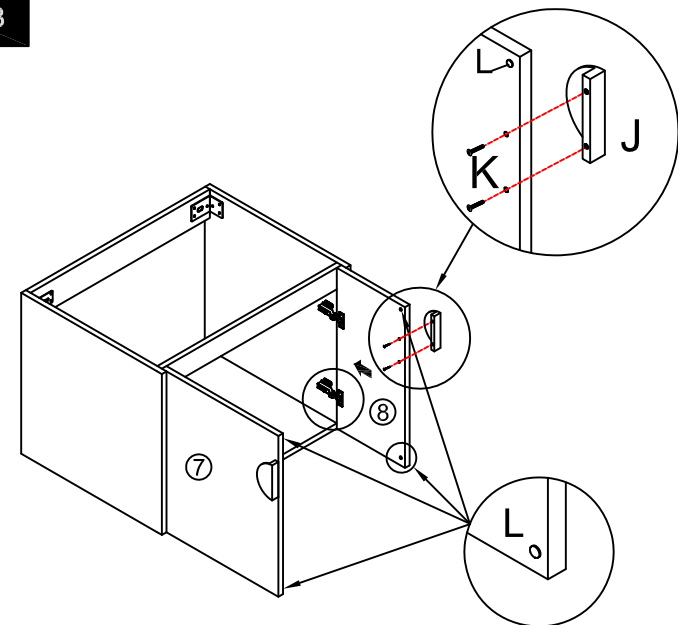






Step 6



	x2
H	
(∅4 x 14mm)	
	x8
A	
	
Tool	

Step 8



	x2
J	
(M4 x 22mm)	
	x4
K	
	x4
L	
	
M	