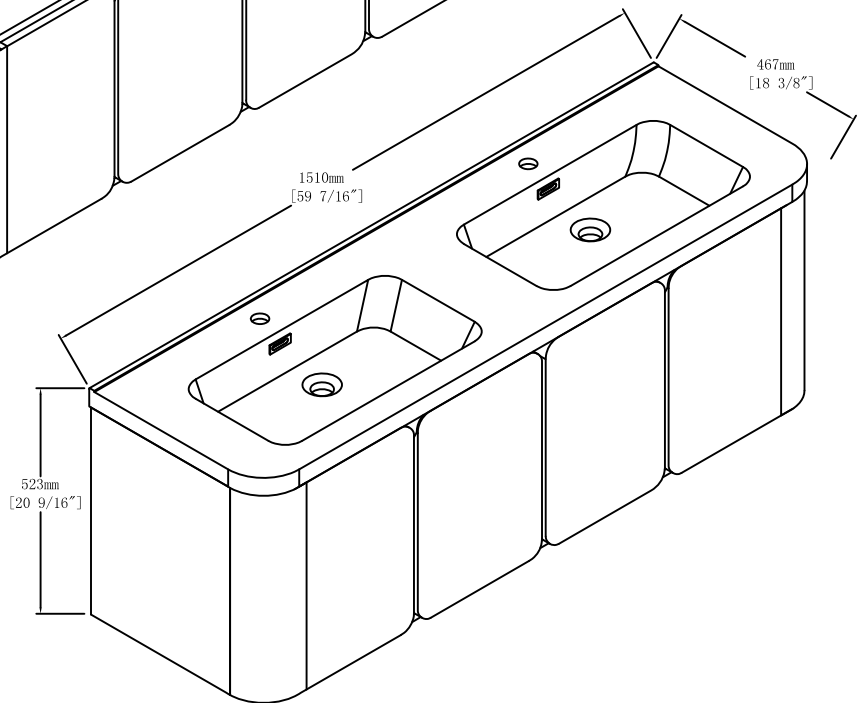
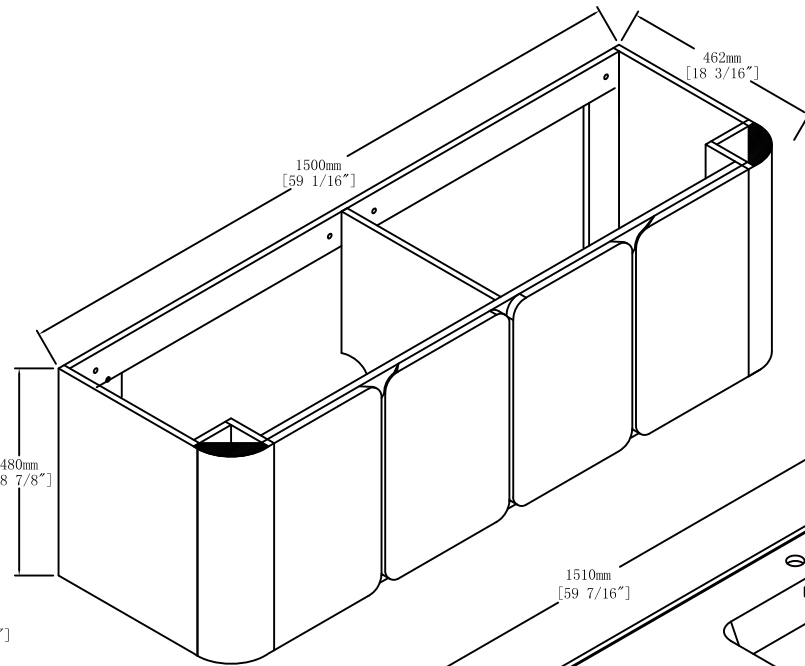
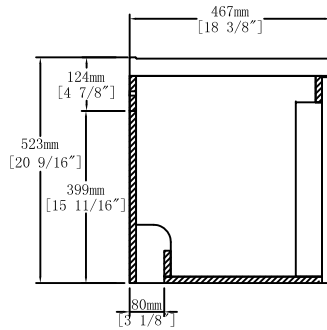
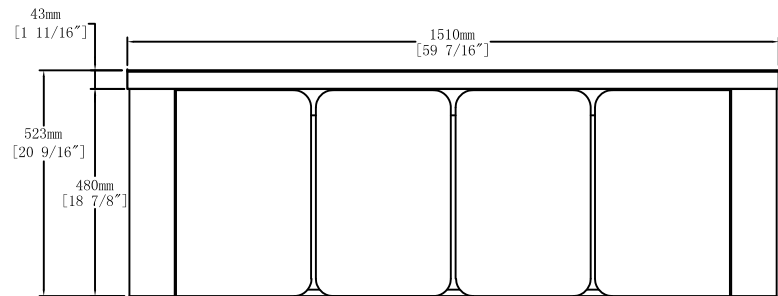


Top View



Item NO.

BV H12460D

Version

V1

Project

Date

2025-10-28